



US00D436206S

(12) **United States Design Patent**
Huang et al.

(10) **Patent No.:** **US D436,206 S**

(45) **Date of Patent:** **** Jan. 9, 2001**

(54) **DUAL HEAD SWIVEL LAMP**

DESCRIPTION

(76) Inventors: **Thomas M. Huang**, 5649 N. Peck Rd.;
Kristine K. Huang, 512 Gloria Rd.,
both of Arcadia, CA (US) 91006

(**) Term: **14 Years**

(21) Appl. No.: **29/121,636**

(22) Filed: **Apr. 10, 2000**

(51) **LOC (7) Cl.** **26-05**

(52) **U.S. Cl.** **D26/65**

(58) **Field of Search** D26/60-66, 102,
D26/106, 107, 108, 109; 362/410-414,
269, 271, 272, 275, 281, 282, 285, 287,
418, 419, 427, 341, 347, 350, 361

(56) **References Cited**

U.S. PATENT DOCUMENTS

- D. 339,206 * 9/1993 Kramer D26/102
- D. 424,233 * 5/2000 Wang D26/102
- 5,632,553 * 5/1997 Huang 362/410

OTHER PUBLICATIONS

Abitare magazine Dec. 1988, p. 214, table lamp.*

* cited by examiner

Primary Examiner—Susan J. Lucas

(74) *Attorney, Agent, or Firm*—Sheldon & Mak

(57) **CLAIM**

The ornamental design for the dual head swivel lamp, as shown and described.

FIG. 1 is a perspective view of the dual head swivel lamp of the subject invention;

FIG. 2 is a front view of the lamp of FIG. 1;

FIG. 3 is a rear view of the lamp of FIG. 1;

FIG. 4 is a left side view of the lamp of FIG. 1;

FIG. 5 is a right side view of the lamp of FIG. 1;

FIG. 6 is a top view of the lamp of FIG. 1;

FIG. 7 is a bottom view of the lamp of FIG. 1;

FIG. 8 is a perspective view of the lamp of FIG. 1, showing one of the arms of the lamp rotated to a new position, and one of the lamp head swivelled to be in-line with the arm, and with the lamp head further rotated to a new position;

FIG. 9 is another perspective view of the lamp of claim 1, with the two arms and the two lamp heads swivelled to new positions;

FIG. 10 is a perspective view of an alternative preferred embodiment of the dual head swivel lamp of the current invention;

FIG. 11 is a front view of the lamp of FIG. 10;

FIG. 12 is a rear view of the lamp of FIG. 10;

FIG. 13 is a left side view of the lamp of FIG. 10;

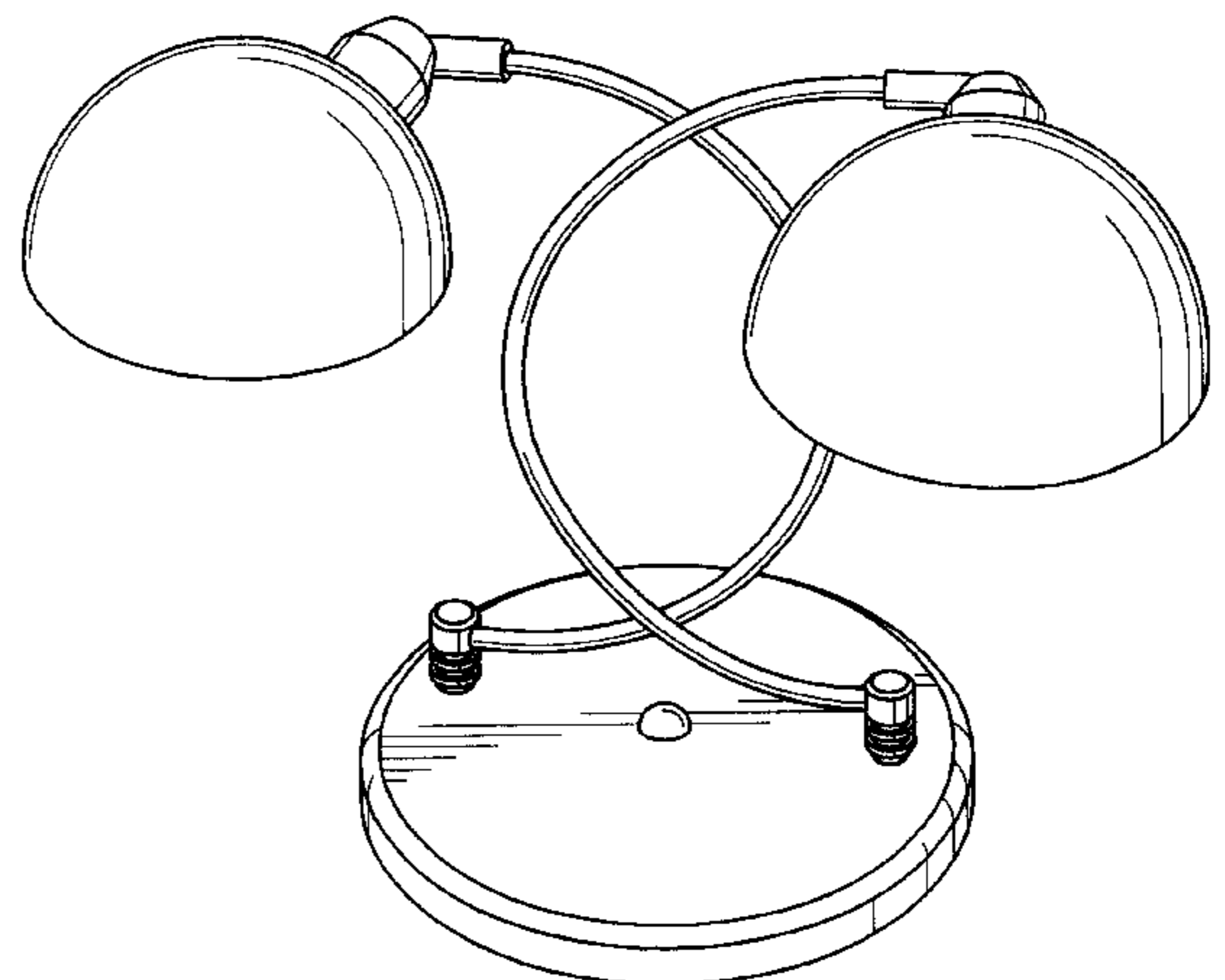
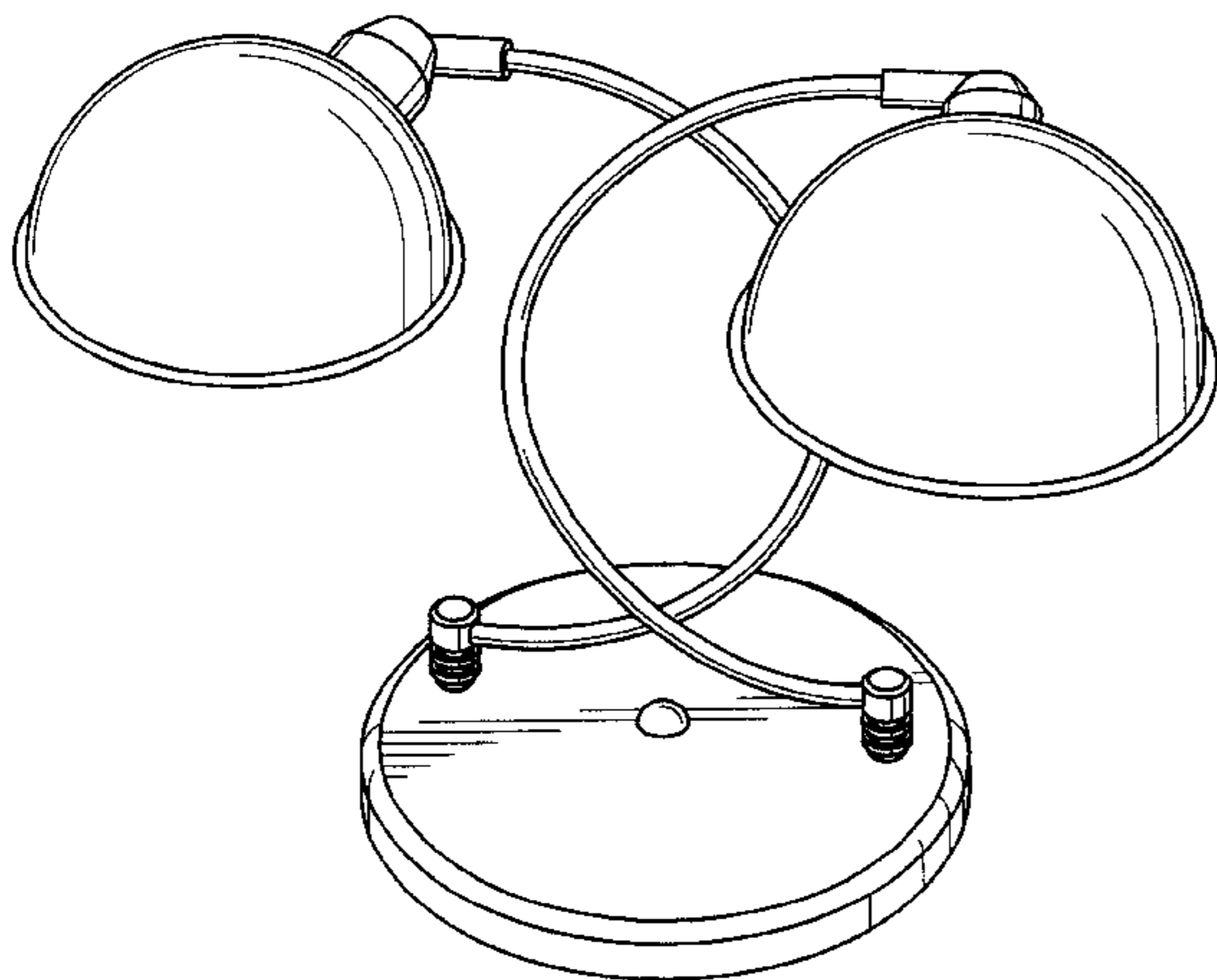
FIG. 14 is a right side view of the lamp of FIG. 10;

FIG. 15 is a top view of the lamp of FIG. 10;

FIG. 16 is a bottom view of the lamp of FIG. 10; and,

FIG. 17 is another perspective view of the lamp of FIG. 10, with two arms and the two lamp heads swivelled to new positions.

1 Claim, 6 Drawing Sheets



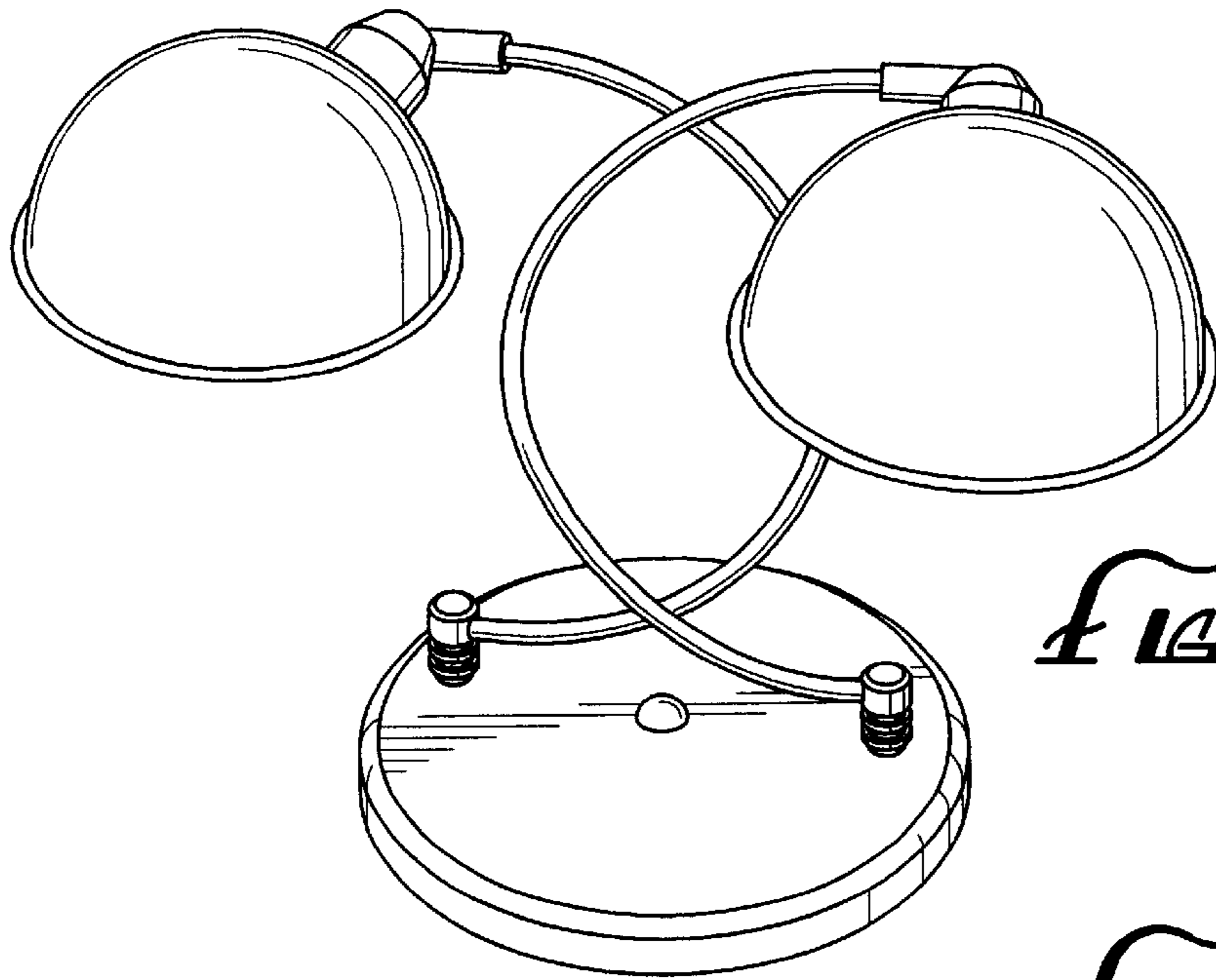


FIG. 1

FIG. 2

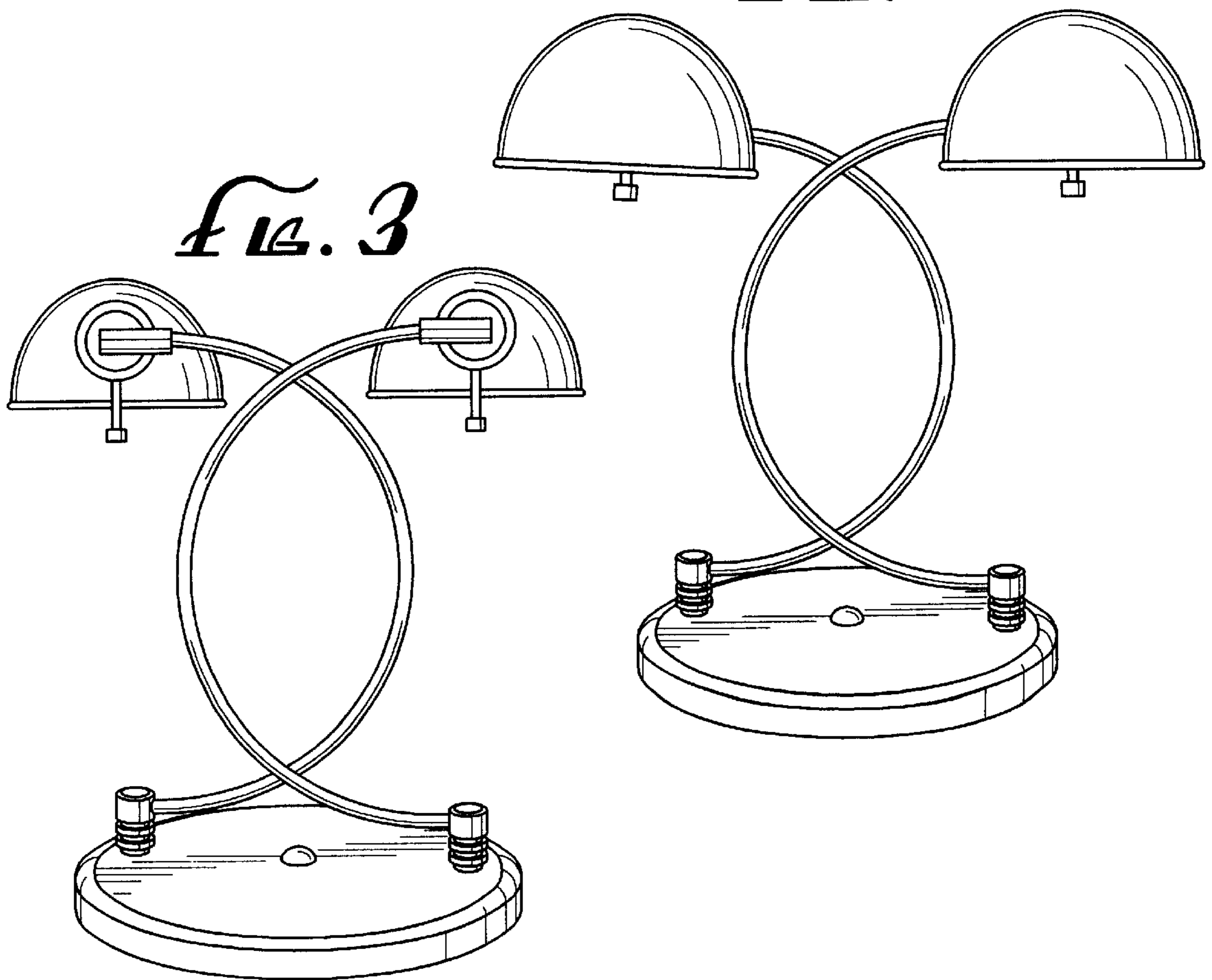


FIG. 3

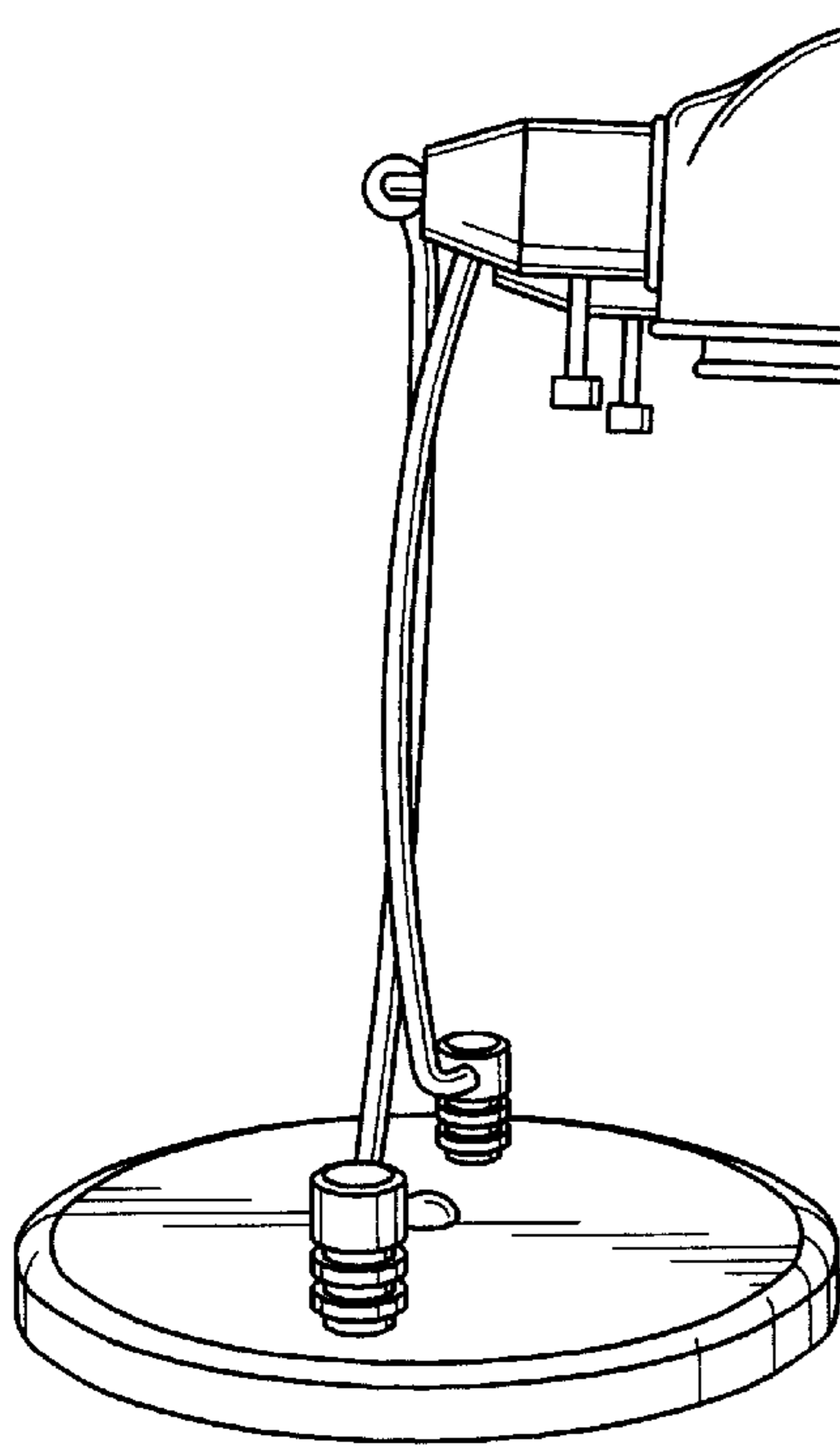


FIG. 4

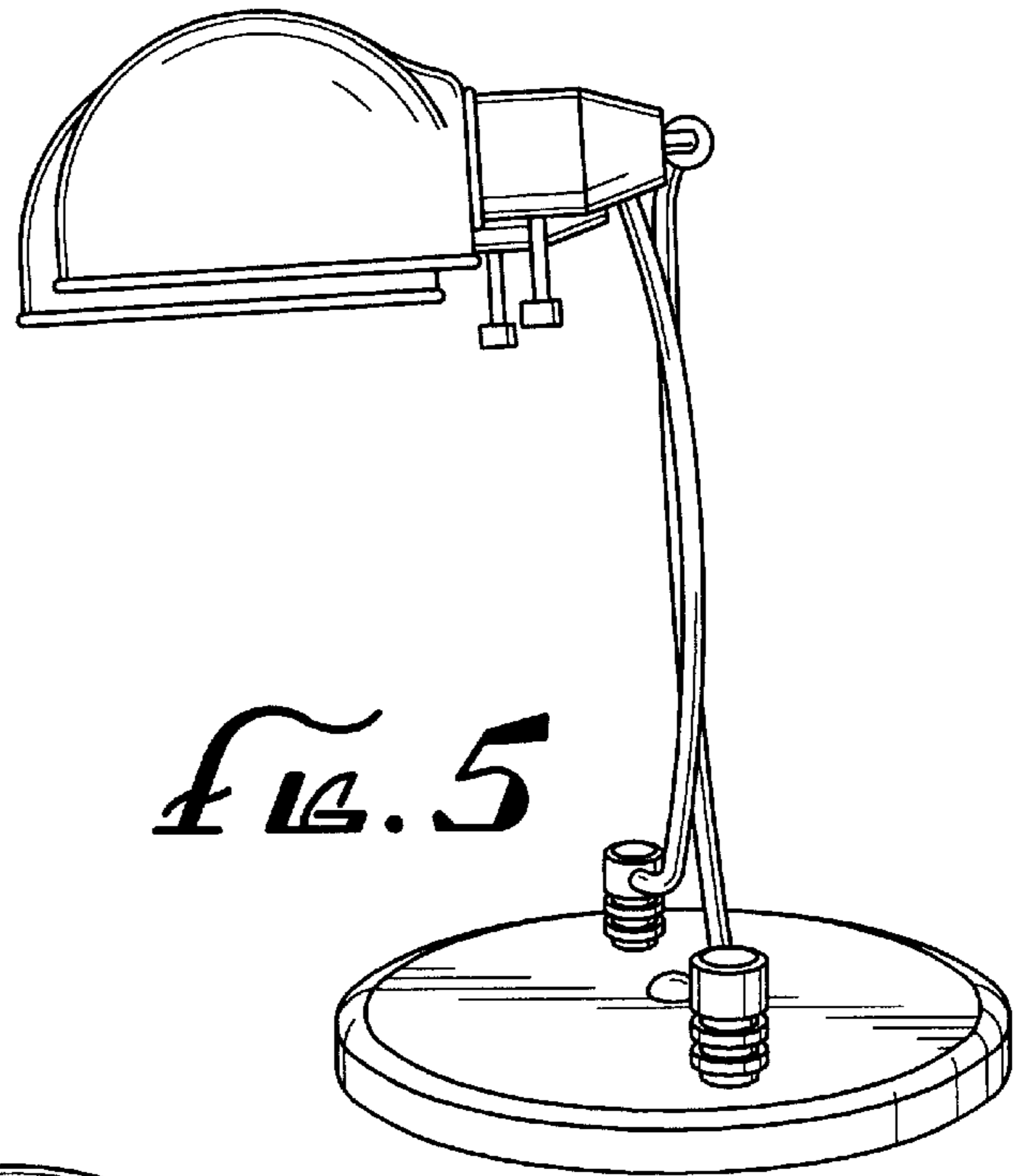
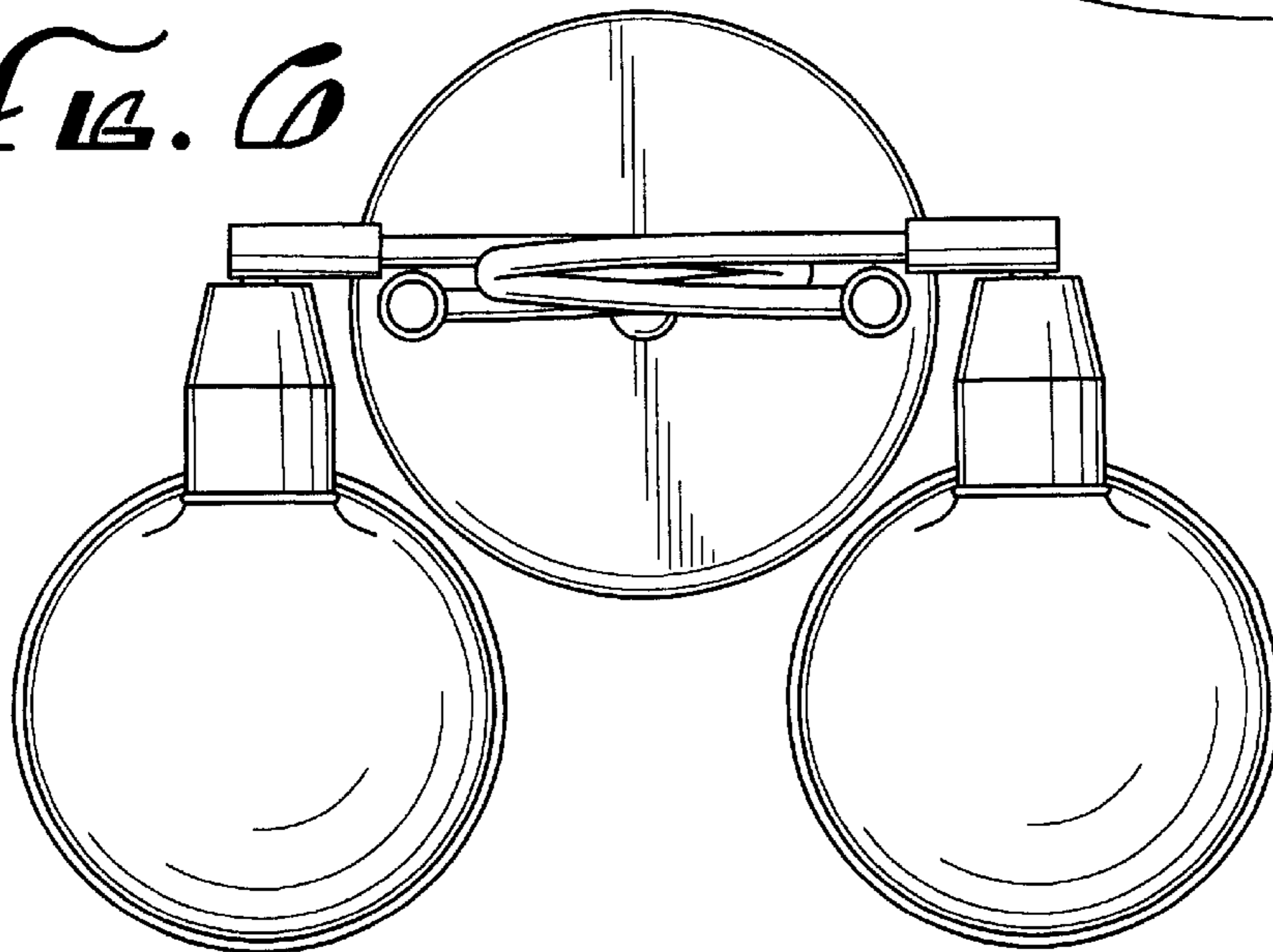


FIG. 5

FIG. 6



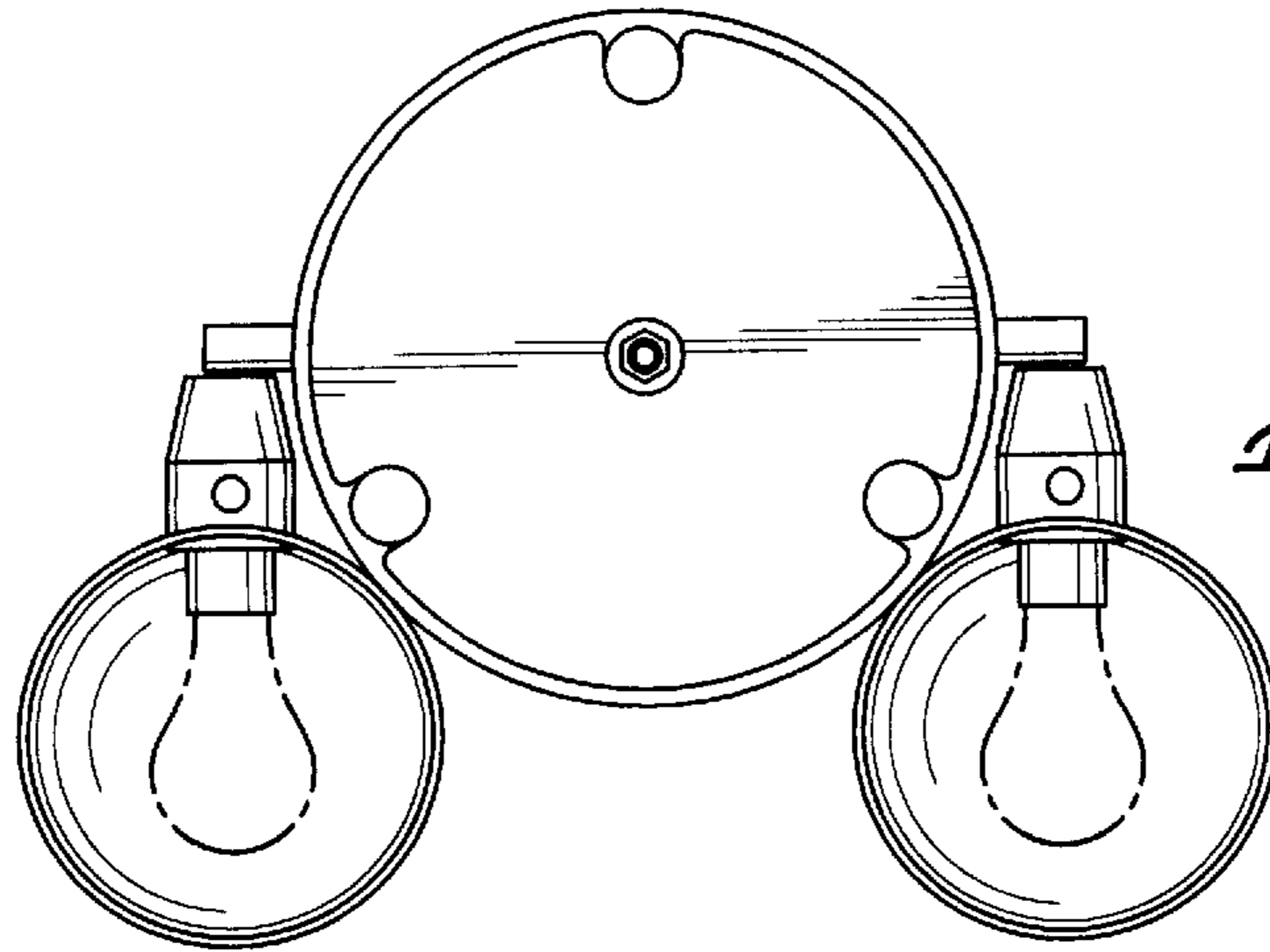


Fig. 7

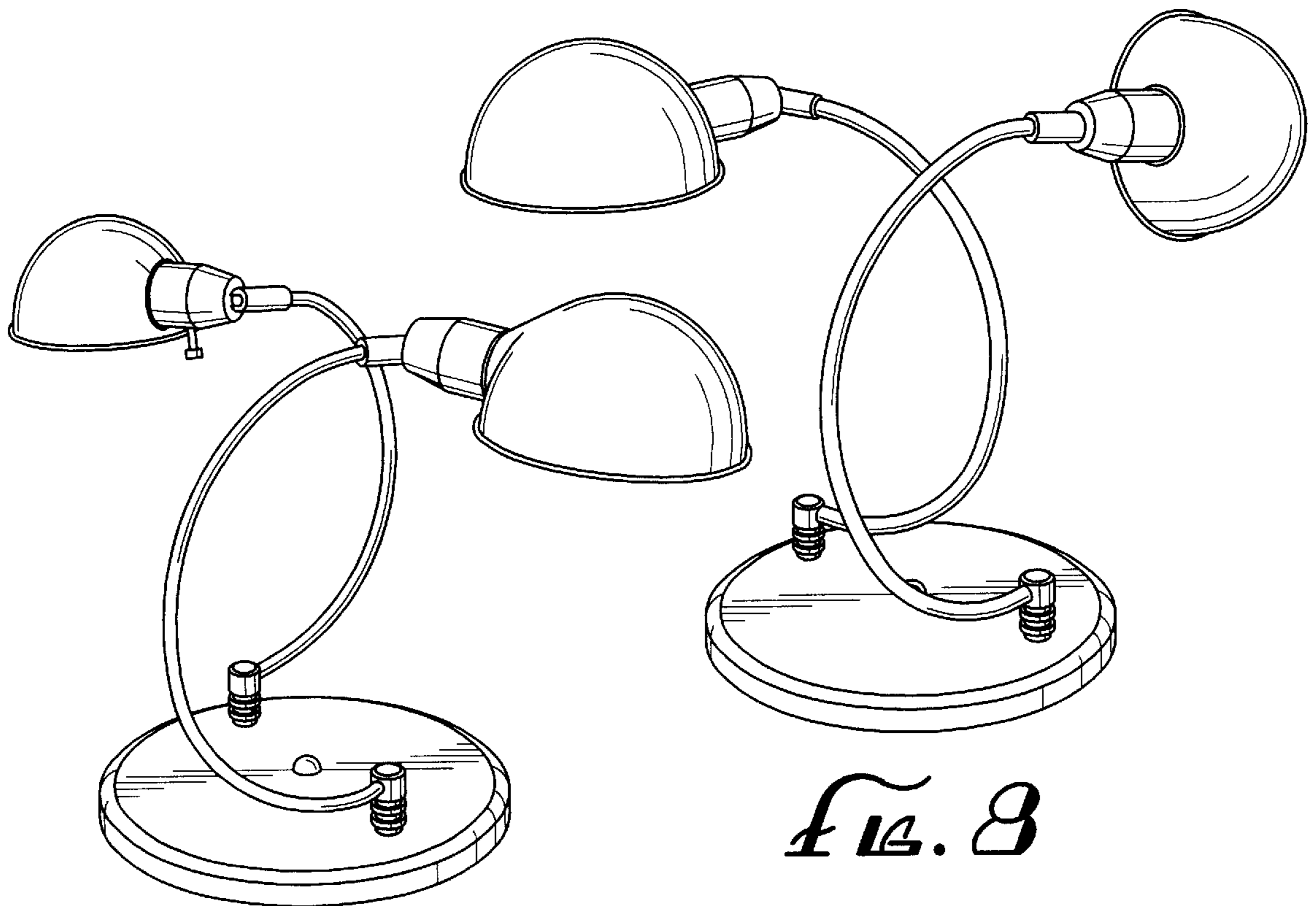


Fig. 8

Fig. 9

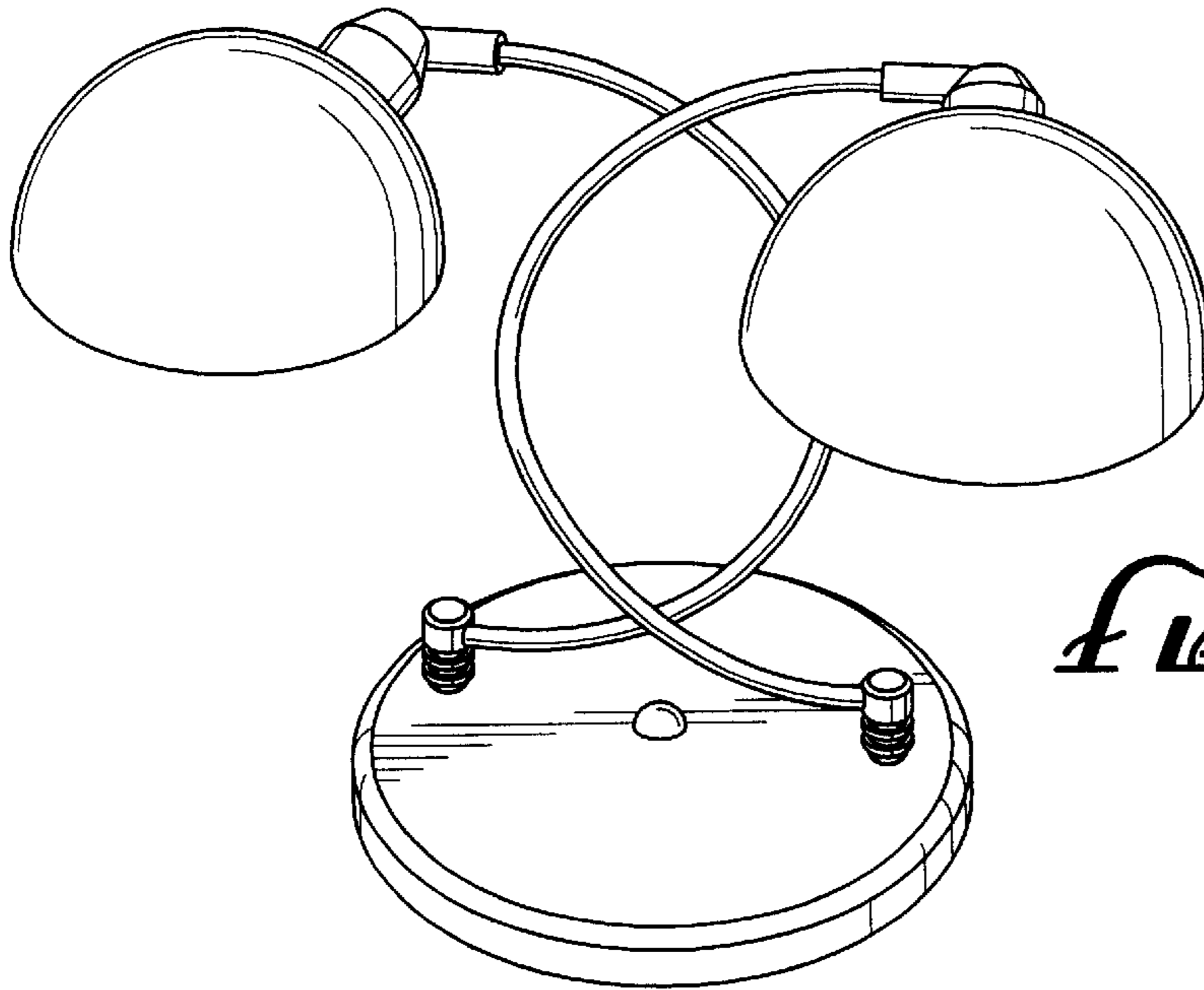


FIG. 10

FIG. 11

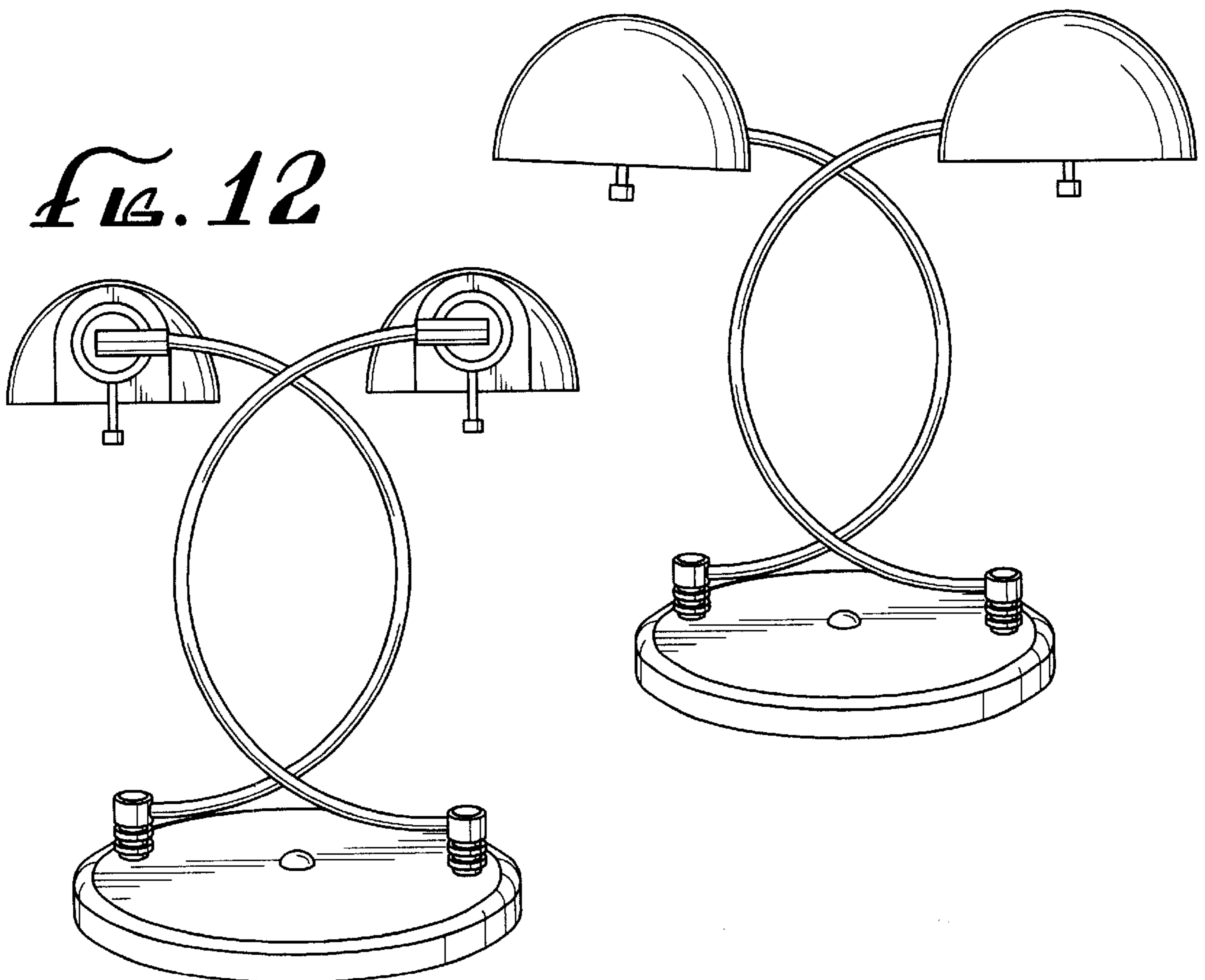


FIG. 12

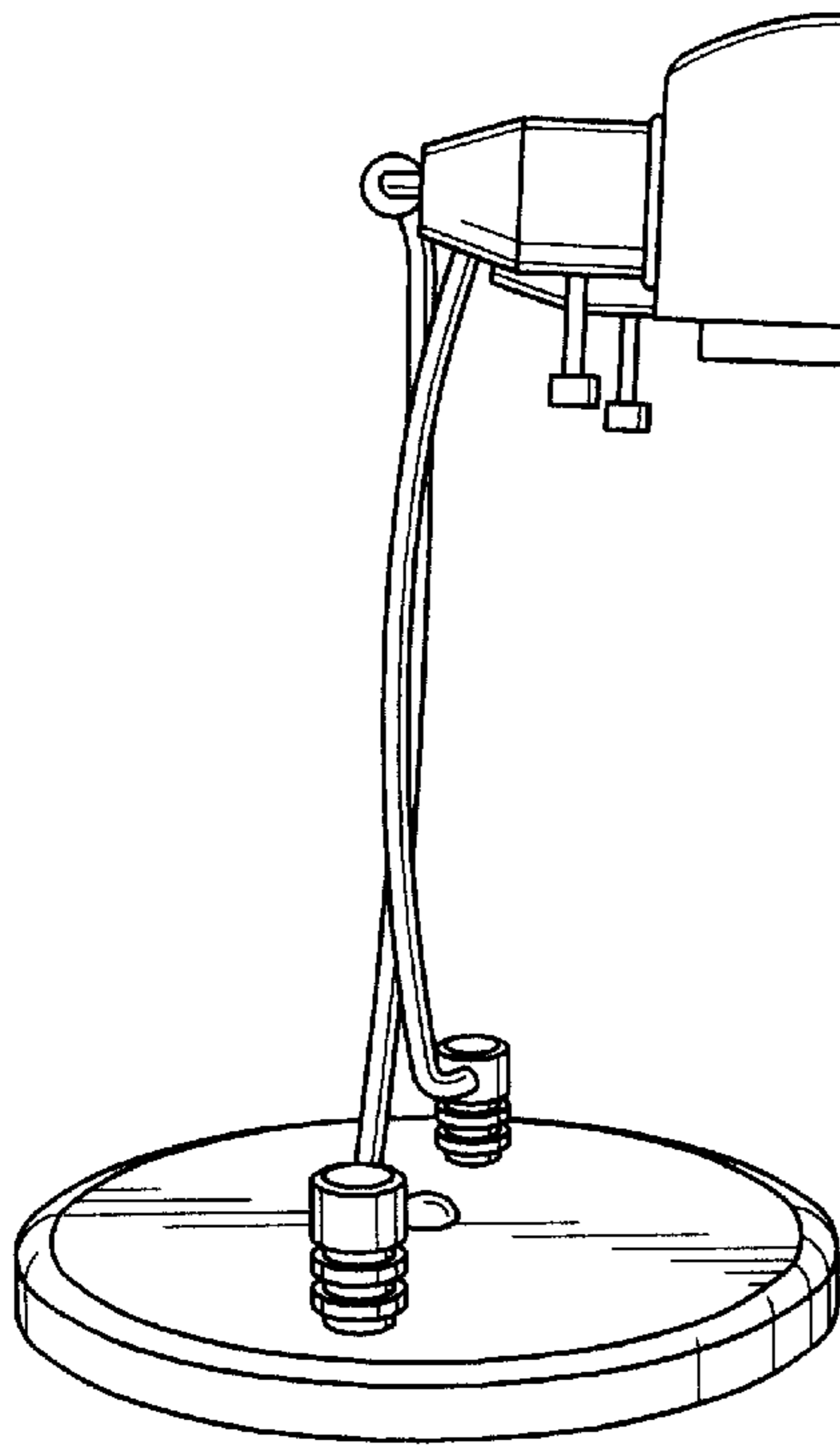


FIG. 13

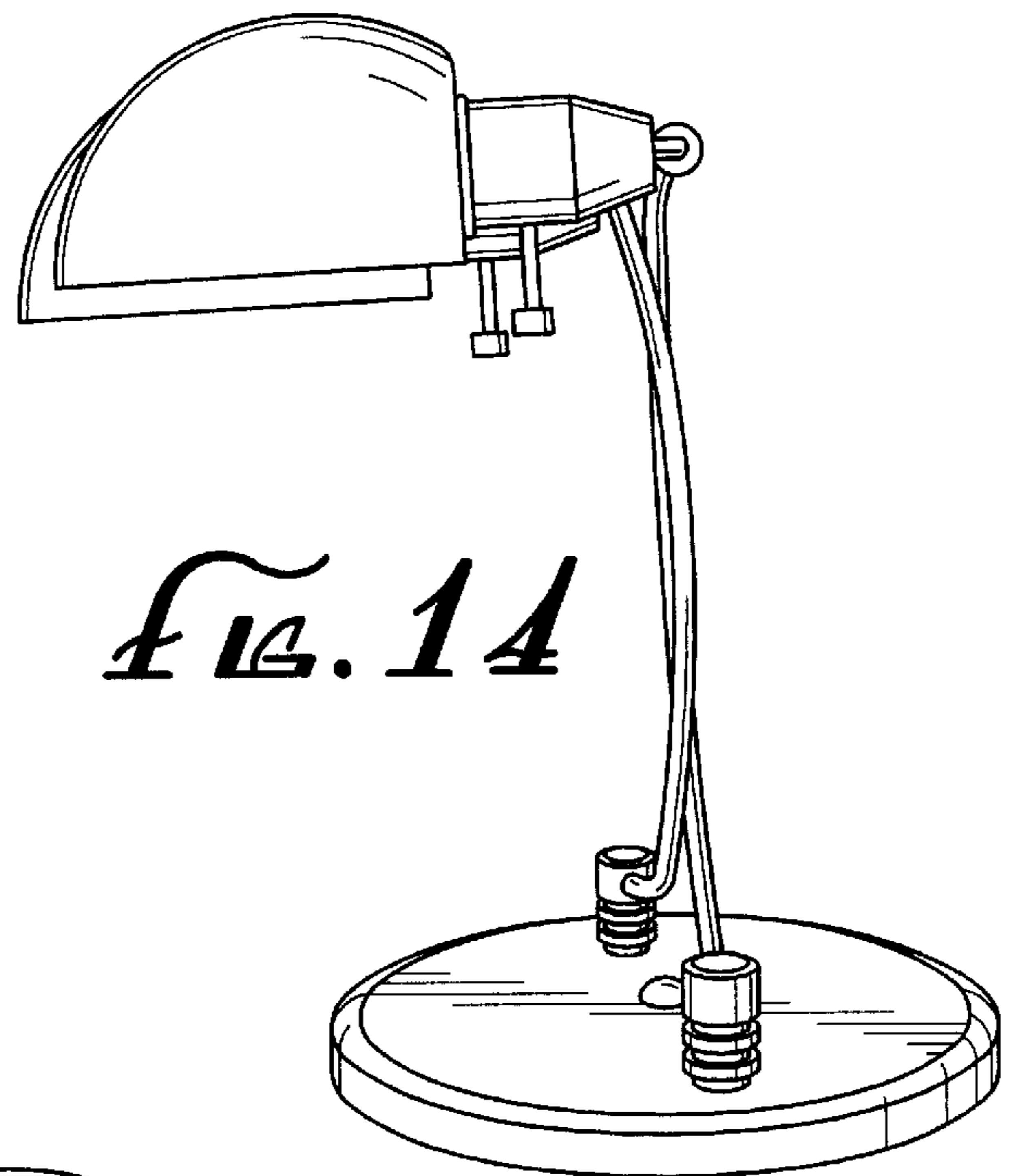
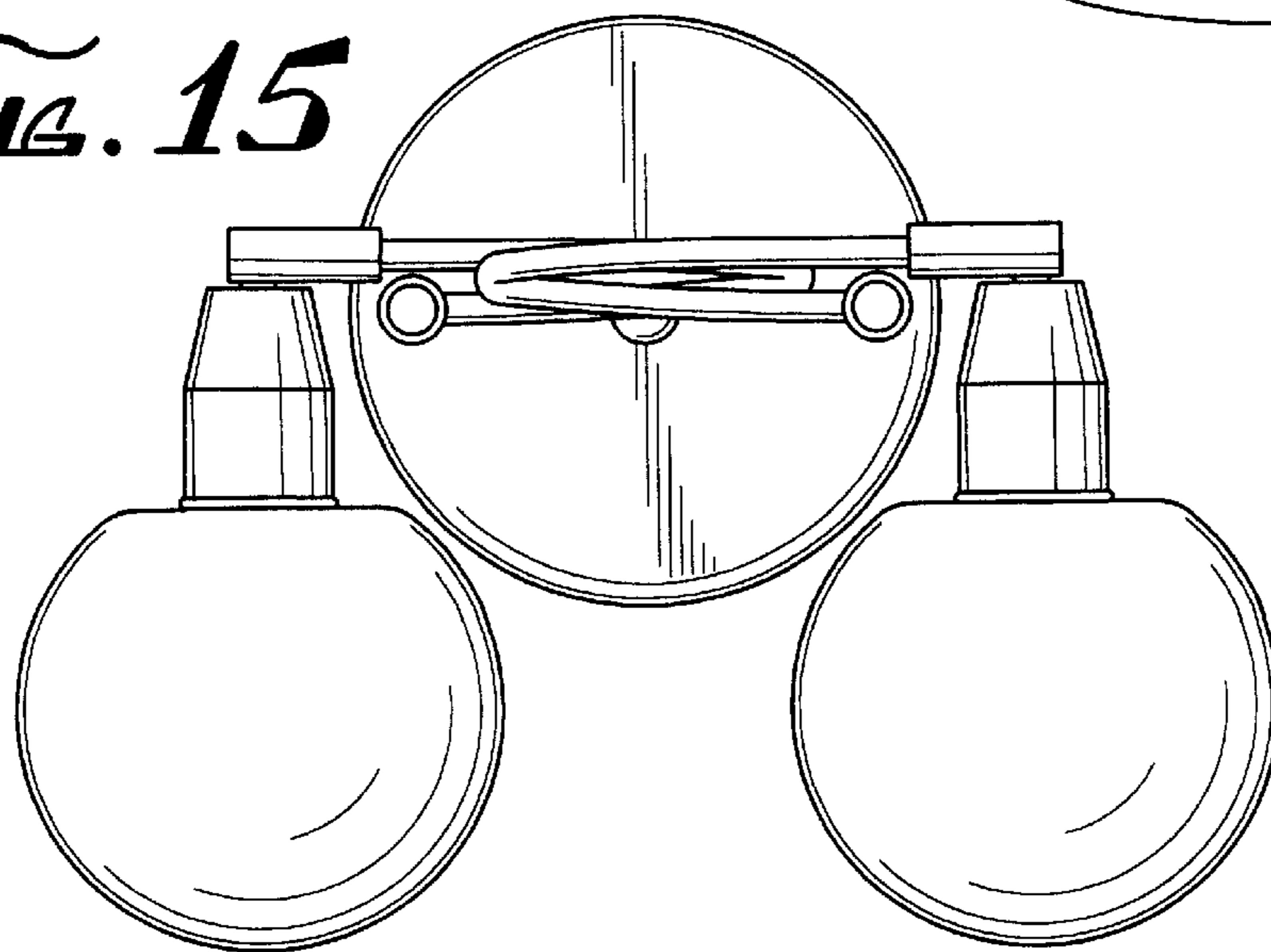


FIG. 14

FIG. 15



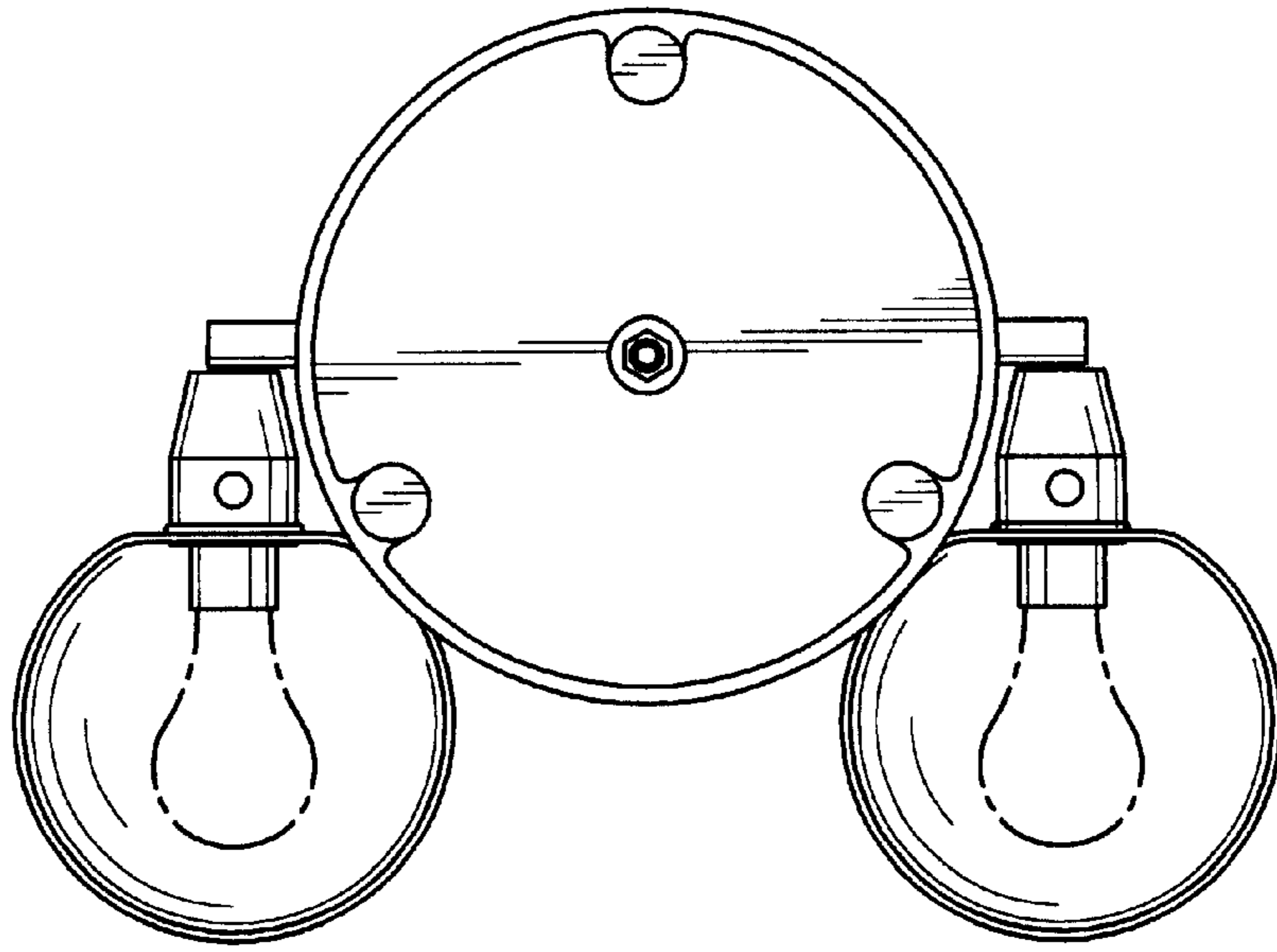


FIG. 16

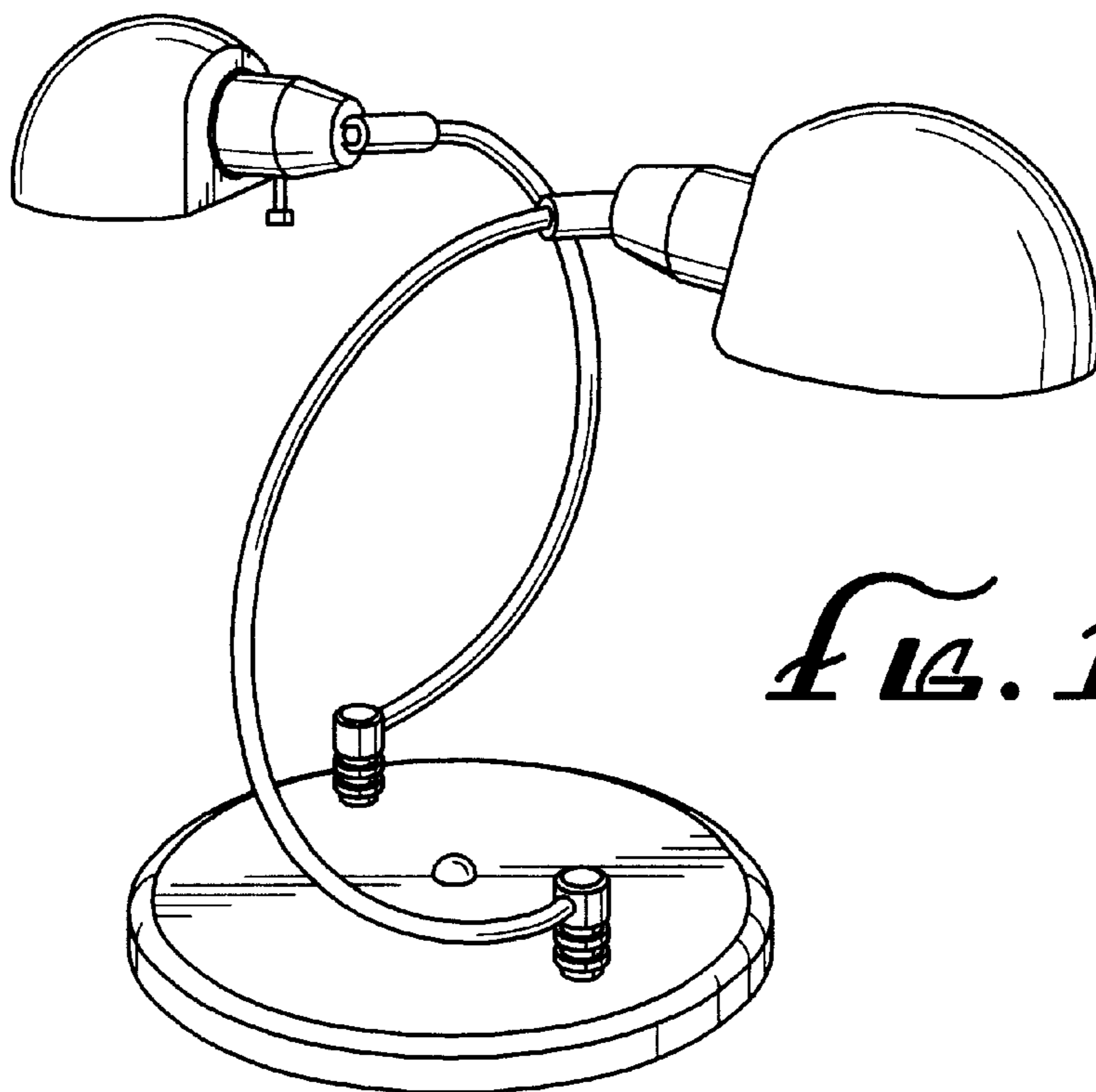


FIG. 17