



US00D436205S

(12) **United States Design Patent**
Huang

(10) **Patent No.:** **US D436,205 S**

(45) **Date of Patent:** **** Jan. 9, 2001**

(54) **SUPPORT FRAME OF A TABLE LAMP**

(75) Inventor: **Huo-Tu Huang**, Taipei Hsien (TW)

(73) Assignee: **Huangslite Industrial Co., Ltd.**, Taipei Hsien (TW)

(**) Term: **14 Years**

(21) Appl. No.: **29/120,319**

(22) Filed: **Mar. 17, 2000**

(51) **LOC (7) Cl.** **26-05**

(52) **U.S. Cl.** **D26/63**

(58) **Field of Search** D26/60-65; 362/410-414,
362/269, 271, 272, 275, 281, 282, 285,
287, 418, 419, 427

(56) **References Cited**

U.S. PATENT DOCUMENTS

D. 398,411	*	9/1998	Yang	D26/65
D. 405,903	*	2/1999	Ling	D26/64
5,590,957	*	1/1997	Chen	362/419

OTHER PUBLICATIONS

Taiwan Lighting, Feb. 1998, p. 95, desk lamp base, #H-291.*

* cited by examiner

Primary Examiner—Susan J. Lucas

(74) *Attorney, Agent, or Firm*—Bacon & Thomas, PLLC

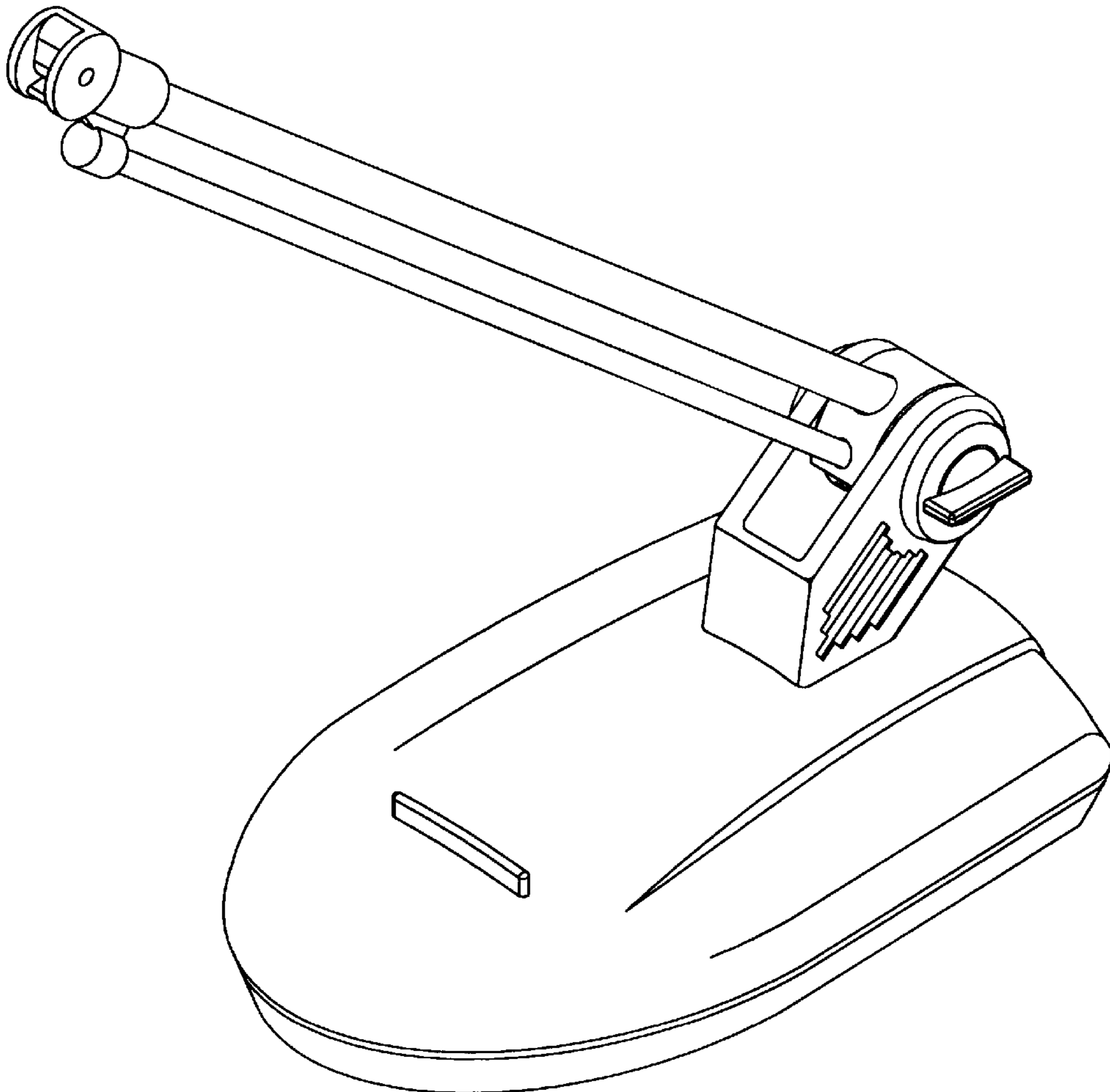
(57) **CLAIM**

The ornamental design for support frame of a table lamp, as shown and described.

DESCRIPTION

FIG. 1. is a top, front right side perspective view thereof; FIG. 2. is a left elevation view thereof; FIG. 3. is a right elevation view thereof; FIG. 4. is a rear elevational view thereof; FIG. 5. is a front elevational view thereof; FIG. 6. is a top plan view thereof; and, FIG. 7. is a bottom plan view thereof.

1 Claim, 7 Drawing Sheets



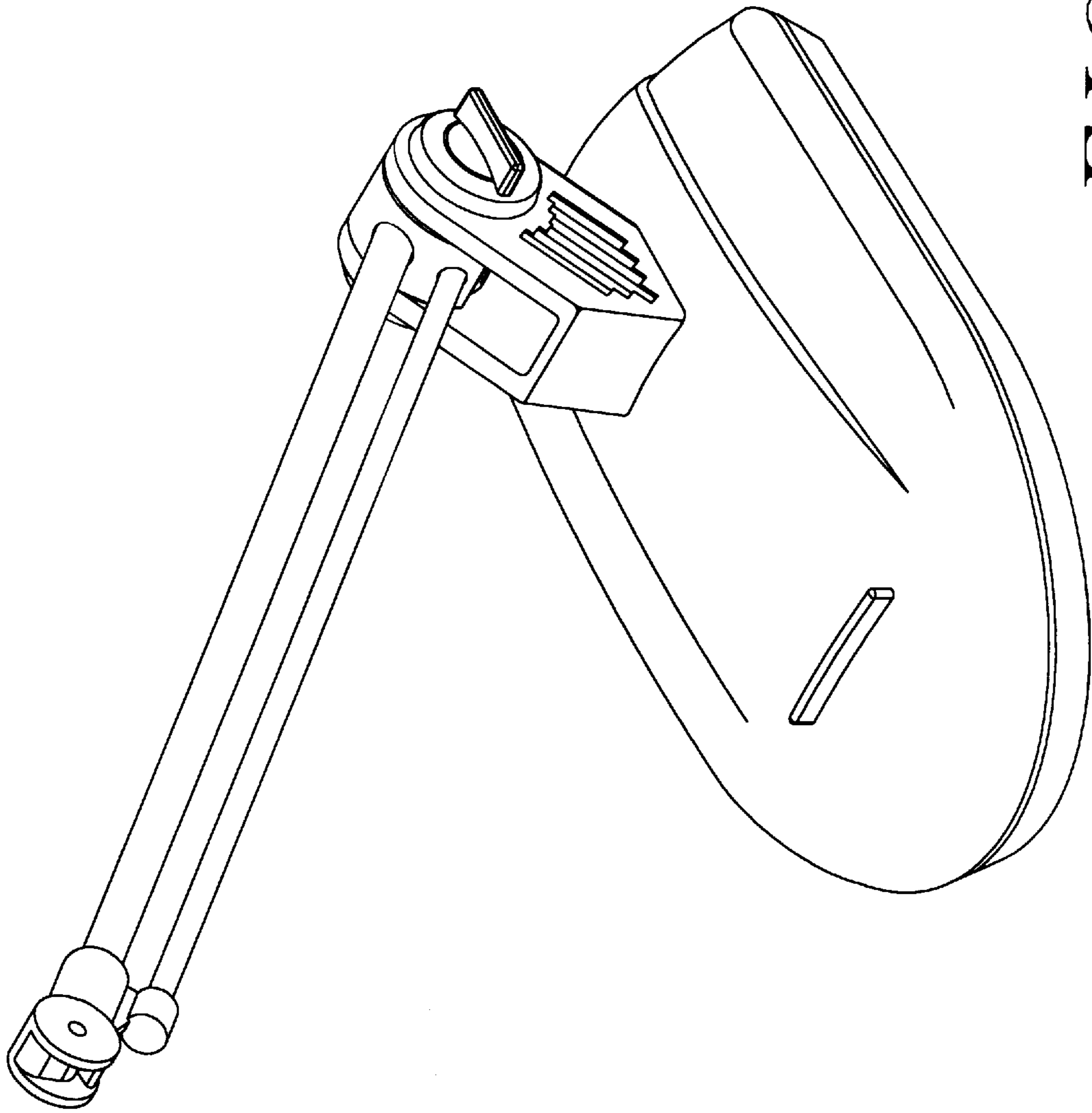


FIG. 1

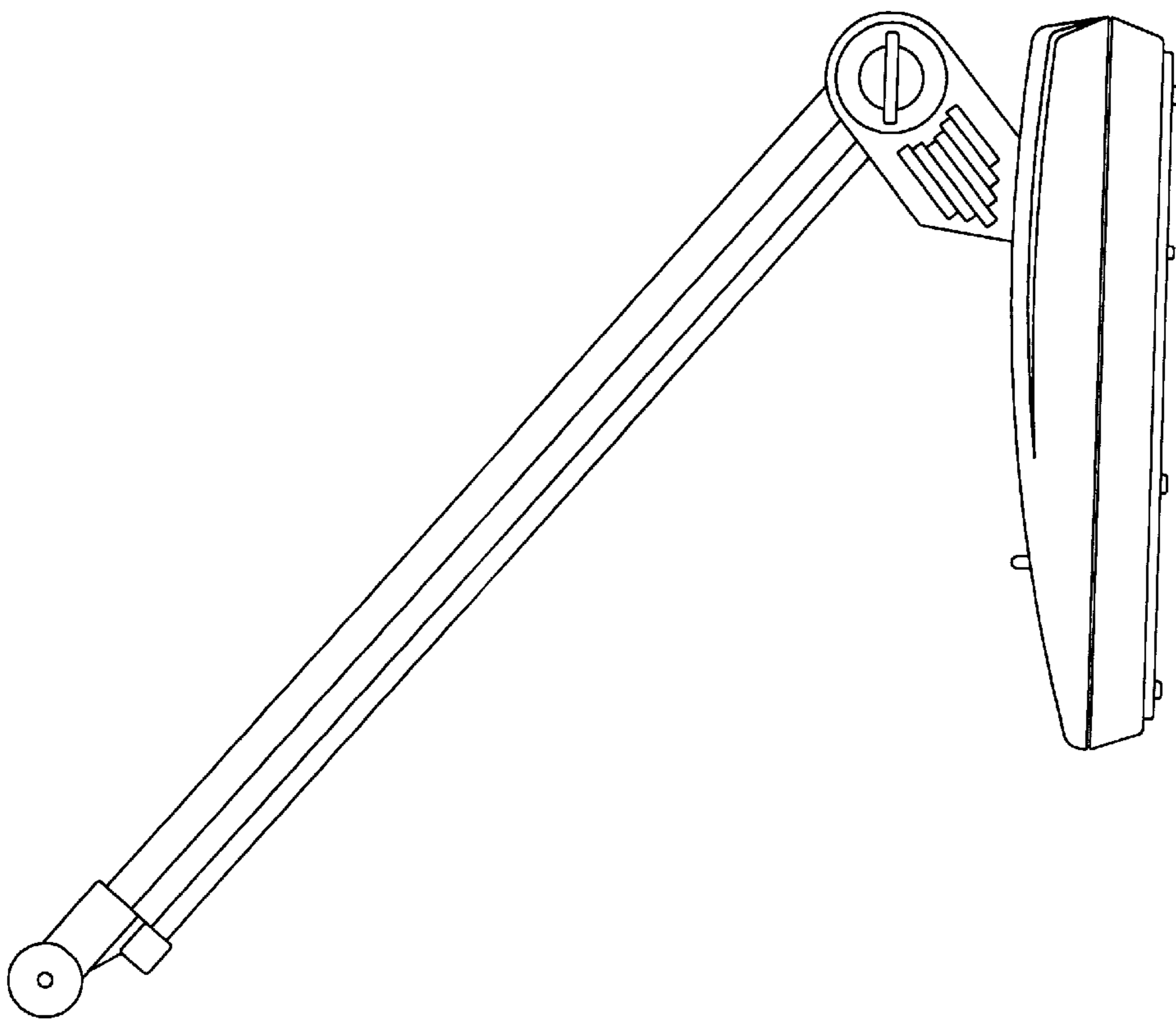


FIG. 2

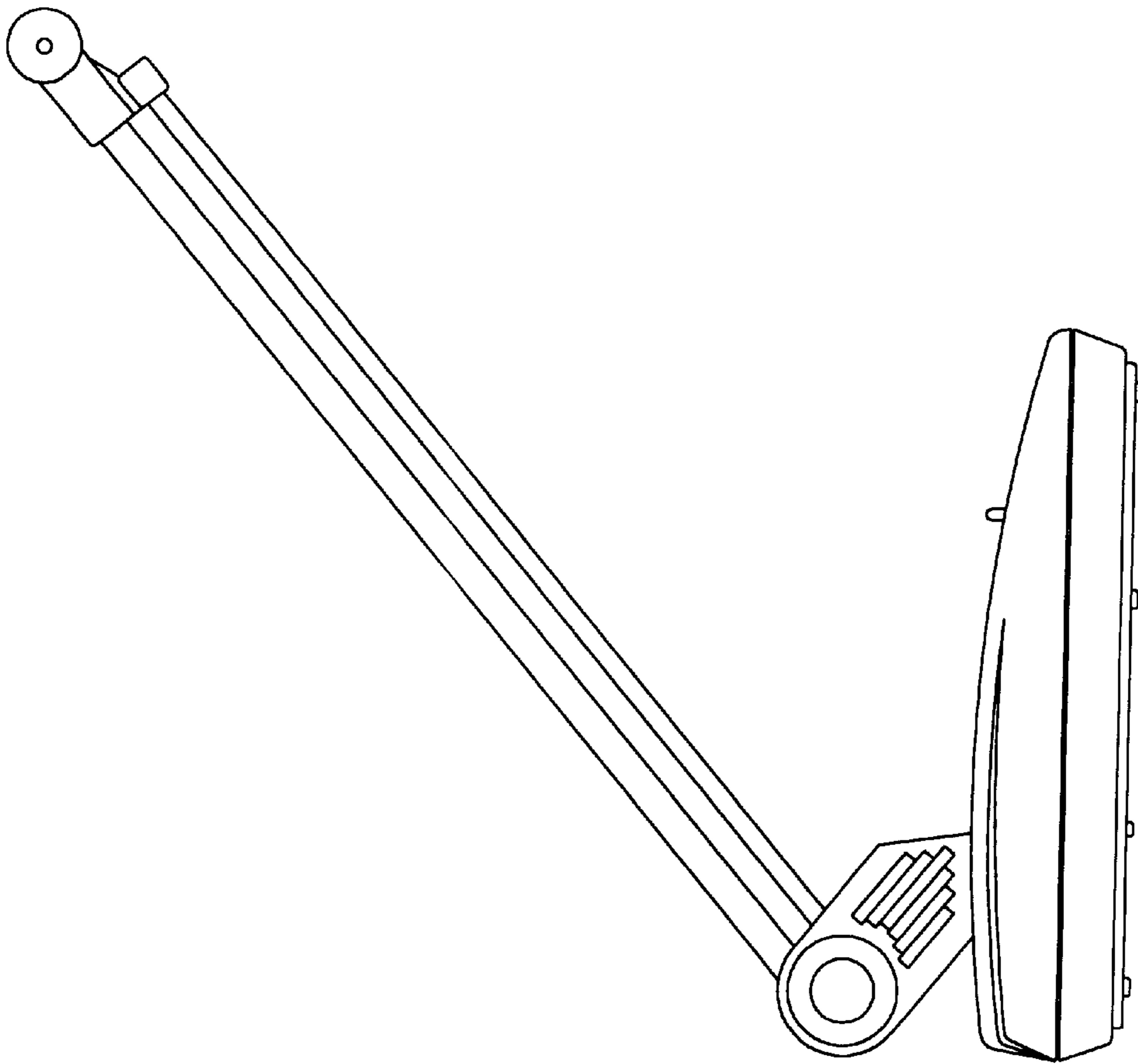


FIG. 3

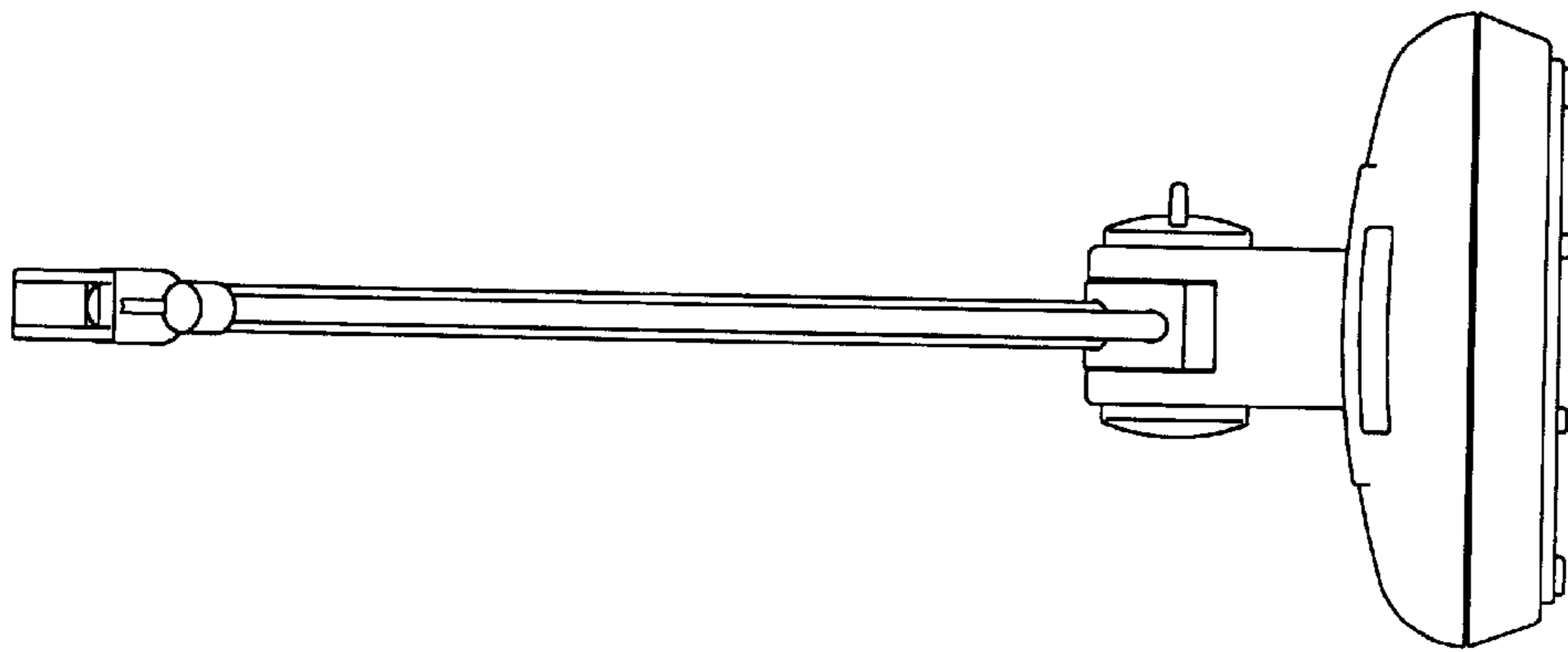


FIG. 4

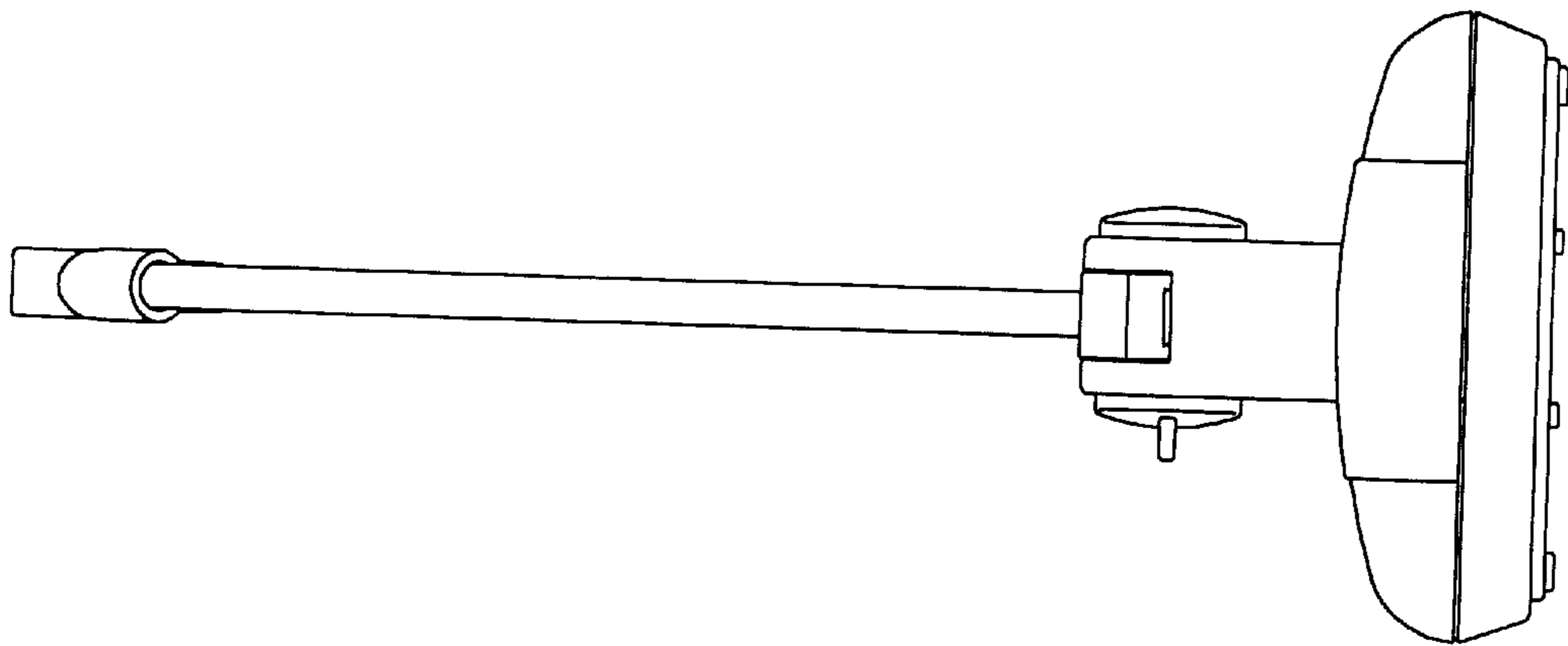


FIG. 5

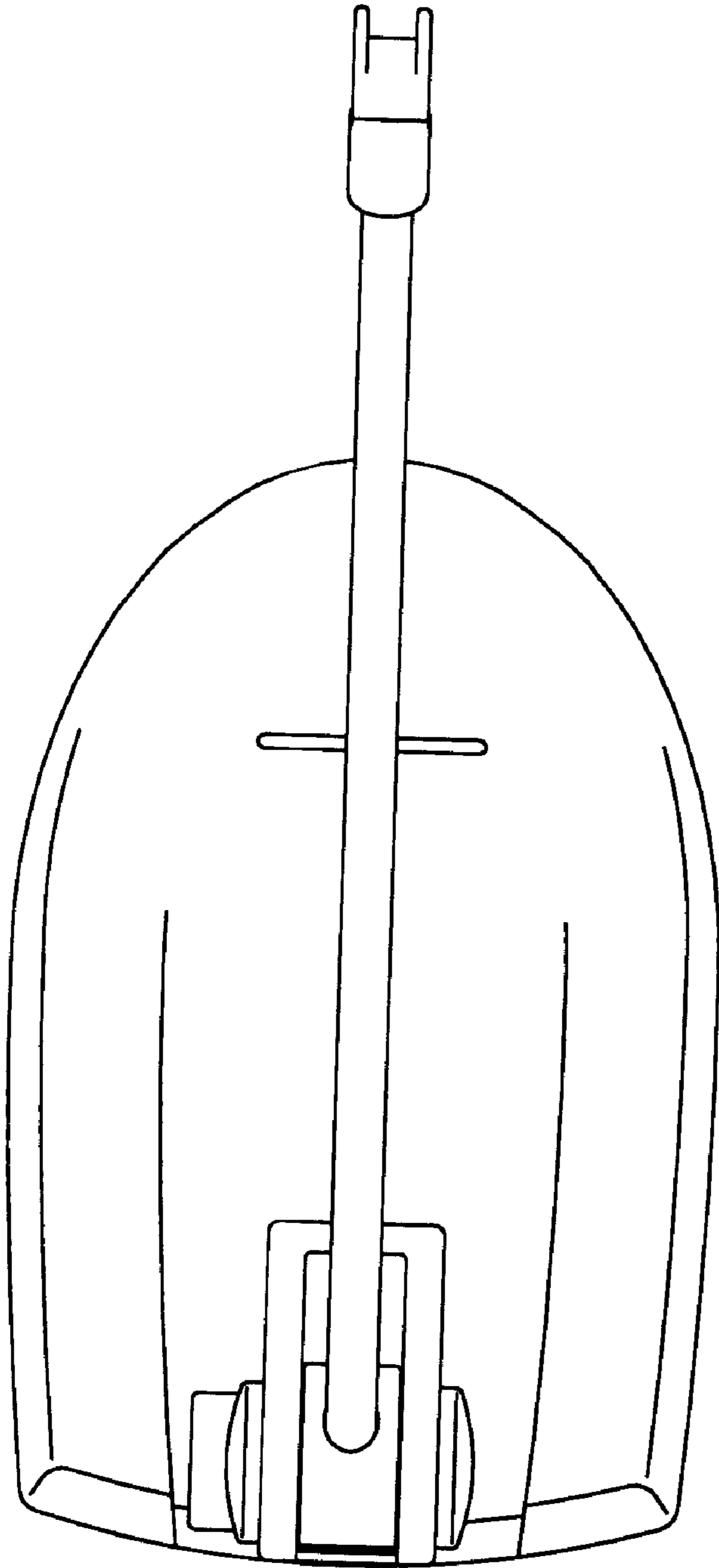


FIG. 6

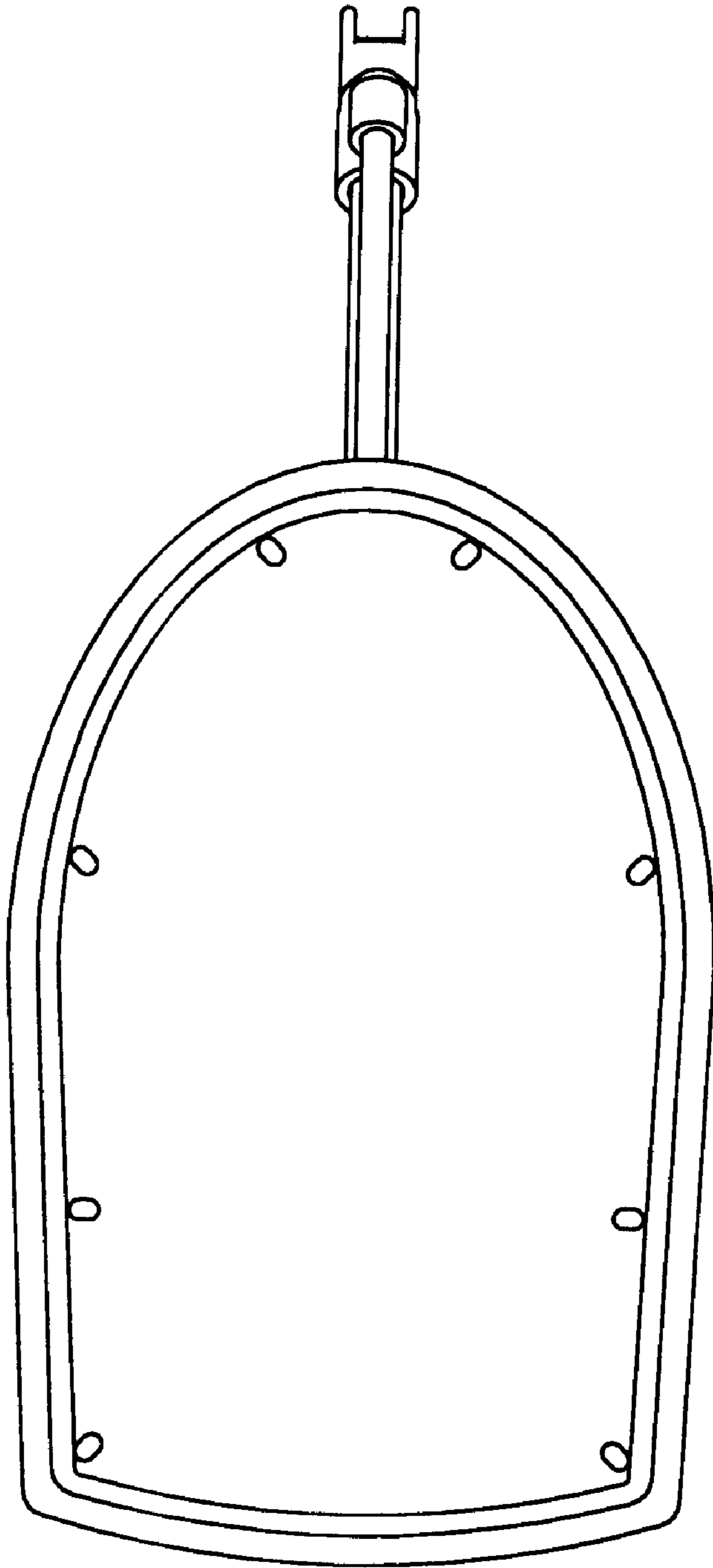


FIG. 7