



US00D436204S

(12) **United States Design Patent**
Leen

(10) **Patent No.:** **US D436,204 S**

(45) **Date of Patent:** **** Jan. 9, 2001**

(54) **PORTABLE WORK LIGHT**

(76) **Inventor:** **Monte A. Leen**, 11730 NE. 12th St.,
Bellevue, WA (US) 98005

(**) **Term:** **14 Years**

(21) **Appl. No.:** **29/109,913**

(22) **Filed:** **Aug. 25, 1999**

(51) **LOC (7) Cl.** **26-05**

(52) **U.S. Cl.** **D26/63**

(58) **Field of Search** D26/60-66; 362/267,
362/269, 271, 272, 282, 287, 418, 419,
427

(56) **References Cited**

U.S. PATENT DOCUMENTS

D. 359,371	*	6/1995	Osteen	D26/63 X
D. 369,227		4/1996	Sumer	D26/63
D. 375,377		11/1996	Leen	D26/63
D. 380,568	*	7/1997	Landy	D26/63

D. 385,640		10/1997	Leen	D26/63
D. 403,455	*	12/1998	Duennes	D26/63 X
5,205,645	*	4/1993	Lee	362/287 X

* cited by examiner

Primary Examiner—Susan J. Lucas

(74) *Attorney, Agent, or Firm*—Dean A. Craine

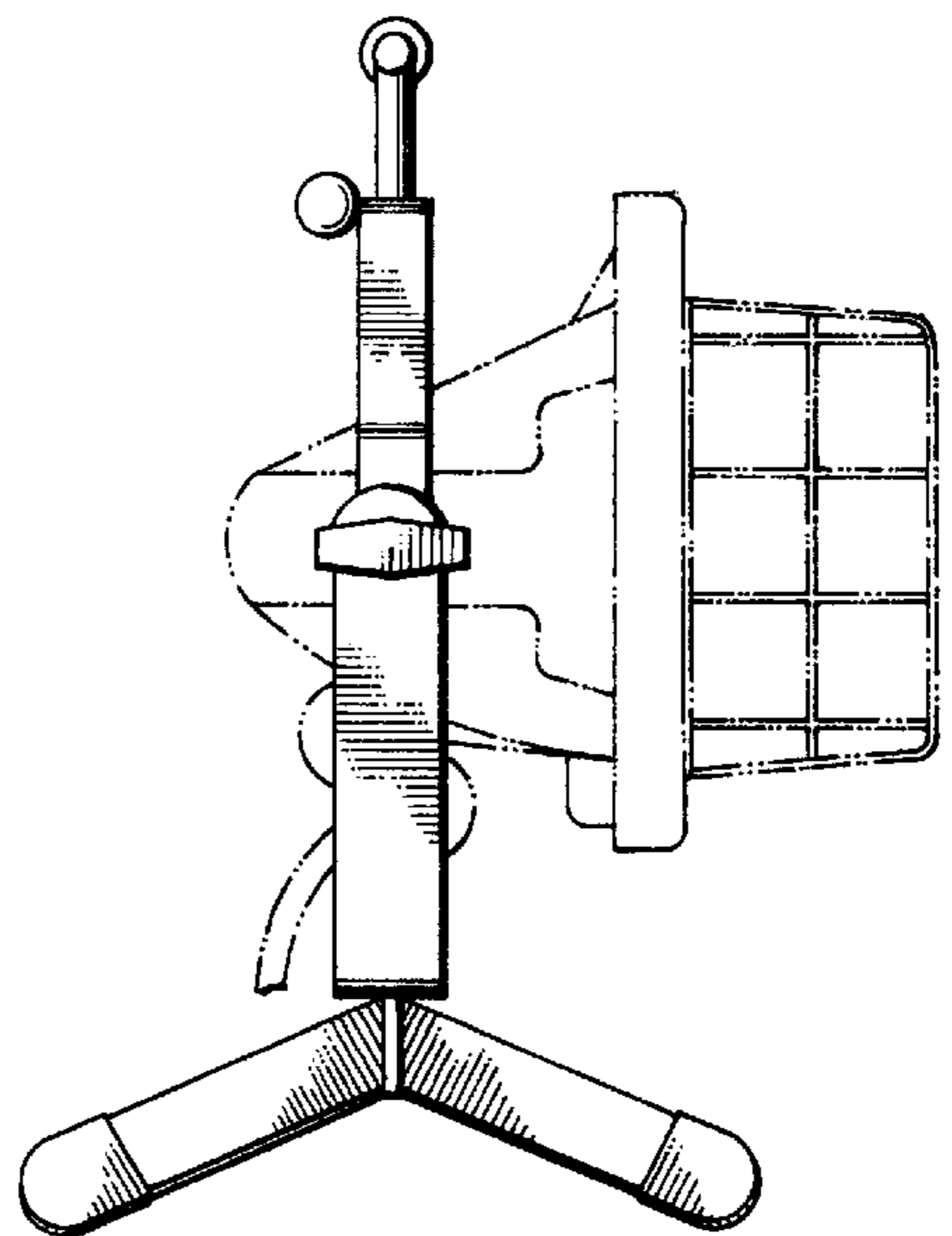
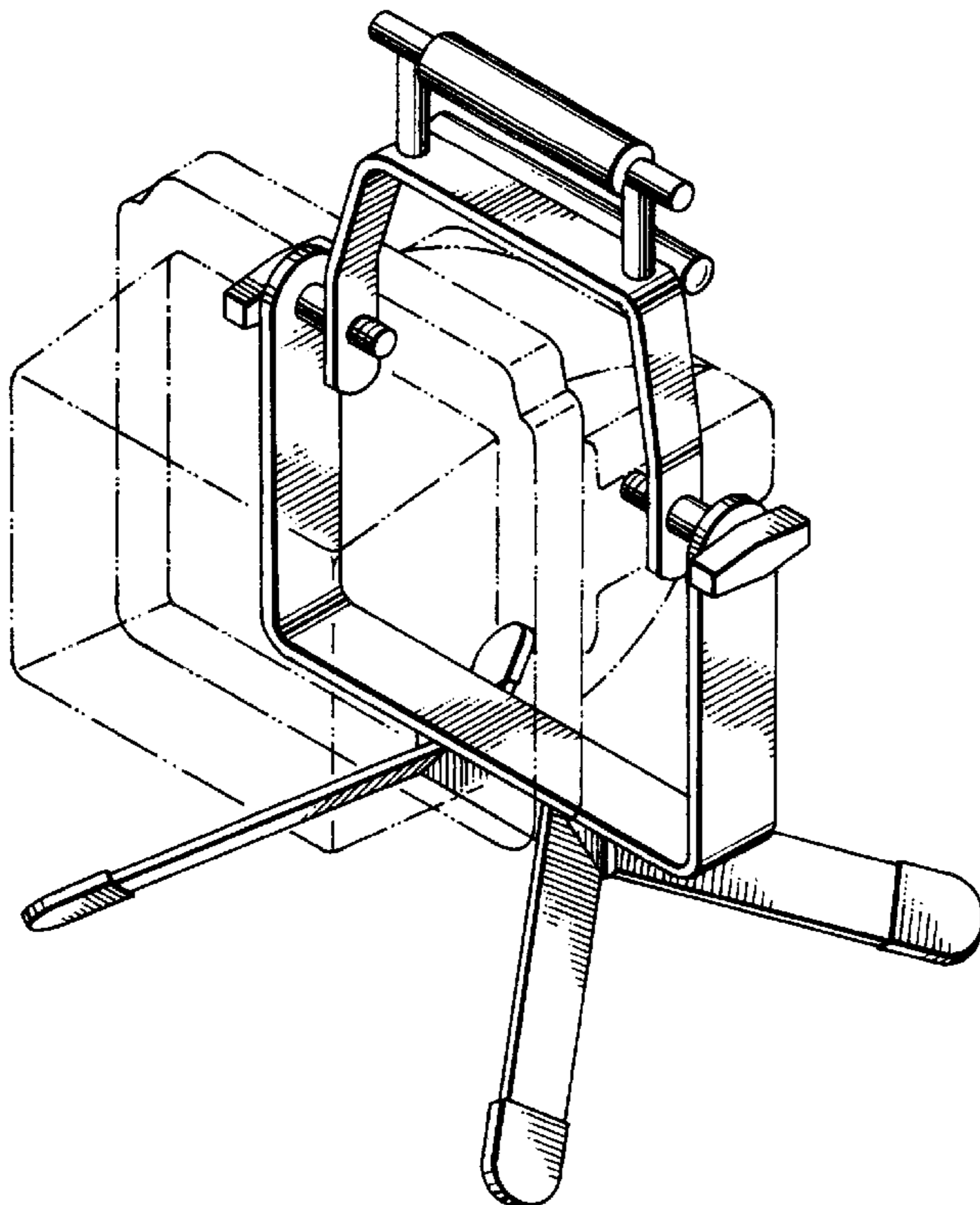
(57) **CLAIM**

The ornamental design for a portable work light, as shown and described.

DESCRIPTION

FIG. 1 is a perspective view of a portable work light.
FIG. 2 is a left side elevational view of the invention.
FIG. 3 is a right side elevational view of the invention.
FIG. 4 is a front elevational view of the invention.
FIG. 5 is a rear elevational view of the invention.
FIG. 6 is a top plan view of the invention; and,
FIG. 7 is a bottom plan view of the invention.

1 Claim, 2 Drawing Sheets



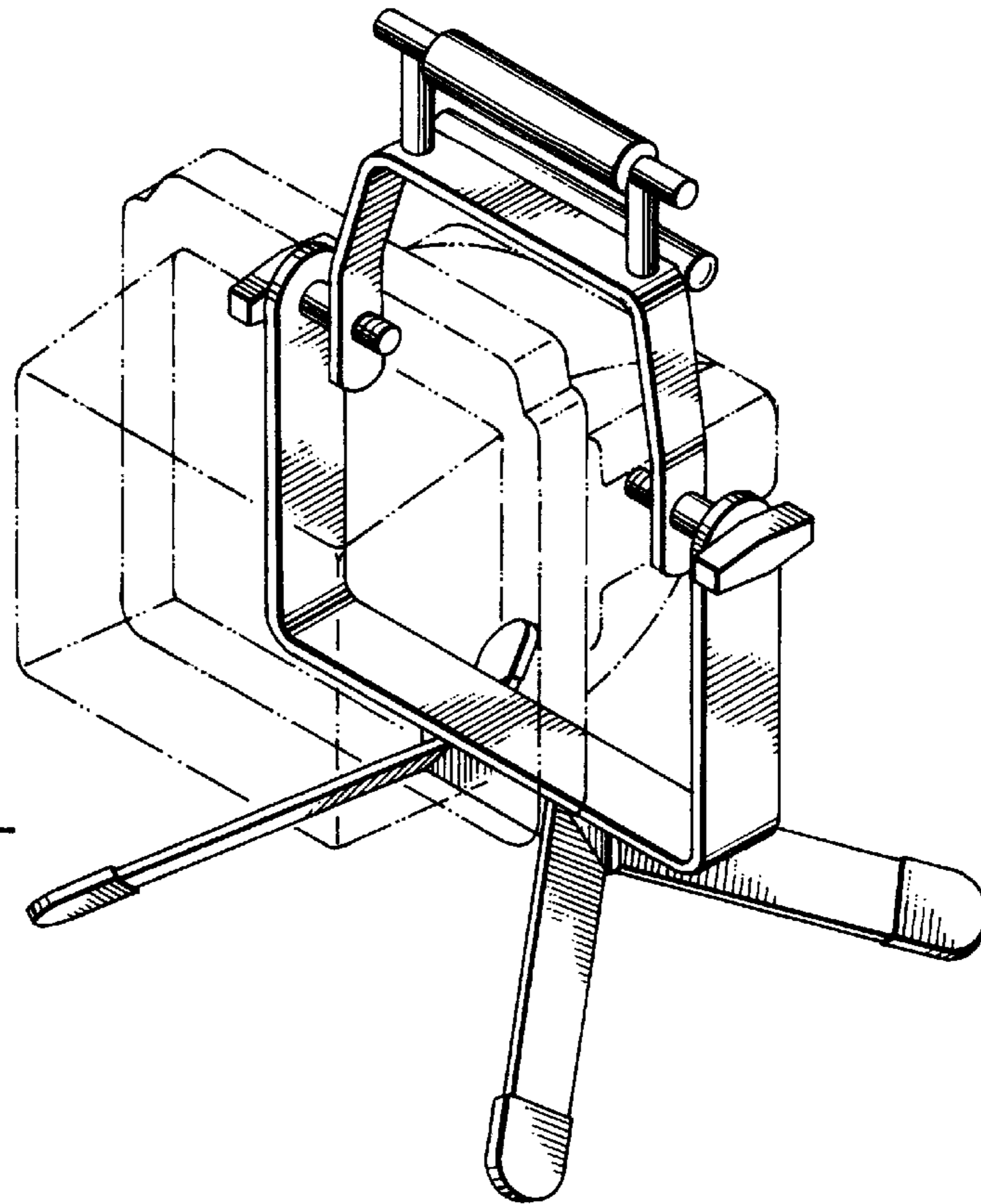


FIG. 1

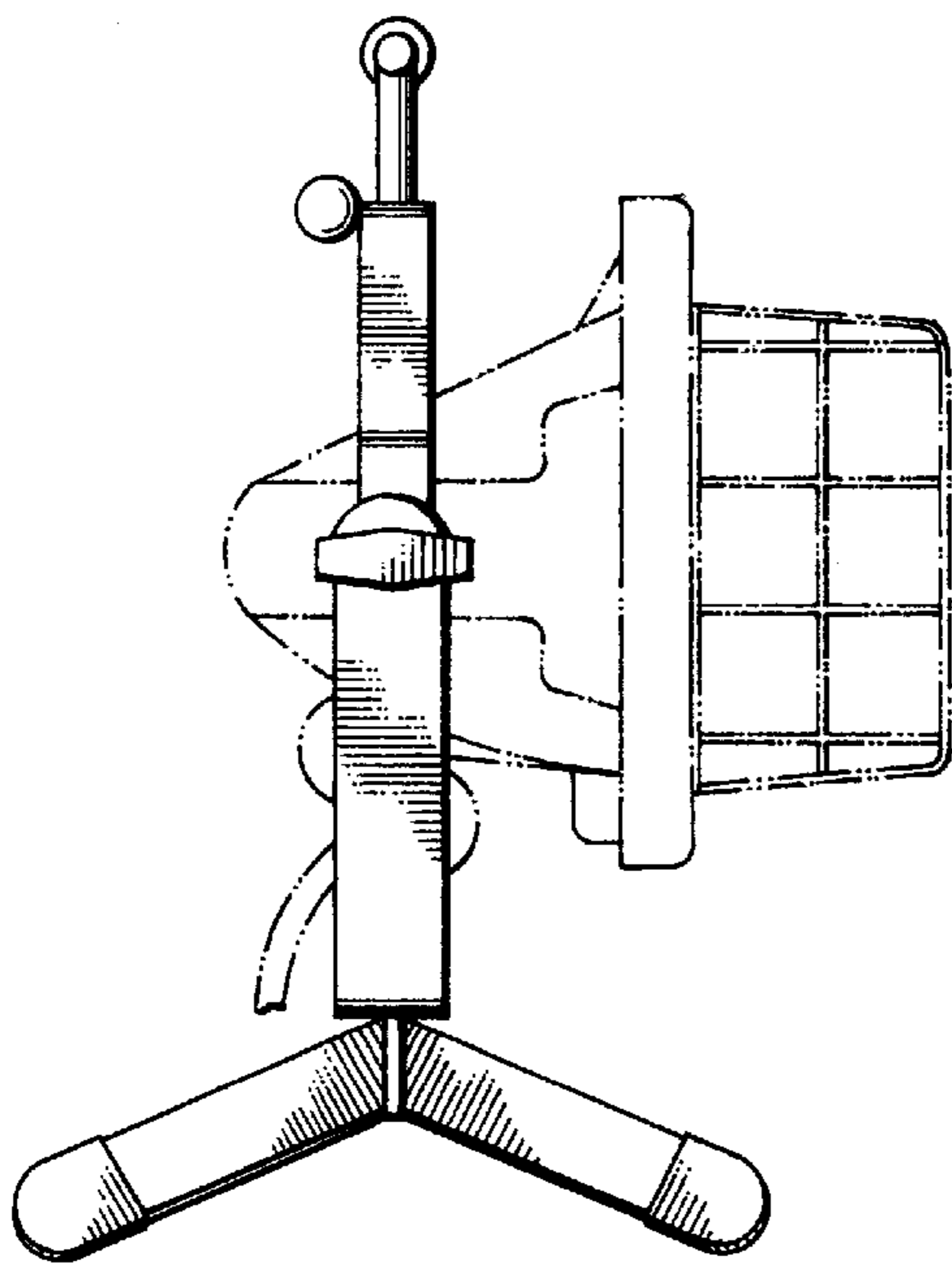


FIG. 2

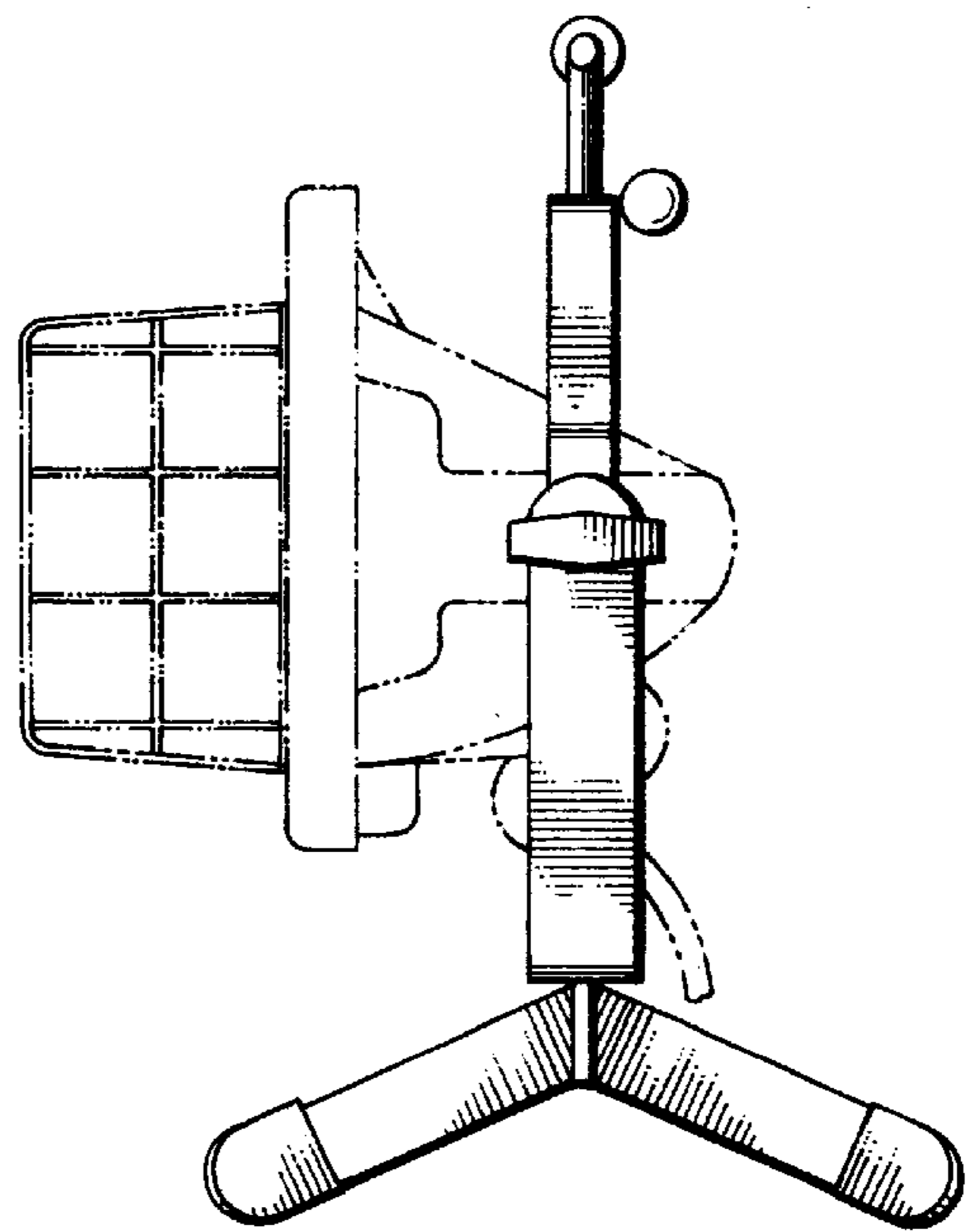


FIG. 3

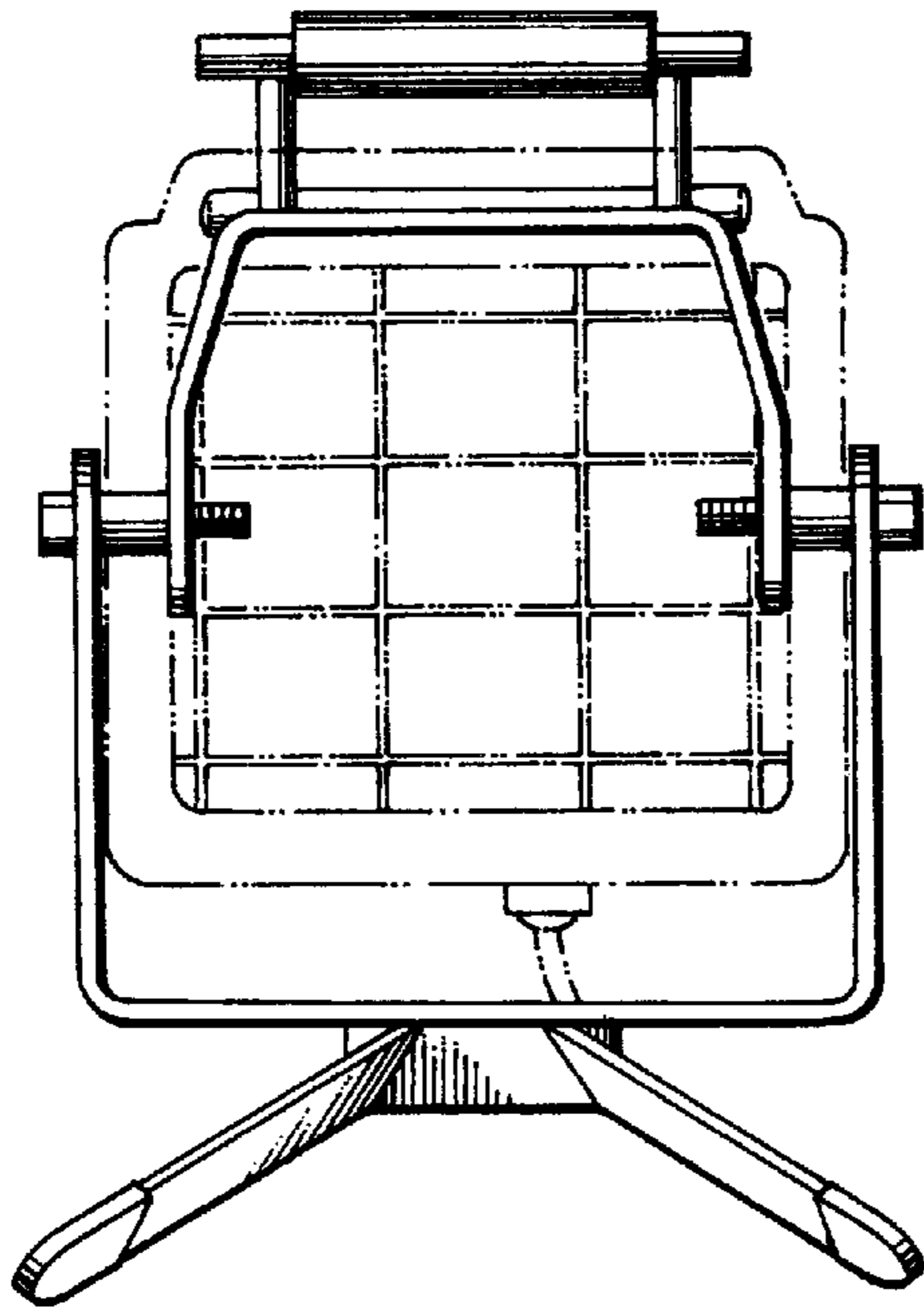


FIG. 4

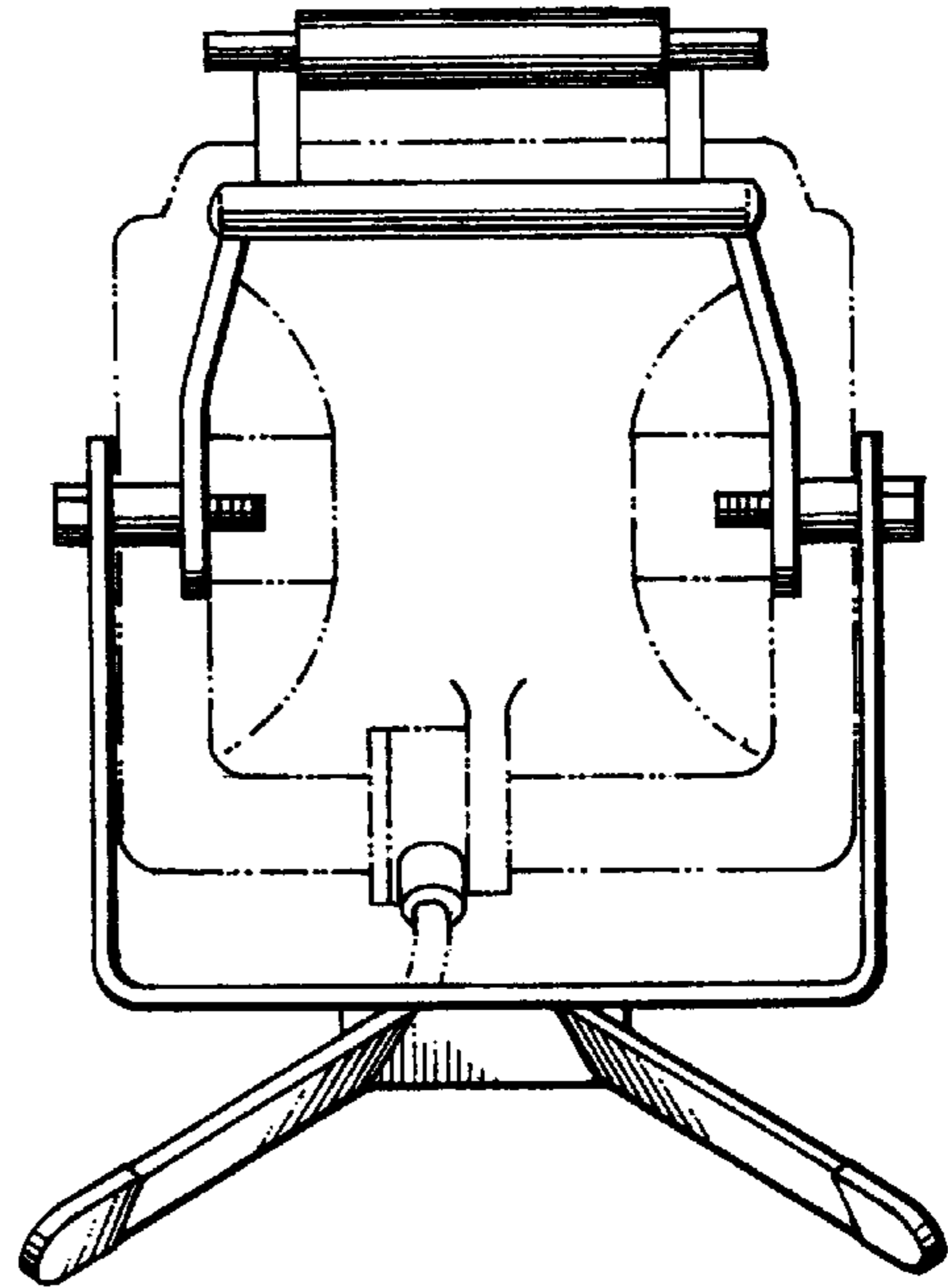


FIG. 5

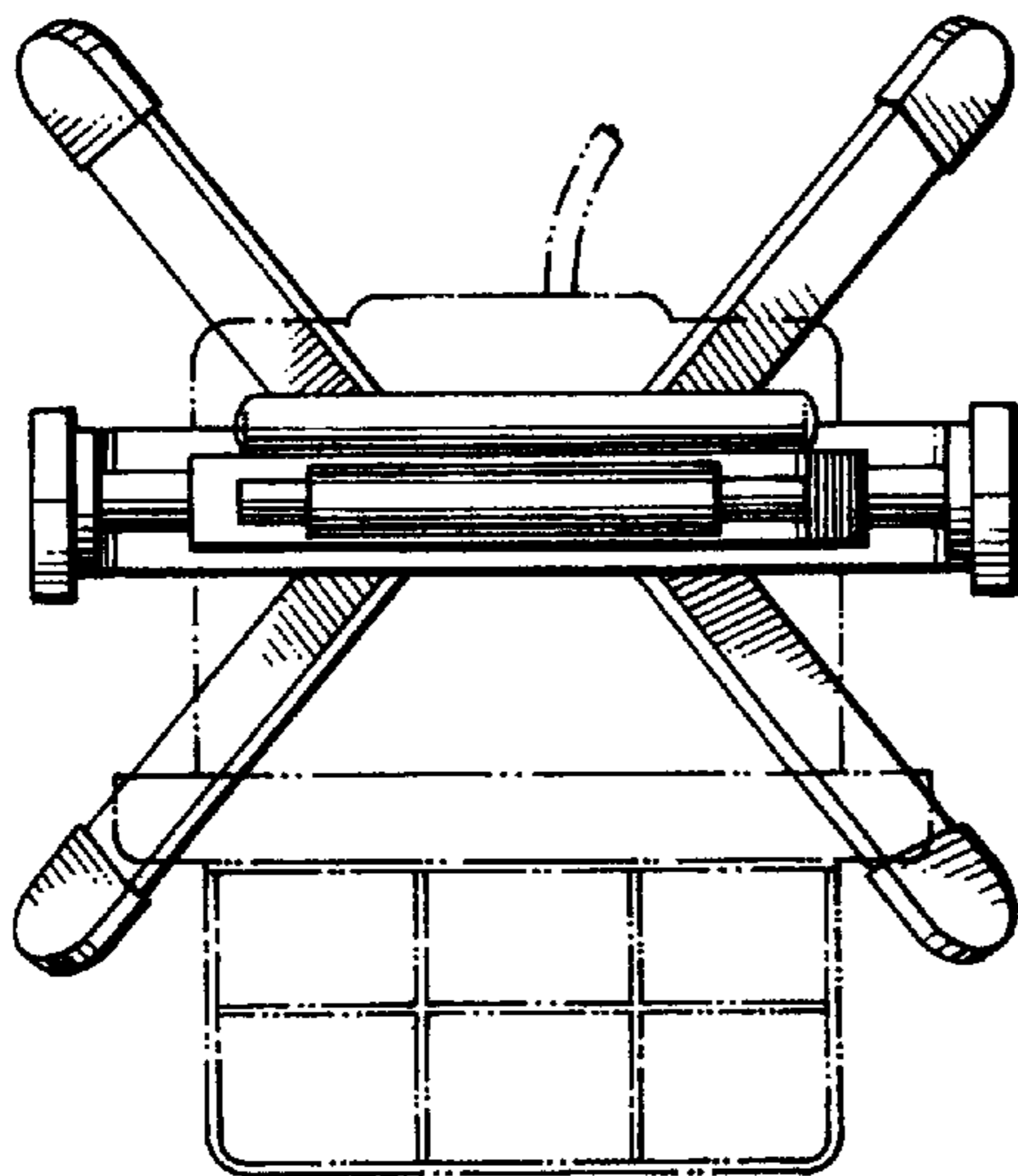


FIG. 6

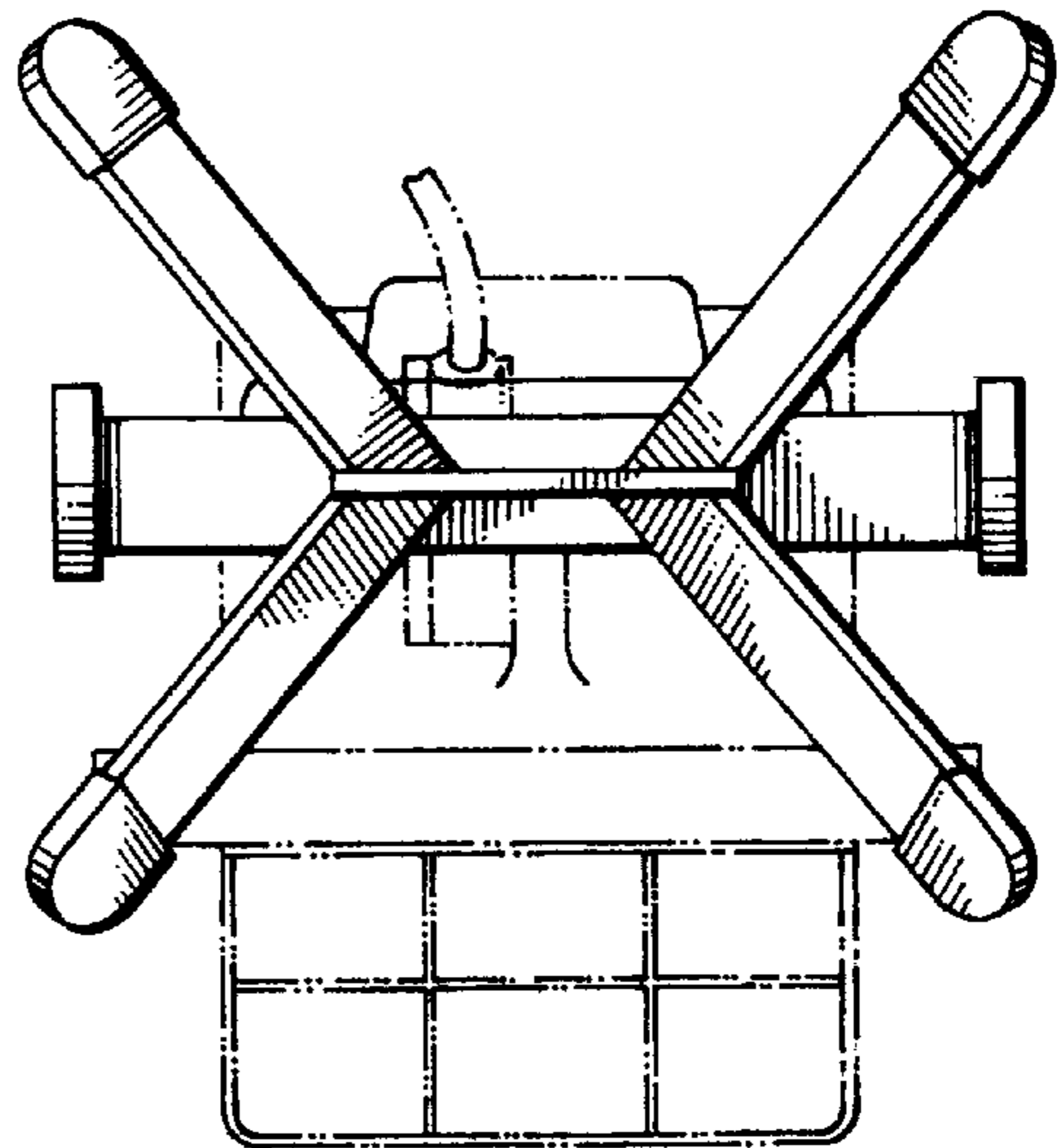


FIG. 7