



US00D436202S

(12) **United States Design Patent**
Chen

(10) **Patent No.:** **US D436,202 S**

(45) **Date of Patent:** **** Jan. 9, 2001**

(54) **CLIP-ON BOOK LIGHT**

(76) **Inventor:** **Chung-Yang M. Chen**, 3F, No. 2, Lane 497, Chung-Cheng Rd., Hsintien City, Taipei County (TW)

(**) **Term:** **14 Years**

(21) **Appl. No.:** **29/125,381**

(22) **Filed:** **Jun. 22, 2000**

(51) **LOC (7) Cl.** **26-05**

(52) **U.S. Cl.** **D26/60**

(58) **Field of Search** D26/60-66; 362/267, 362/269, 271, 272, 273, 276, 282, 283, 285, 287, 418, 419, 42, 296, 297, 301, 306

(56) **References Cited**

U.S. PATENT DOCUMENTS

- D. 390,989 * 2/1998 Zeller D26/60
- D. 397,468 * 8/1998 Zeller D26/60

- D. 427,703 * 7/2000 Chan D26/60
- D. 428,177 * 7/2000 Chan D26/60

* cited by examiner

Primary Examiner—Susan J. Lucas

(74) *Attorney, Agent, or Firm*—Dougherty & Troxell

(57) **CLAIM**

The ornamental design for “clip-on book light,” shown and described.

DESCRIPTION

FIG. 1 is a perspective view showing our new design for “clip-on book light”;

FIG. 2 is a front elevational view thereof;

FIG. 3 is a rear elevational view thereof;

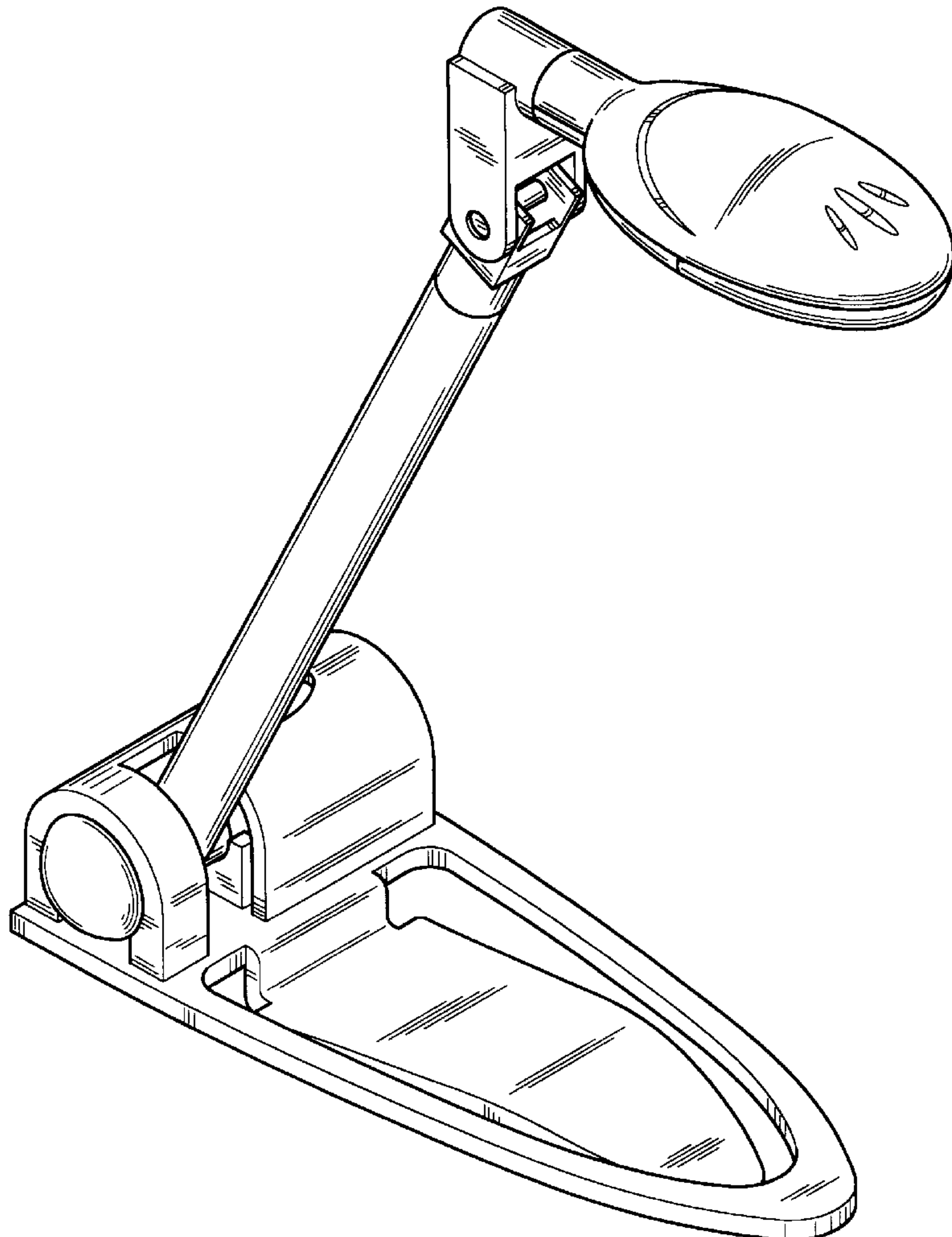
FIG. 4 is a left side elevational view thereof;

FIG. 5 is a right side elevational view thereof;

FIG. 6 is a top view thereof; and,

FIG. 7 is a bottom view thereof.

1 Claim, 4 Drawing Sheets



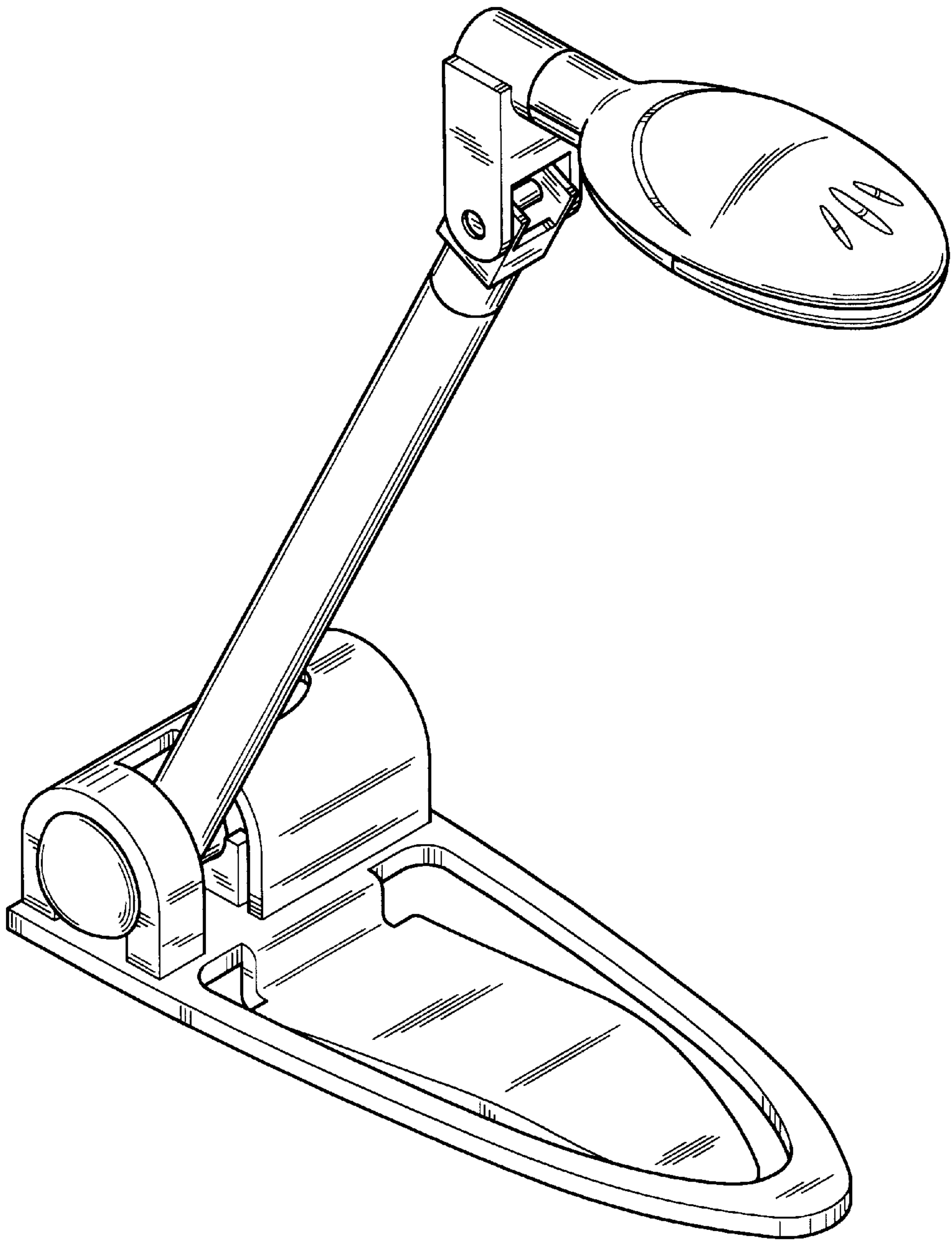


FIG. 1

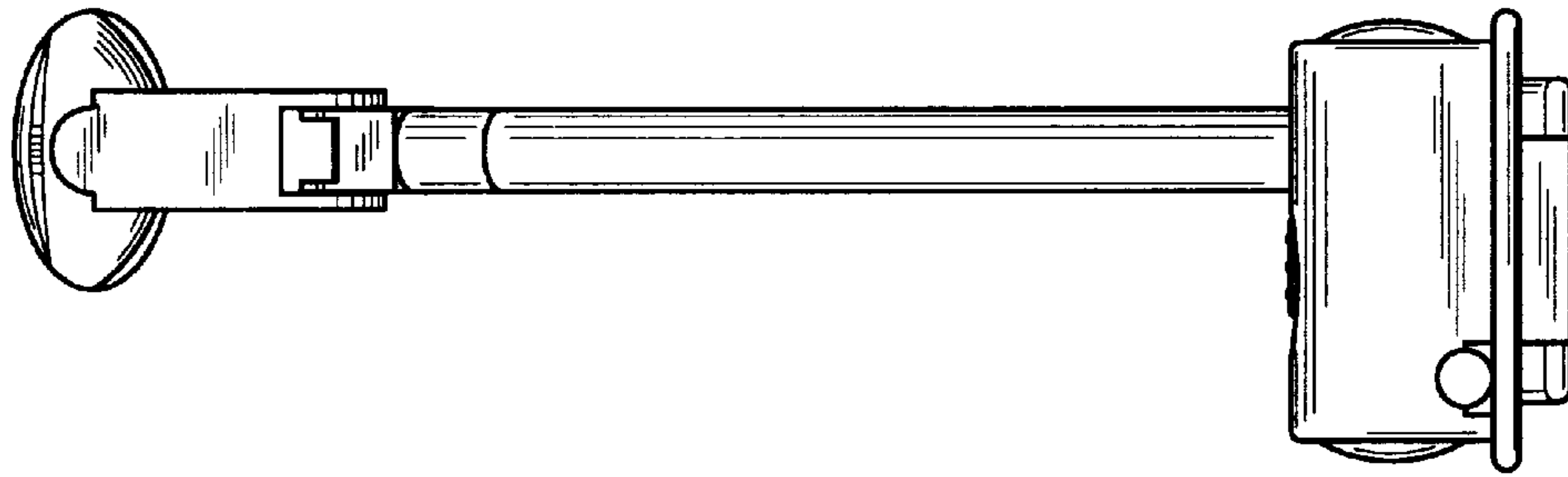


FIG. 3

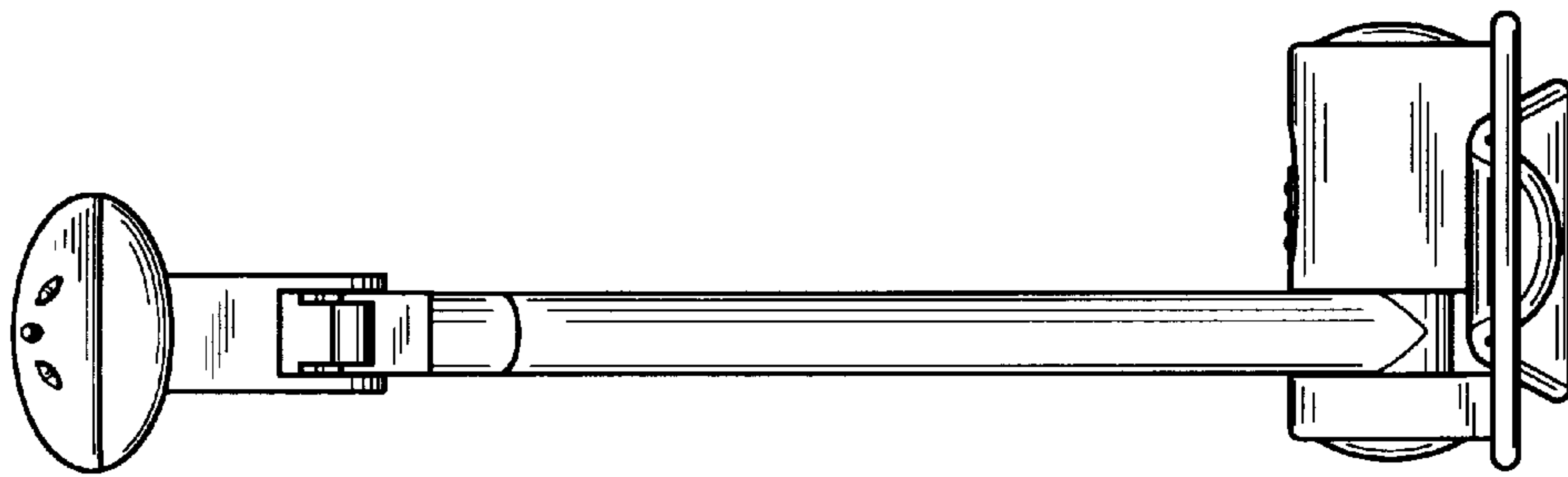


FIG. 2

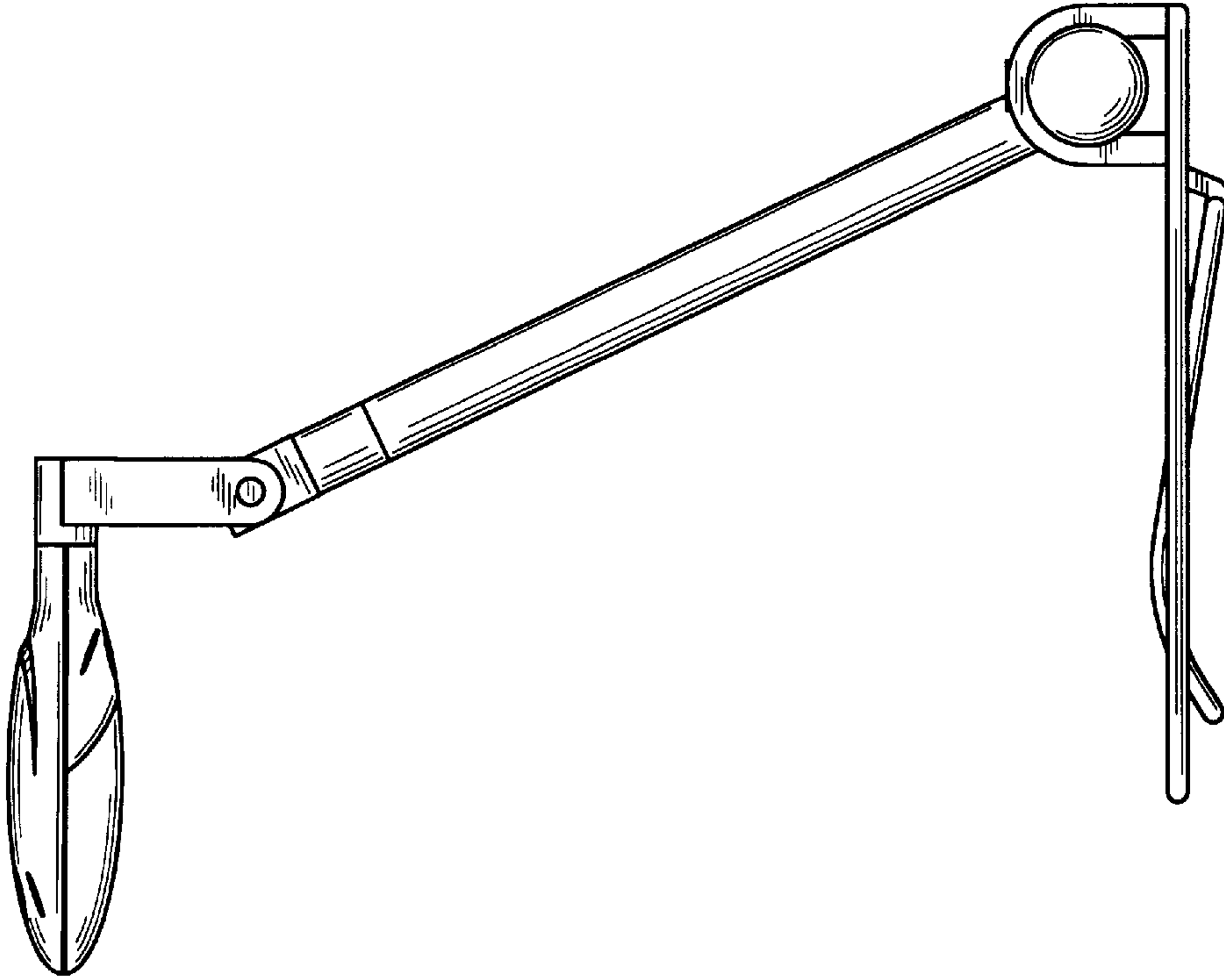


FIG. 5

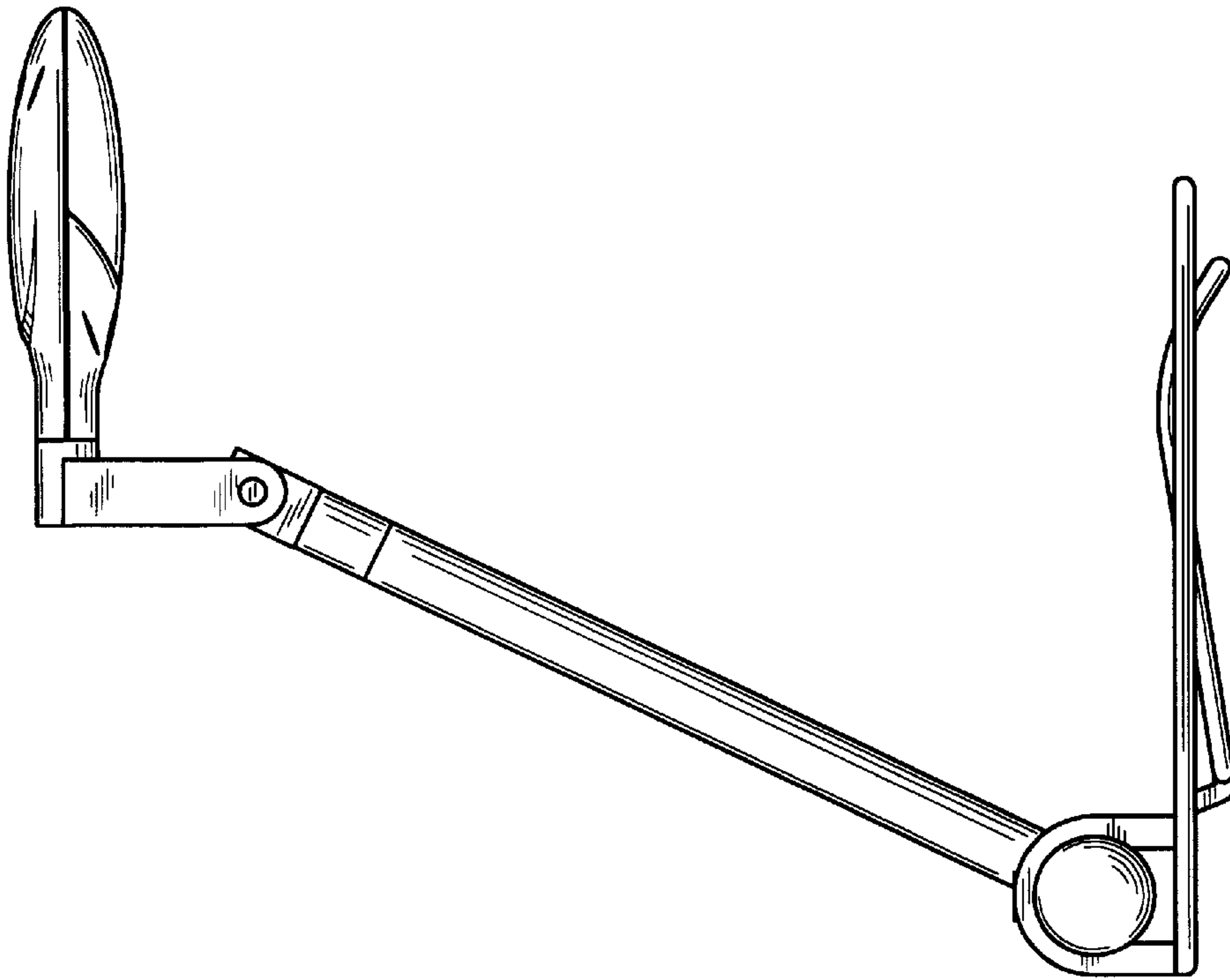


FIG. 4

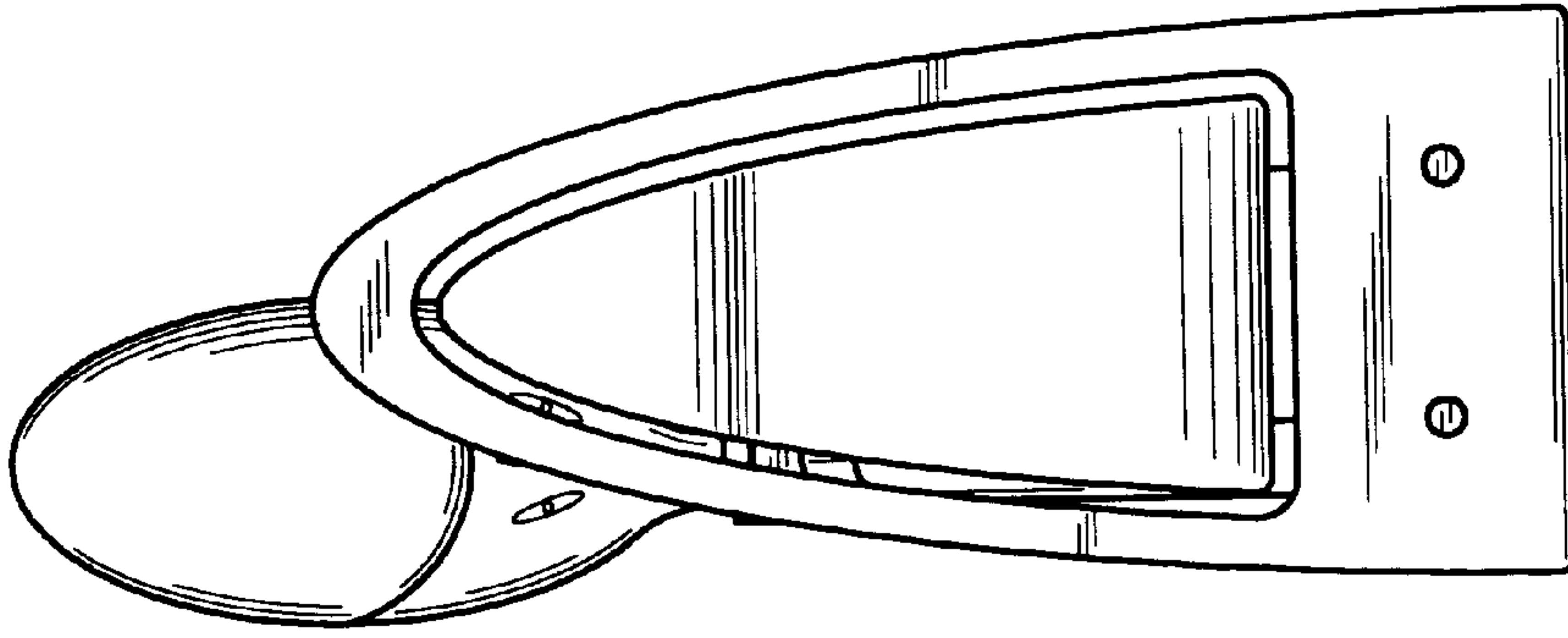


FIG. 7

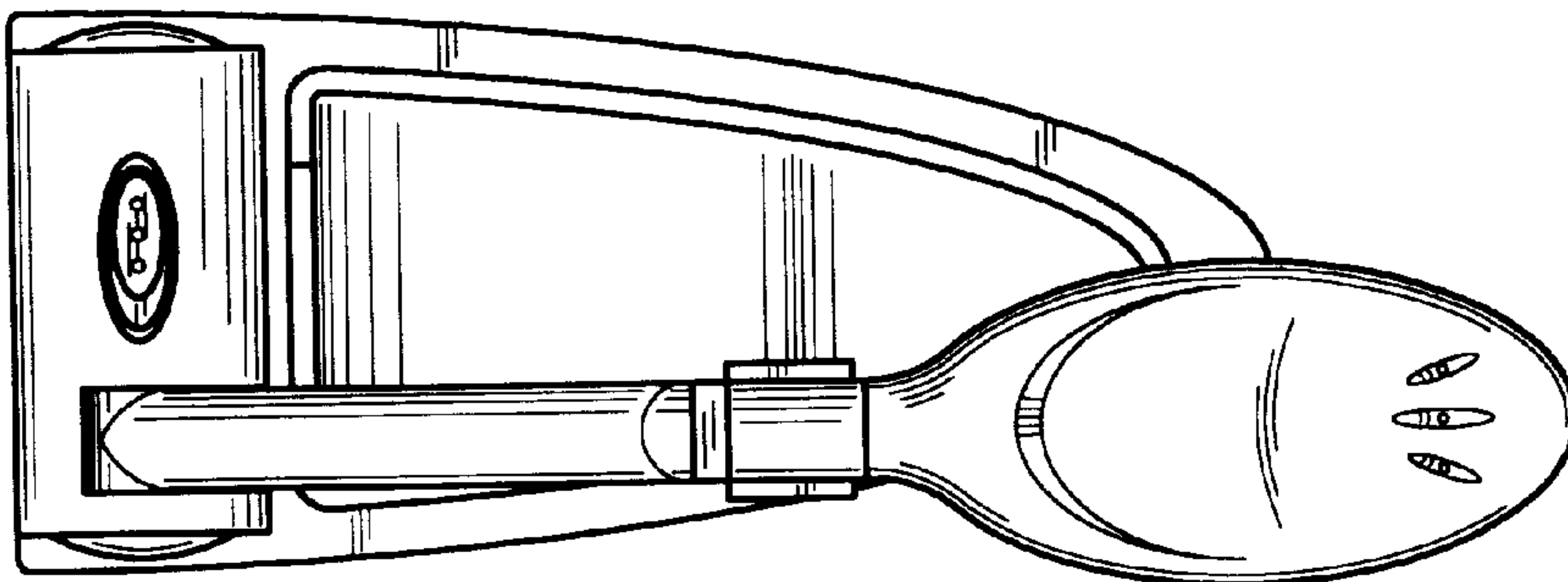


FIG. 6