



US00D436201S

(12) **United States Design Patent** (10) **Patent No.:** **US D436,201 S**
Ma (45) **Date of Patent:** **** Jan. 9, 2001**

(54) **LAMP AND TABLE**

(76) Inventor: **Mark Ma**, 1702 W. Thomas St.,
Hammond, LA (US) 70401

(**) Term: **14 Years**

(21) Appl. No.: **29/118,747**

(22) Filed: **Feb. 15, 2000**

(51) **LOC (7) Cl.** **26-05**

(52) **U.S. Cl.** **D26/58**

(58) **Field of Search** D26/52, 58, 93,
D26/101-112, 51; 362/410-414, 127, 133,
134; D6/399

(56) **References Cited**

U.S. PATENT DOCUMENTS

- D. 181,139 * 10/1957 Giardino D6/399 X
- D. 313,706 * 1/1991 Yau Kee D26/58 X
- D. 382,660 * 8/1997 Lewis D26/58

OTHER PUBLICATIONS

Taiwan Lighting, lamps JD-801 and JD-802 on p. 201, Feb. 1997.*

* cited by examiner

Primary Examiner—Freda Nunn

Assistant Examiner—Linda Brooks

(74) *Attorney, Agent, or Firm*—Garvey, Smith, Nehrass & Doody, LLC

(57) **CLAIM**

The ornamental design for a lamp and table, as shown and described.

DESCRIPTION

FIG. 1 is a front perspective view of a lamp and table showing my new design;

FIG. 2 is a top elevational view;

FIG. 3 is a bottom view;

FIG. 4 is a right side elevational view (the left side being a mirror image thereof);

FIG. 5 is a rear elevational view; and,

FIG. 6 is a front elevational view thereof.

1 Claim, 2 Drawing Sheets

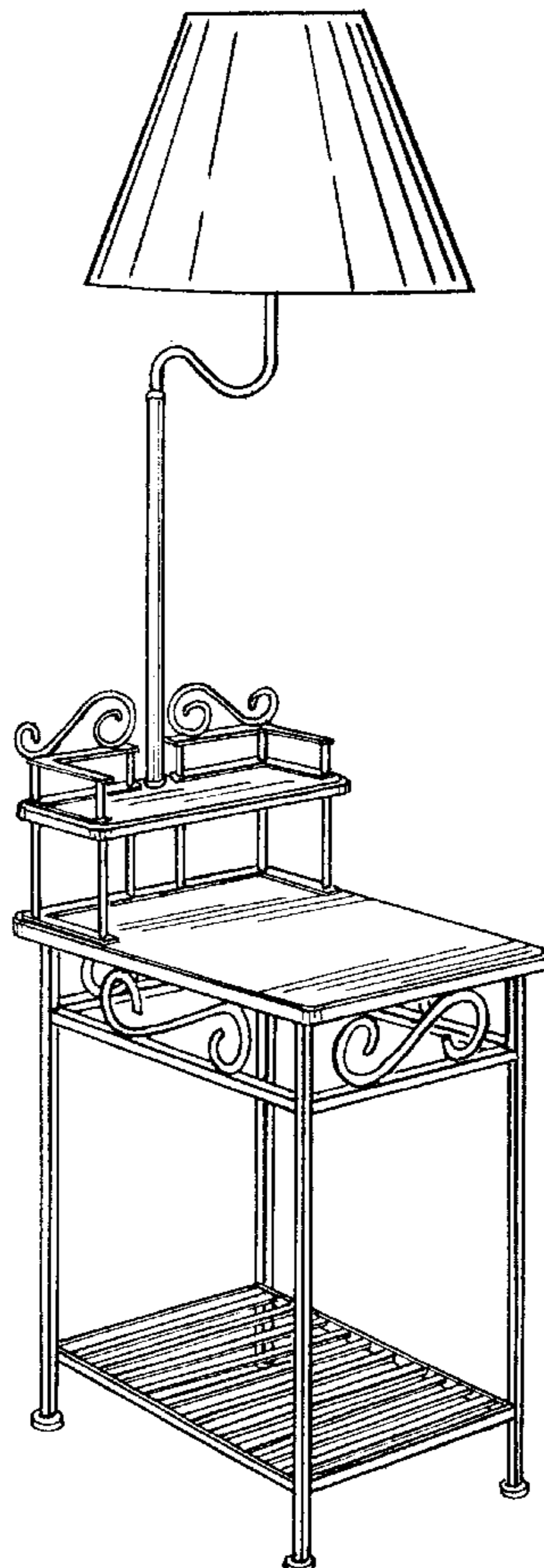


FIG. 1

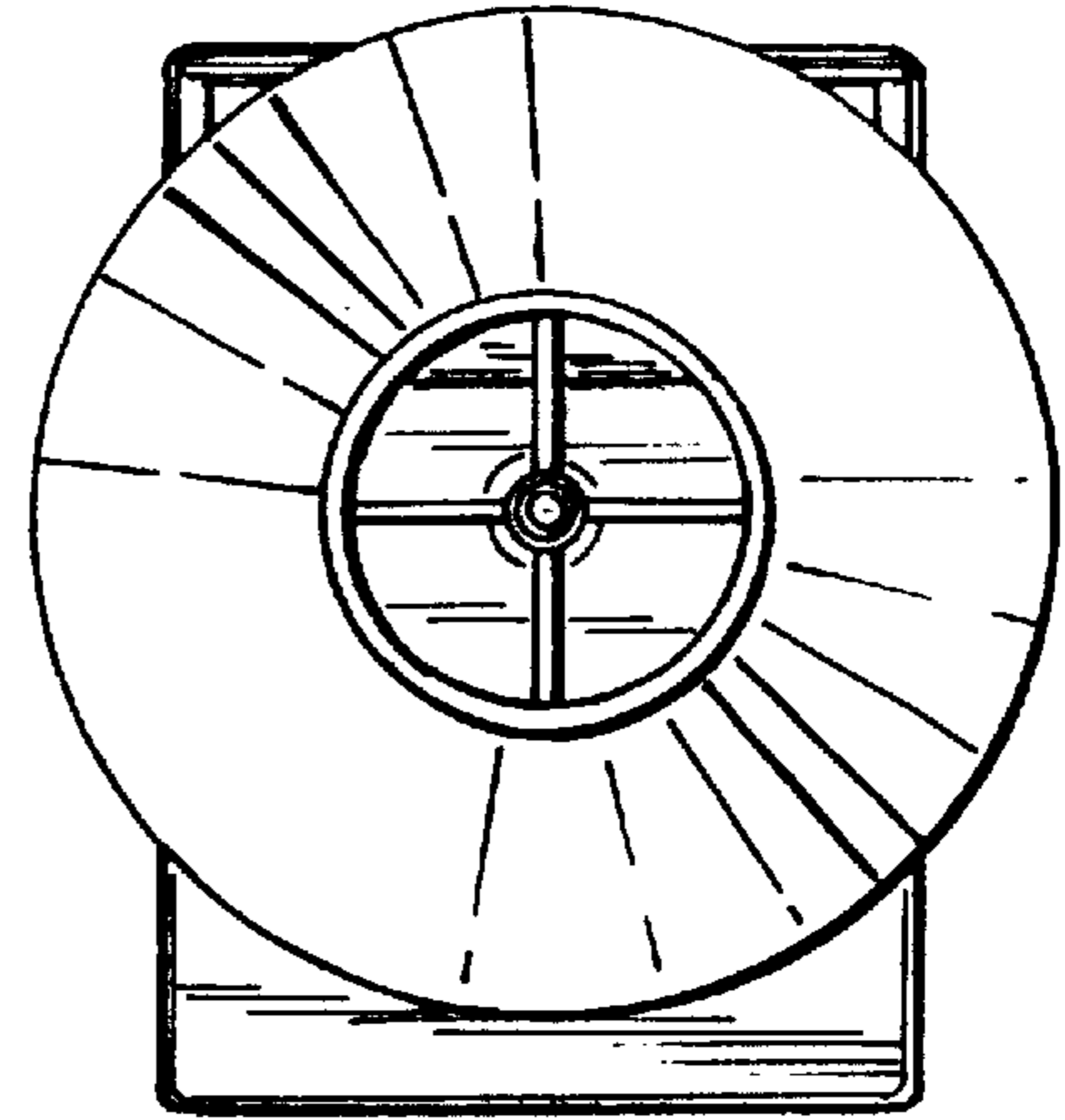
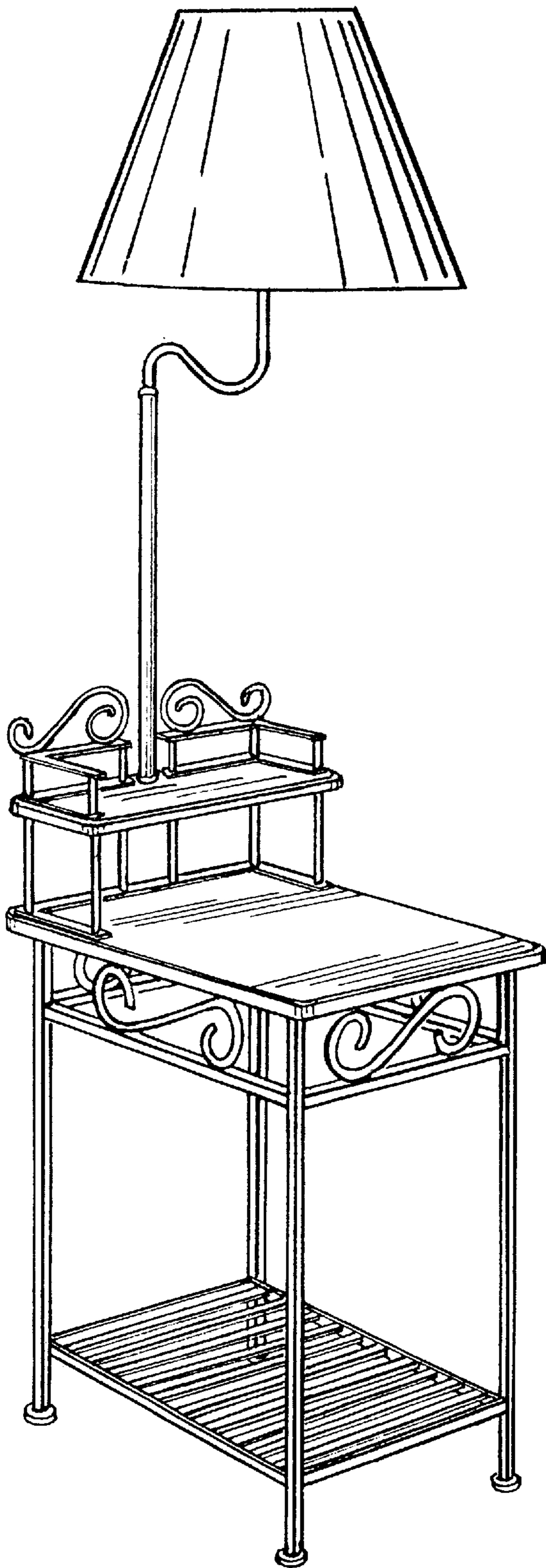


FIG. 2

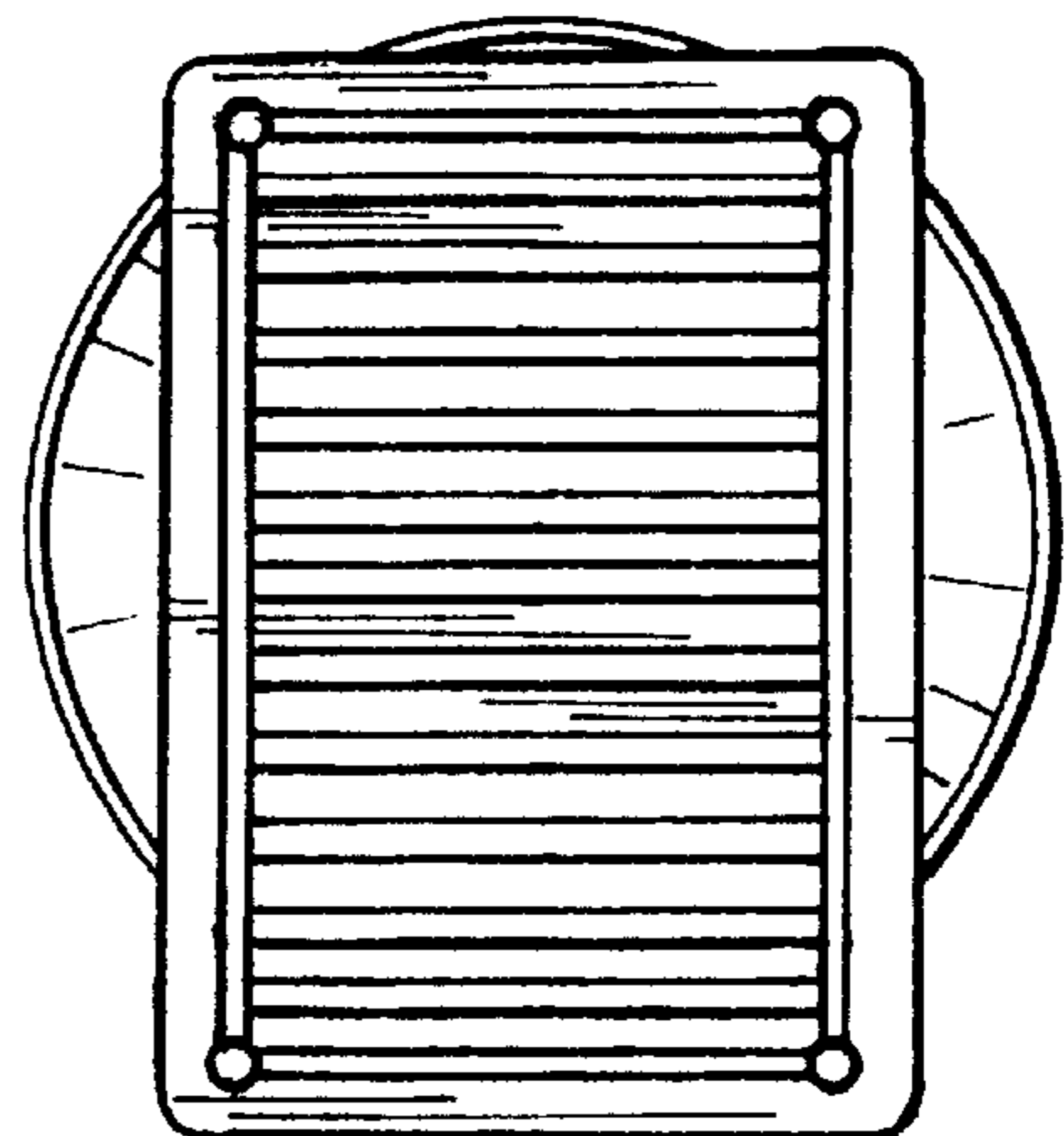


FIG. 3

FIG. 5

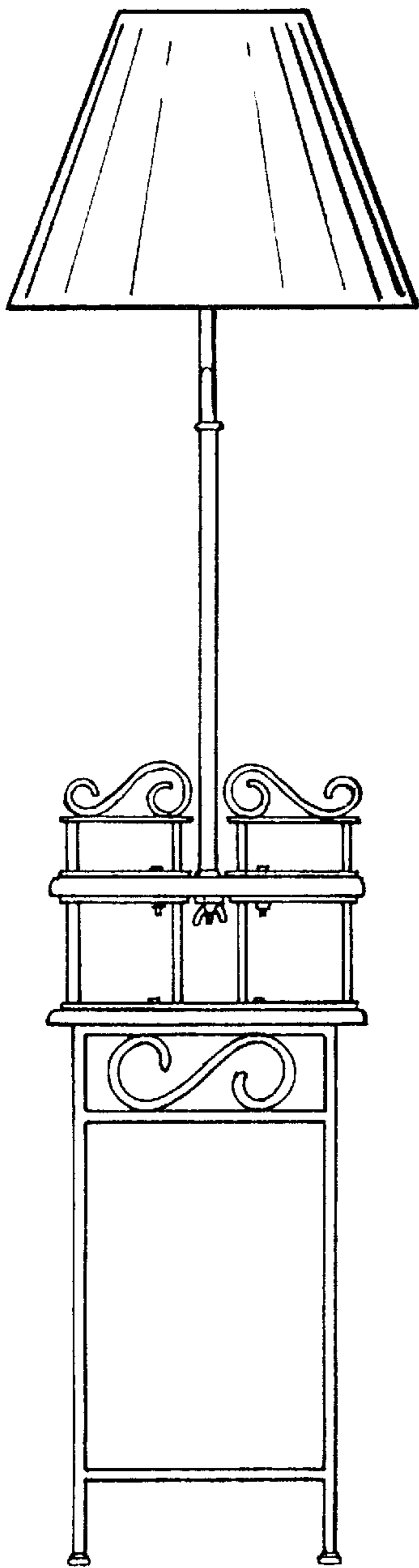


FIG. 4

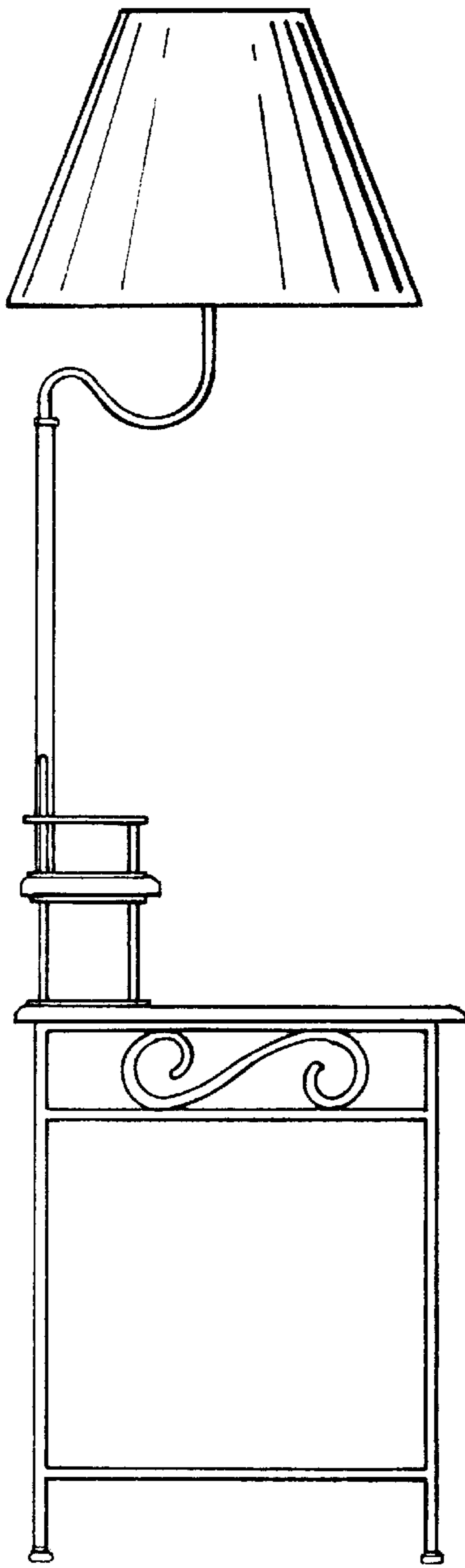


FIG. 6

