



US00D436200S

(12) **United States Design Patent**  
**Cheong et al.**

(10) **Patent No.:** **US D436,200 S**  
(45) **Date of Patent:** **\*\* Jan. 9, 2001**

(54) **SPOTLIGHT**

(75) Inventors: **Ellis Hon Siu Cheong**, Sunshine;  
**Leung Tak Lun**, Tuen Mun; **Chung Wai Wah**, Kowloon, all of (HK)

(73) Assignee: **The Brinkmann Corporation**, Dallas, TX (US)

(\*\*) Term: **14 Years**

(21) Appl. No.: **29/105,907**

(22) Filed: **Jun. 3, 1999**

(51) **LOC (7) Cl.** ..... **26-02**

(52) **U.S. Cl.** ..... **D26/45**

(58) **Field of Search** ..... D26/37-50; 362/157,  
362/158, 183-208, 258

(56) **References Cited**

**U.S. PATENT DOCUMENTS**

|            |   |         |                         |        |
|------------|---|---------|-------------------------|--------|
| D. 256,845 | * | 9/1980  | Zelina, Jr. et al. .... | D26/45 |
| D. 277,414 | * | 1/1985  | Parker et al. ....      | D26/45 |
| D. 300,470 | * | 3/1989  | Schmidt et al. ....     | D26/45 |
| D. 311,778 | * | 10/1990 | Dennis ....             | D26/45 |
| D. 342,582 | * | 12/1993 | Young ....              | D26/45 |
| D. 356,875 | * | 3/1995  | Zelina, Jr. ....        | D26/45 |
| D. 390,982 | * | 2/1998  | Wan ....                | D26/37 |

**OTHER PUBLICATIONS**

Front Cover and pp. 50, 51, 52, 53, 56, 57, 58, 59 of The Brinkmann Corporation 1997 Product Catalog.

\* cited by examiner

*Primary Examiner*—Marcus A. Jackson

(74) *Attorney, Agent, or Firm*—Sheppard, Mullin, Richter & Hampton LLP

(57) **CLAIM**

The ornamental design for a spotlight, as shown and described.

**DESCRIPTION**

FIG. 1 is a perspective view of a spotlight embodying the new design.

FIG. 2 is a left side elevational view thereof, which is a mirror image of the right side elevational view thereof.

FIG. 3 is a top plan view thereof.

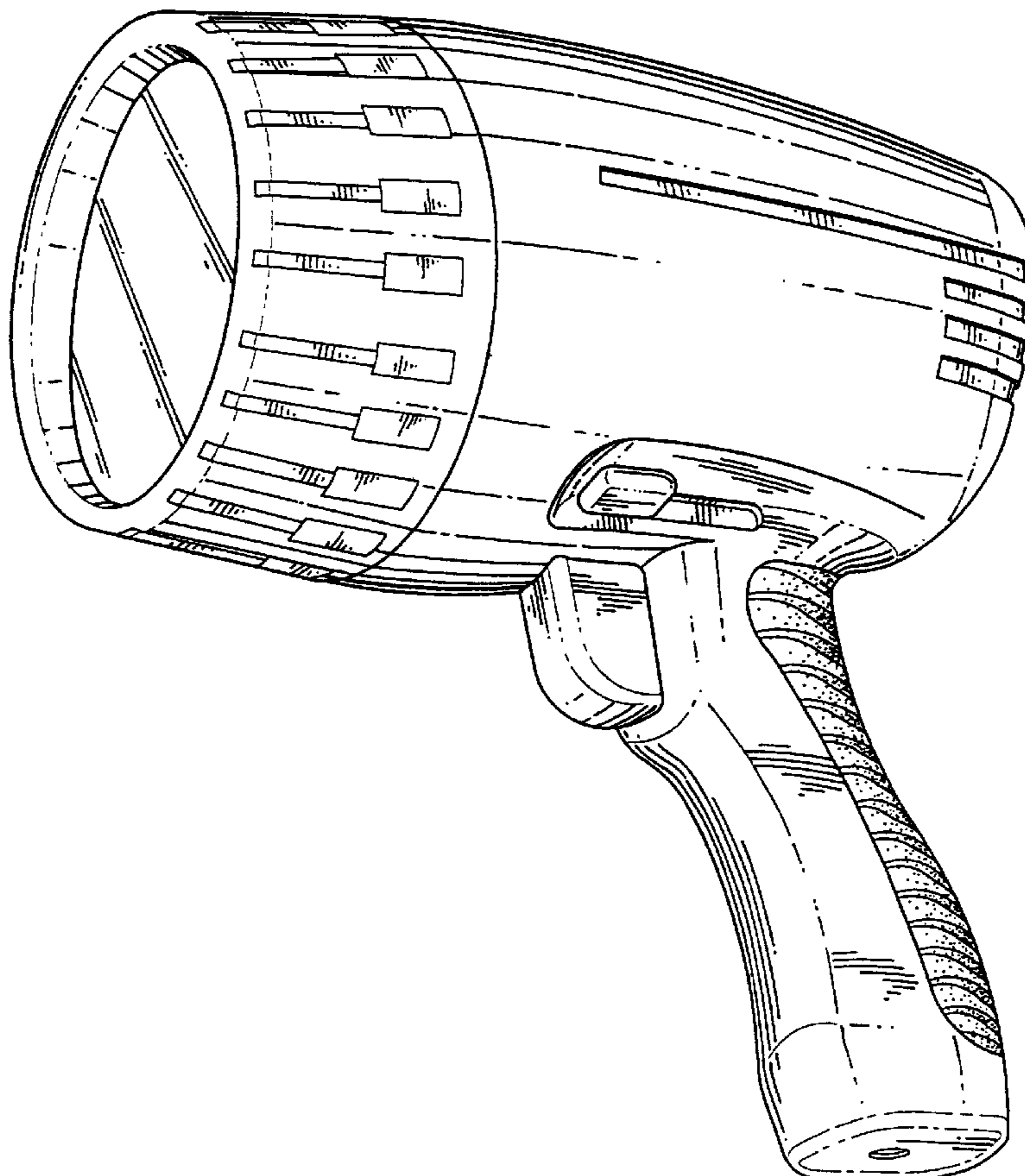
FIG. 4 is a bottom plan view thereof.

FIG. 5 is a front side elevational view thereof.

FIG. 6 is rear side elevational view thereof; and,

FIG. 7 is a left side elevational view thereof, with a retractable hang ring shown in a deployed position.

**1 Claim, 5 Drawing Sheets**



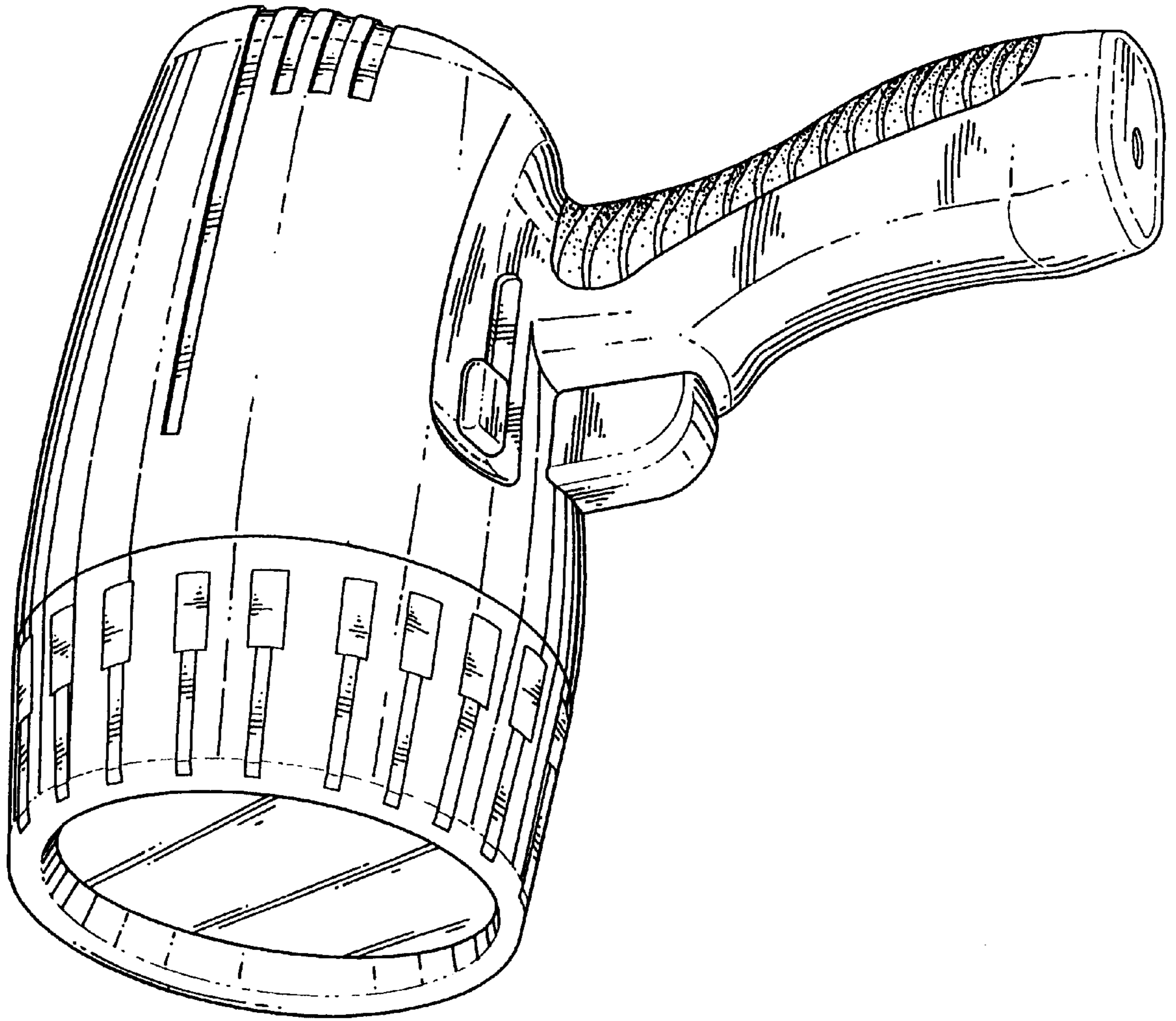


FIG. 1

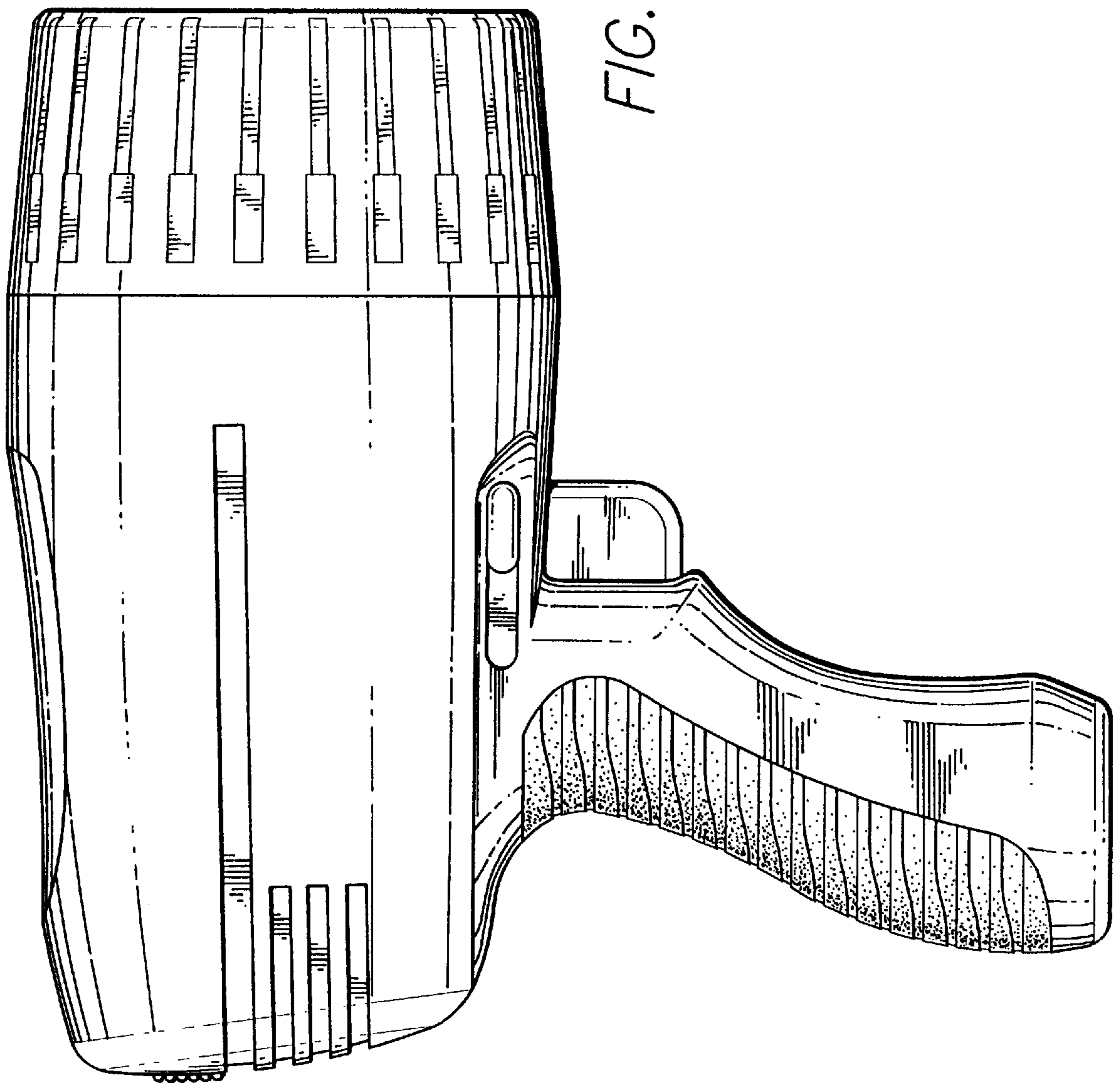


FIG. 2

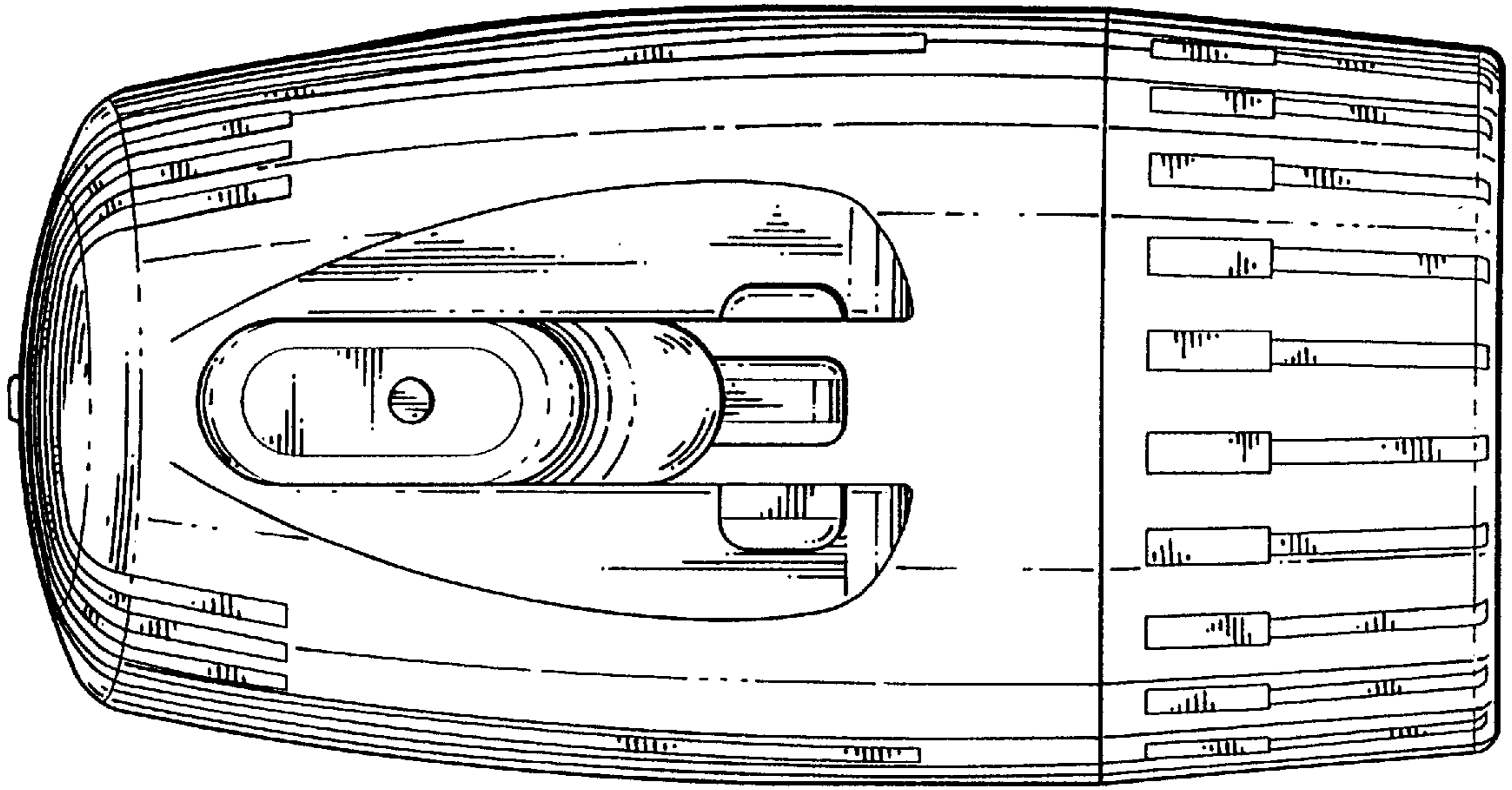


FIG. 3

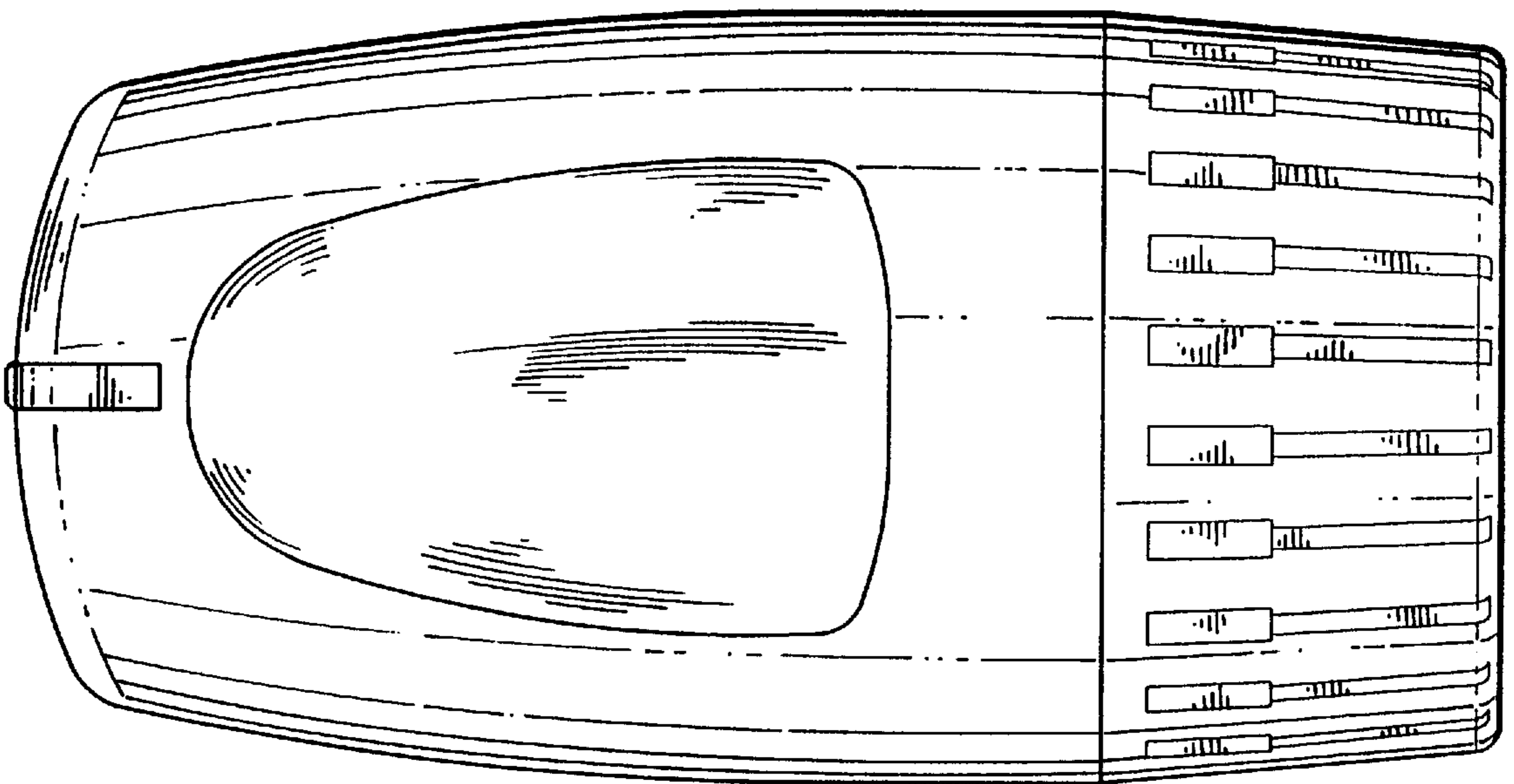


FIG. 4

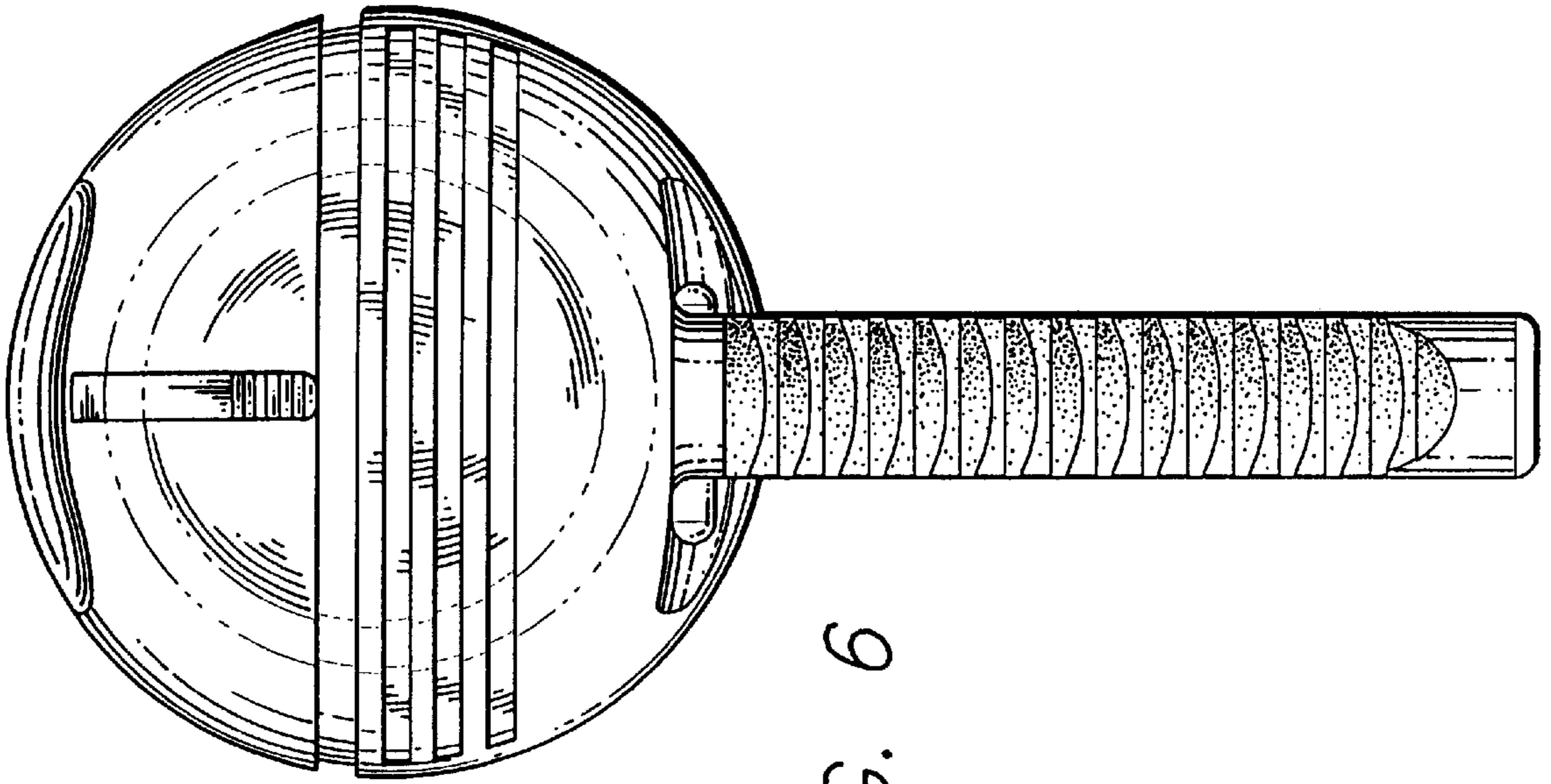


FIG. 6

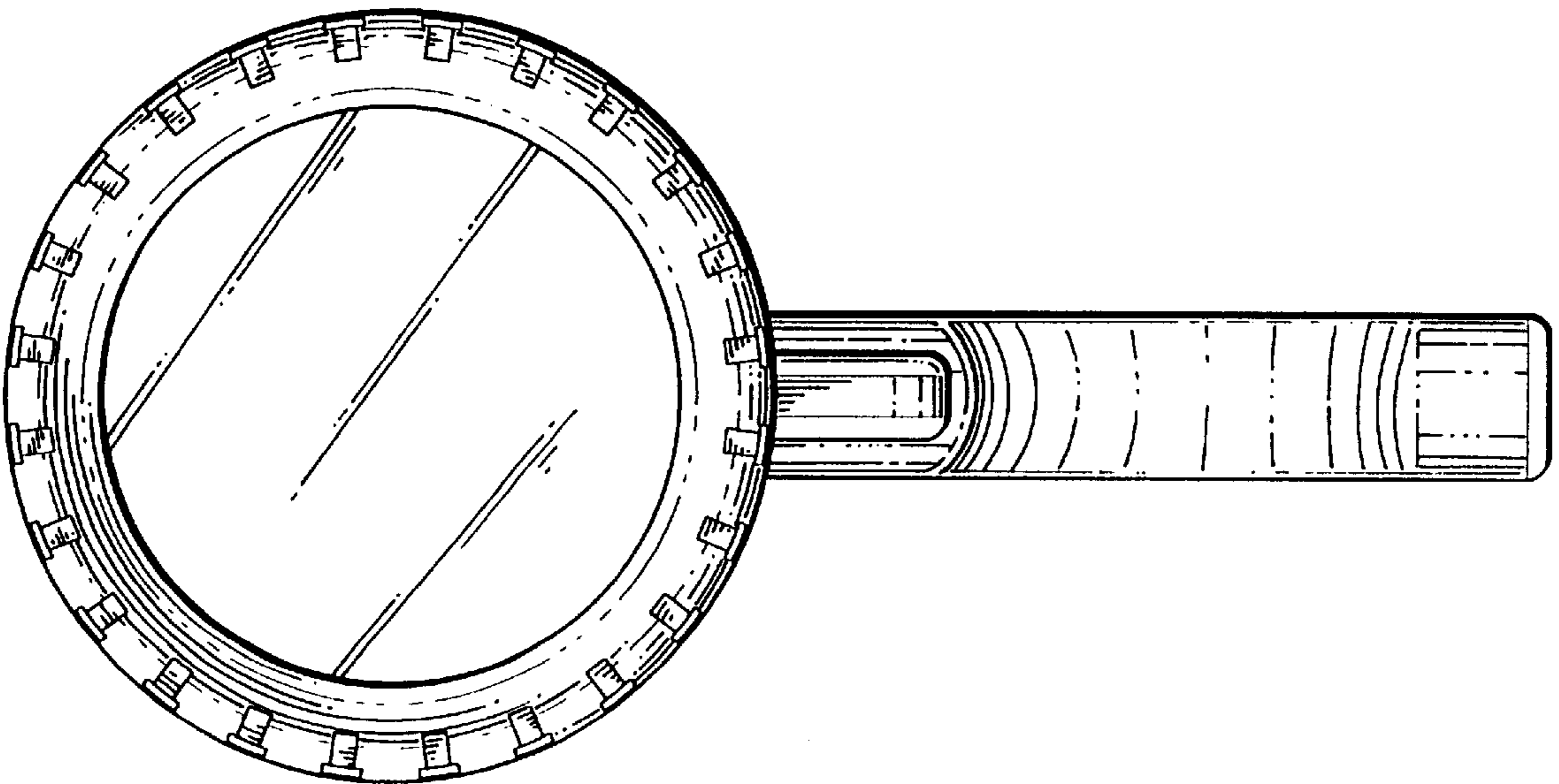


FIG. 5

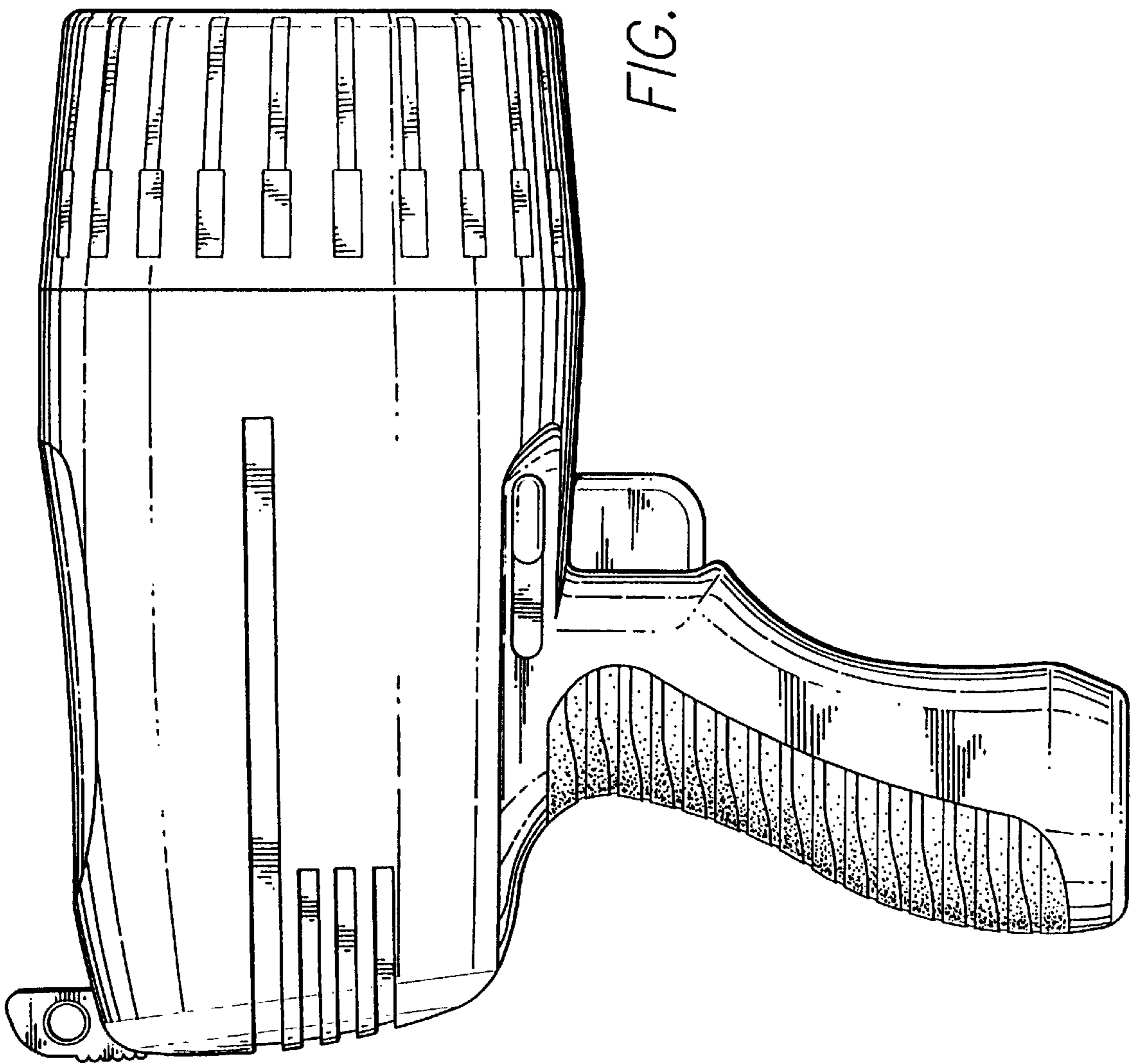


FIG. 7