



US00D436199S

(12) **United States Design Patent**
Lam

(10) **Patent No.:** **US D436,199 S**

(45) **Date of Patent:** **** Jan. 9, 2001**

(54) **HAND HELD LIGHT**

(76) Inventor: **Chi Wai Lam**, Flat F, 30th Floor, Block 2, Beverly Garden, Tseung Kwan O, Kowloon (HK)

(**) Term: **14 Years**

(21) Appl. No.: **29/114,627**

(22) Filed: **Nov. 29, 1999**

(51) **LOC (7) Cl.** **26-02**

(52) **U.S. Cl.** **D26/42**

(58) **Field of Search** D26/37-50; 362/157, 362/158, 183-208

(56) **References Cited**

U.S. PATENT DOCUMENTS

D. 346,871	*	5/1994	Zeller	D26/42
D. 364,936	*	12/1995	Leung	D26/42
D. 375,374	*	11/1996	Yuen	D26/42
D. 416,101	*	11/1999	Yuen	D26/42
D. 418,237	*	12/1999	Yuen	D26/42
D. 423,127	*	4/2000	Yuen	D26/42

* cited by examiner

Primary Examiner—Marcus A. Jackson

(74) *Attorney, Agent, or Firm*—Sheridan Ross P.C.

(57) **CLAIM**

The ornamental design for a hand held light, as shown and described.

DESCRIPTION

FIG. 1 is a front perspective view of a hand held light showing my new design;

FIG. 2 is a front elevation view of the invention illustrated in FIG. 1;

FIG. 3 is a rear elevation view of the invention illustrated in FIG. 1;

FIG. 4 is a left elevation view of the invention illustrated in FIG. 1;

FIG. 5 is a right elevation view of the invention illustrated in FIG. 1;

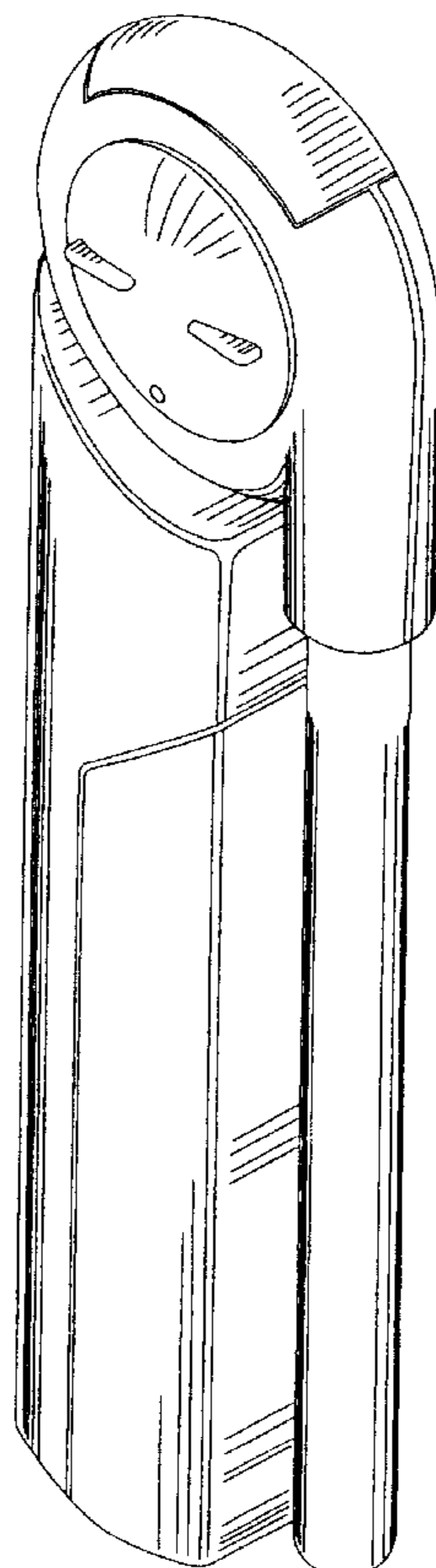
FIG. 6 is a top plan view of the invention illustrated in FIG. 1;

FIG. 7 is a bottom plan view of the invention illustrated in FIG. 1;

FIG. 8 is a front perspective view of the invention illustrated in FIG. 1 with the lighting element shown in a first open position; and,

FIG. 9 is a front perspective view of the invention illustrated in FIG. 1 with the lighting element shown in a second open position.

1 Claim, 6 Drawing Sheets



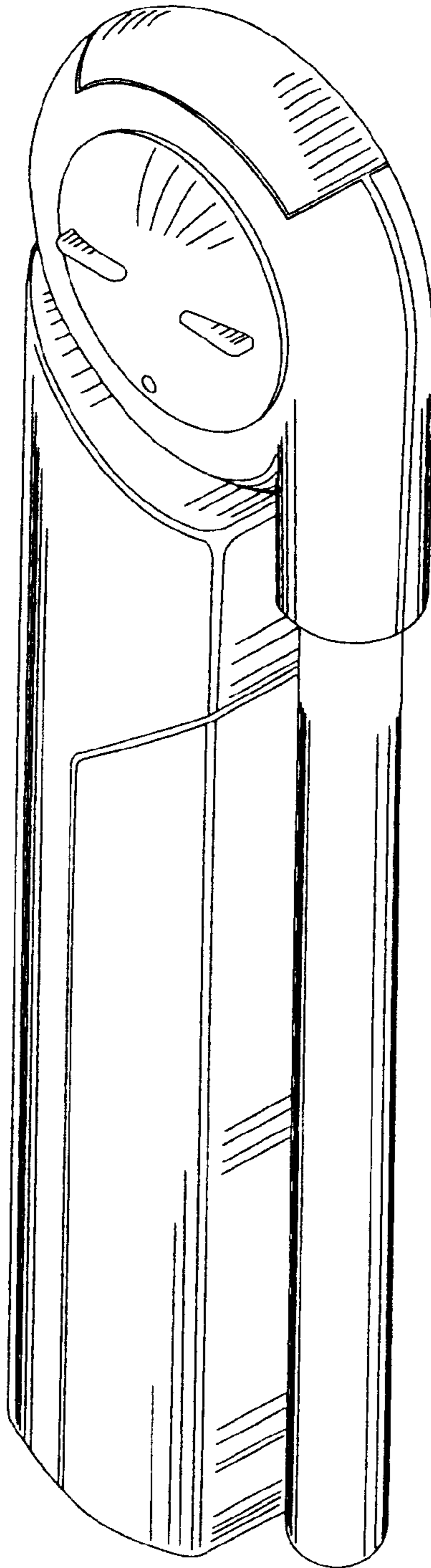


Fig. 1

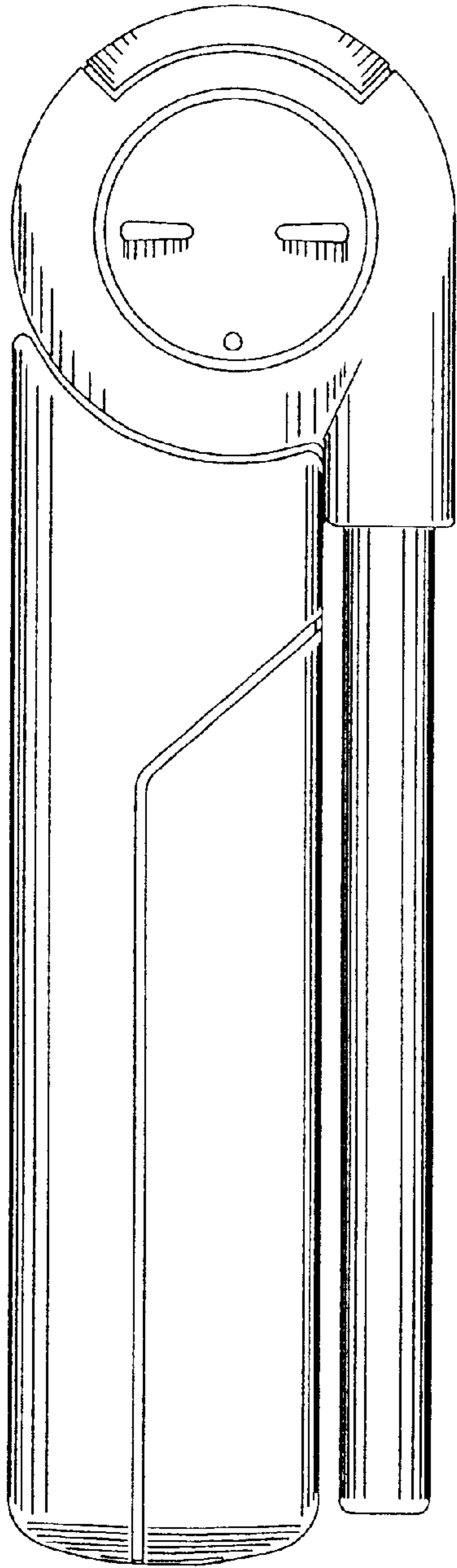


Fig. 2

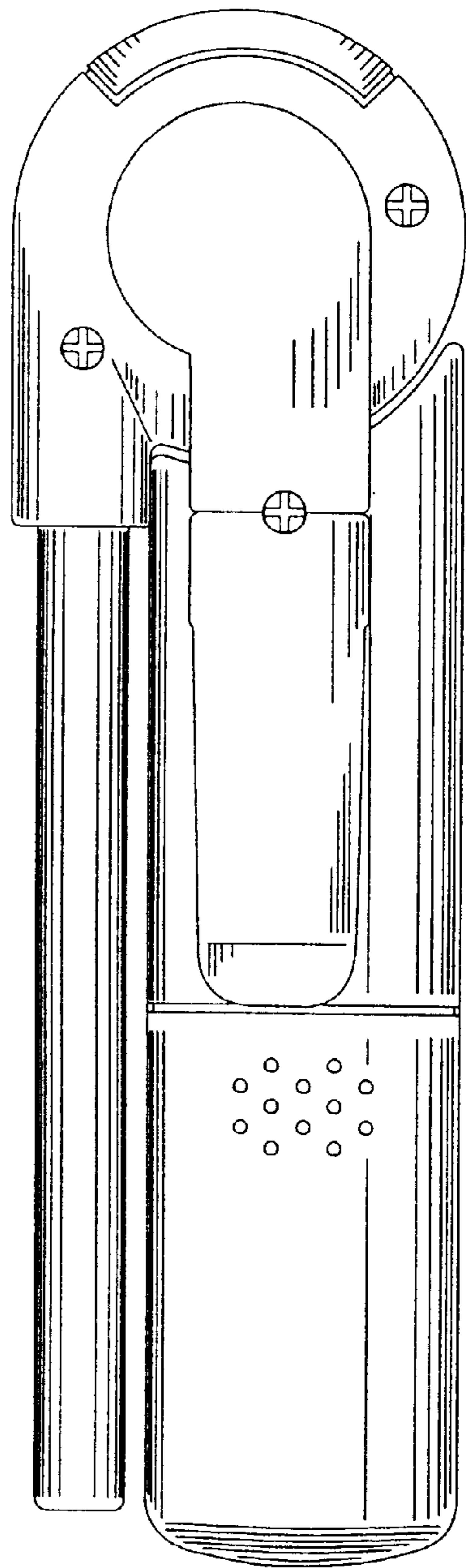


Fig. 3

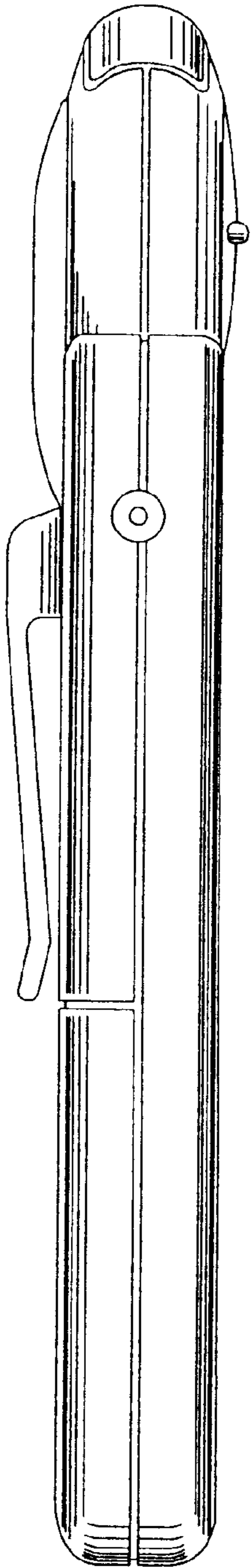


Fig. 4

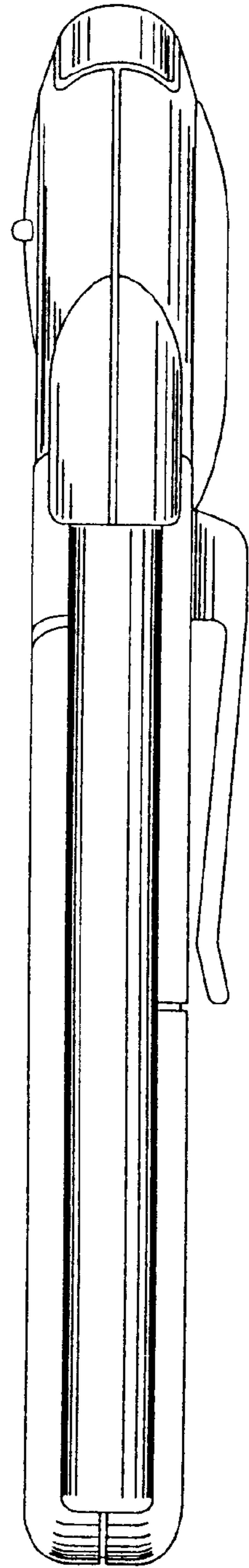


Fig. 5

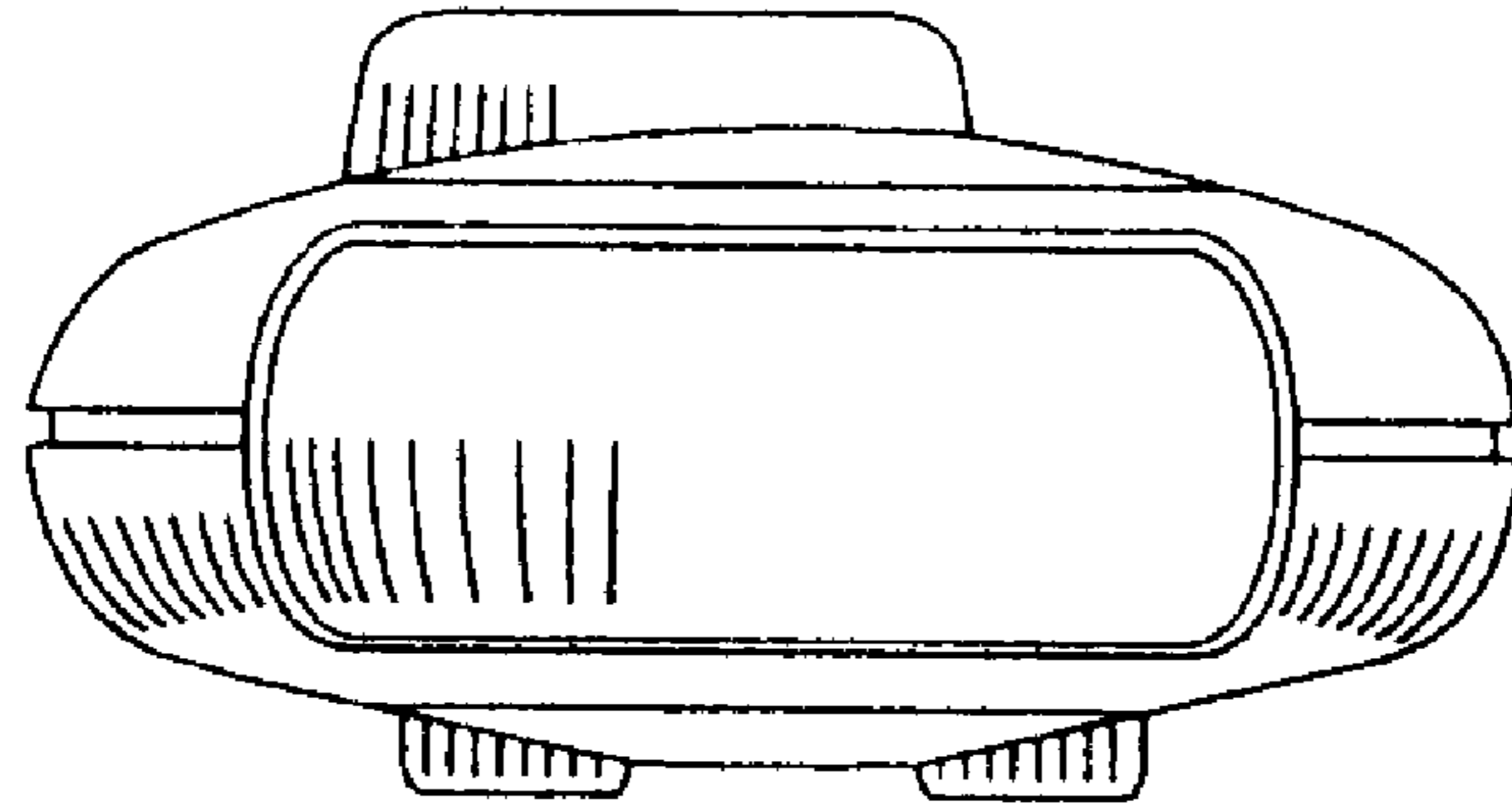


Fig. 6

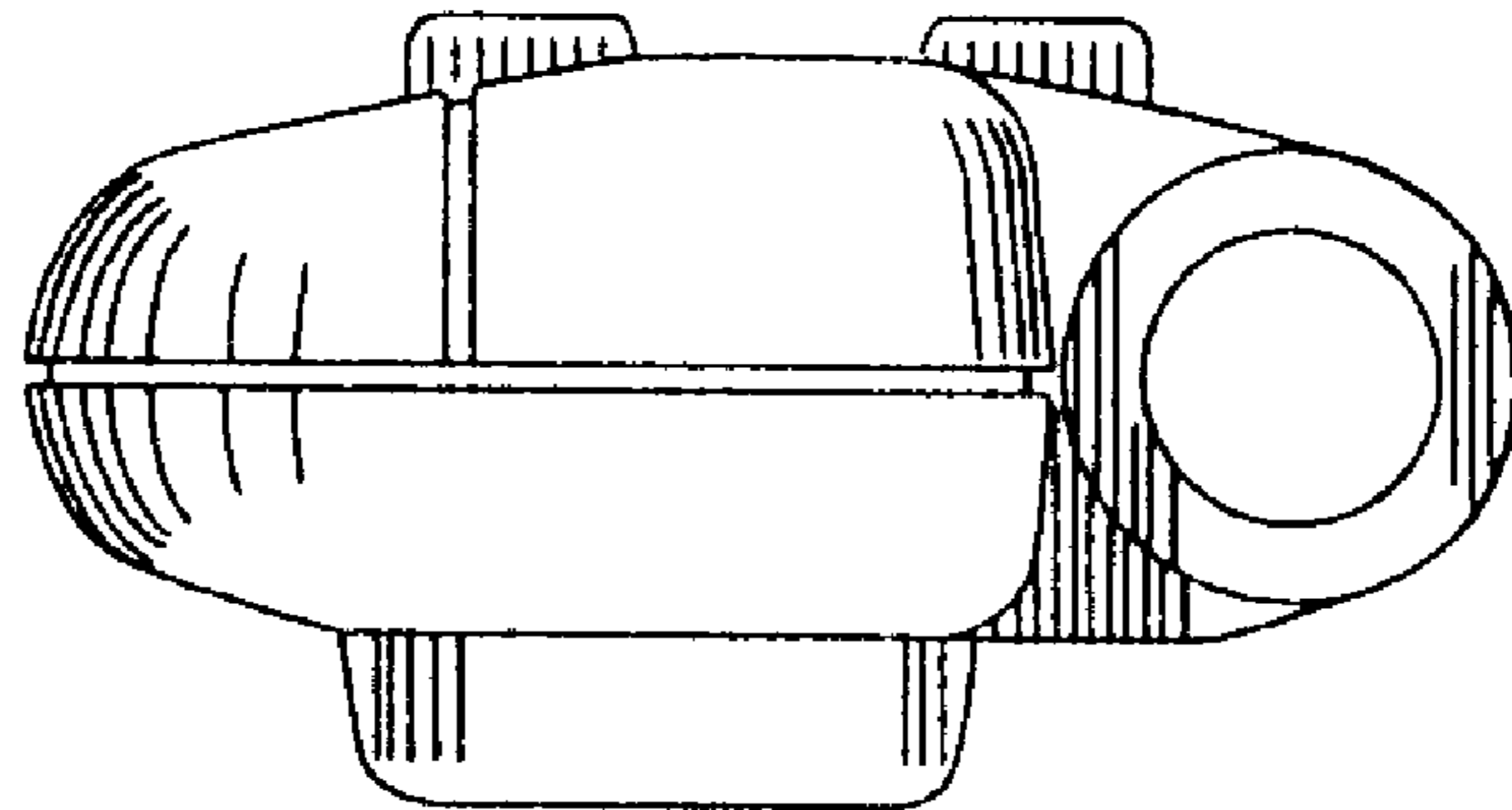


Fig. 7

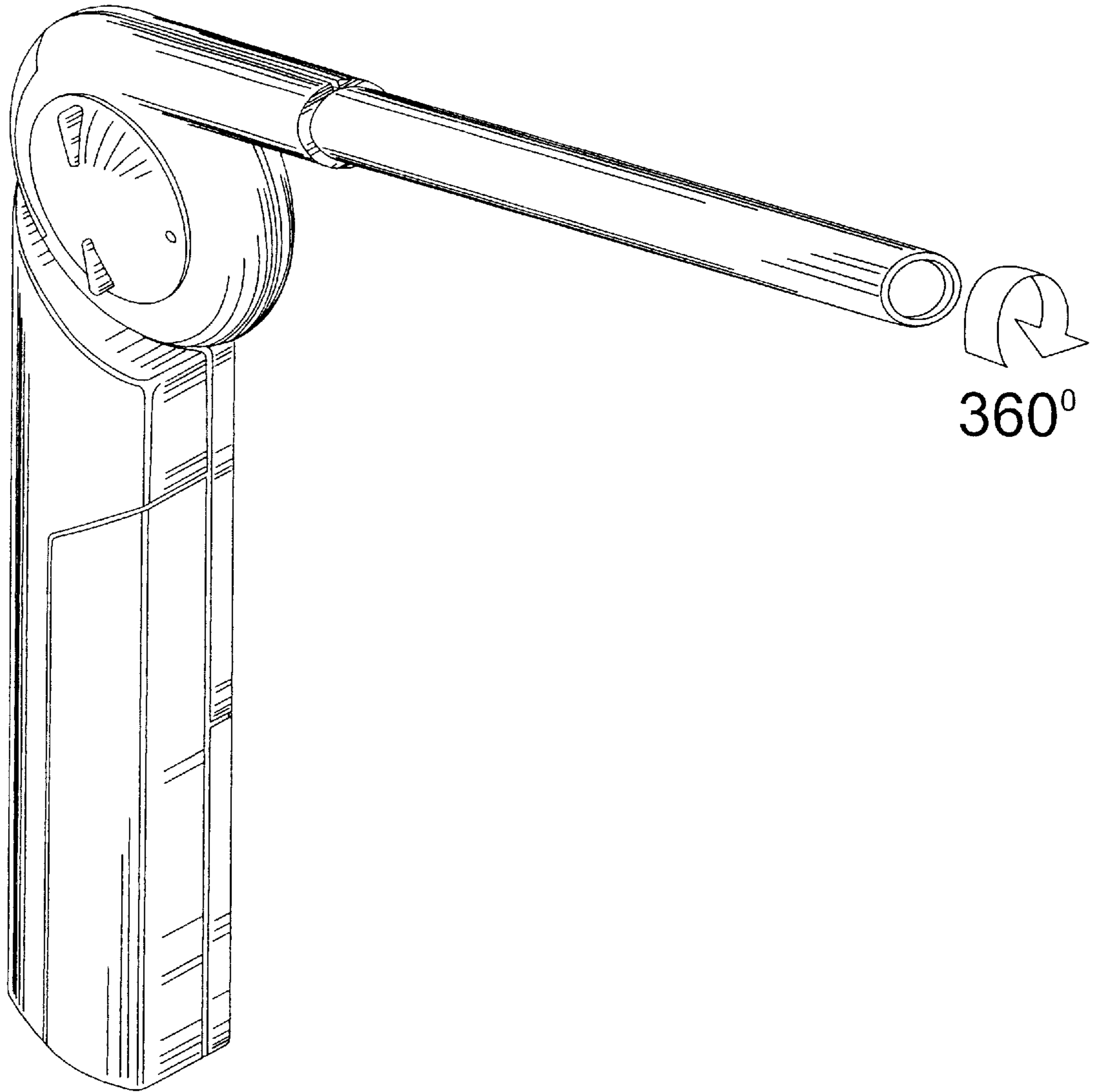


Fig. 8

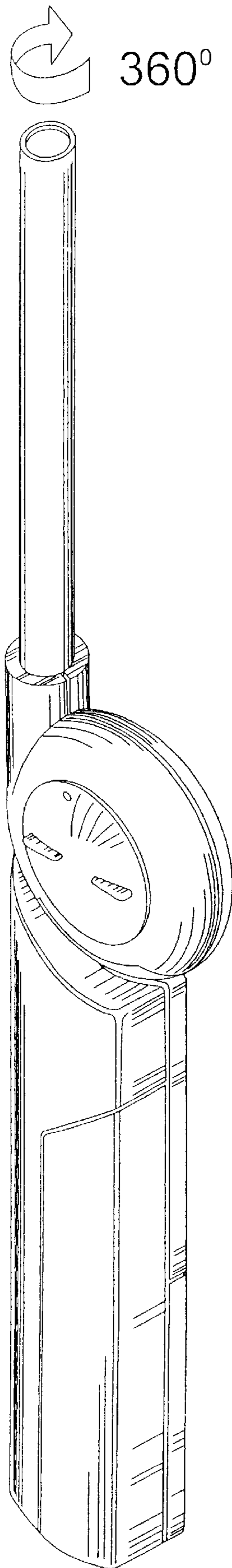


Fig. 9