



US00D436198S

(12) **United States Design Patent**
Yuen

(10) **Patent No.:** **US D436,198 S**

(45) **Date of Patent:** **** Jan. 9, 2001**

(54) **COMBINED RECHARGEABLE PEN LIGHT AND RECHARGER**

D. 413,097 * 8/1999 Chang D13/107
5,587,645 * 12/1996 Sciammarella et al. 320/2

(75) Inventor: **Se Kit Yuen, Kowloon (HK)**

* cited by examiner

(73) Assignee: **John Manufacturing Limited, Kowloon (HK)**

Primary Examiner—Susan J. Lucas

(**) Term: **14 Years**

(74) *Attorney, Agent, or Firm*—Pillsbury Madison & Sutro LLP

(21) Appl. No.: **29/094,692**

(22) Filed: **Oct. 7, 1998**

(57) **CLAIM**

The ornamental design for a combined rechargeable pen light and recharger, as shown and described.

(30) **Foreign Application Priority Data**

DESCRIPTION

Jul. 11, 1998 (HK) 9810937

(51) **LOC (7) Cl.** **26-02**

(52) **U.S. Cl.** **D26/38**

(58) **Field of Search** D26/37-50; 362/86,
362/87, 183-208; D13/108; 320/110, 115,
113

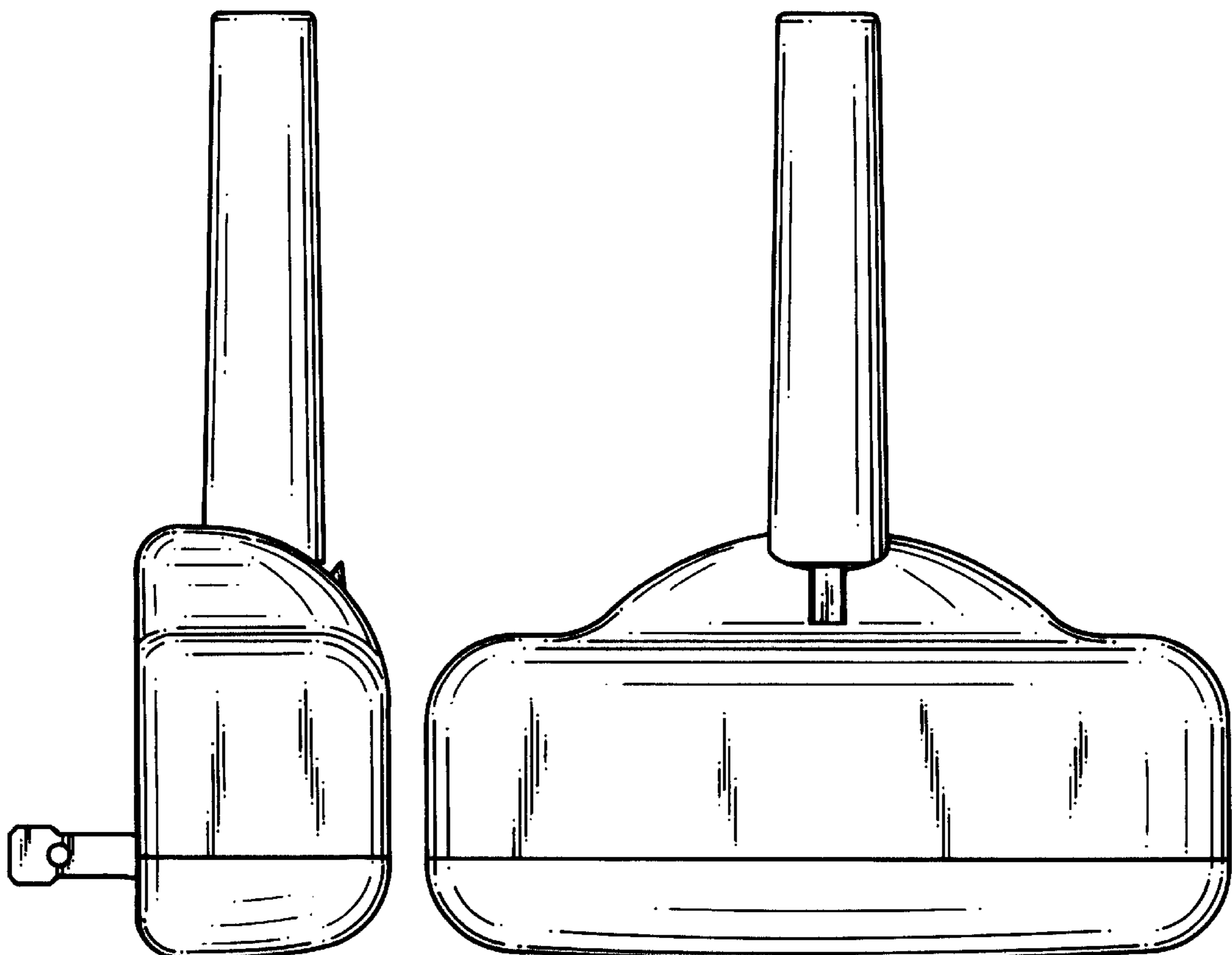
FIG. 1 a front elevation of a combined rechargeable pen light and recharger showing a first embodiment my design;
FIG. 2 is a left side elevation thereof;
FIG. 3 is a right side elevation thereof;
FIG. 4 is a rear elevation thereof;
FIG. 5 is a top plan view thereof;
FIG. 6 is a bottom plan view thereof.
FIG. 7 is a front elevation of the pen light, the recharger being omitted for purposes of disclosure;
FIG. 8 is a rear elevation view thereof;
FIG. 9 is a side elevation view thereof;
FIG. 10 is an opposite side elevation thereof;
FIG. 11 is a top plan view thereof; and,
FIG. 12 is a bottom plan view thereof.

(56) **References Cited**

U.S. PATENT DOCUMENTS

- D. 210,732 * 4/1968 Anderson D13/108
- D. 244,796 * 6/1977 Staub D26/49
- D. 347,079 * 5/1994 Hung et al. D26/38
- D. 357,990 * 5/1995 Cheng et al. D26/37

1 Claim, 4 Drawing Sheets



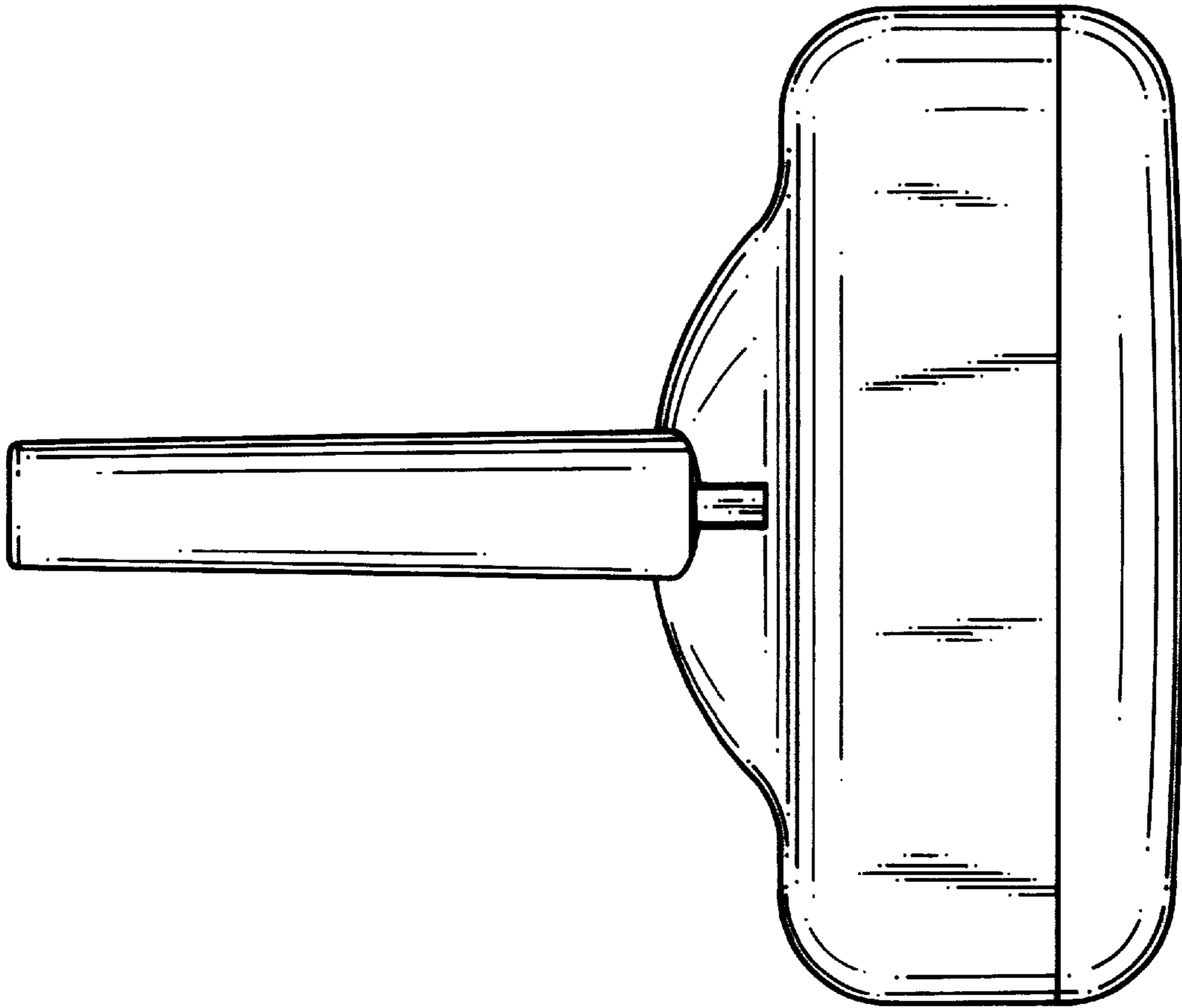


FIG. 1

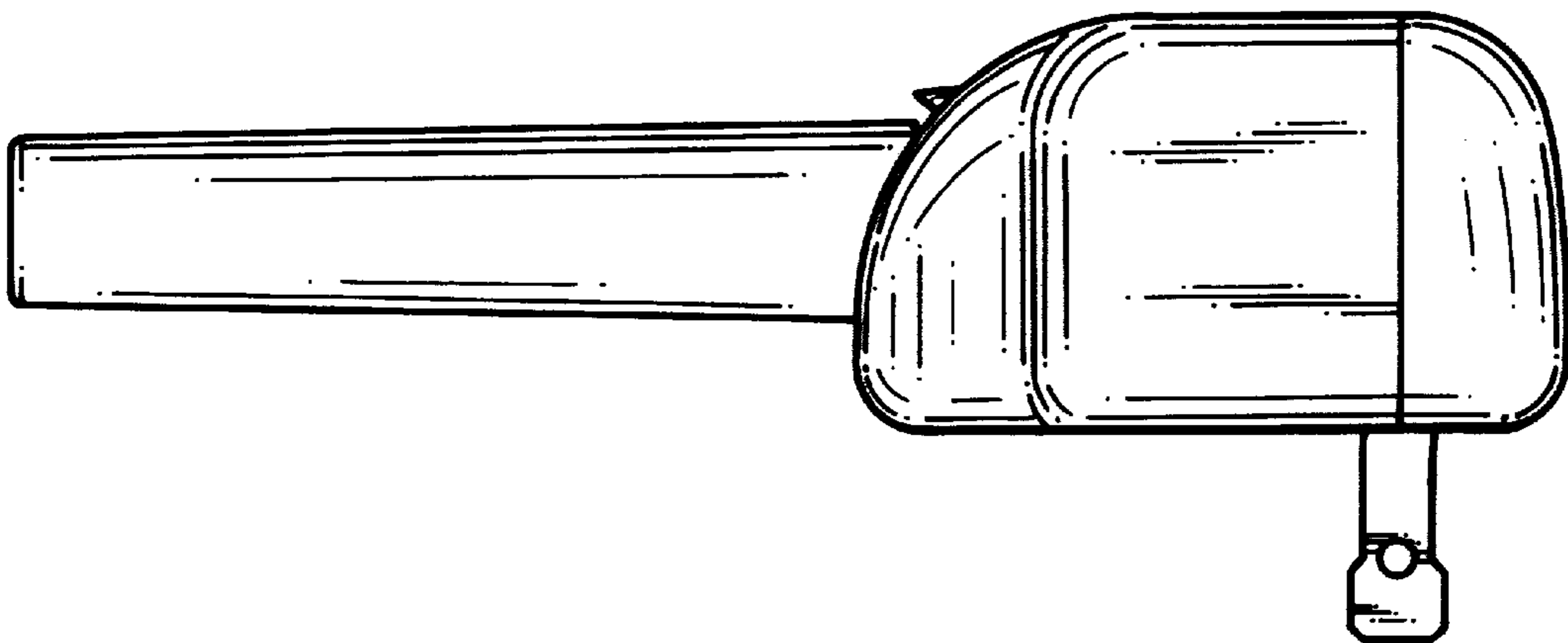


FIG. 2

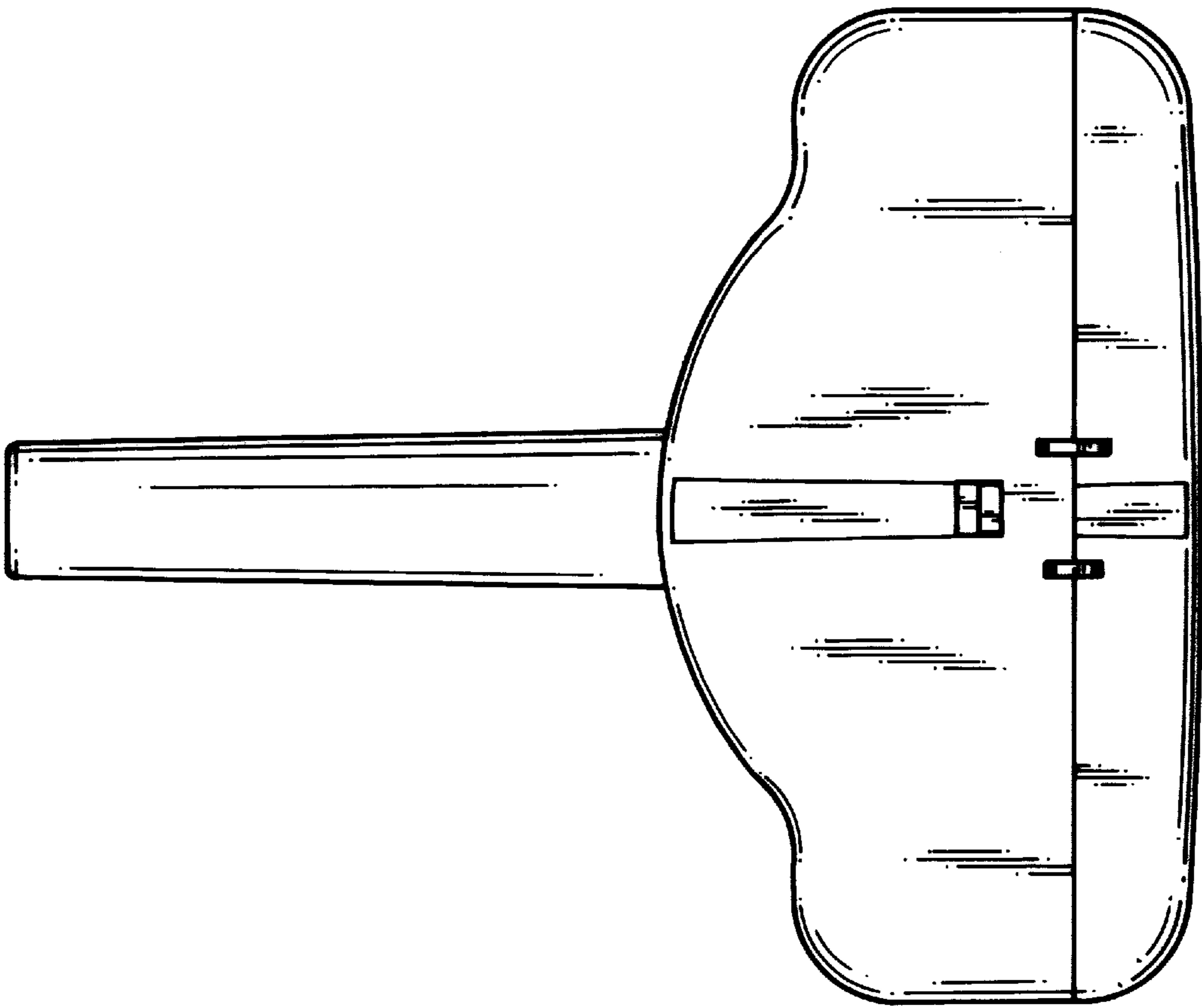


FIG. 4

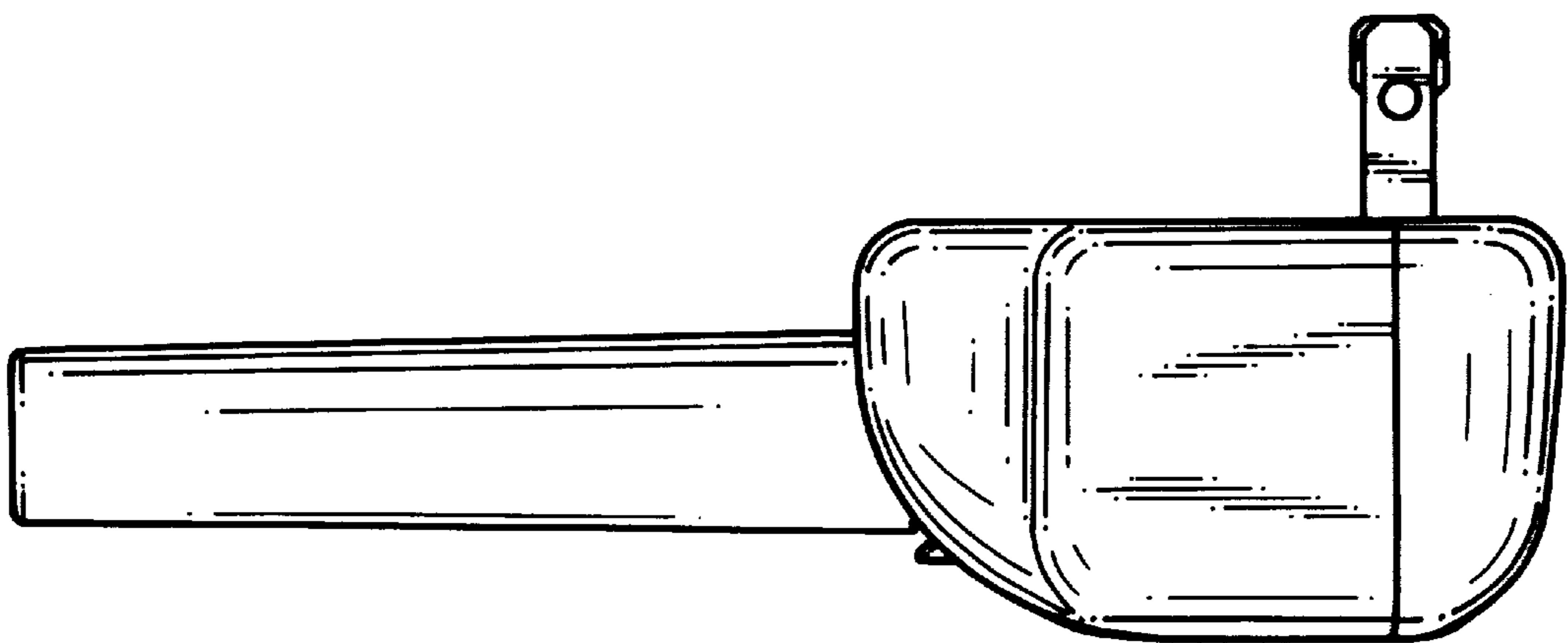


FIG. 3

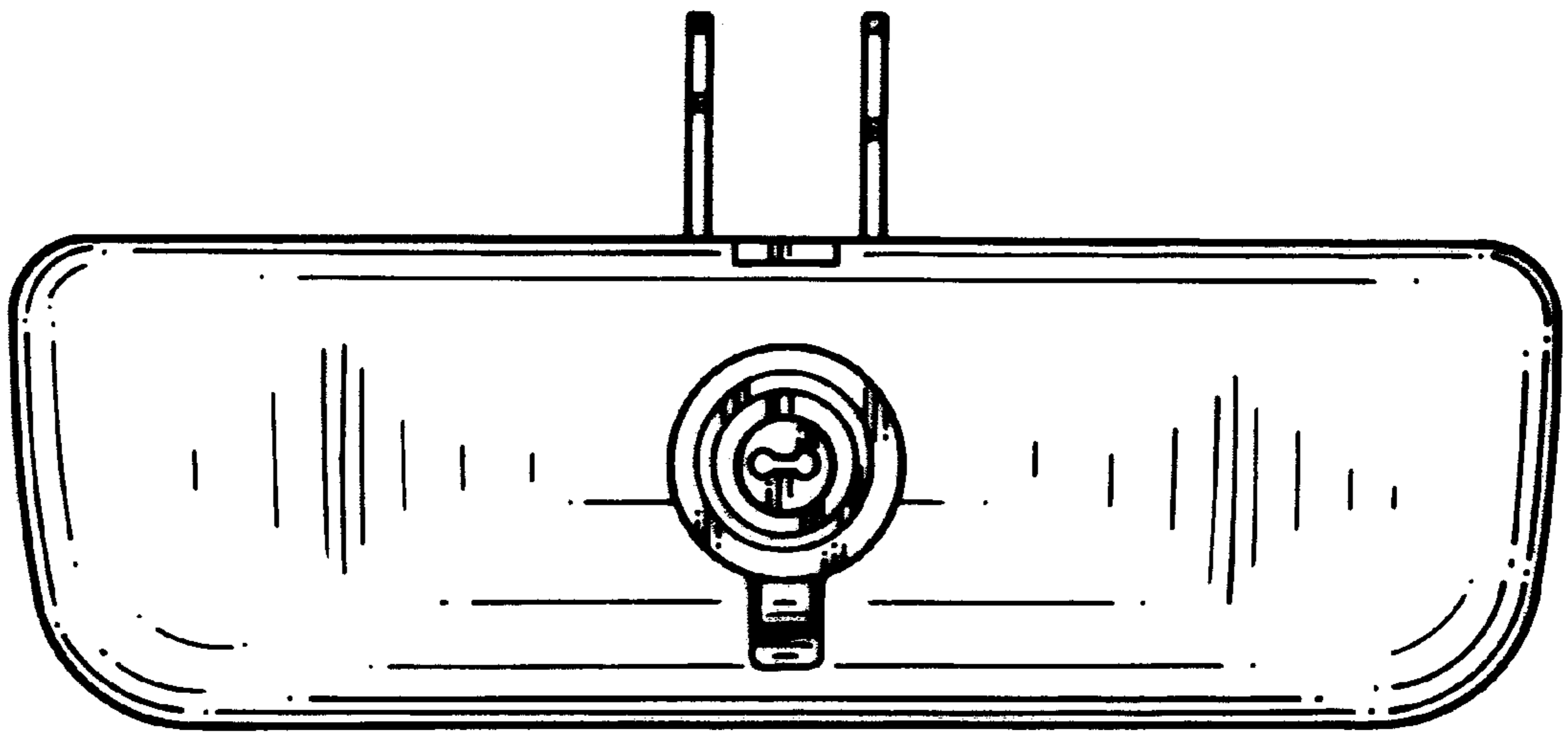


FIG. 5

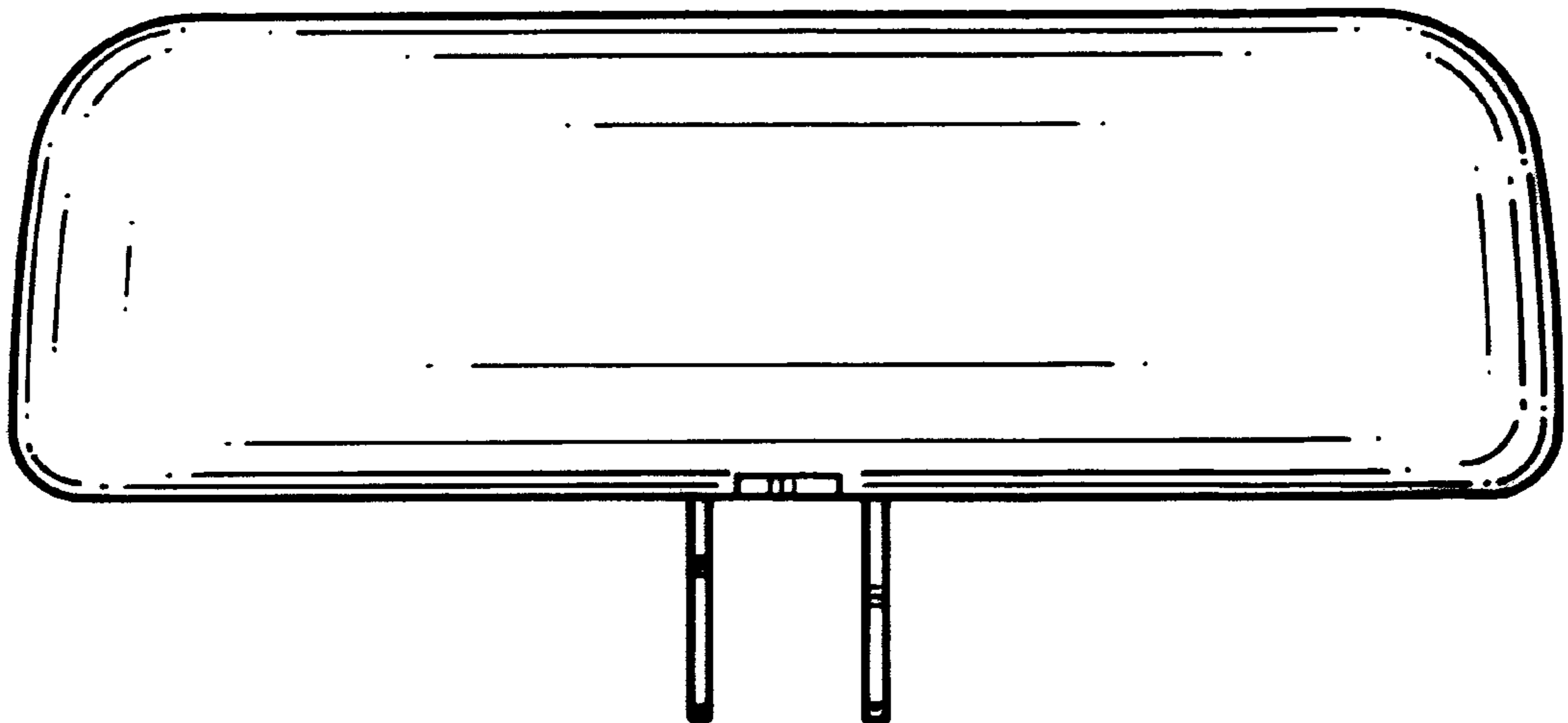


FIG. 6

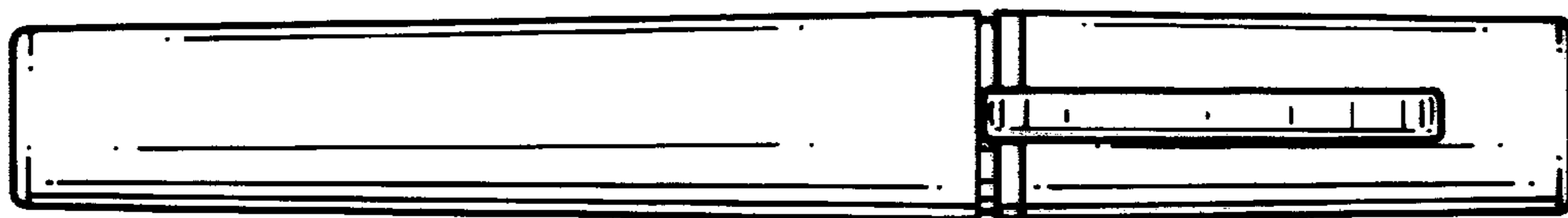


FIG. 7

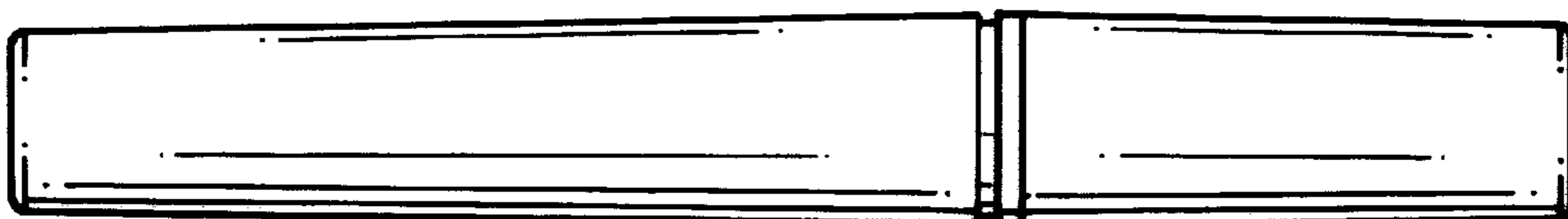


FIG. 8

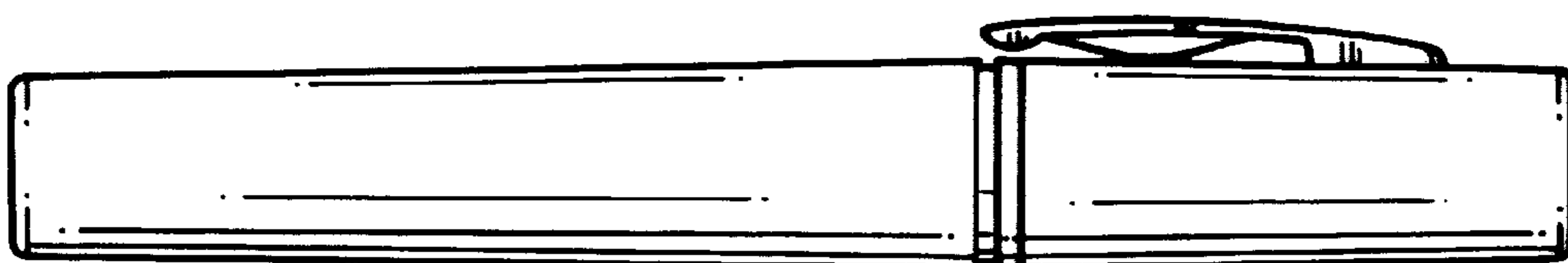


FIG. 9

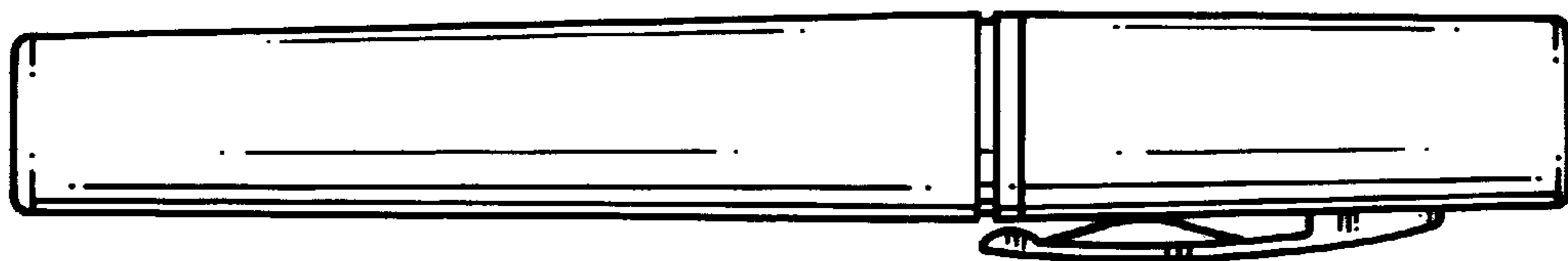


FIG. 10

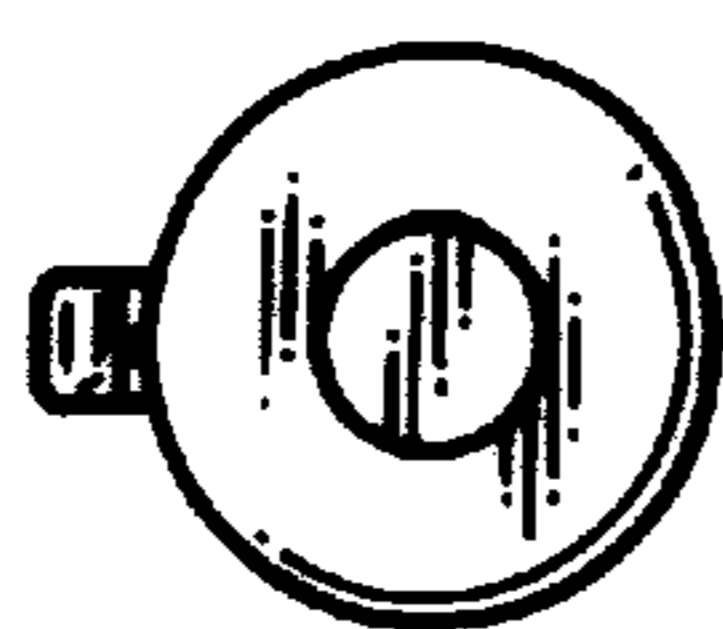


FIG. 11

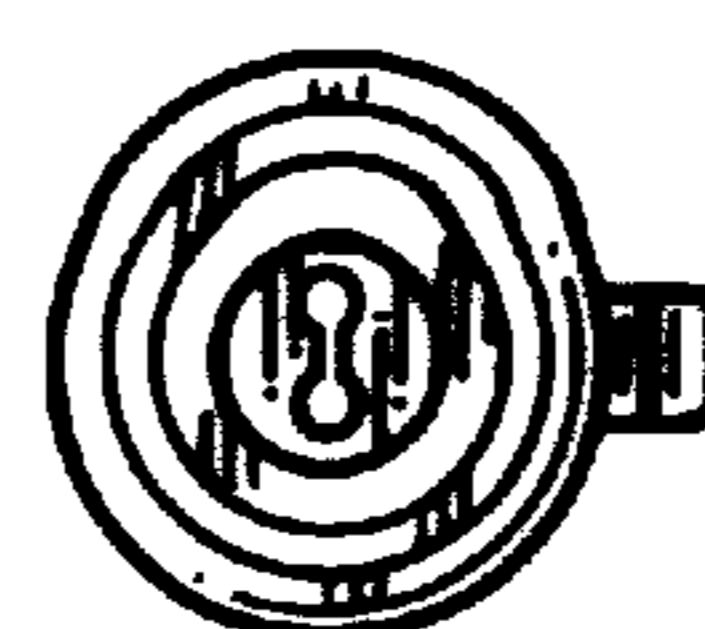


FIG. 12