



US00D436197S

(12) **United States Design Patent**
Hutchinson et al.

(10) **Patent No.:** **US D436,197 S**

(45) **Date of Patent:** **** Jan. 9, 2001**

(54) **ELECTRIC TORCH**

(75) Inventors: **Edward Hutchinson; Pierre Becker,**
both of Cape Town (SA)

(73) Assignee: **Freeplay Market Development LTD,**
London (GB)

(**) Term: **14 Years**

(21) Appl. No.: **29/115,770**

(22) Filed: **Dec. 20, 1999**

(51) **LOC (7) Cl.** **26-02**

(52) **U.S. Cl.** **D26/37**

(58) **Field of Search** D26/37-50; 362/157,
362/158, 171, 183-208

(56) **References Cited**

U.S. PATENT DOCUMENTS

- D. 362,078 * 9/1995 Sanders D26/37
- D. 404,154 * 1/1999 Breit D26/37
- D. 425,643 * 5/2000 Jigamian et al. D26/46
- D. 428,176 * 7/2000 Bamber et al. D26/46

* cited by examiner

Primary Examiner—Marcus A. Jackson

(74) *Attorney, Agent, or Firm*—Cobrin & Gittes

(57) **CLAIM**

The ornamental design for an electric torch, as shown and described.

DESCRIPTION

FIG. 1 is a front perspective view of an electric torch in accordance with the invention;

FIG. 2 is a rear perspective view thereof;

FIG. 3 is a right side view thereof;

FIG. 4 is a left side view thereof;

FIG. 5 is a top view thereof;

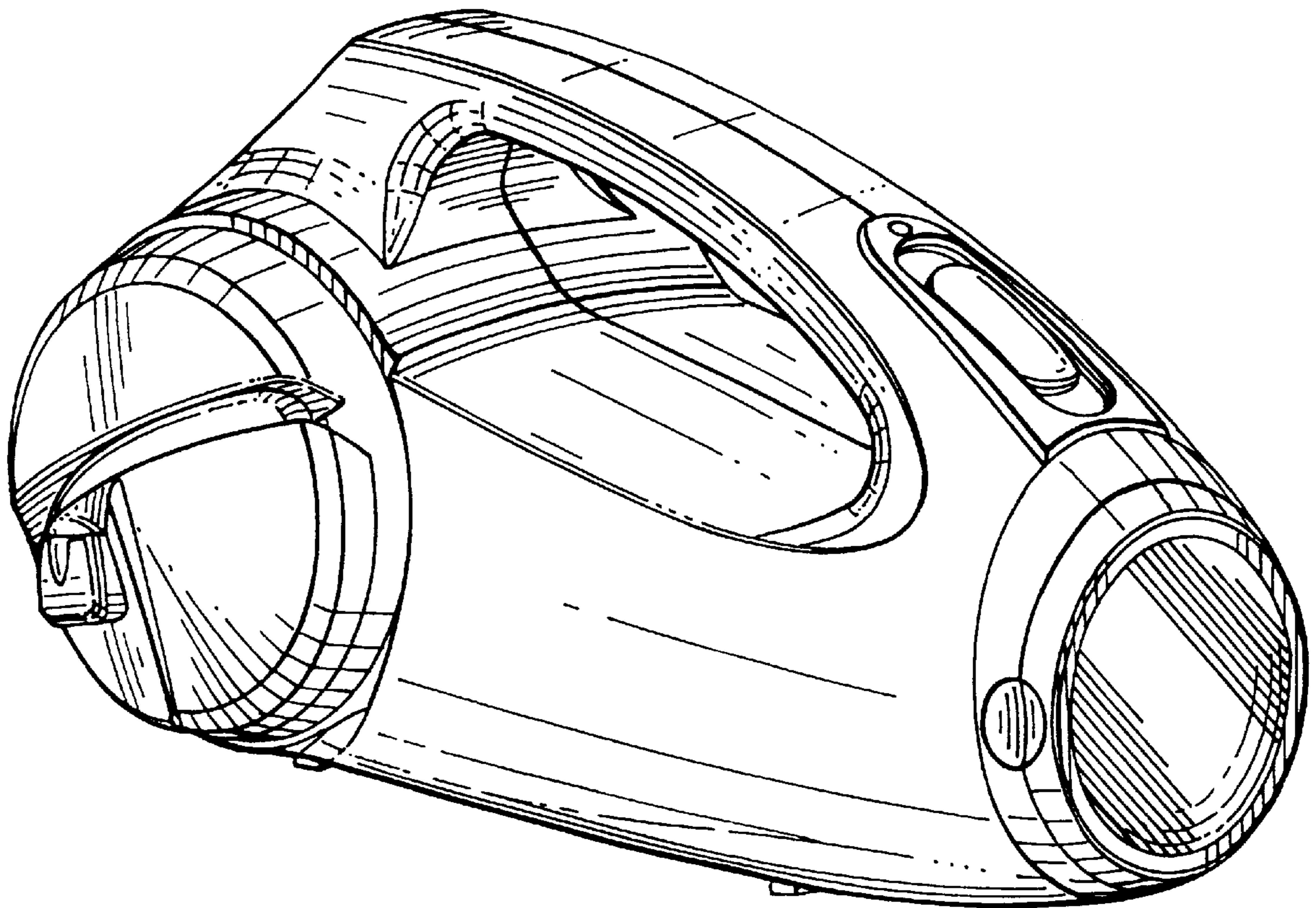
FIG. 6 is a bottom view thereof;

FIG. 7 is a front view thereof; and,

FIG. 8 is a rear view thereof.

The underside of the handle of the electric torch is plain and unornamented.

1 Claim, 6 Drawing Sheets



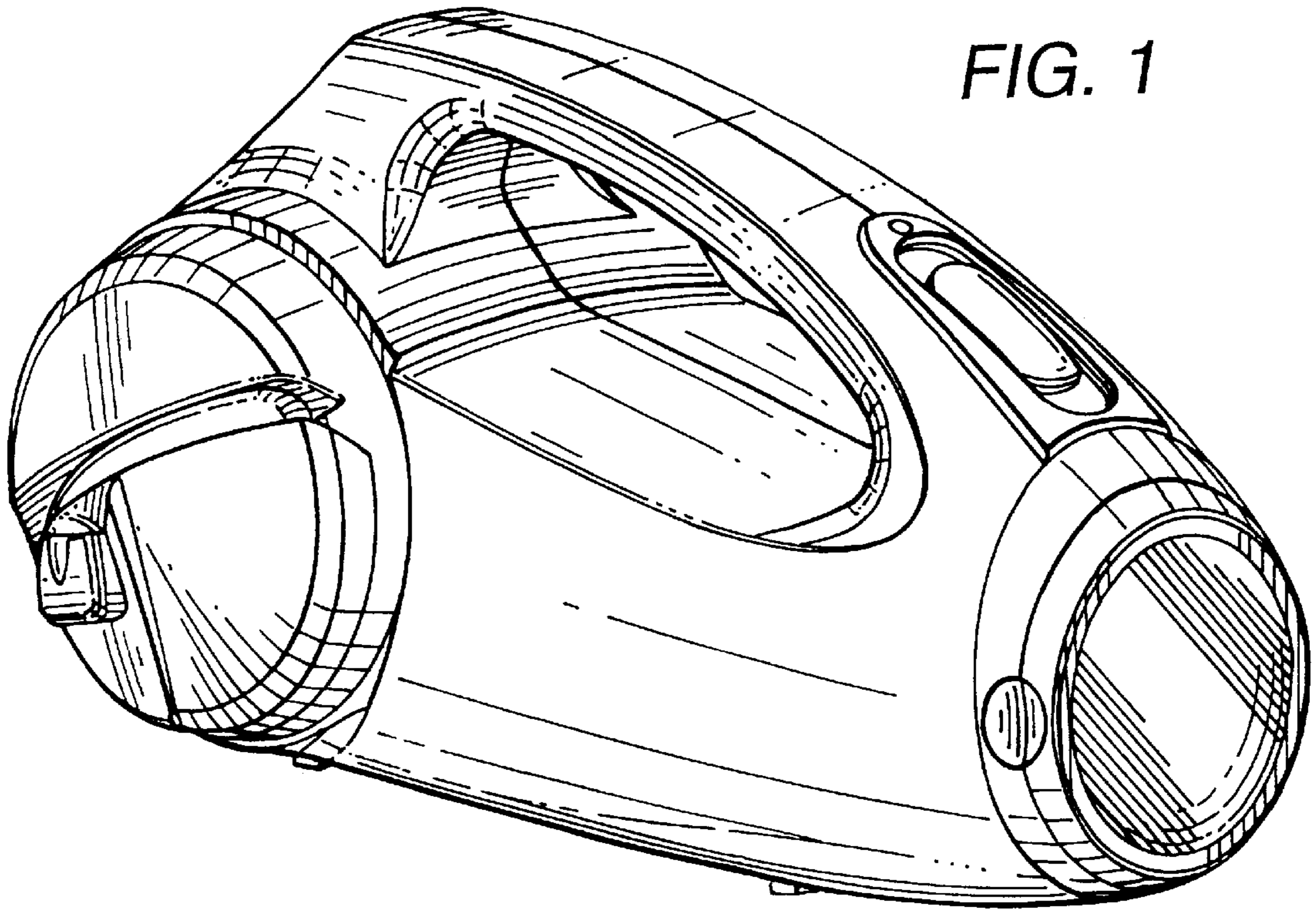


FIG. 1

FIG. 2

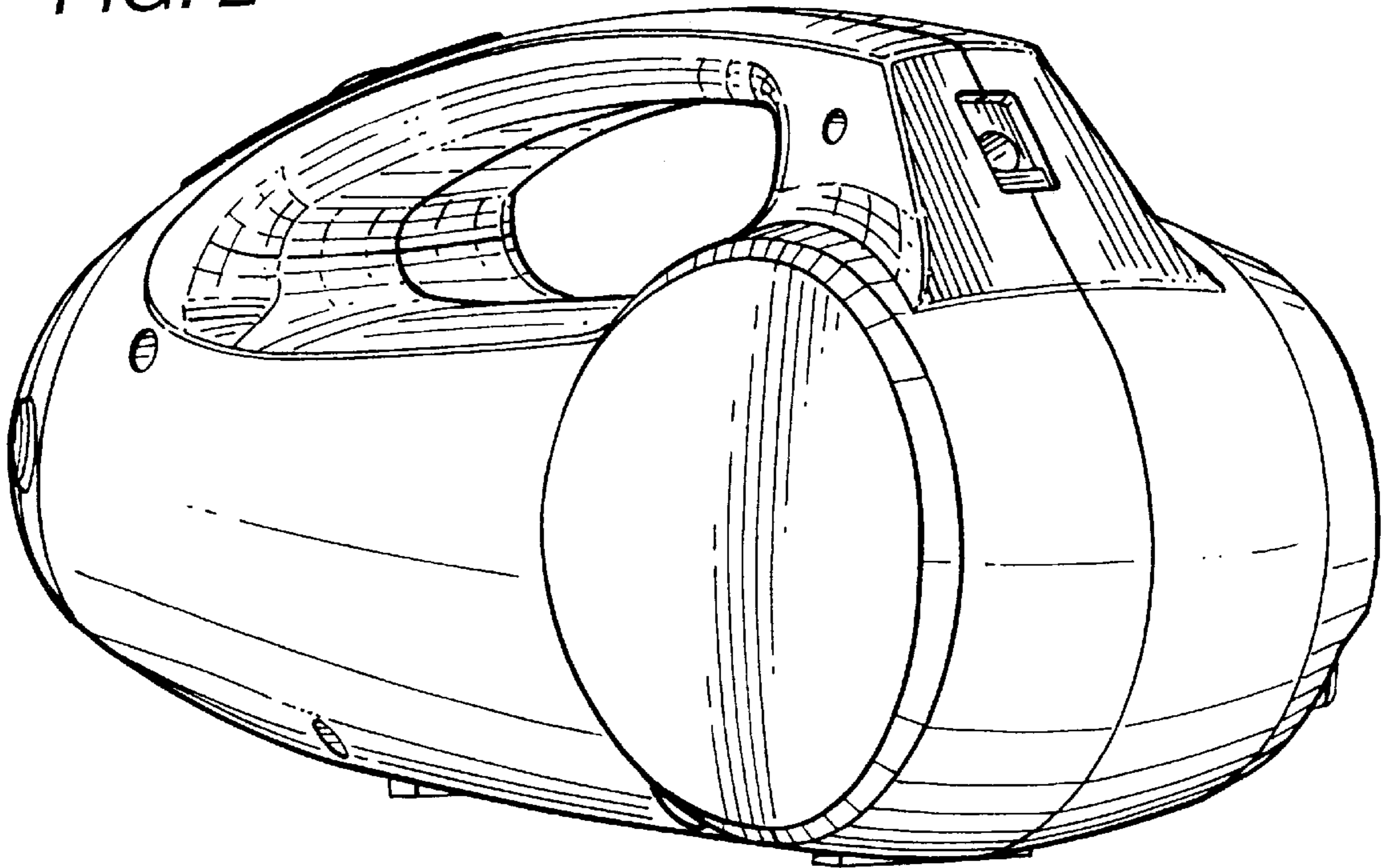


FIG. 3

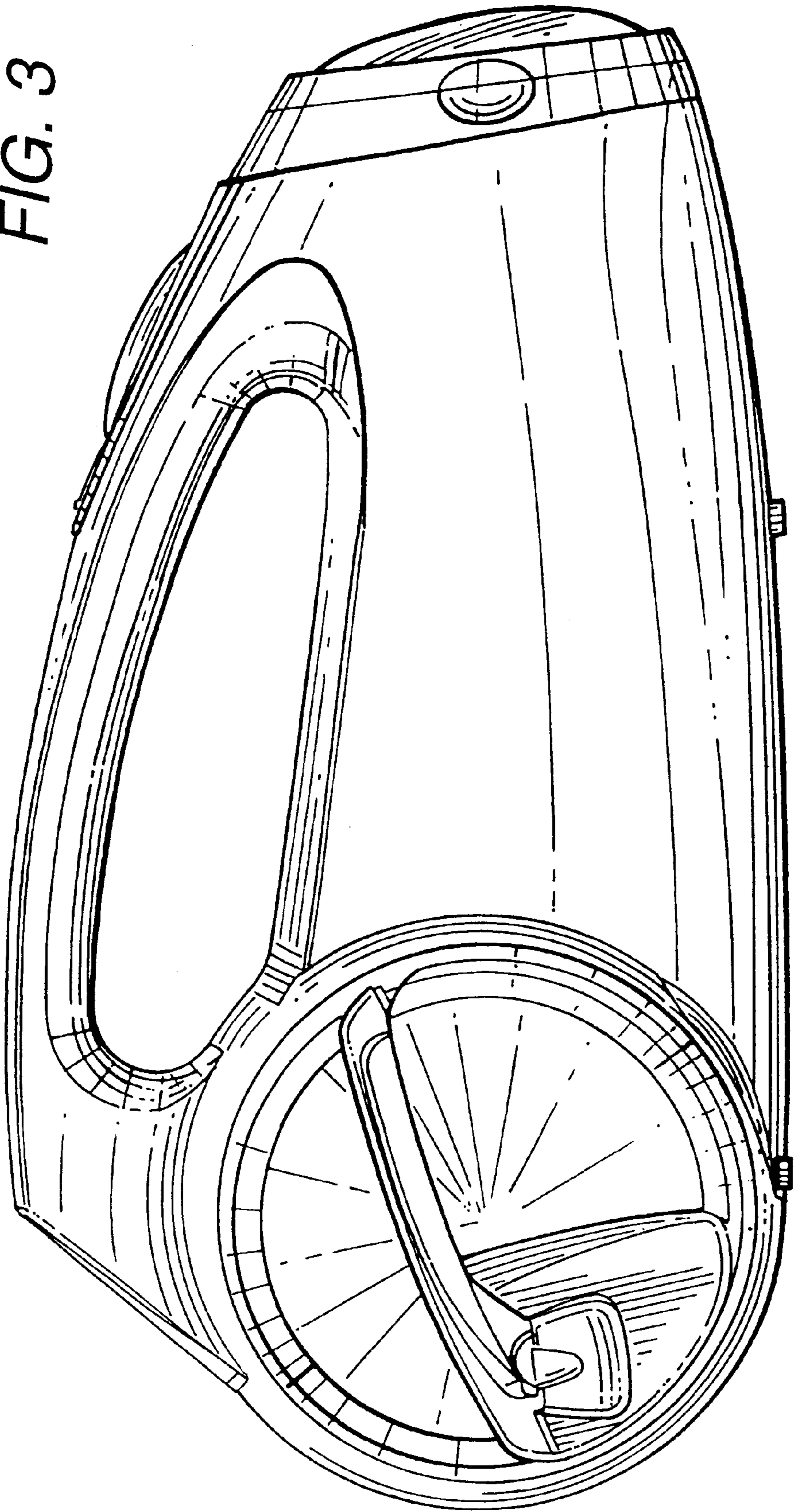


FIG. 4

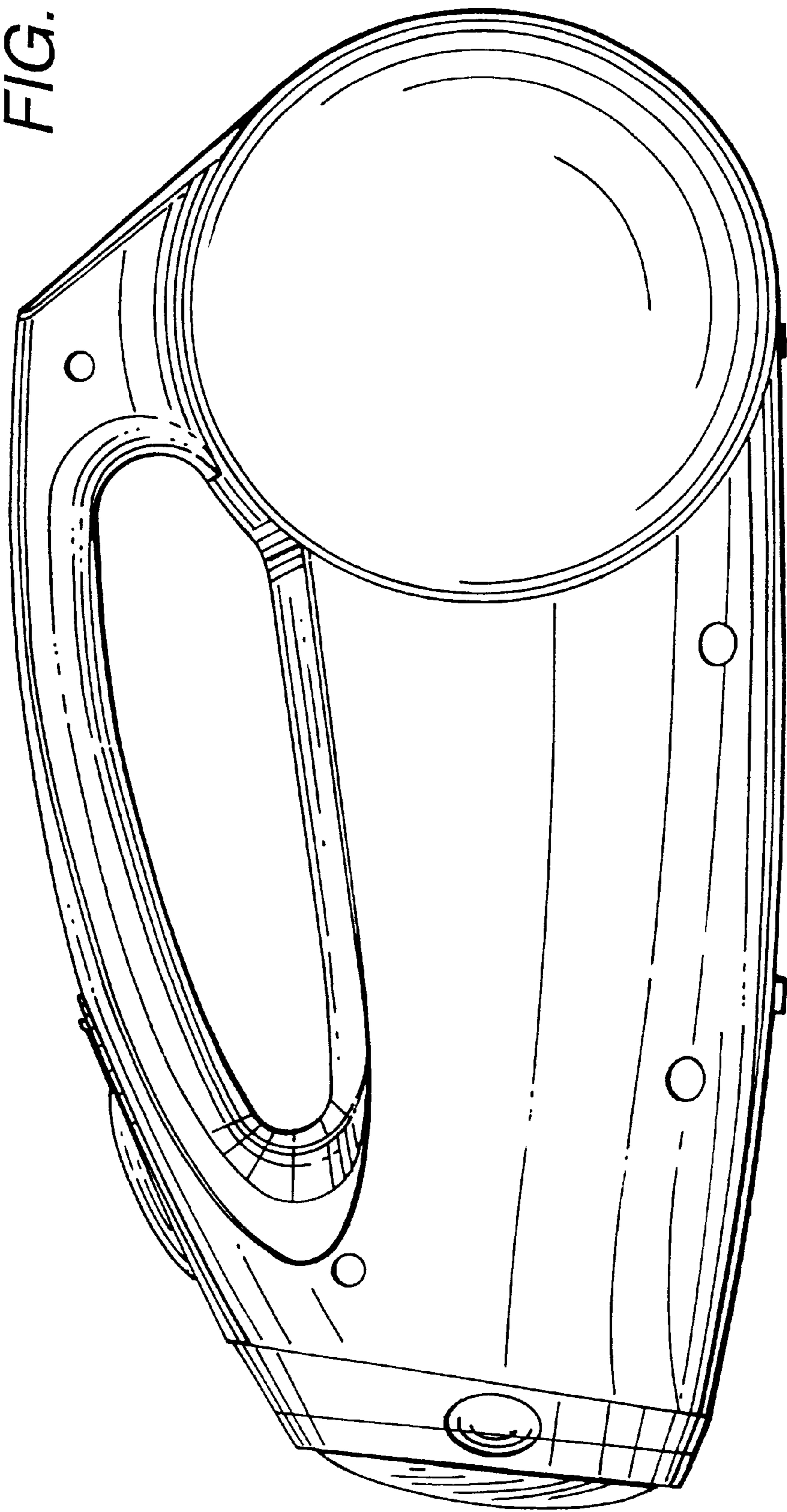


FIG. 5

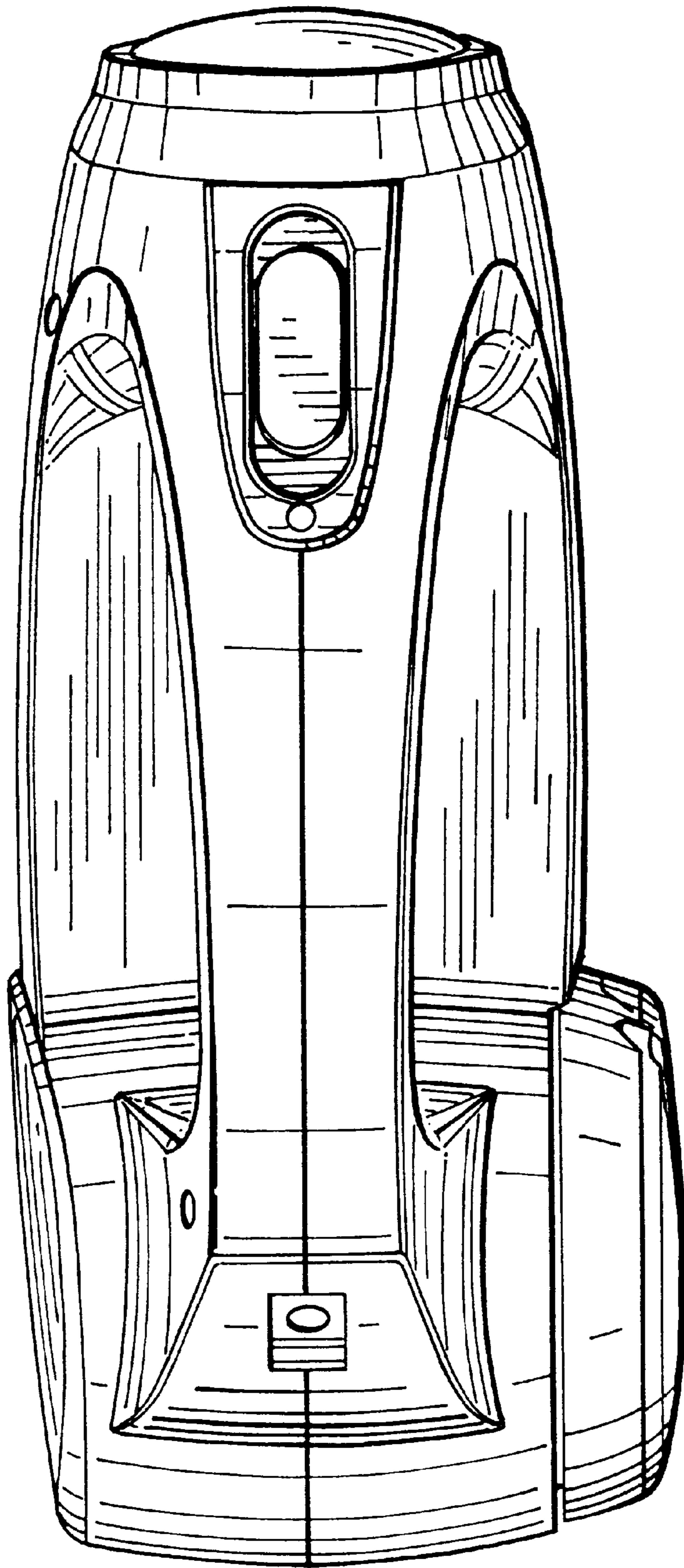
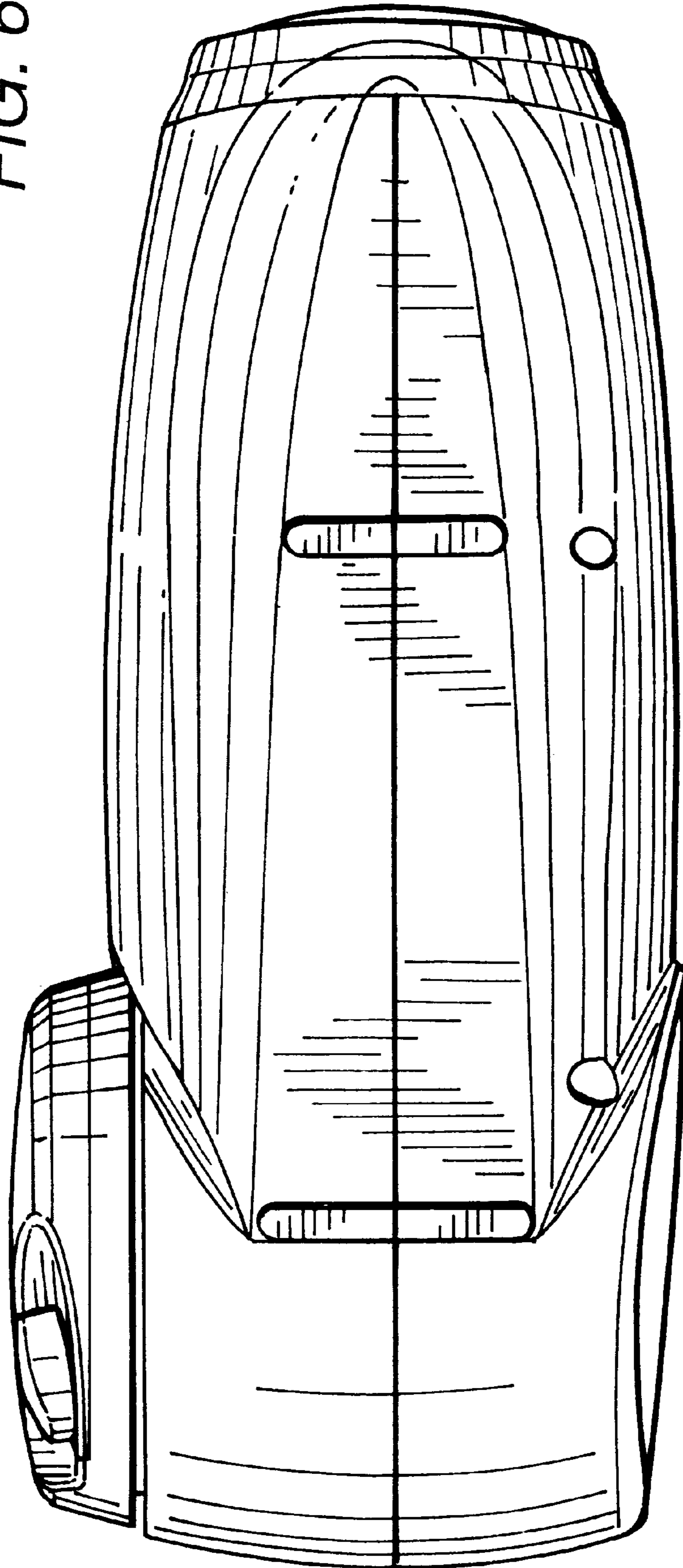


FIG. 6



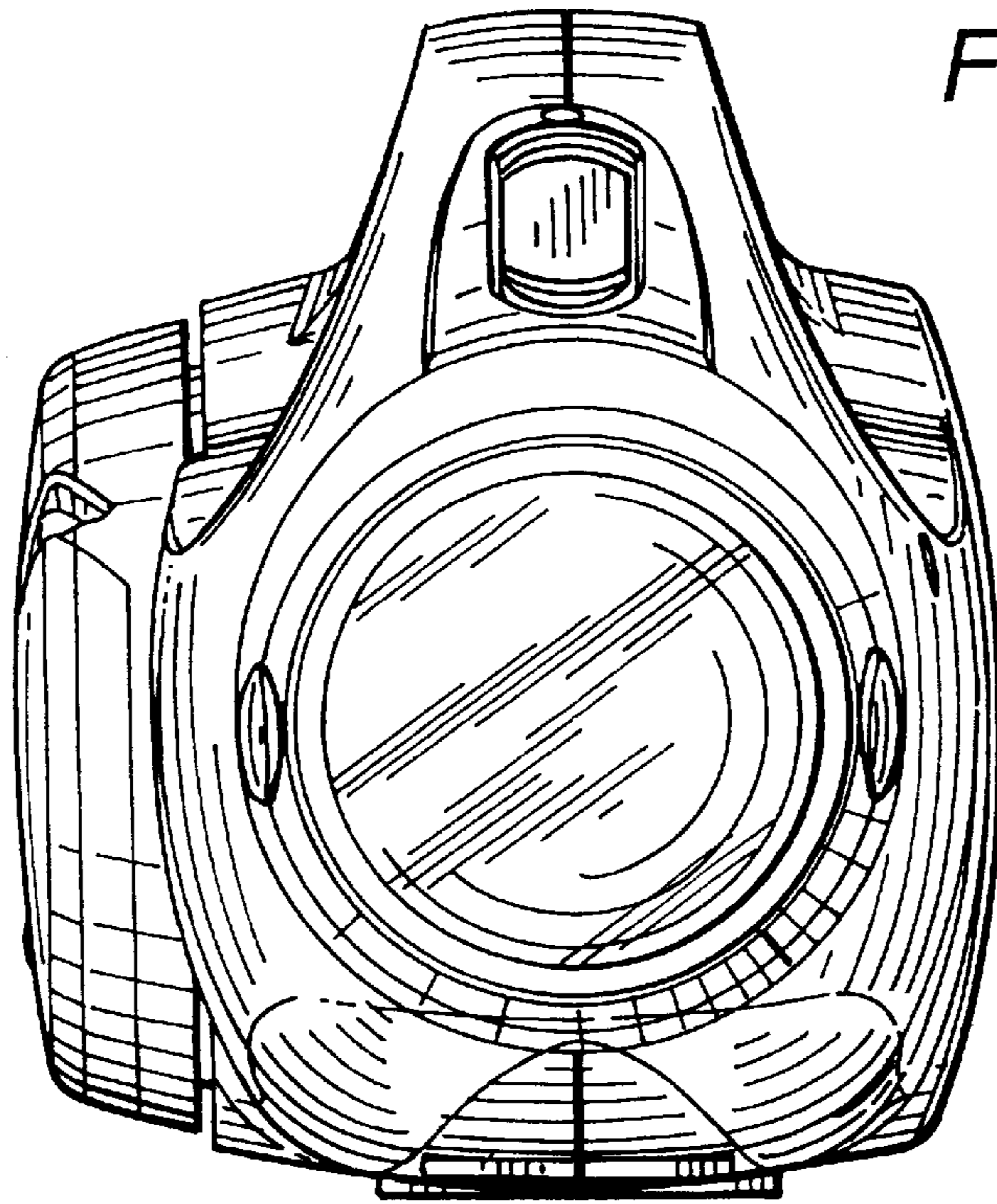


FIG. 7

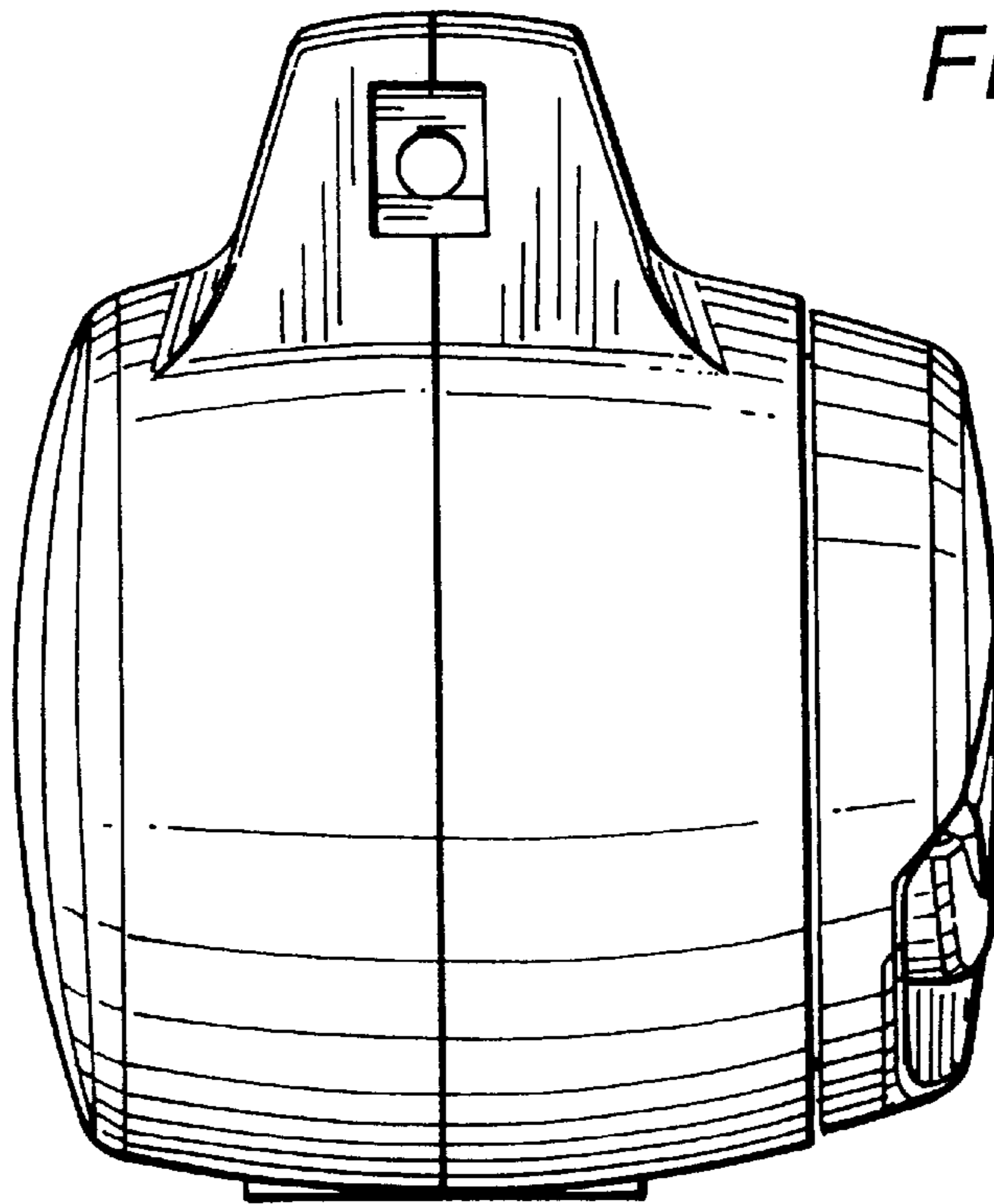


FIG. 8