



US00D436196S

(12) **United States Design Patent**  
**Chan et al.**

(10) **Patent No.:** **US D436,196 S**

(45) **Date of Patent:** **\*\* Jan. 9, 2001**

(54) **WALL MOUNTABLE LIGHT**

(75) Inventors: **Michael Chan**, Ho Man Tin (HK);  
**Frank Hathaway**, Wichita; **Keith Skidmore**, Newton, both of KS (US)

(73) Assignee: **The Coleman Company**, Wichita, KS (US)

(\*\*) Term: **14 Years**

(21) Appl. No.: **29/108,916**

(22) Filed: **Aug. 5, 1999**

(51) **LOC (7) Cl.** ..... **26-02**

(52) **U.S. Cl.** ..... **D26/37**

(58) **Field of Search** ..... D26/37-50; 332/157,  
332/158, 183-208

(56) **References Cited**

**U.S. PATENT DOCUMENTS**

|            |   |        |                    |       |        |
|------------|---|--------|--------------------|-------|--------|
| D. 347,079 | * | 5/1994 | Kung               | ..... | D26/38 |
| D. 404,154 | * | 1/1999 | Breit              | ..... | D26/37 |
| D. 414,284 | * | 9/1999 | Zelina, Jr. et al. | ..... | D26/38 |

\* cited by examiner

*Primary Examiner*—Marcus A. Jackson

(74) *Attorney, Agent, or Firm*—Kramer, Levin, Naftalis and Frankel

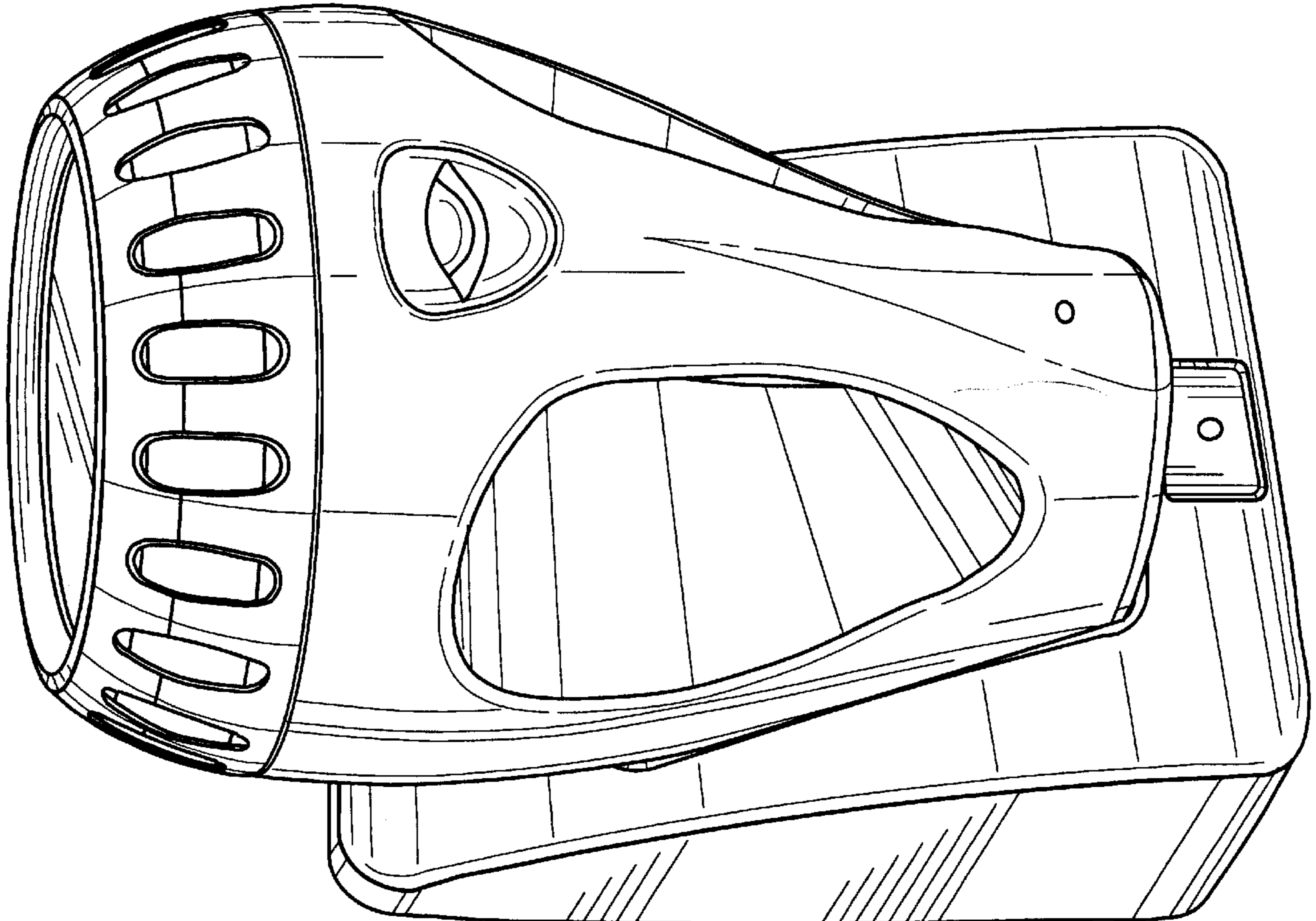
(57) **CLAIM**

The ornamental design for a wall mountable light, as shown and described.

**DESCRIPTION**

FIG. 1 is a side perspective view showing the new design; FIG. 2 is a side elevational view thereof; FIG. 3 is a side elevational view thereof; FIG. 4 is a top plan view thereof; FIG. 5 is a bottom plan view thereof; FIG. 6 is a front elevational view thereof; and FIG. 7 is a back elevational view thereof. FIG. 8 is a second embodiment of FIG. 1 showing a perspective view of the wall mountable light unmounted; FIG. 9 is a side elevational view thereof; FIG. 10 is a side elevational view thereof; FIG. 11 is a top plan view thereof; FIG. 12 is a bottom plan view thereof; FIG. 13 is a front elevational view thereof; and, FIG. 14 is a back elevational view thereof.

**1 Claim, 14 Drawing Sheets**



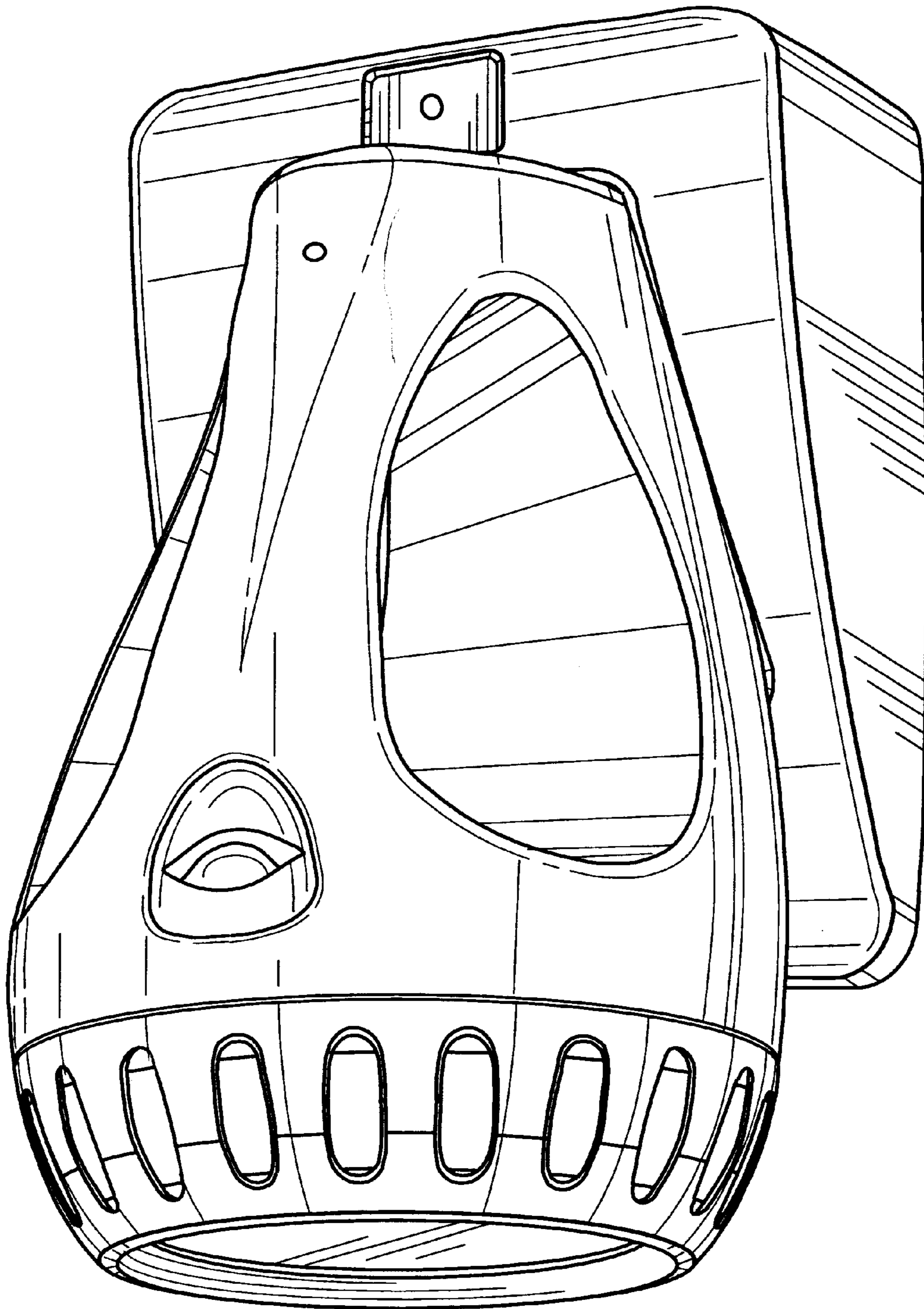


FIG. 1

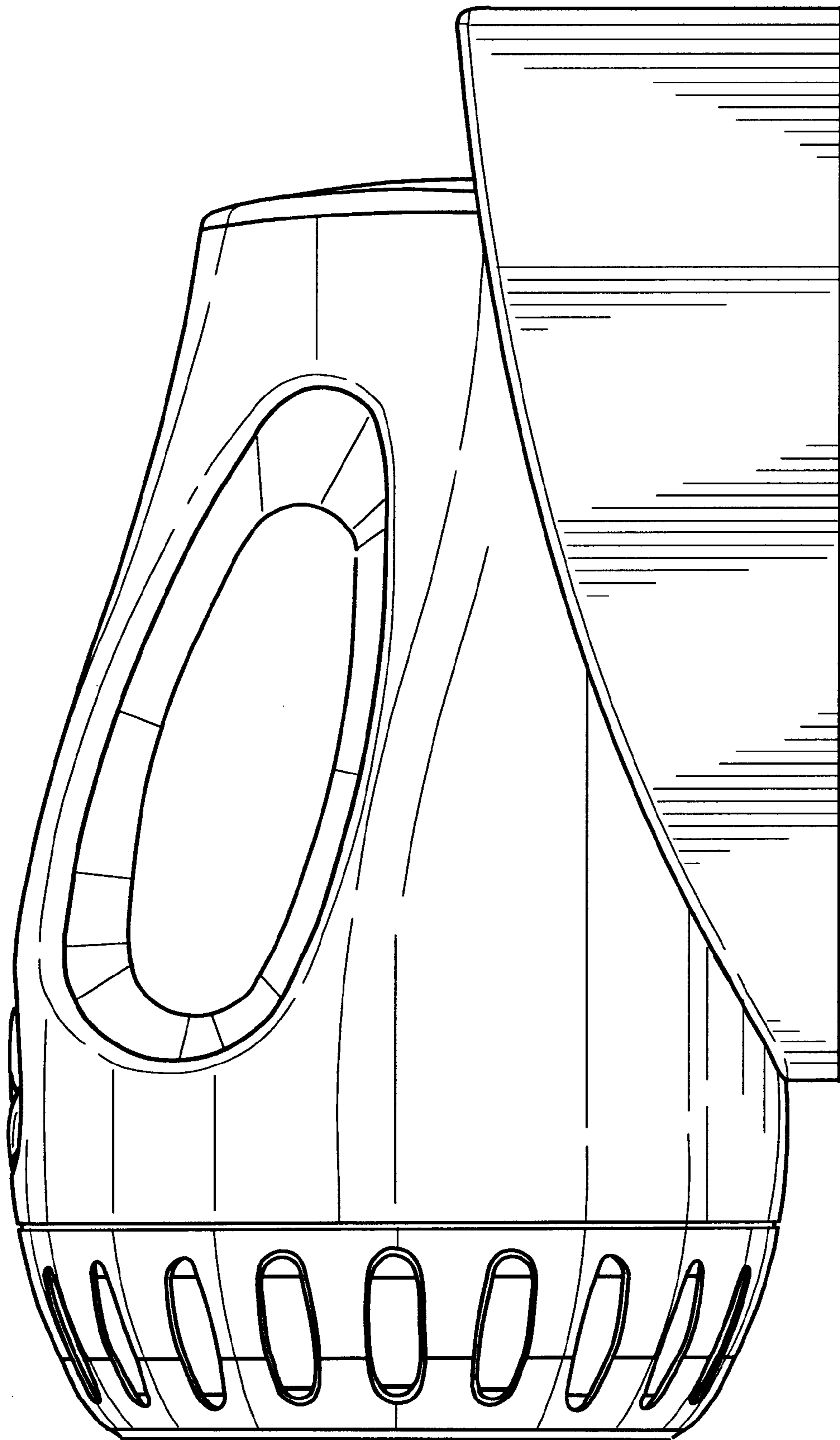


FIG. 2

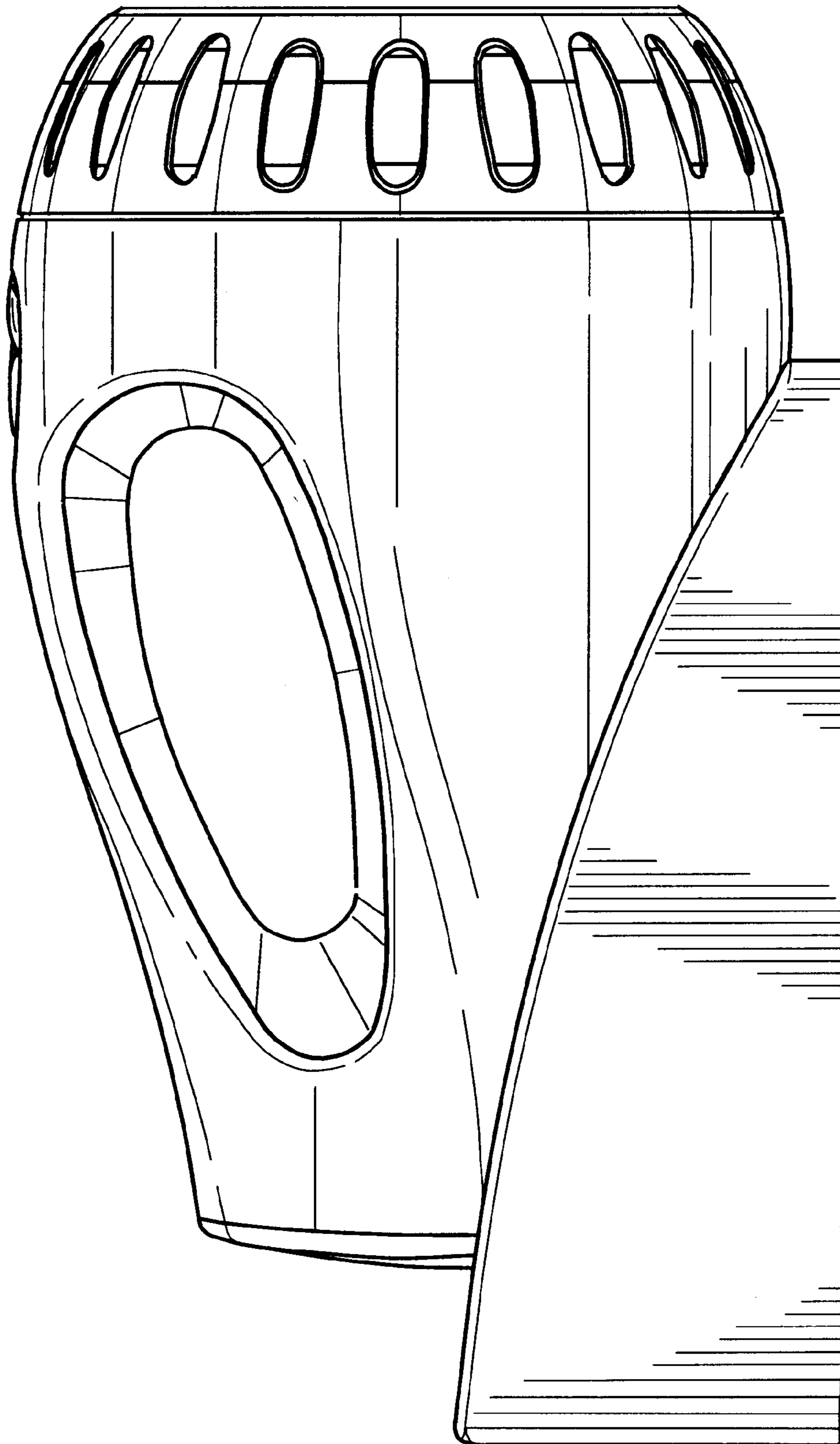


FIG. 3

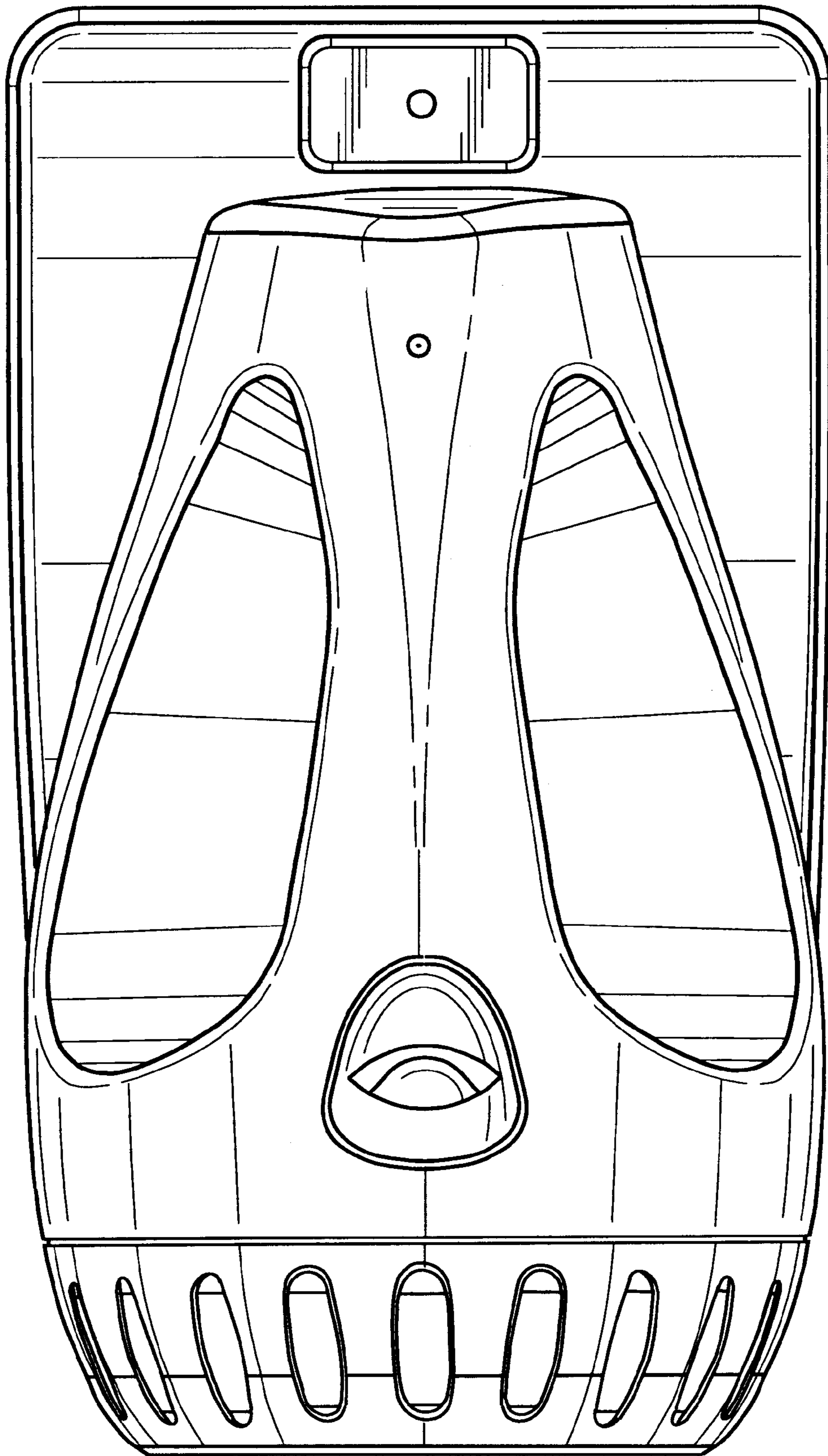


FIG. 4

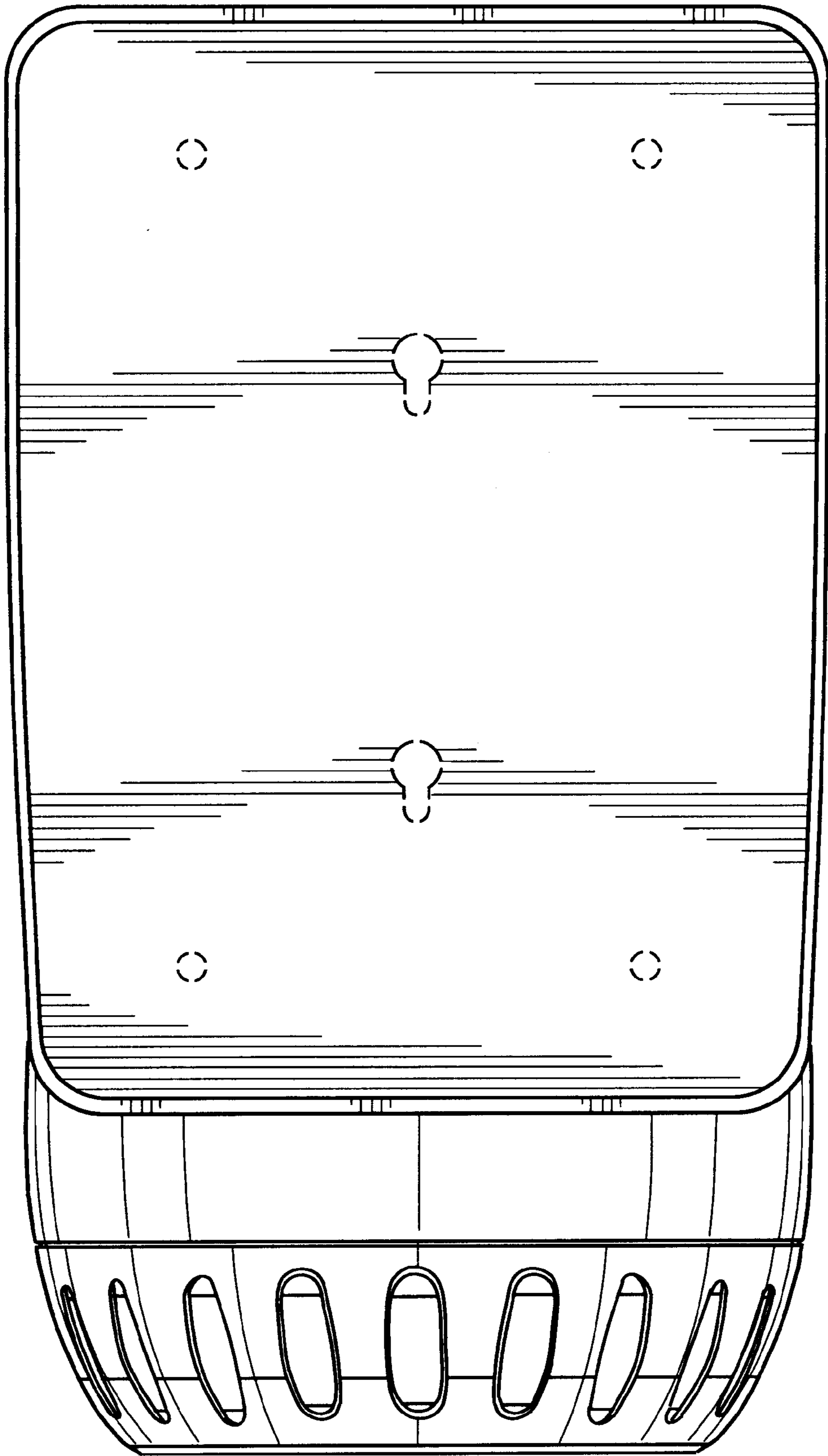


FIG. 5

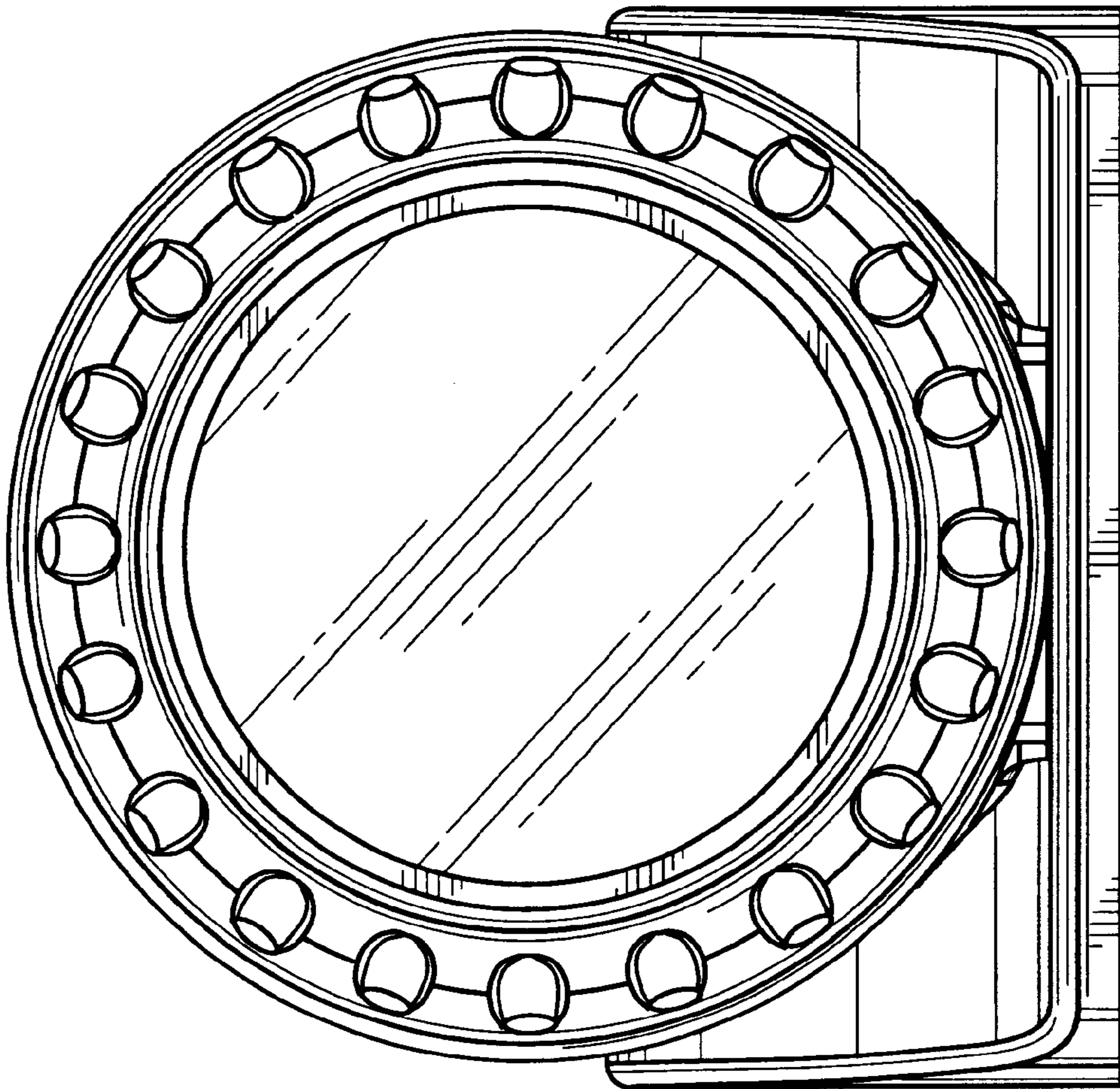


FIG. 6

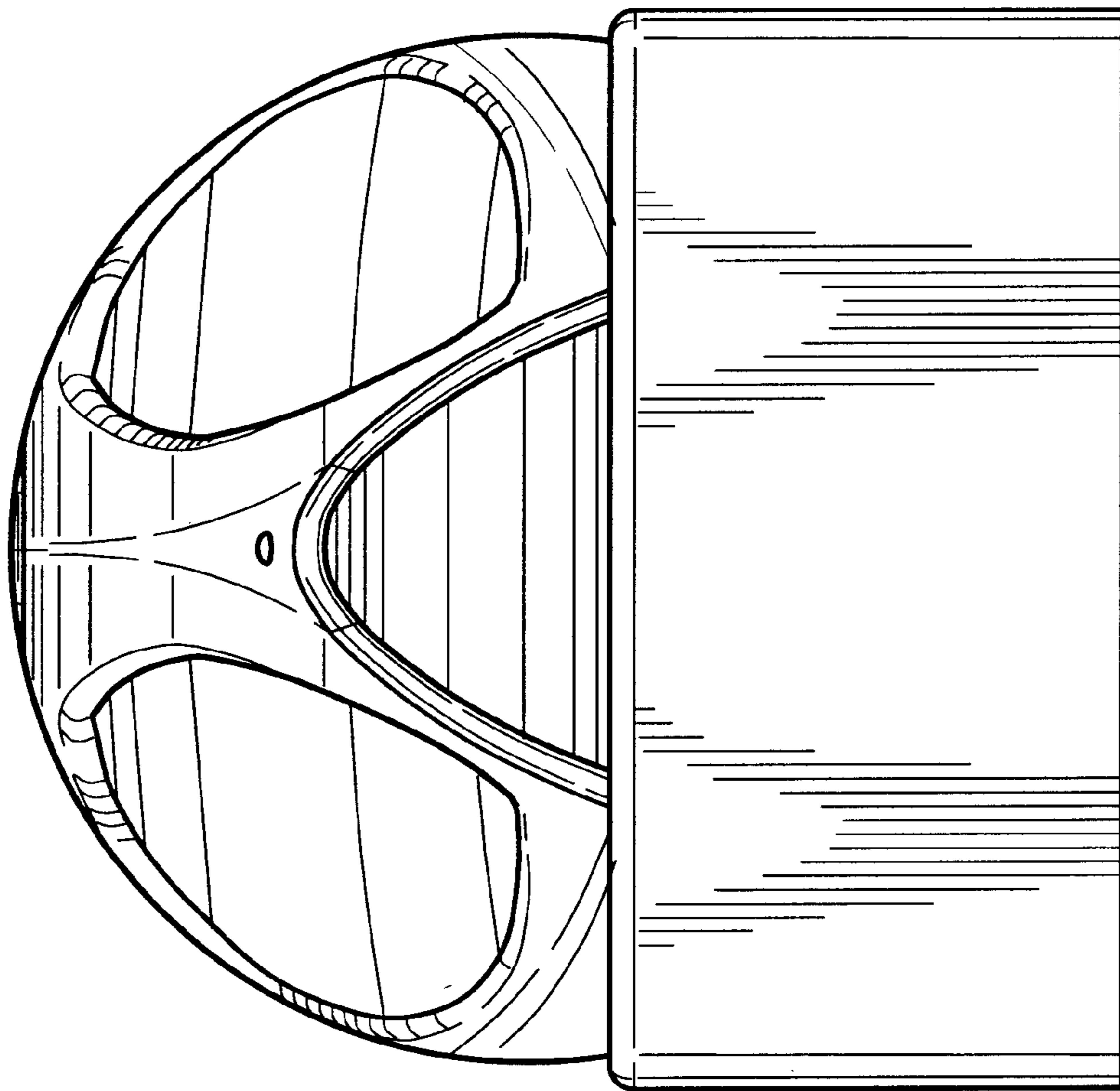


FIG. 7



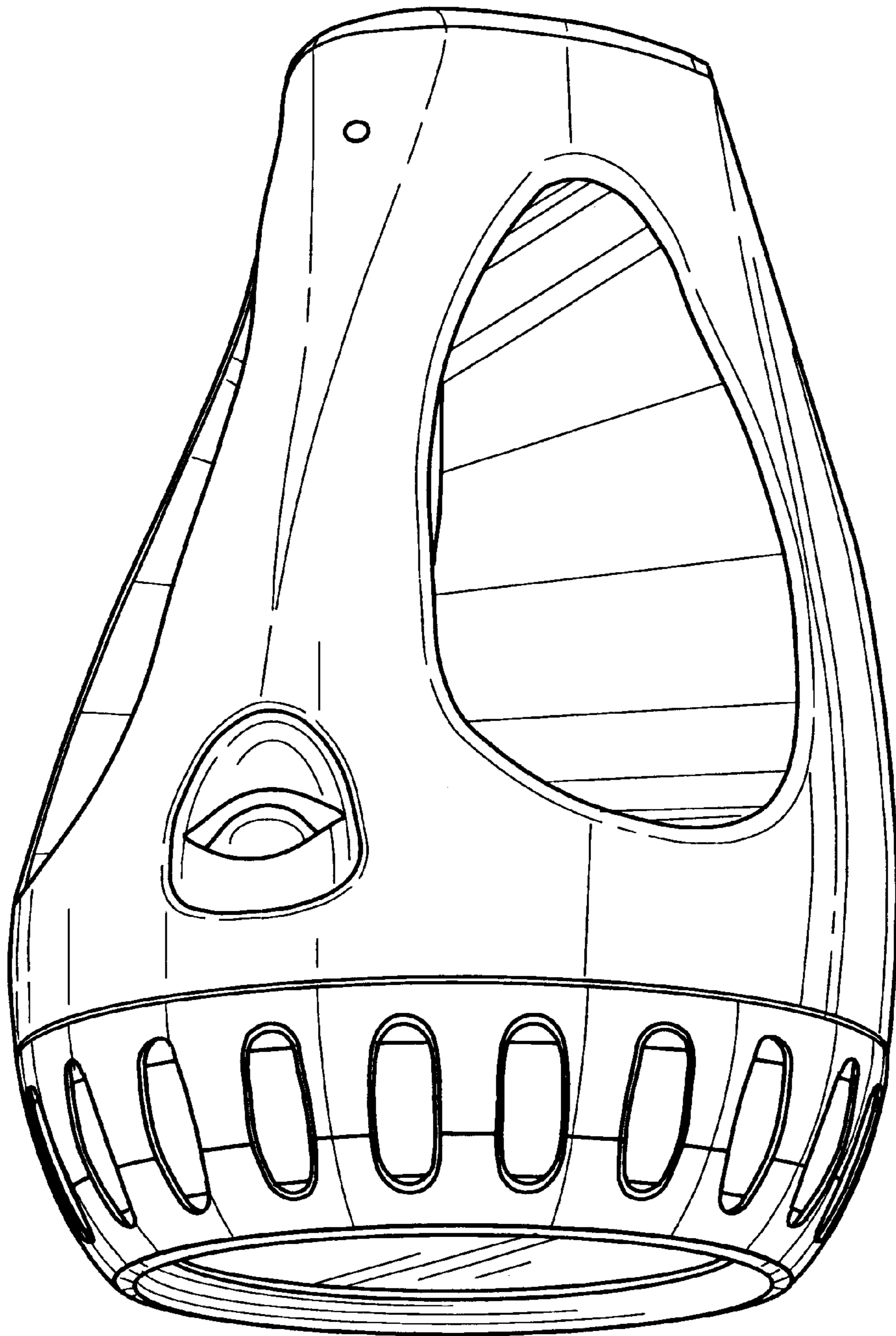


FIG. 8

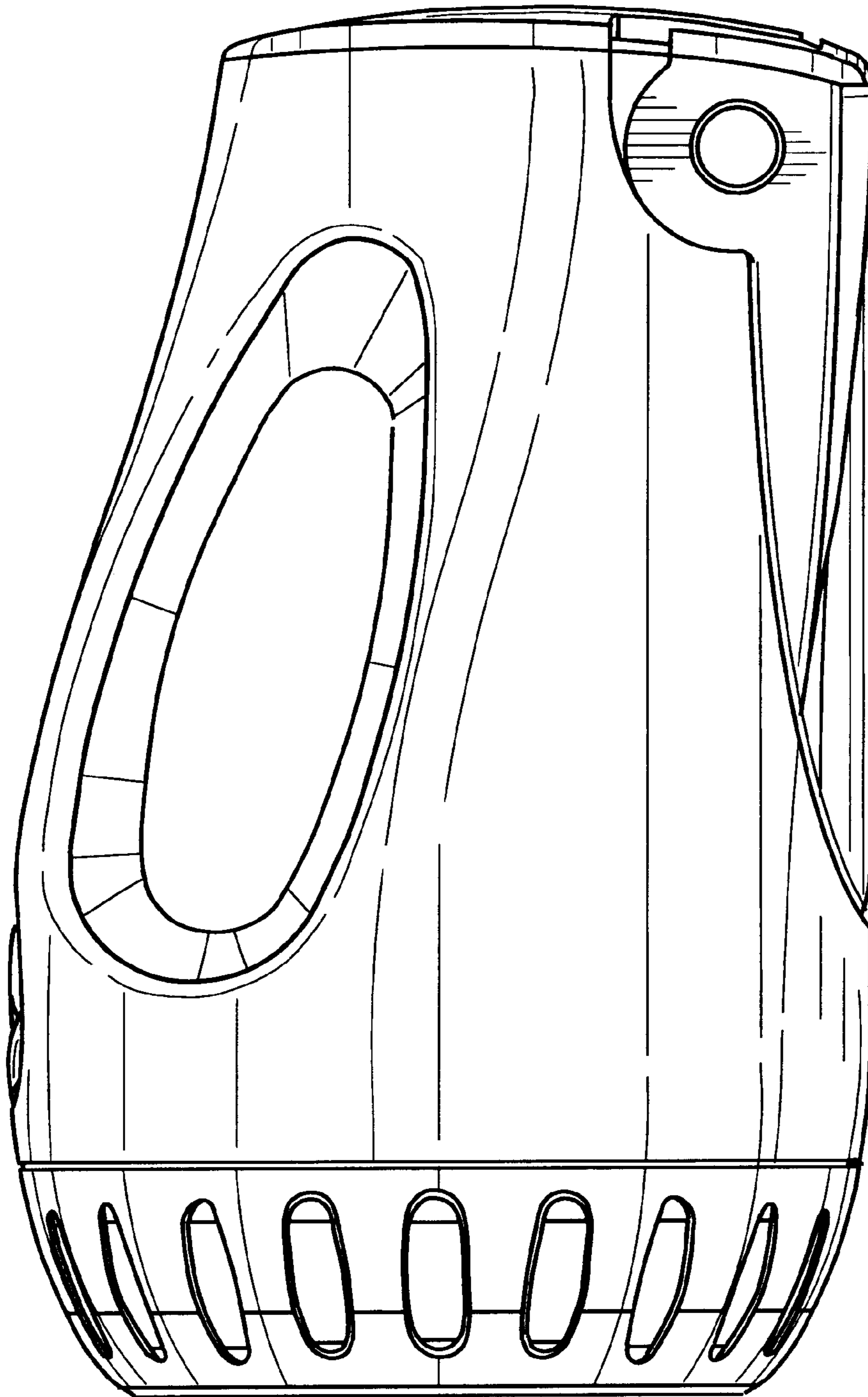


FIG. 9

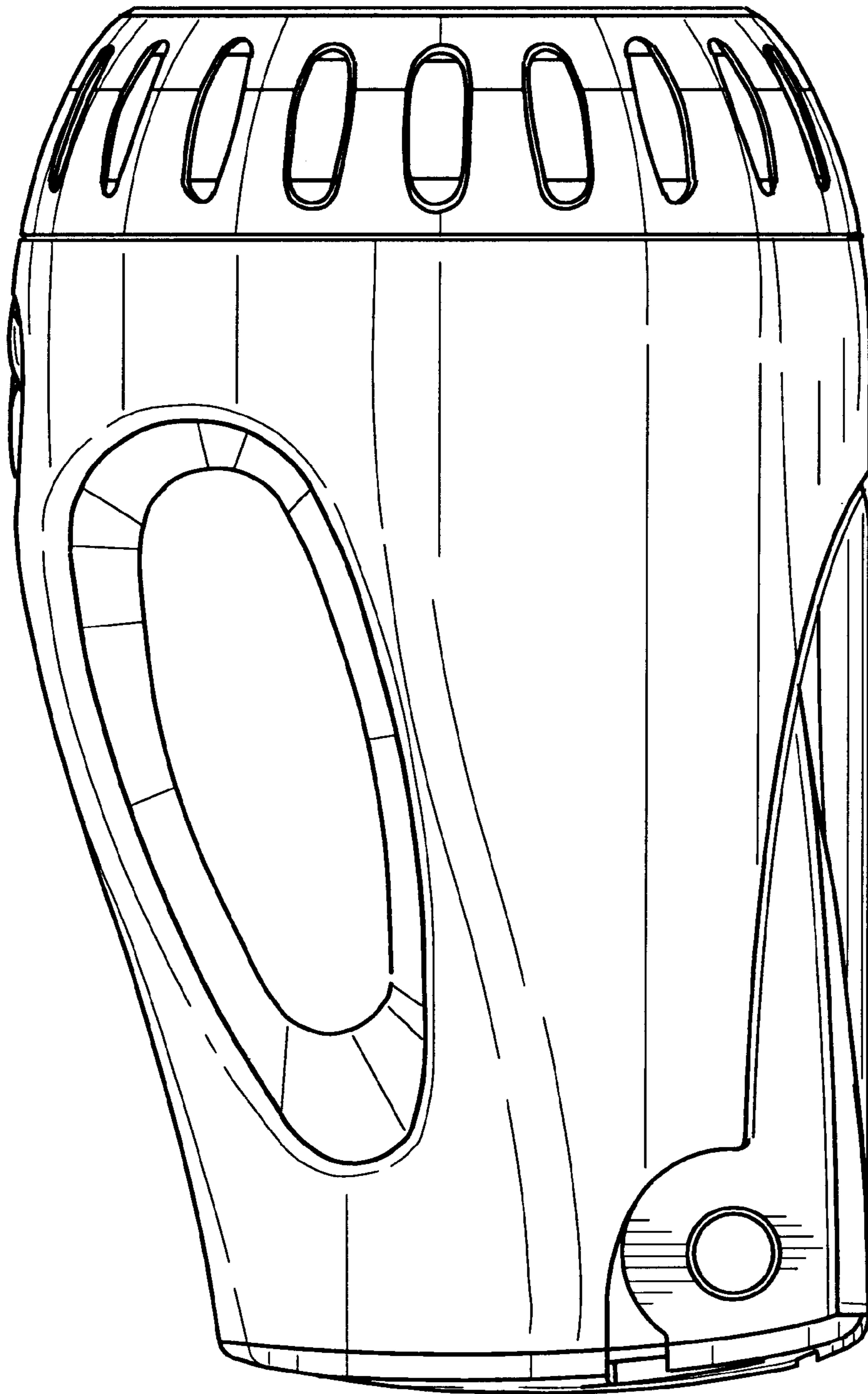


FIG. 10

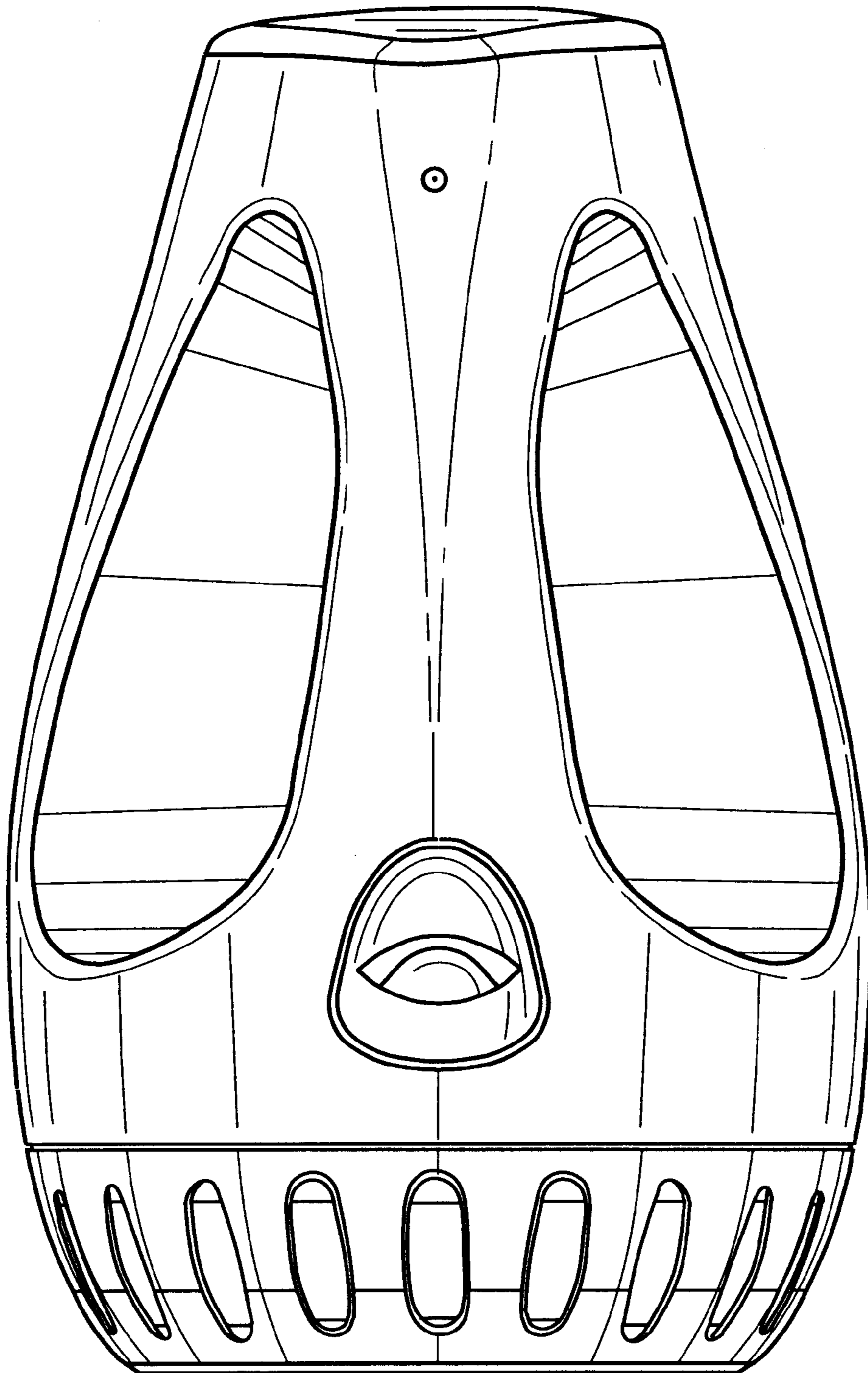


FIG. 11

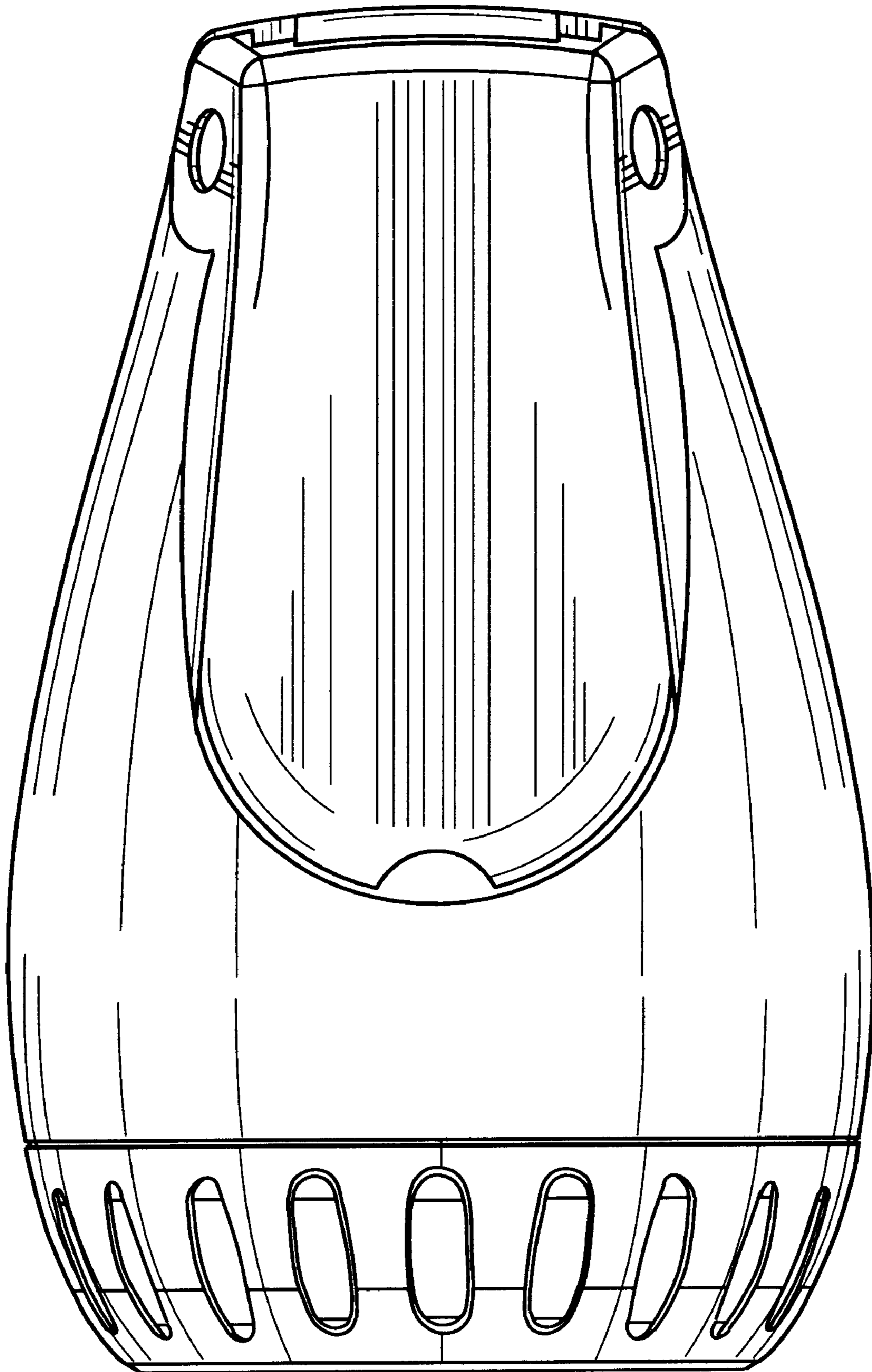


FIG. 12

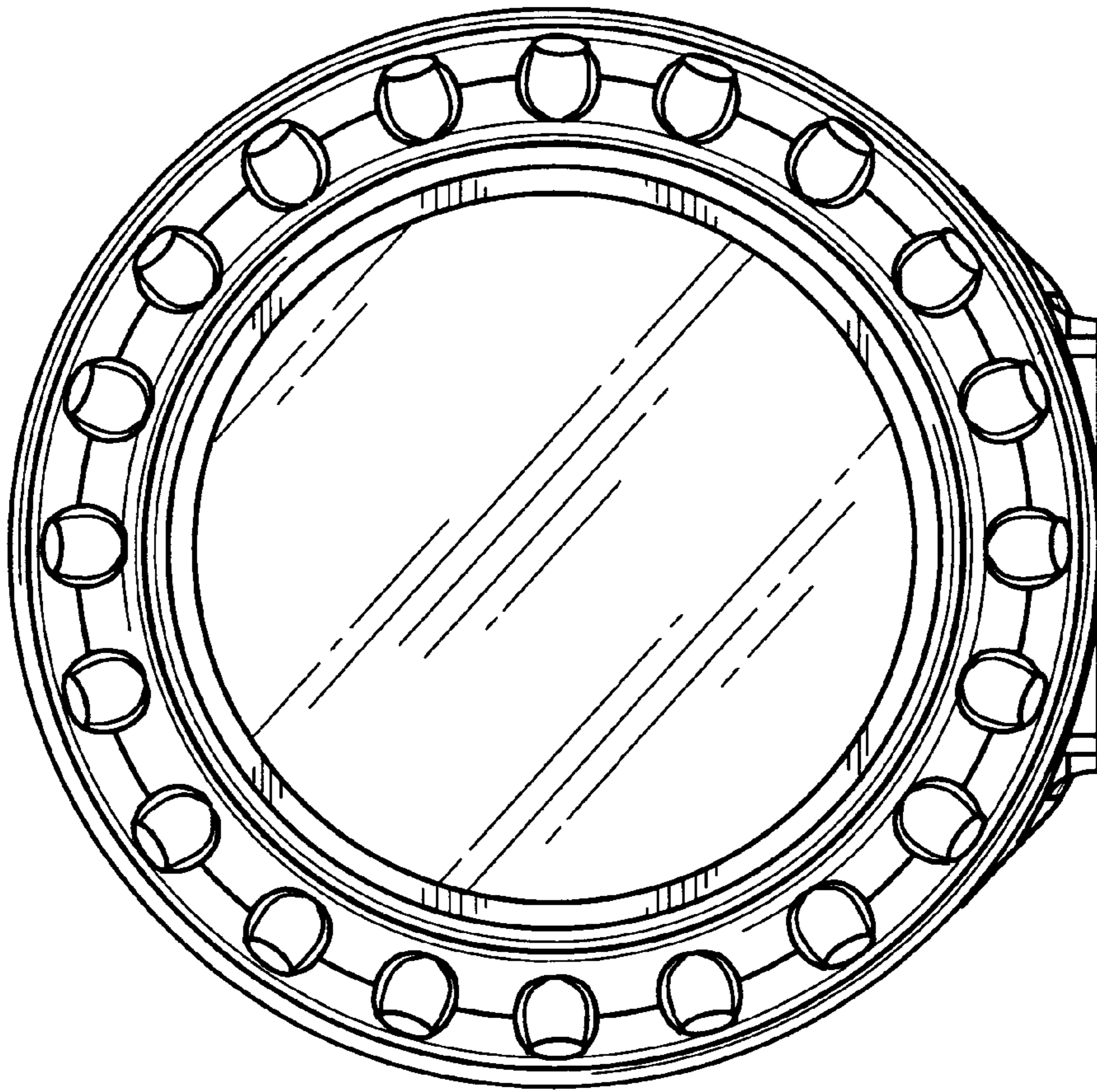


FIG. 13

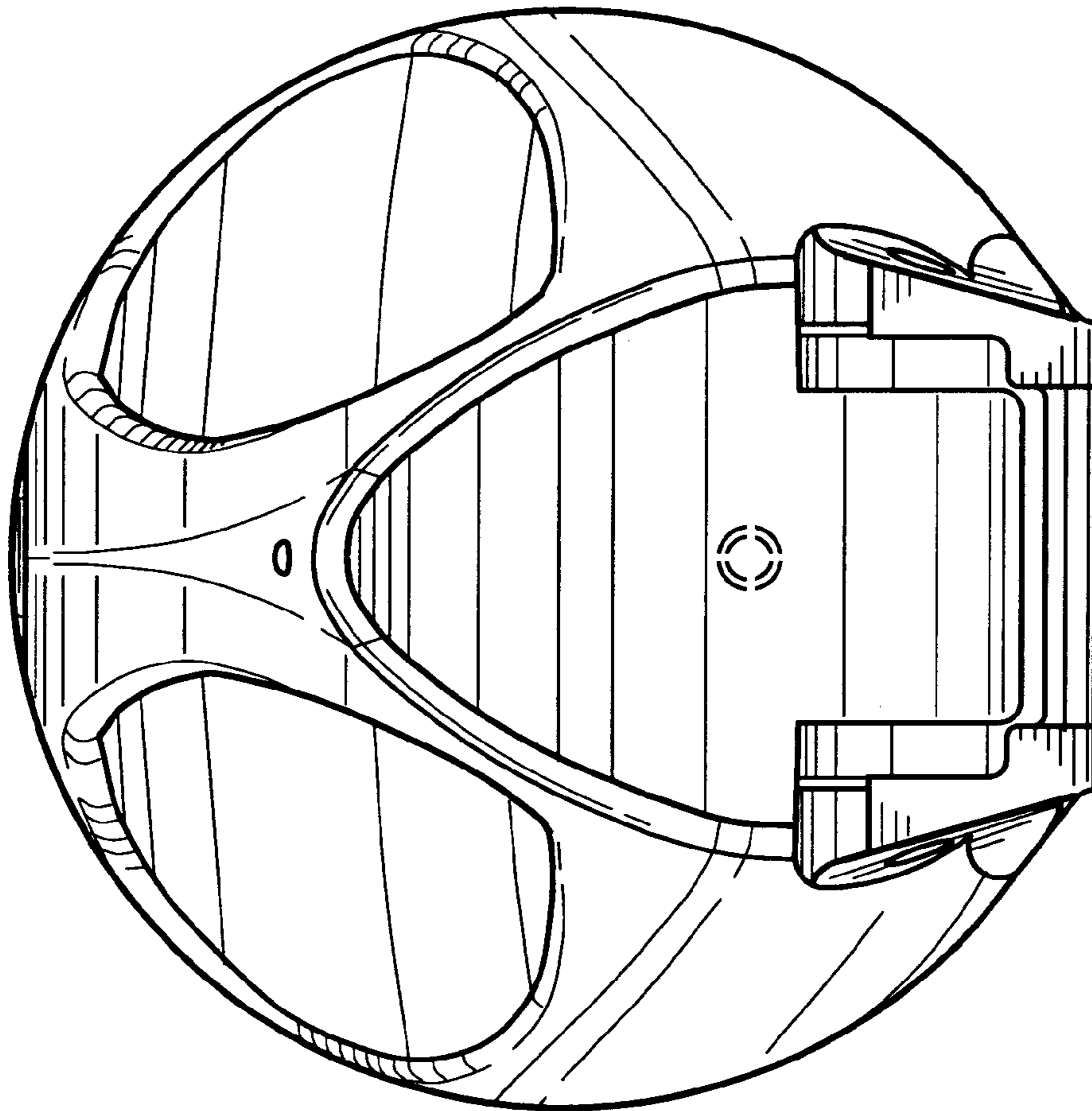


FIG. 14