



US00D436194S

(12) **United States Design Patent**  
**Reinbach**

(10) **Patent No.:** **US D436,194 S**

(45) **Date of Patent:** **\*\* Jan. 9, 2001**

(54) **VEHICLE LIGHT ASSEMBLY**

D. 410,758 6/1999 Reinbach .

D. 417,298 \* 11/1999 Paffrath et al. .... D26/28

(75) Inventor: **Martin Carl Friedrich Reinbach,**  
Auckland (NZ)

\* cited by examiner

(73) Assignee: **Hella Asia Pacific Pty Ltd,** Mentone  
(AU)

*Primary Examiner*—Marcus A. Jackson

(74) *Attorney, Agent, or Firm*—Lawrence E. Apolzon, Esq.;  
Fross Zelnick Lehrman & Zissu, P.C.

(\*\*) Term: **14 Years**

(21) Appl. No.: **29/113,692**

(22) Filed: **Nov. 8, 1999**

(30) **Foreign Application Priority Data**

May 10, 1999 (AU) ..... 1448/99

(51) **LOC (7) Cl.** ..... **26-06**

(52) **U.S. Cl.** ..... **D26/28**

(58) **Field of Search** ..... D26/28-36, 72,  
D26/74, 80-92; 362/61, 74, 80, 268, 269,  
275, 329, 330, 331, 336, 364, 372, 432

(56) **References Cited**

**U.S. PATENT DOCUMENTS**

D. 388,523 \* 12/1997 Austin ..... D26/28

(57) **CLAIM**

The ornamental design for a vehicle light assembly, as shown and described.

**DESCRIPTION**

FIG. 1 is a perspective view,

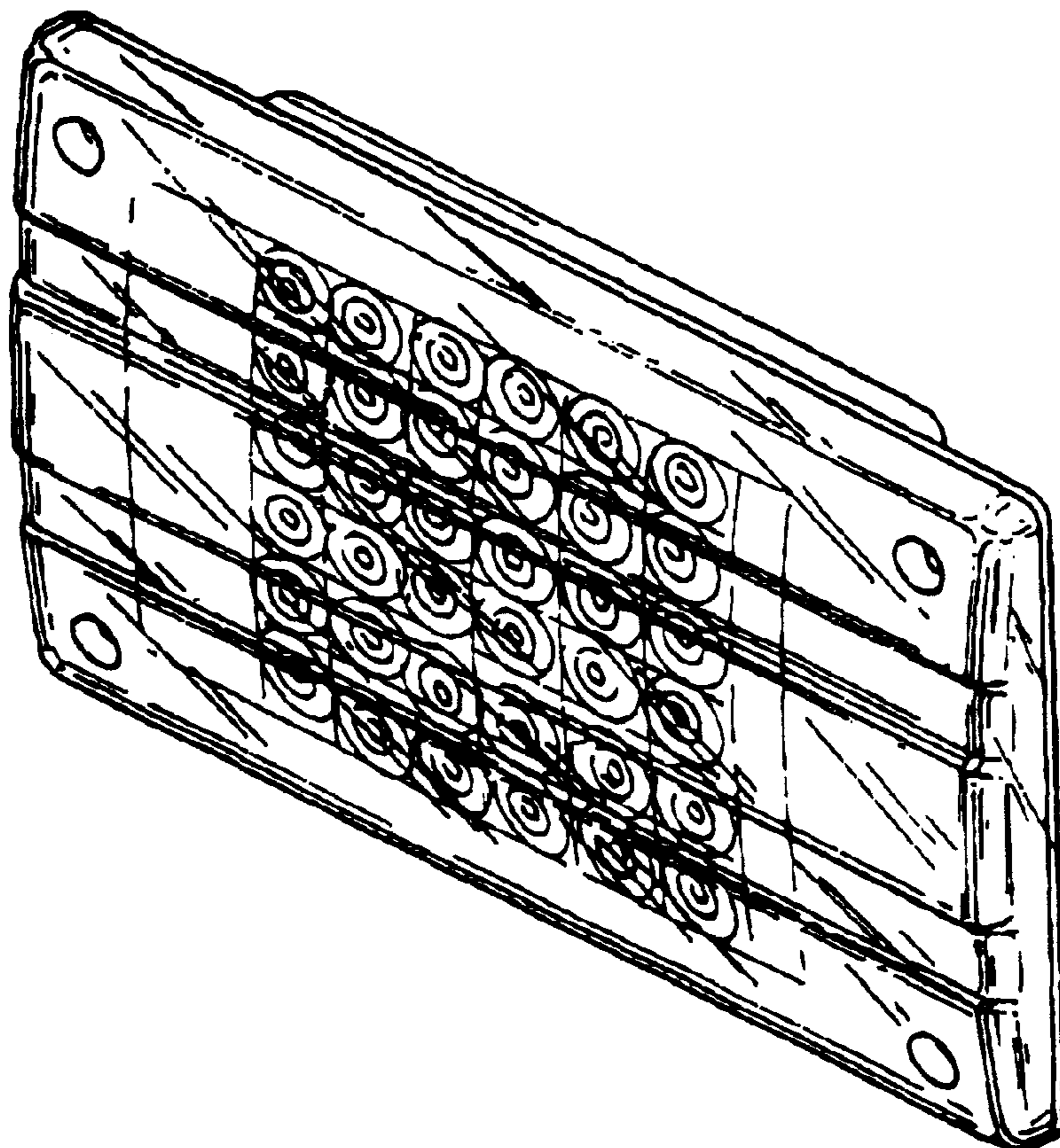
FIG. 2 is a front view,

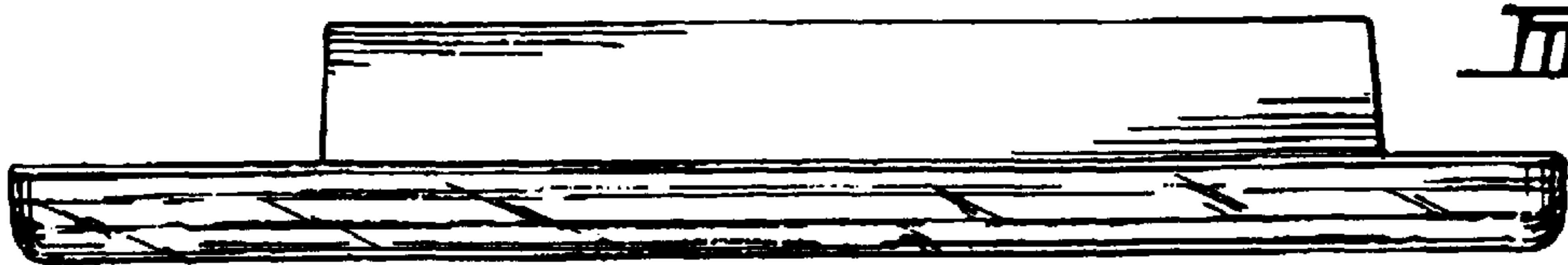
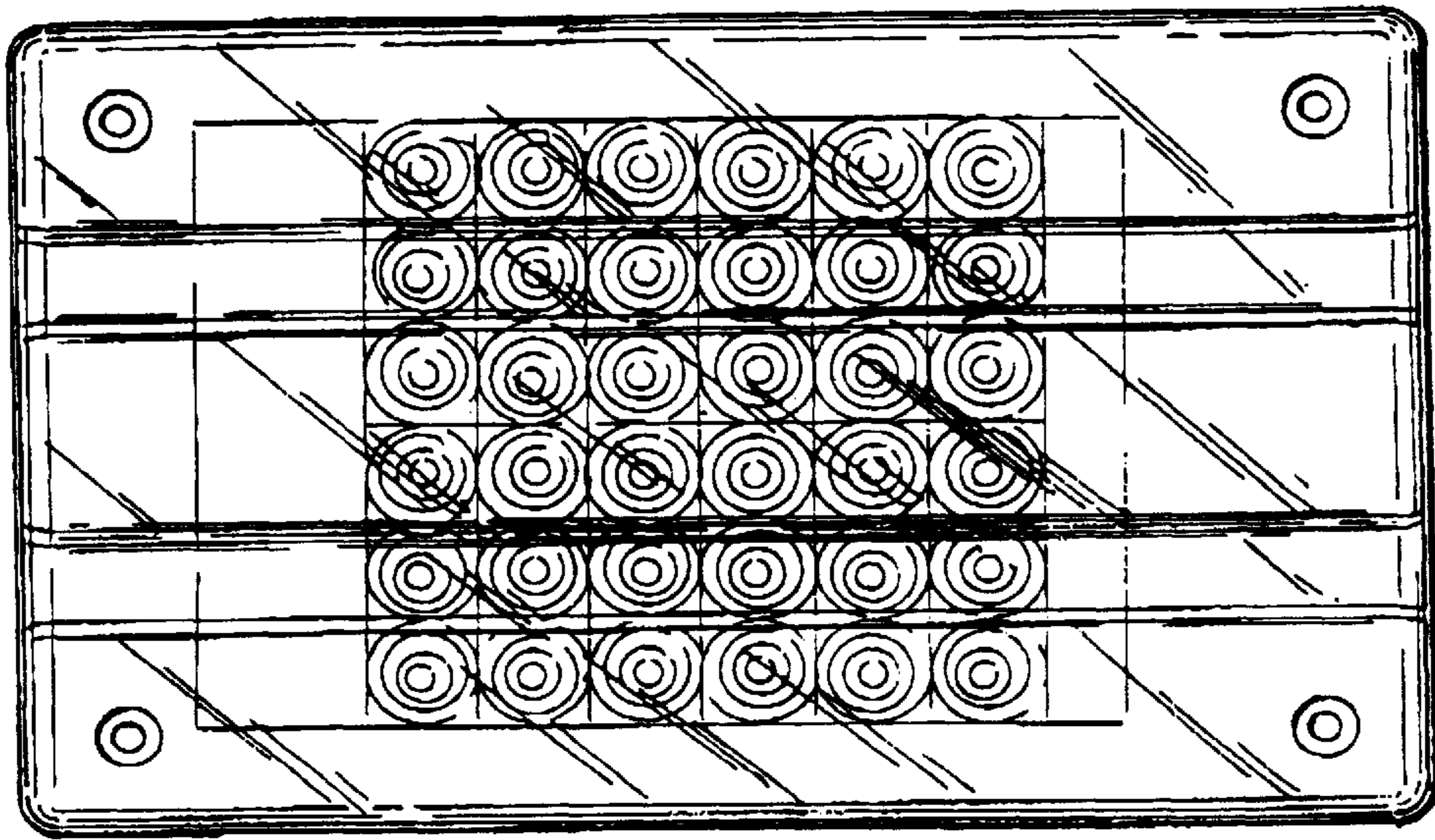
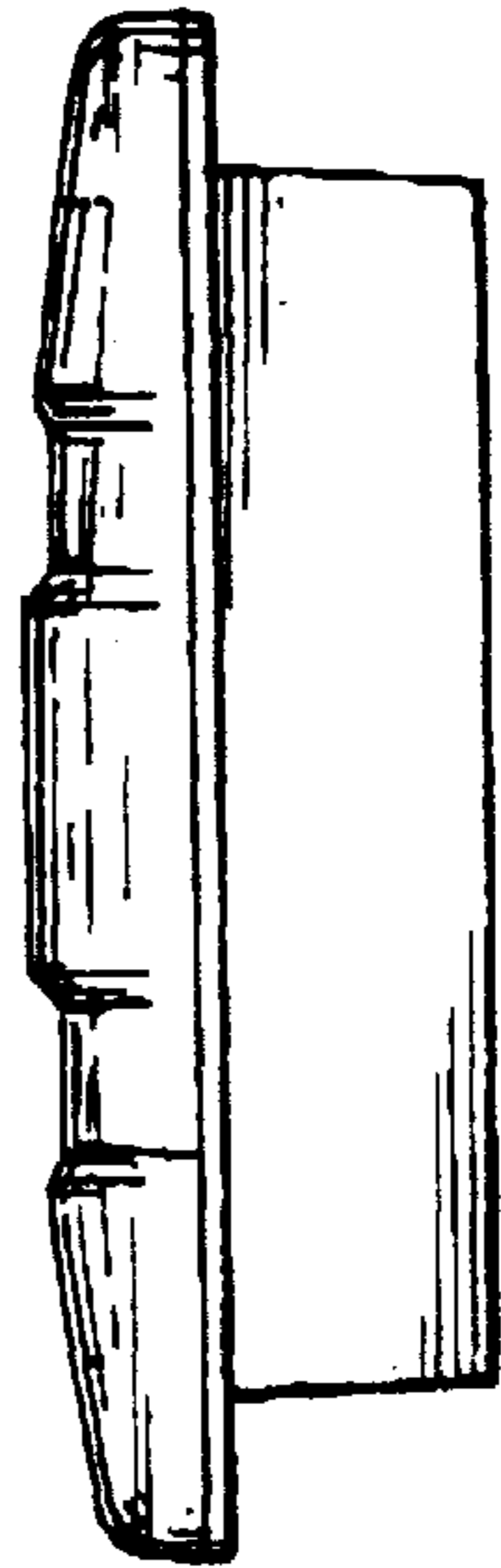
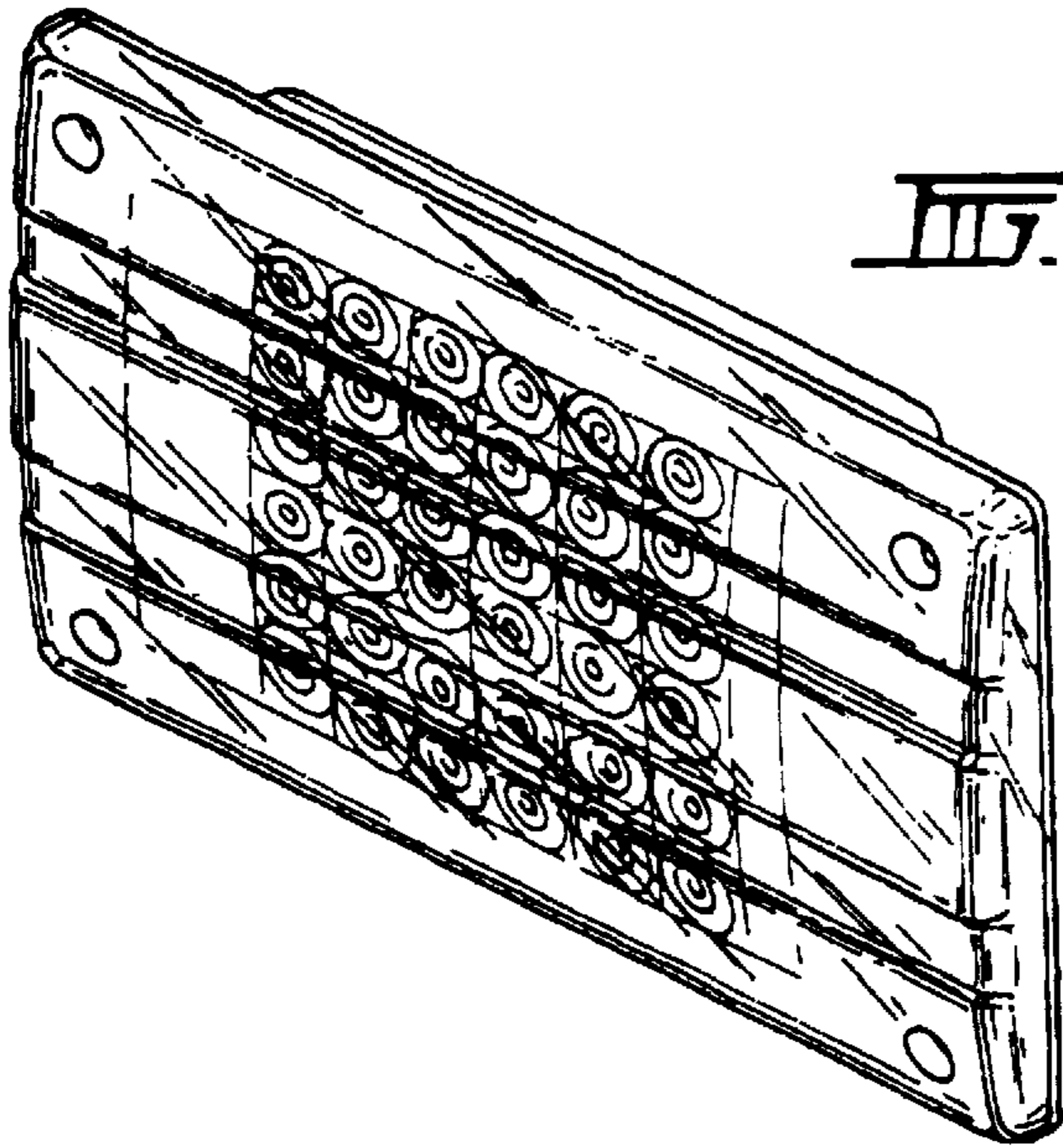
FIG. 3 is an end view, with the opposite end being a mirror image thereof;

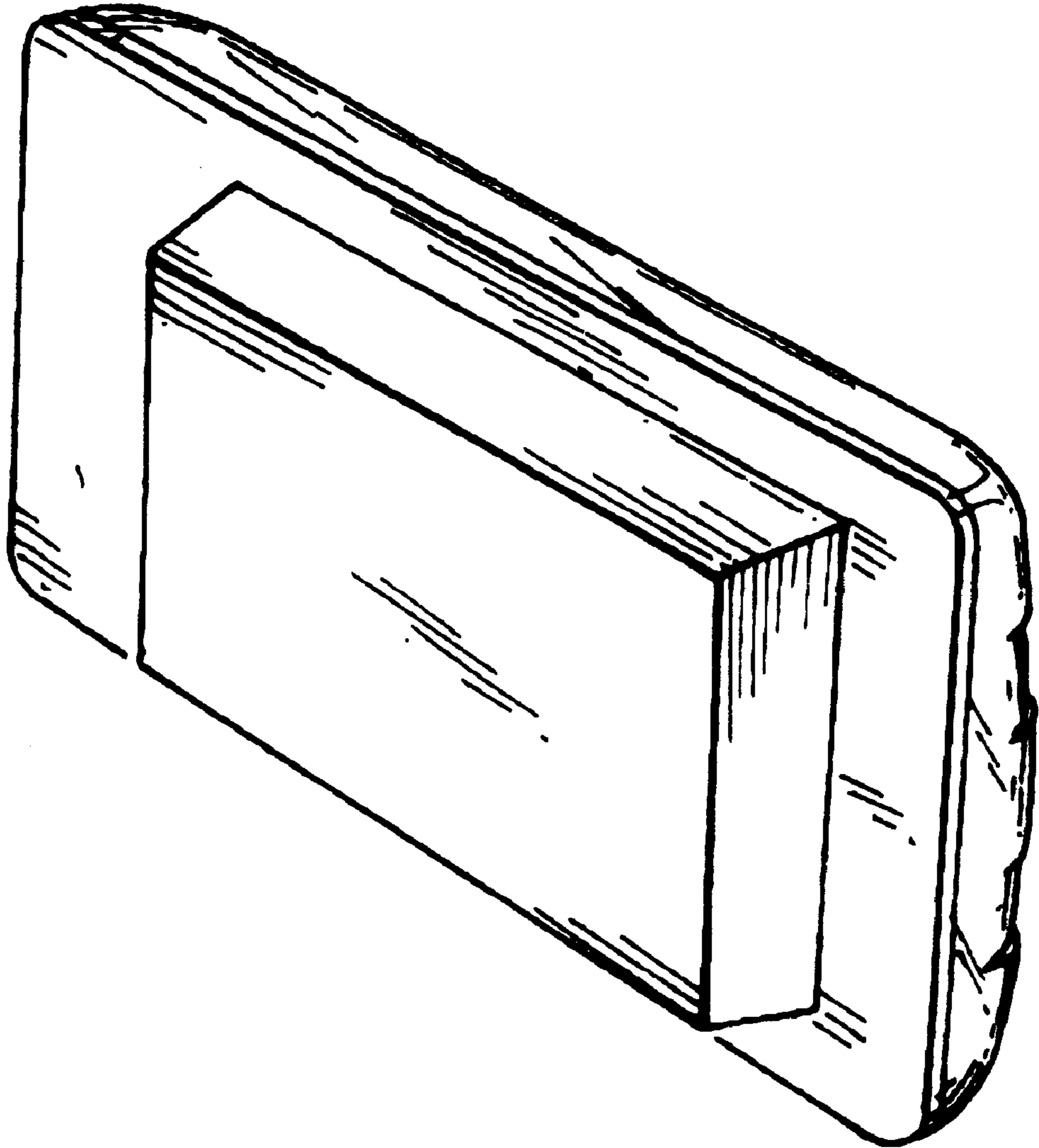
FIG. 4 is a plan view; and,

FIG. 5 is a perspective view from behind.

**1 Claim, 2 Drawing Sheets**







*FIG. 5.*