



US00D436190S

(12) **United States Design Patent**  
**Ballard et al.**

(10) **Patent No.:** **US D436,190 S**

(45) **Date of Patent:** **\*\* Jan. 9, 2001**

(54) **WINDOW FRAME EXTRUSION**

(75) Inventors: **Christopher R. Ballard; Jonathan C. Hauberg**, both of **Beavercreek**; **Philip G. Morton**, **Germantown**, all of **OH (US)**

(73) Assignee: **Dayton Technologies, Inc.**, **Monroe, OH (US)**

(\*\*) Term: **14 Years**

(21) Appl. No.: **29/122,748**

(22) Filed: **May 2, 2000**

(51) **LOC (7) Cl.** ..... **25-01**

(52) **U.S. Cl.** ..... **D25/124**

(58) **Field of Search** ..... **D25/52, 60, 119-125; 49/504, 505, DIG. 2; 52/204.5, 730.3, 730.4, 730.5, 204.1, 202, 731, 732**

(56) **References Cited**

**U.S. PATENT DOCUMENTS**

D. 390,974 \* 2/1998 Opielski et al. .... D25/124

\* cited by examiner

*Primary Examiner*—Doris Clark

(74) *Attorney, Agent, or Firm*—Jacox, Meckstroth & Jenkins

(57) **CLAIM**

The ornamental design of a window frame extrusion, as shown and described.

**DESCRIPTION**

FIG. 1 is a front perspective view of a window frame extrusion, showing our new design, with a middle portion broken away to disclose indefinite length; and, FIG. 2 is an end view thereof, the opposite end view being a mirror image.

**1 Claim, 1 Drawing Sheet**

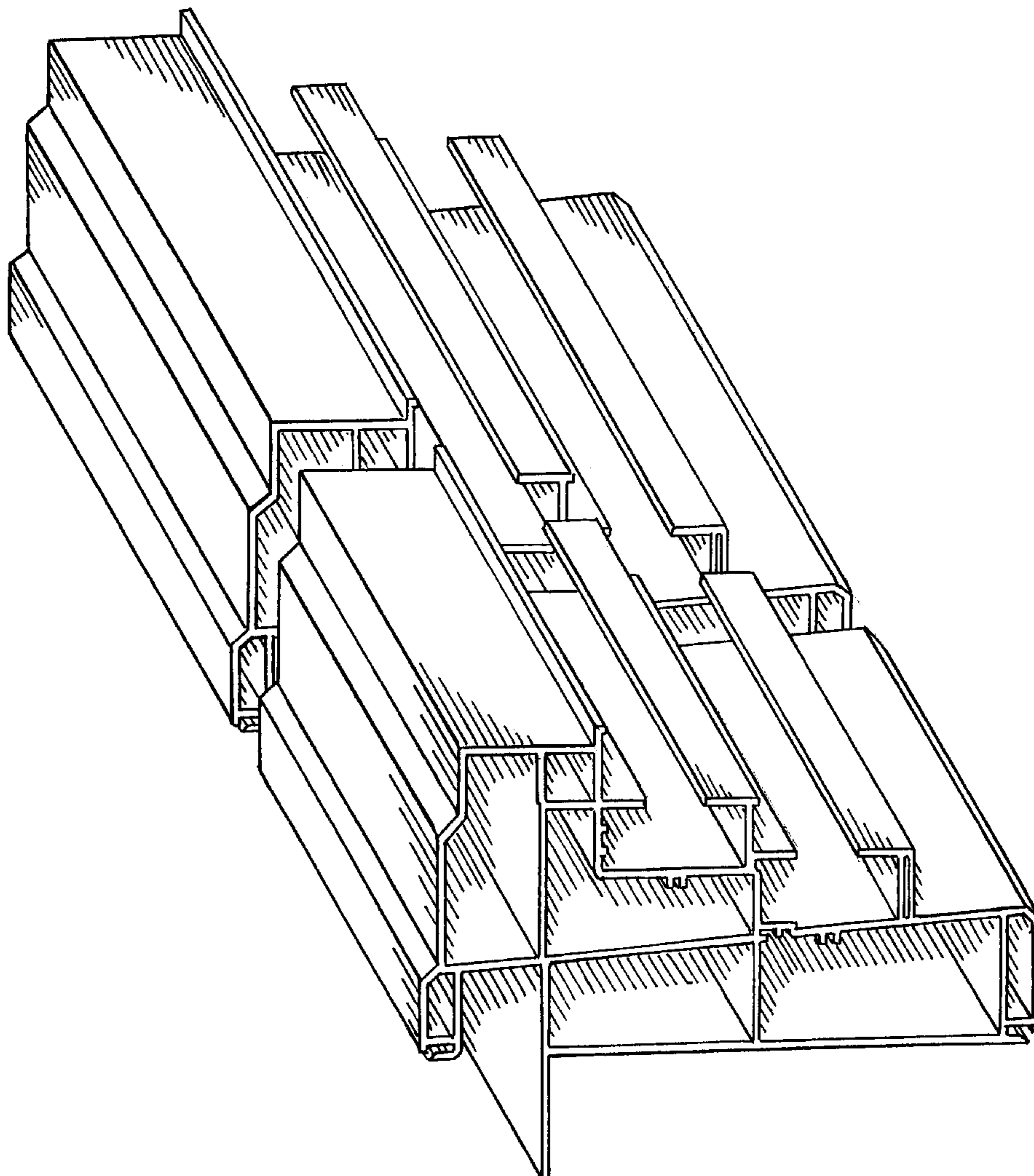


FIG-1

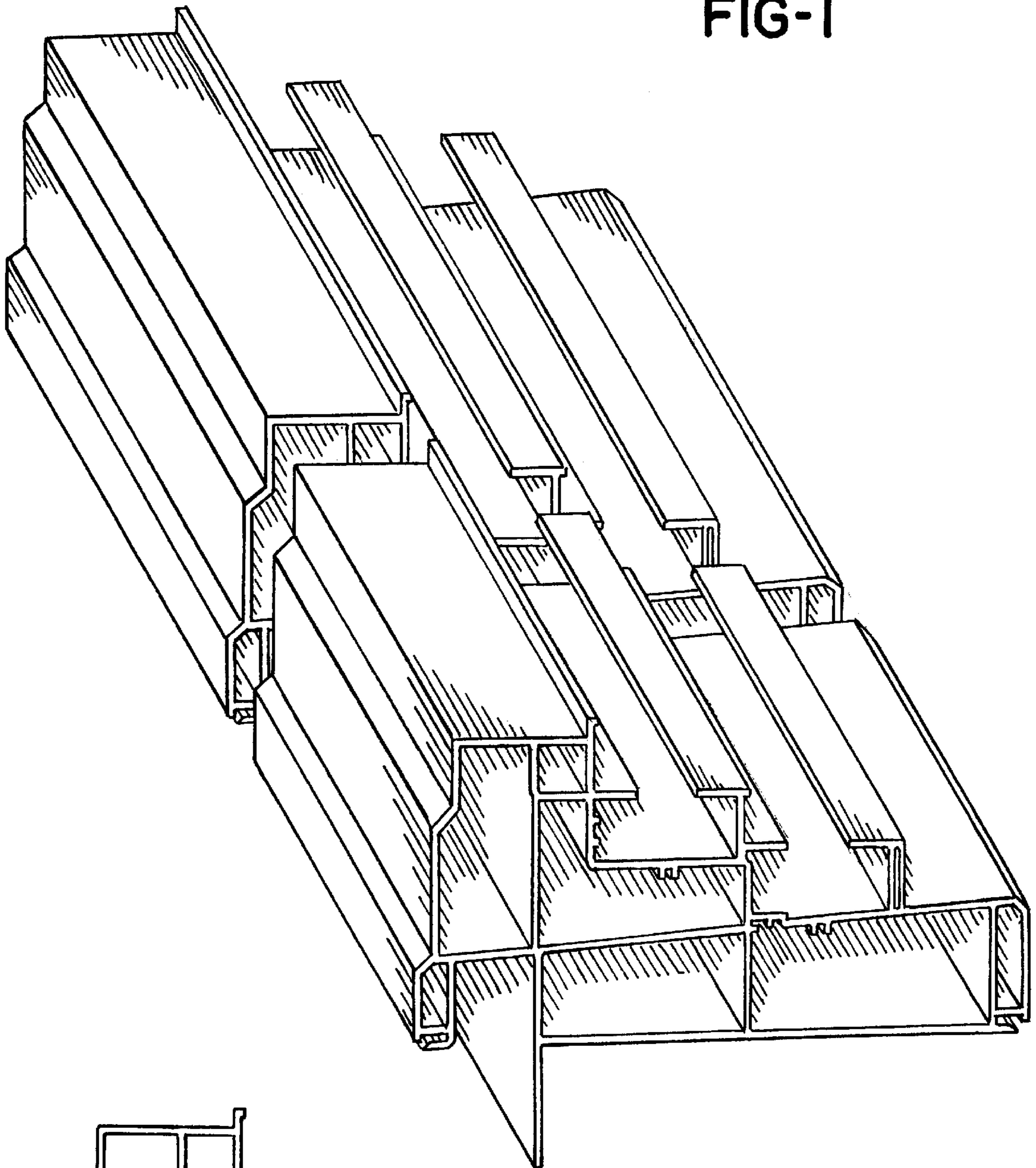


FIG-2

