



US00D436189S

(12) **United States Design Patent**  
**Habeck et al.**

(10) **Patent No.:** **US D436,189 S**

(45) **Date of Patent:** **\*\* Jan. 9, 2001**

(54) **PICTURE FRAME FOR REPLACEMENT  
PICTURE WINDOW**

D. 377,533 \* 1/1997 Dallaire et al. .... D25/124  
D. 402,055 \* 12/1998 Leonelli ..... D25/124  
4,944,118 \* 7/1990 Biro ..... 49/504

(75) Inventors: **Jerome Carl Habeck**, Holt; **Dennis C. Westphal**, Parma, both of MI (US); **David S. Levine**, King of Prussia; **Stanley Gursky**, Yardley, both of PA (US)

\* cited by examiner

(73) Assignee: **CertainTeed Corporation**, Valley Forge, PA (US)

*Primary Examiner*—Doris Clark  
(74) *Attorney, Agent, or Firm*—Duane Morris & Heckscher LLP

(\*\*) Term: **14 Years**

(57) **CLAIM**

(21) Appl. No.: **29/121,467**

The ornamental design for a picture frame for replacement picture window, as shown and described.

(22) Filed: **Apr. 6, 2000**

(51) **LOC (7) Cl.** ..... **25-01**

(52) **U.S. Cl.** ..... **D25/124**

(58) **Field of Search** ..... 52/777, 778, 779,  
52/764, 204.5, 204.55, 656.4, 656.5, 656.6,  
656.7; D25/124, 60, 125, 52; 49/504, DIG. 2

**DESCRIPTION**

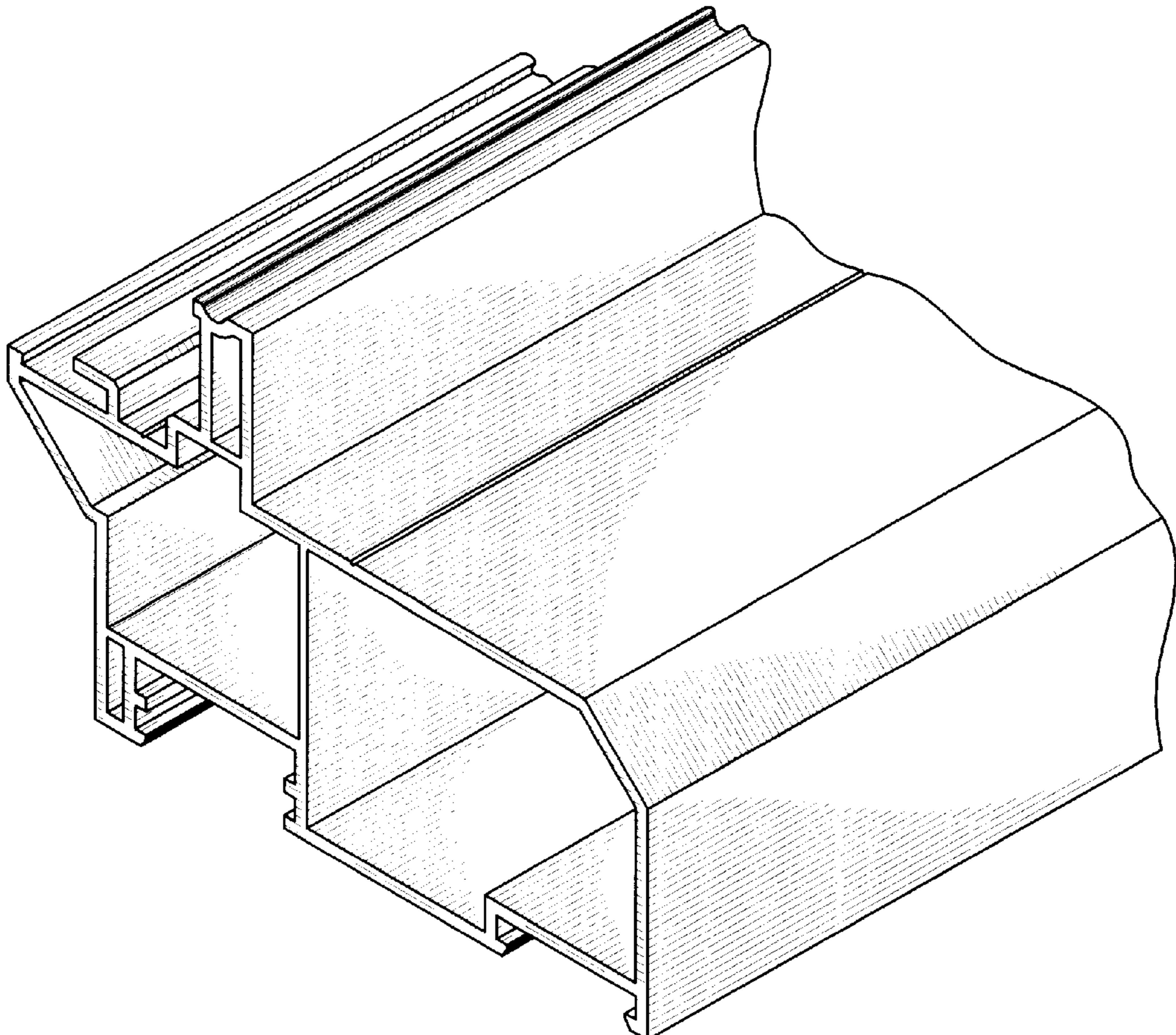
The FIGURE is a front perspective view of a picture frame for replacement picture window, showing our new design, the rear perspective view being a mirror image thereof and is shown fragmented indicating indefinite length.

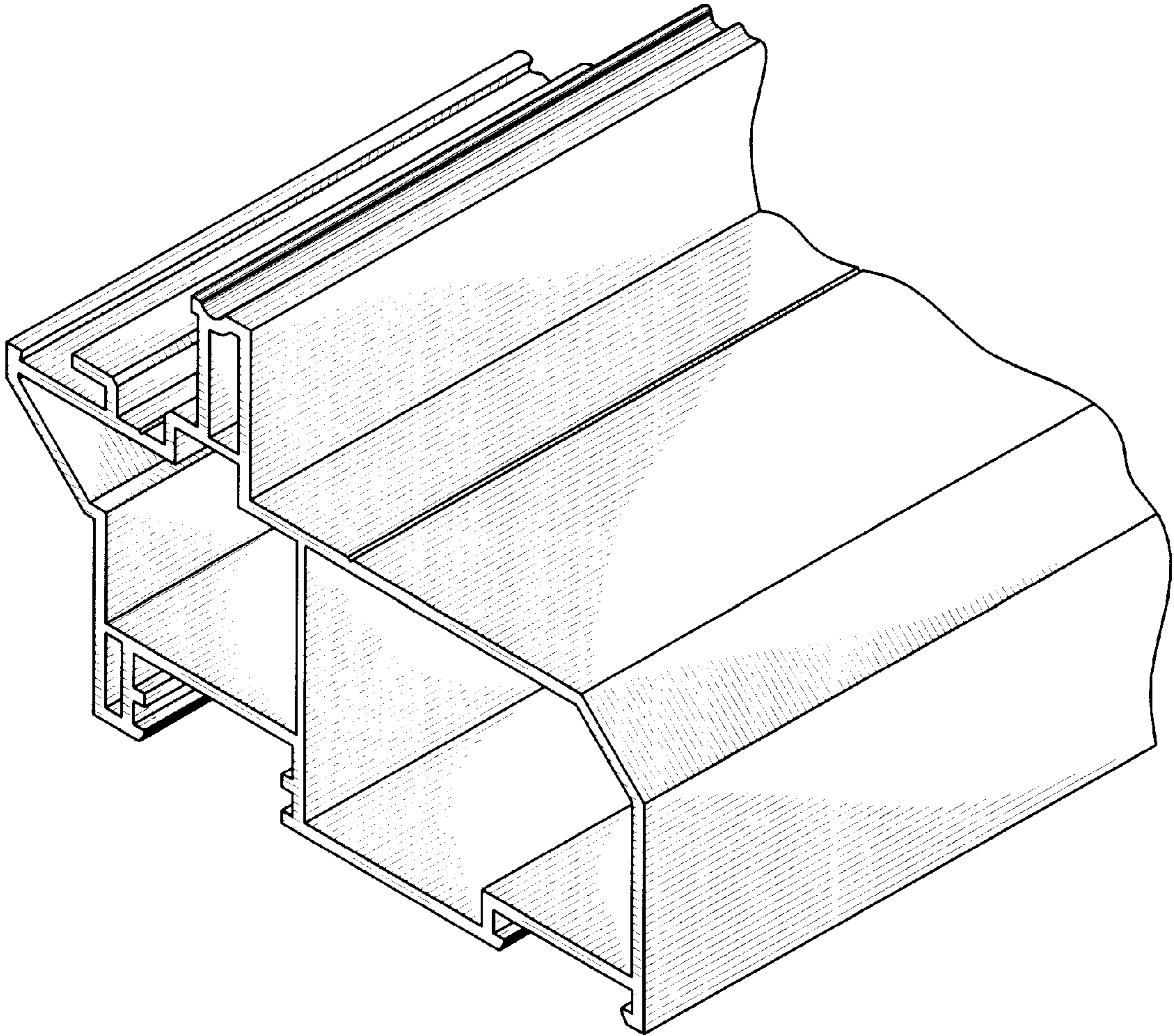
(56) **References Cited**

**U.S. PATENT DOCUMENTS**

D. 369,419 \* 4/1996 Franson ..... D25/125

**1 Claim, 1 Drawing Sheet**





THE FIGURE