



US00D436177S

(12) **United States Design Patent**
Miller

(10) **Patent No.:** **US D436,177 S**

(45) **Date of Patent:** **** Jan. 9, 2001**

(54) **ANKLE BRACE**

5,836,903 * 11/1998 Peters 602/27
6,053,884 * 4/2000 Peters 602/27

(75) Inventor: **Donna F. Miller**, Harrisburg, NC (US)

* cited by examiner

(73) Assignee: **Clinitex Medical Corporation**,
Huntersville, NC (US)

Primary Examiner—Stella Reid

(74) *Attorney, Agent, or Firm*—Dougherty & Clements
LLP

(**) Term: **14 Years**

(57) **CLAIM**

(21) Appl. No.: **29/125,259**

The ornamental design for an ankle brace, as shown and
described.

(22) Filed: **Jun. 21, 2000**

(51) **LOC (7) Cl.** **24-04**

DESCRIPTION

(52) **U.S. Cl.** **D24/192**

(58) **Field of Search** D24/192, 190;
602/5, 6, 23, 27

FIG. 1 is a perspective view of an ankle brace, showing my
new design, the broken line showing is for illustrative
purposes only and forms no part of the claimed design;

FIG. 2 is a top view thereof;

FIG. 3 is a front view thereof;

FIG. 4 is a left side view thereof;

FIG. 5 is a back view thereof;

FIG. 6 is a right side view thereof; and,

FIG. 7 is a bottom view thereof.

(56) **References Cited**

U.S. PATENT DOCUMENTS

D. 338,066	*	8/1993	Baron	D24/192
4,729,370	*	3/1988	Kallassy	602/65
5,031,607	*	7/1991	Peters	602/27
5,472,411	*	12/1995	Montag et al.	602/23
5,501,659	*	3/1996	Morris et al.	602/27

1 Claim, 2 Drawing Sheets

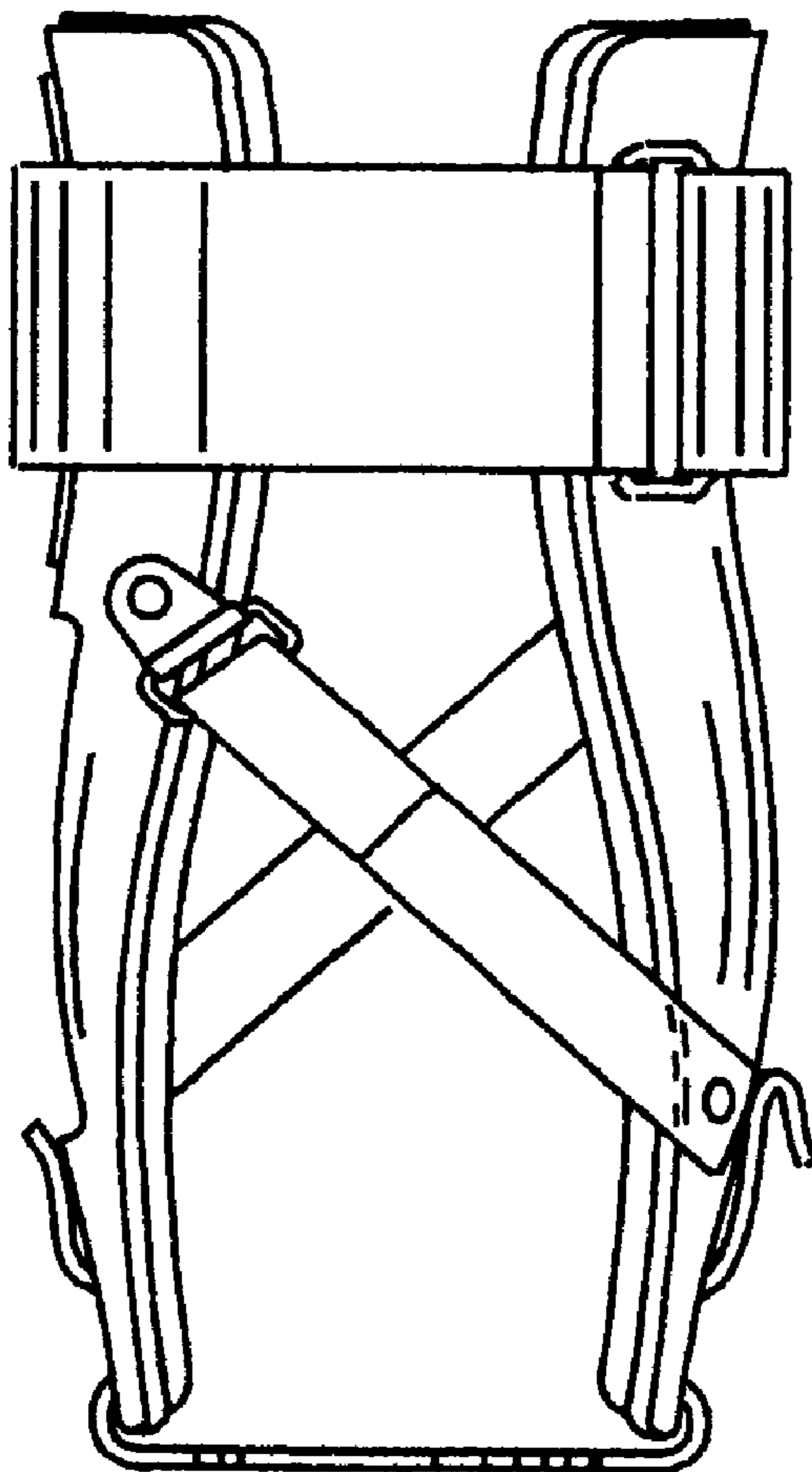
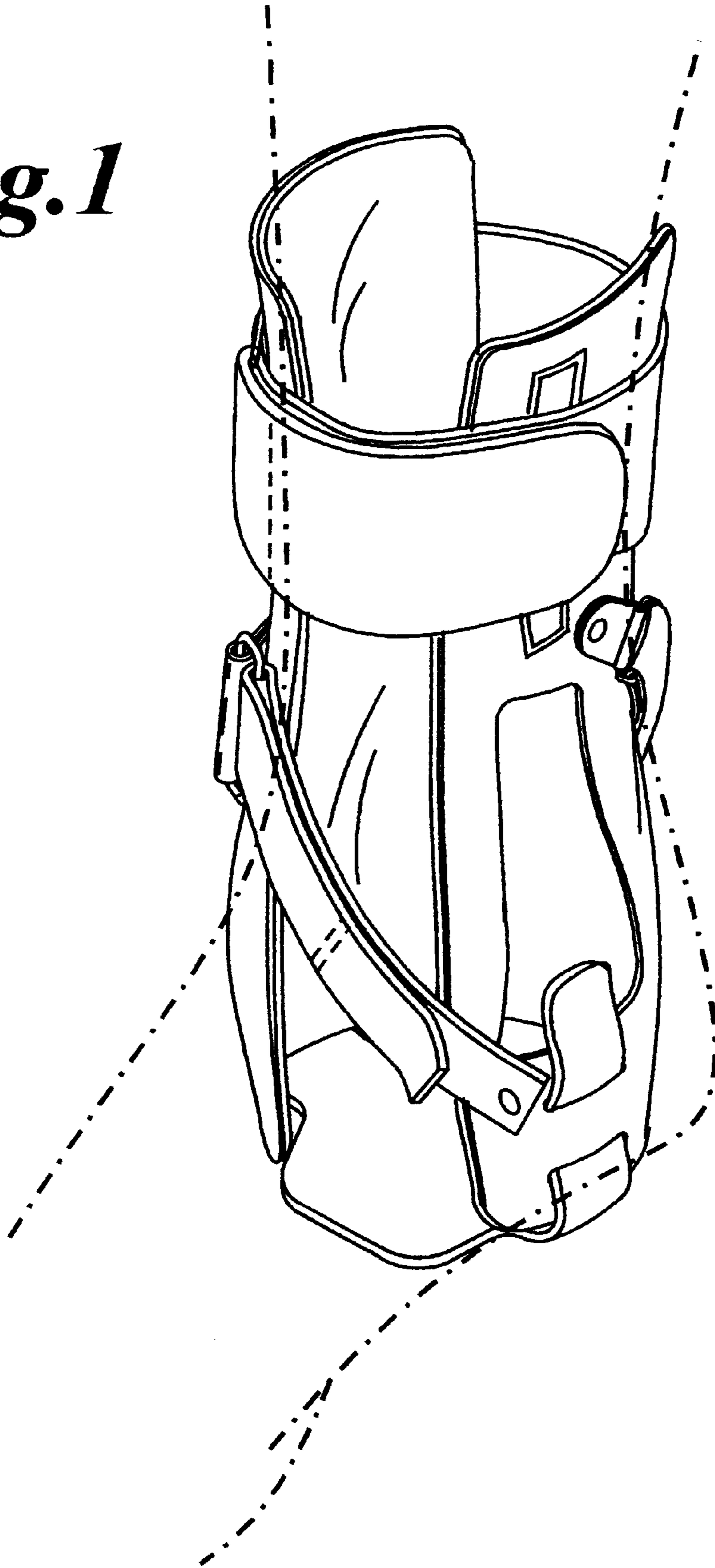


Fig. 1



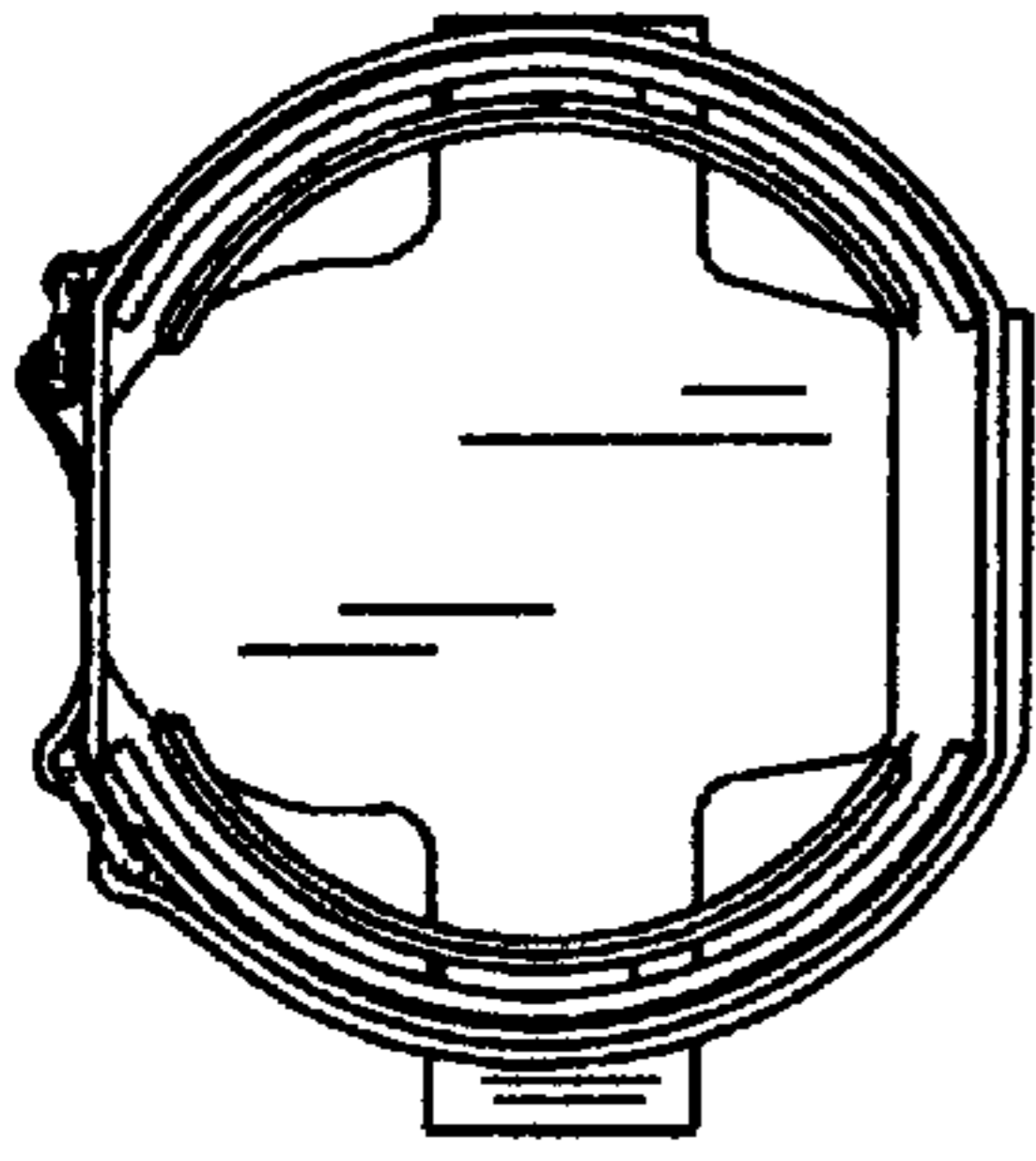


Fig. 2

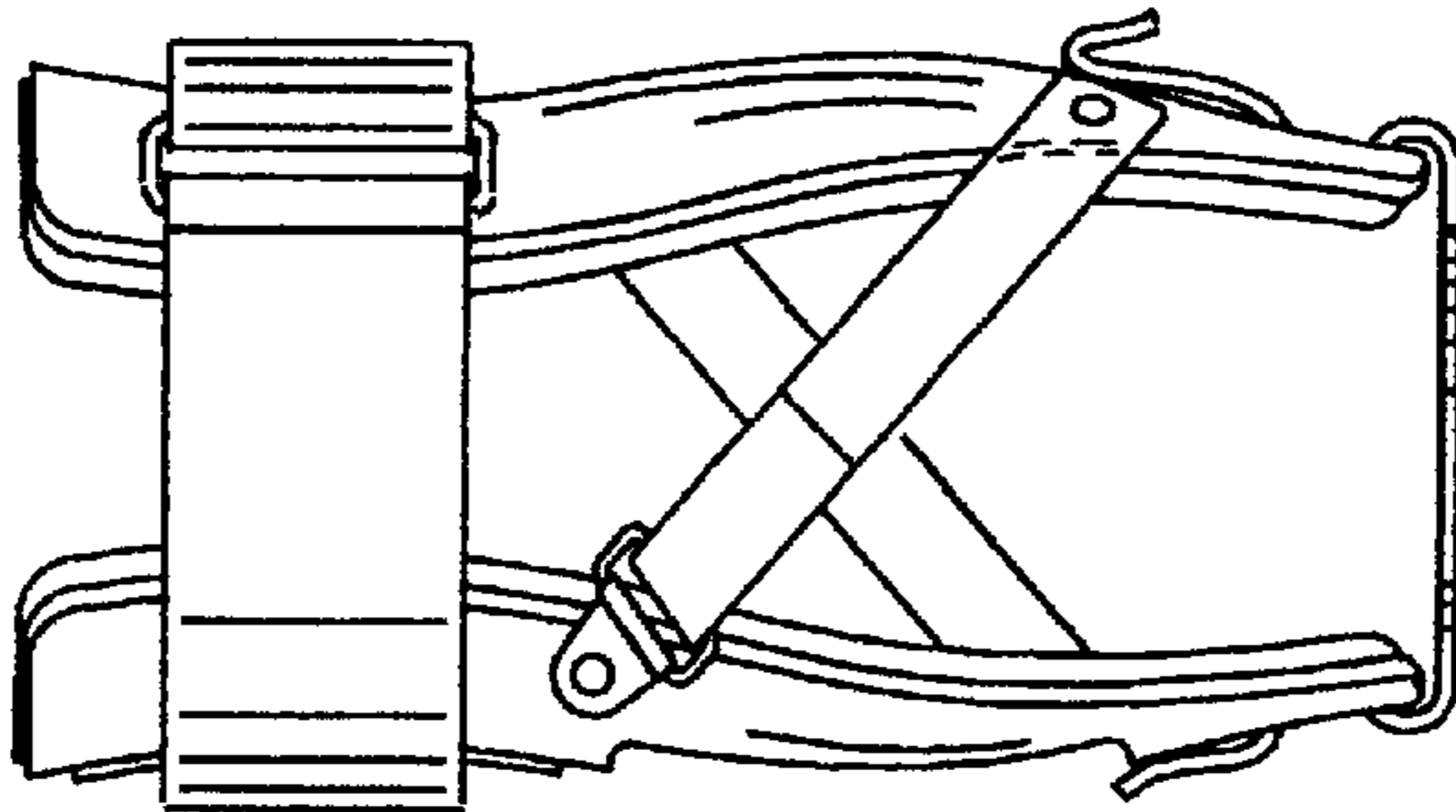


Fig. 3

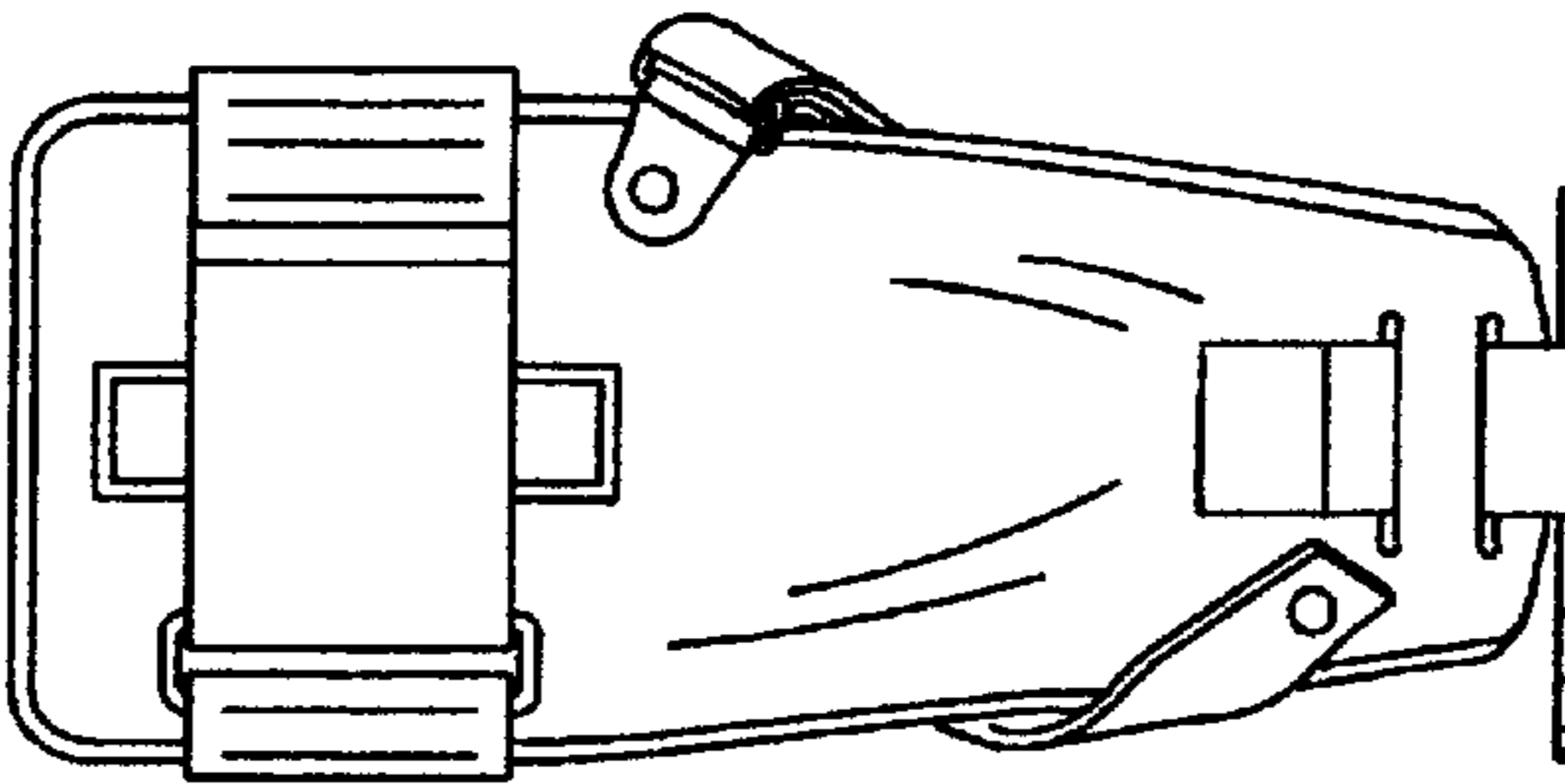


Fig. 4

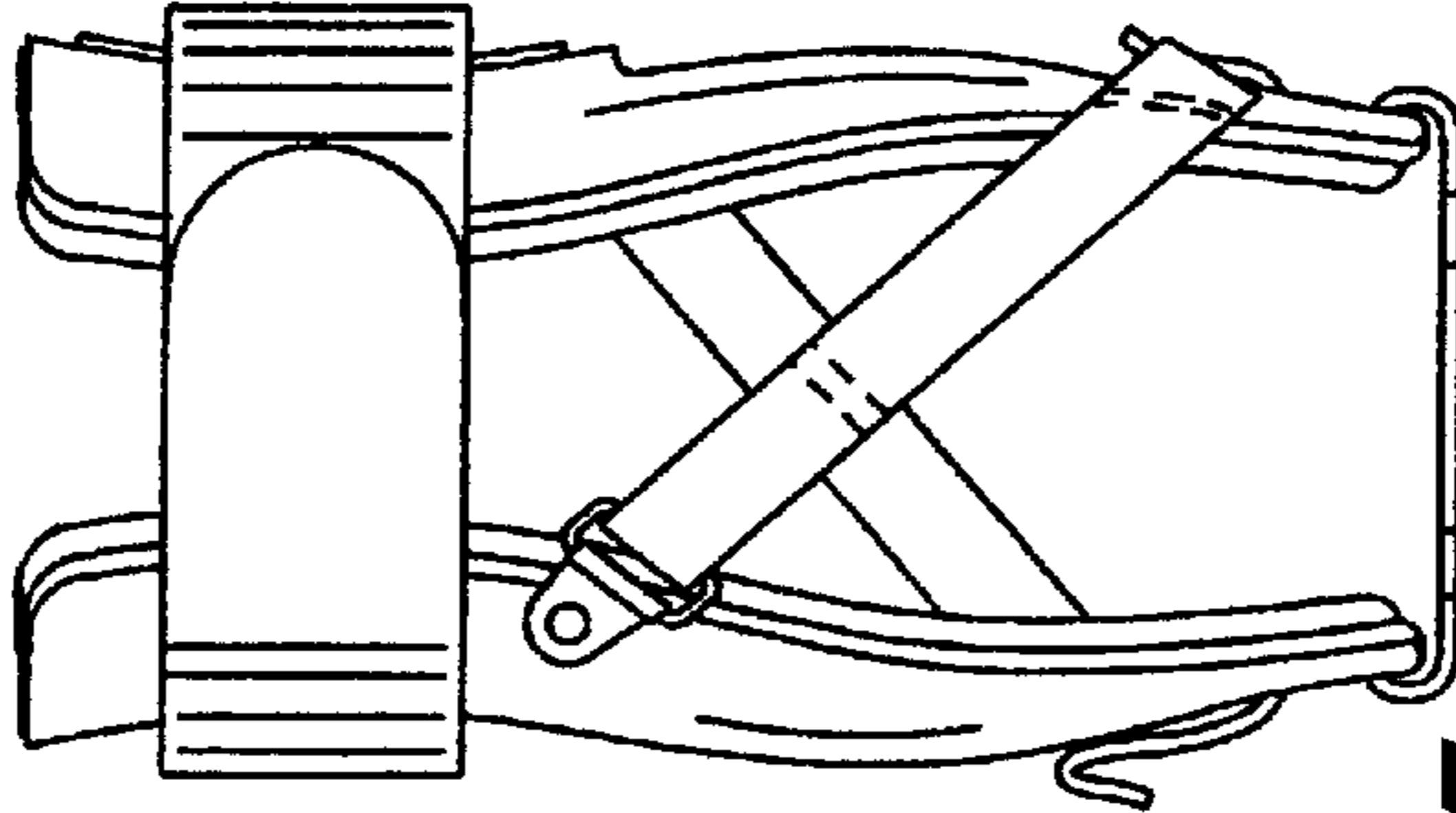


Fig. 5

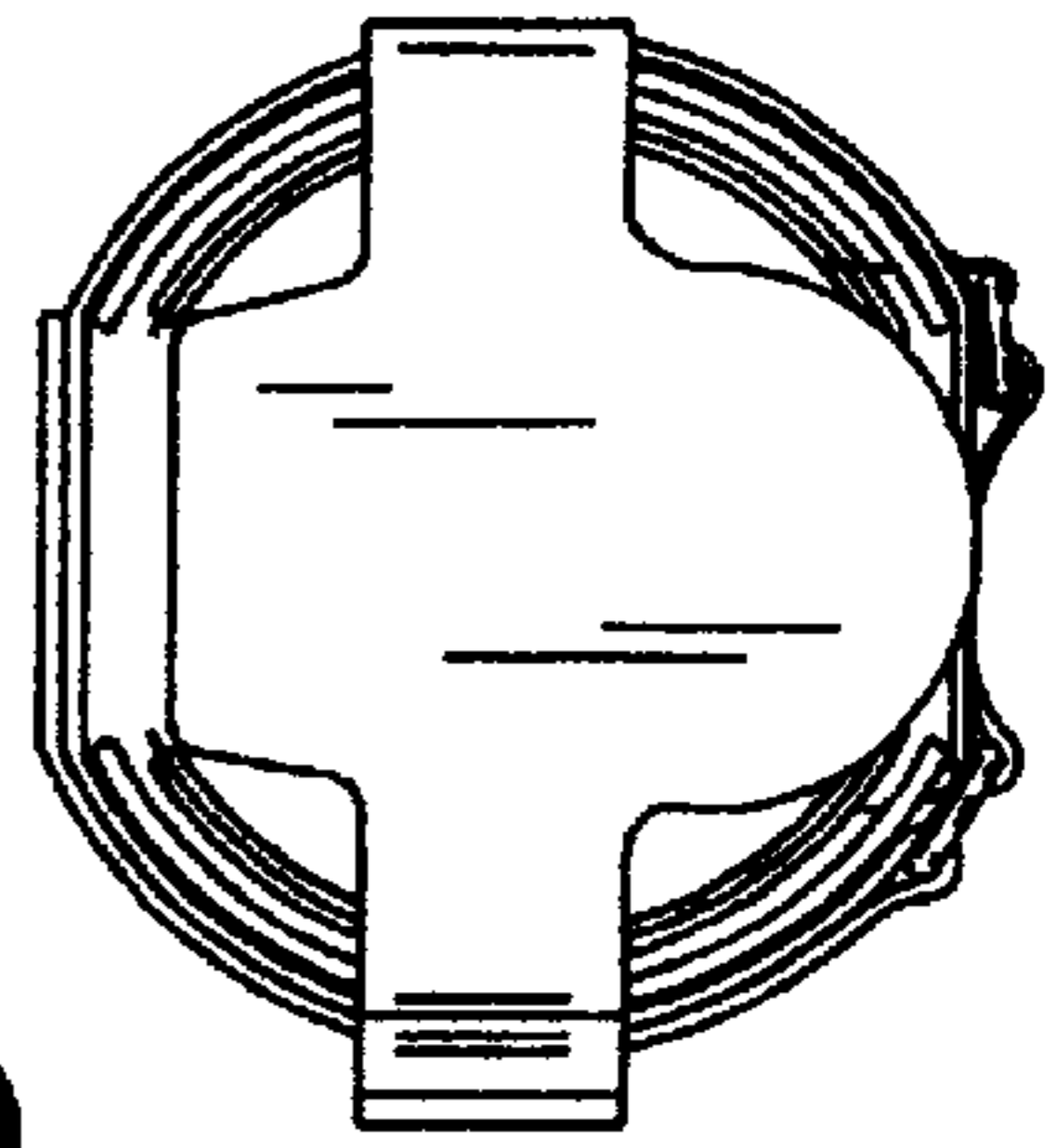


Fig. 7

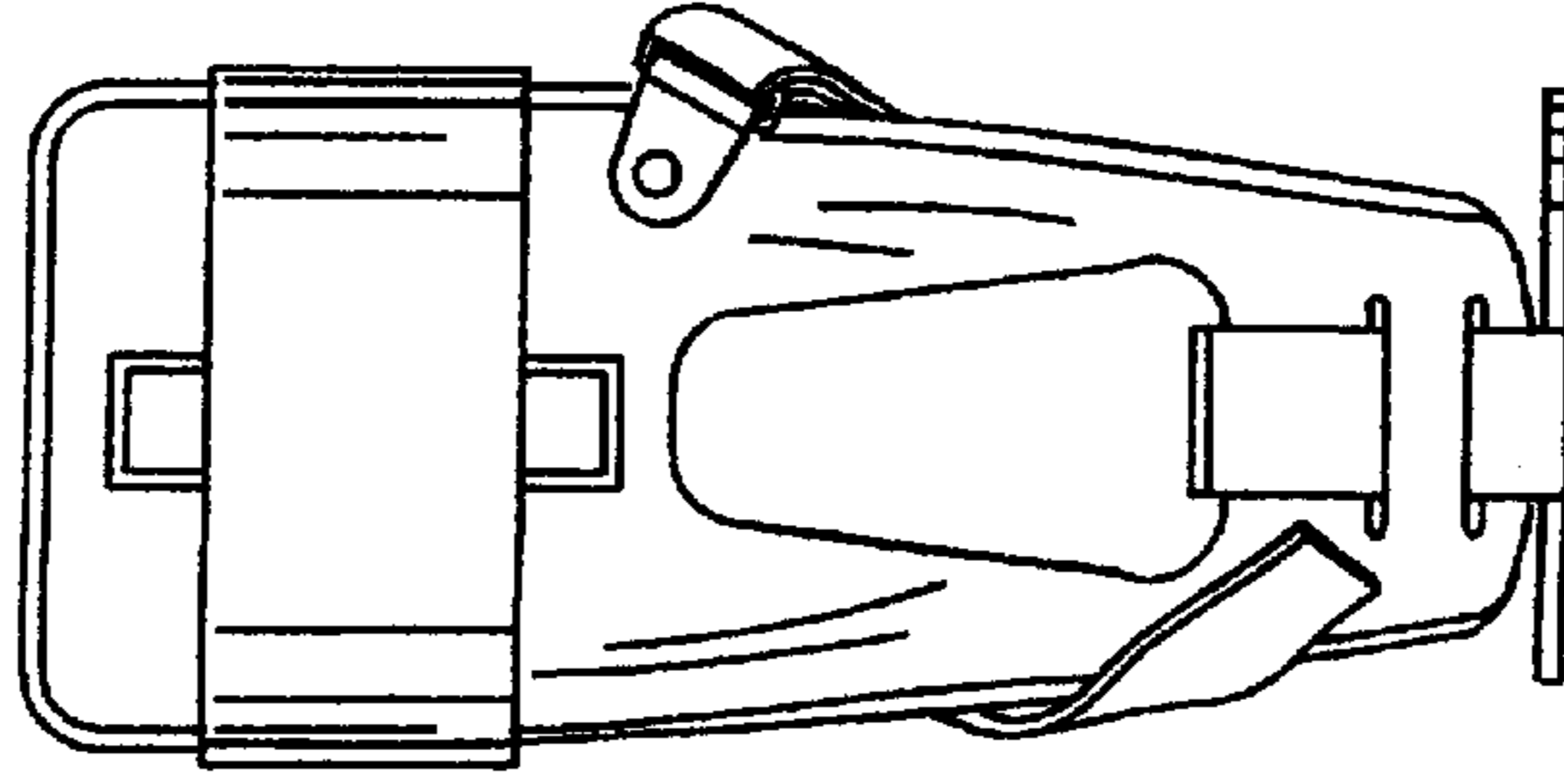


Fig. 6