



US00D436176S

(12) **United States Design Patent**  
**Fanuzzi**

(10) **Patent No.:** **US D436,176 S**

(45) **Date of Patent:** **\*\* Jan. 9, 2001**

(54) **COMBINED FACIAL AND BODY MASSAGE TABLE**

D. 265,241 \* 6/1982 Patterson ..... D24/183  
D. 403,772 \* 1/1999 Fanuzzi ..... D24/183

(76) **Inventor:** **John Fanuzzi**, Hwy. 89, 7 Point Ranch,  
Emigrant, MT (US) 59027

\* cited by examiner

*Primary Examiner*—Stella Reid

(\*\*) **Term:** **14 Years**

(57) **CLAIM**

(21) **Appl. No.:** **29/093,441**

The ornamental design for a combined facial and body massage table, as shown and described.

(22) **Filed:** **Sep. 9, 1998**

**DESCRIPTION**

(51) **LOC (7) Cl.** ..... **24-01**

(52) **U.S. Cl.** ..... **D24/183**

(58) **Field of Search** ..... D24/183; 5/632,  
5/620, 622, 613; 601/24, 98, 134, 146;  
606/240–242

FIG. 1 is a perspective view of a combined facial and body massage table showing my new design;  
FIG. 2 is a front elevational view thereof;  
FIG. 3 is a right side elevational view with the left side elevational view being a mirror image thereof;  
FIG. 4 is a top plan view thereof; and,  
FIG. 5 is a bottom plan view thereof.

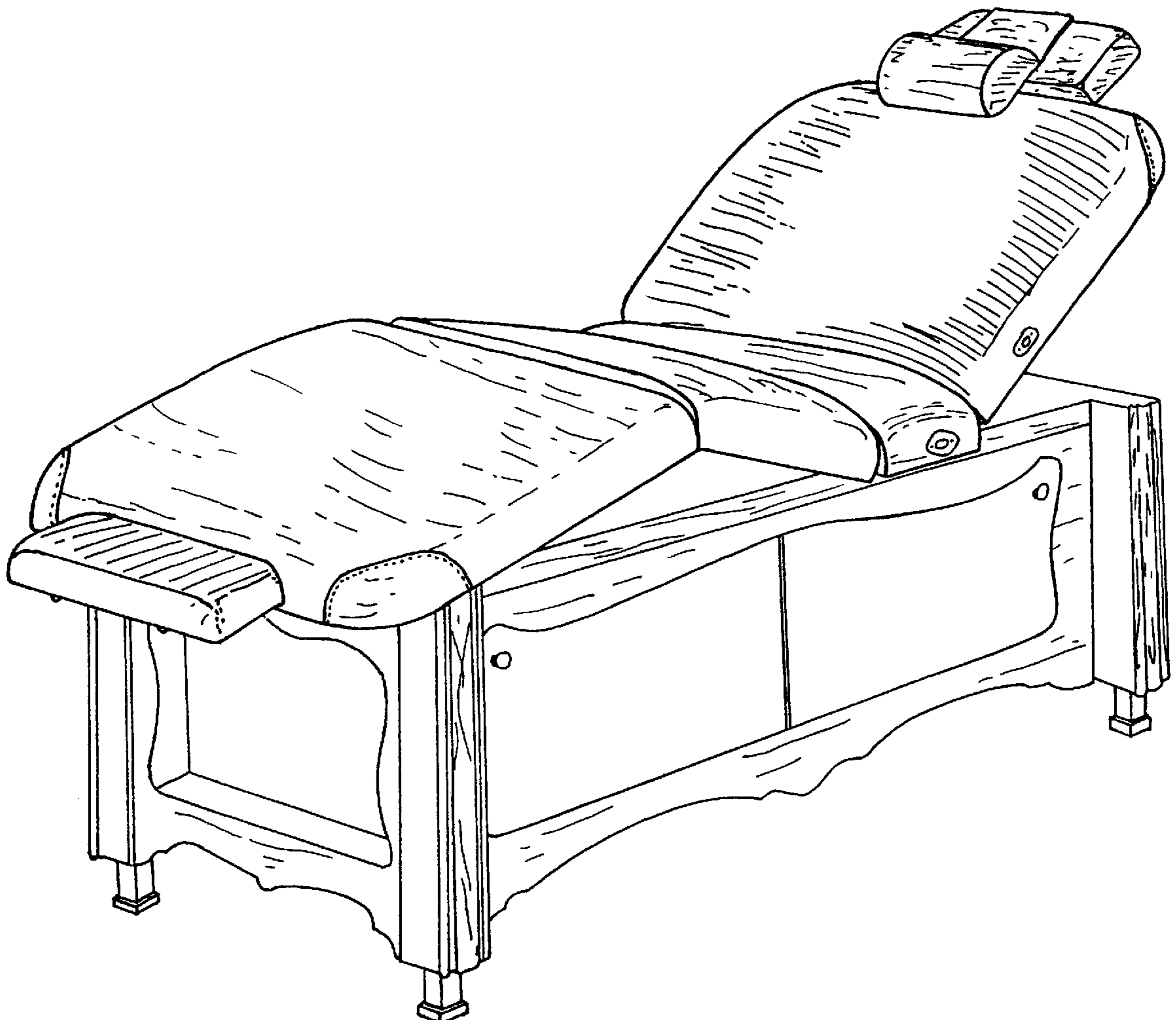
(56) **References Cited**

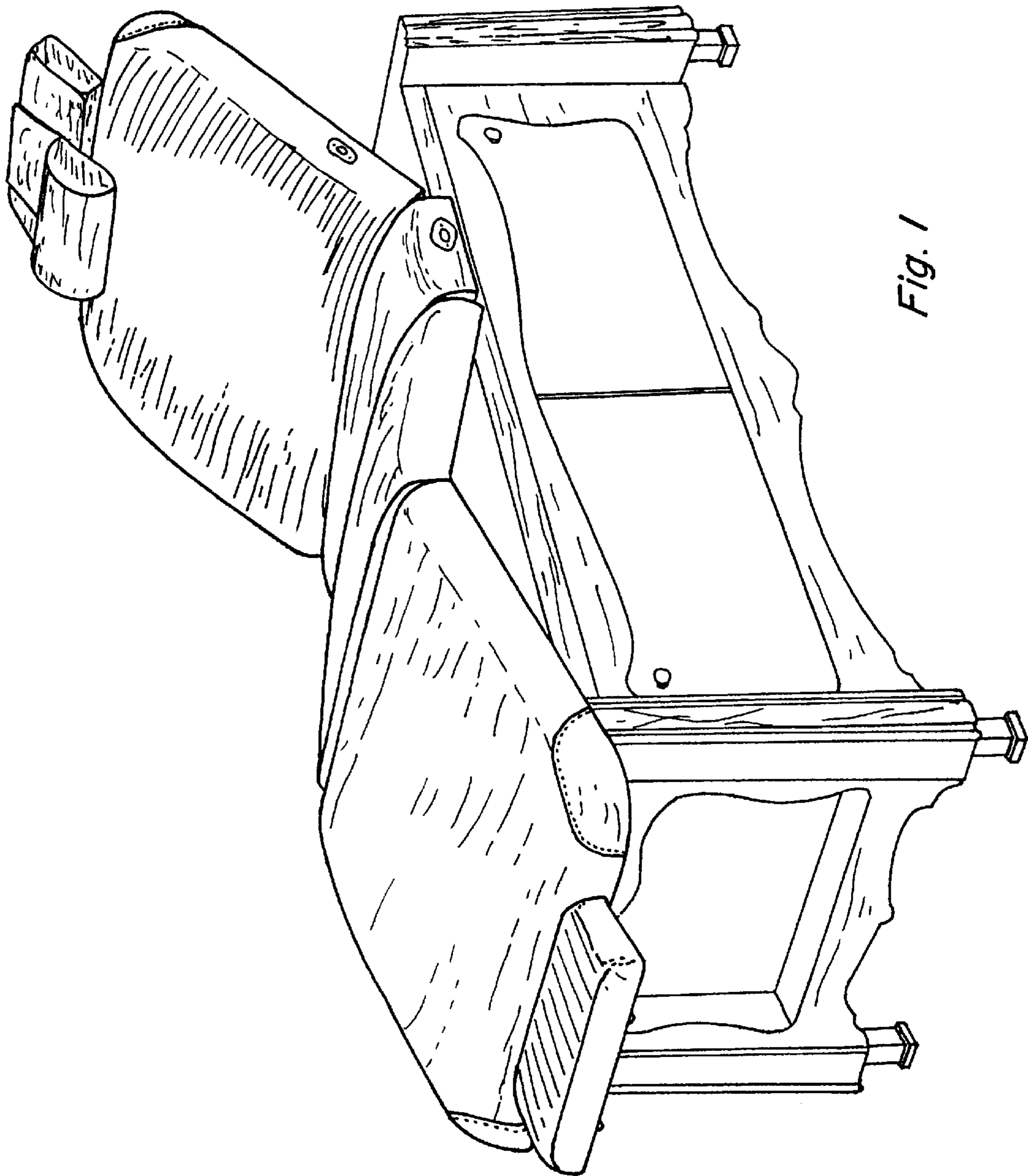
The surface(s) or portion(s) of the article not shown in the drawing or described in the specification form(s) no part of the claimed design.

**U.S. PATENT DOCUMENTS**

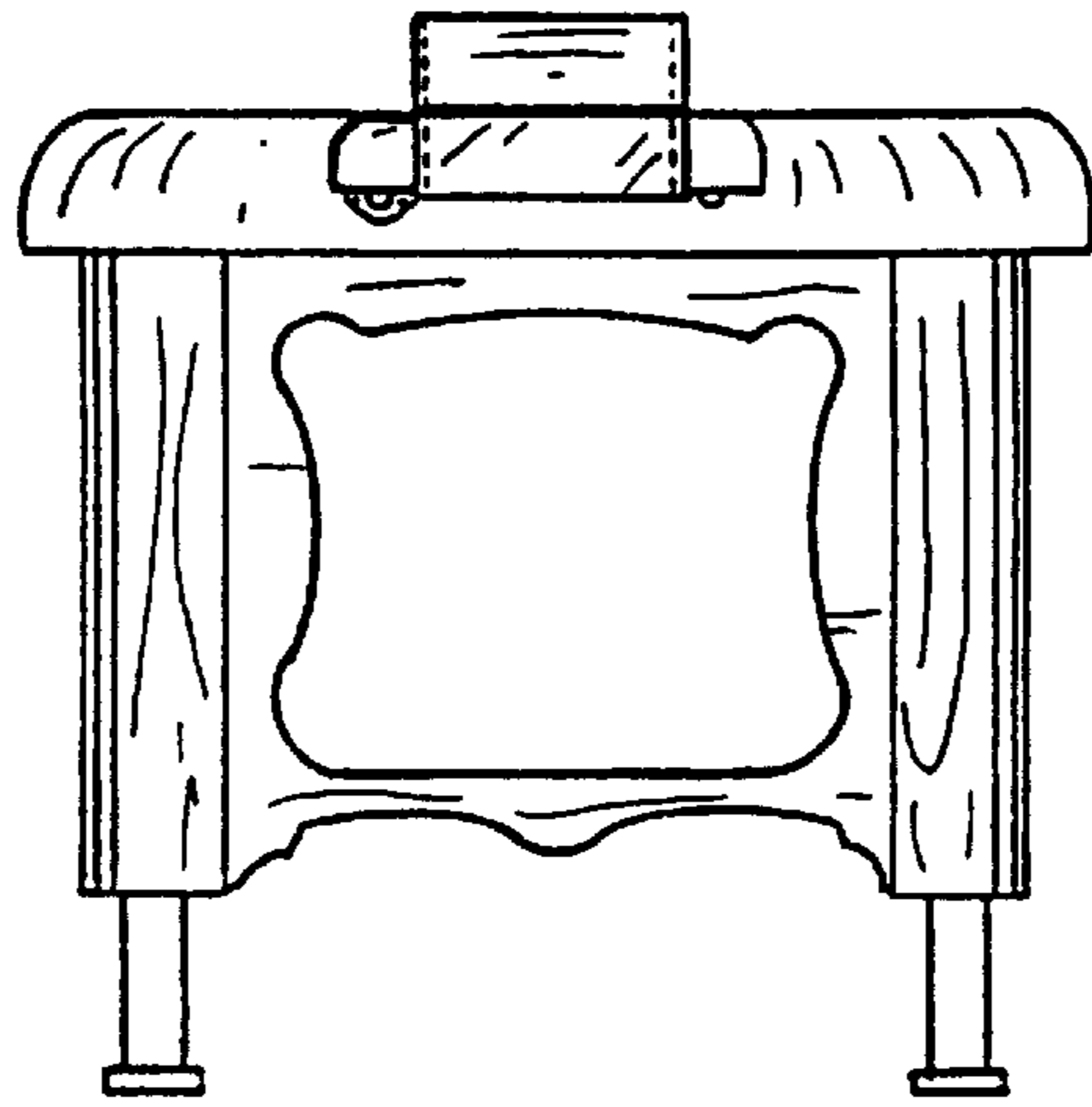
D. 188,833 \* 9/1960 Roehm ..... D24/183  
D. 245,287 \* 8/1977 Damico et al. .... D24/183  
D. 261,549 \* 10/1981 Patterson ..... D24/183

**1 Claim, 3 Drawing Sheets**

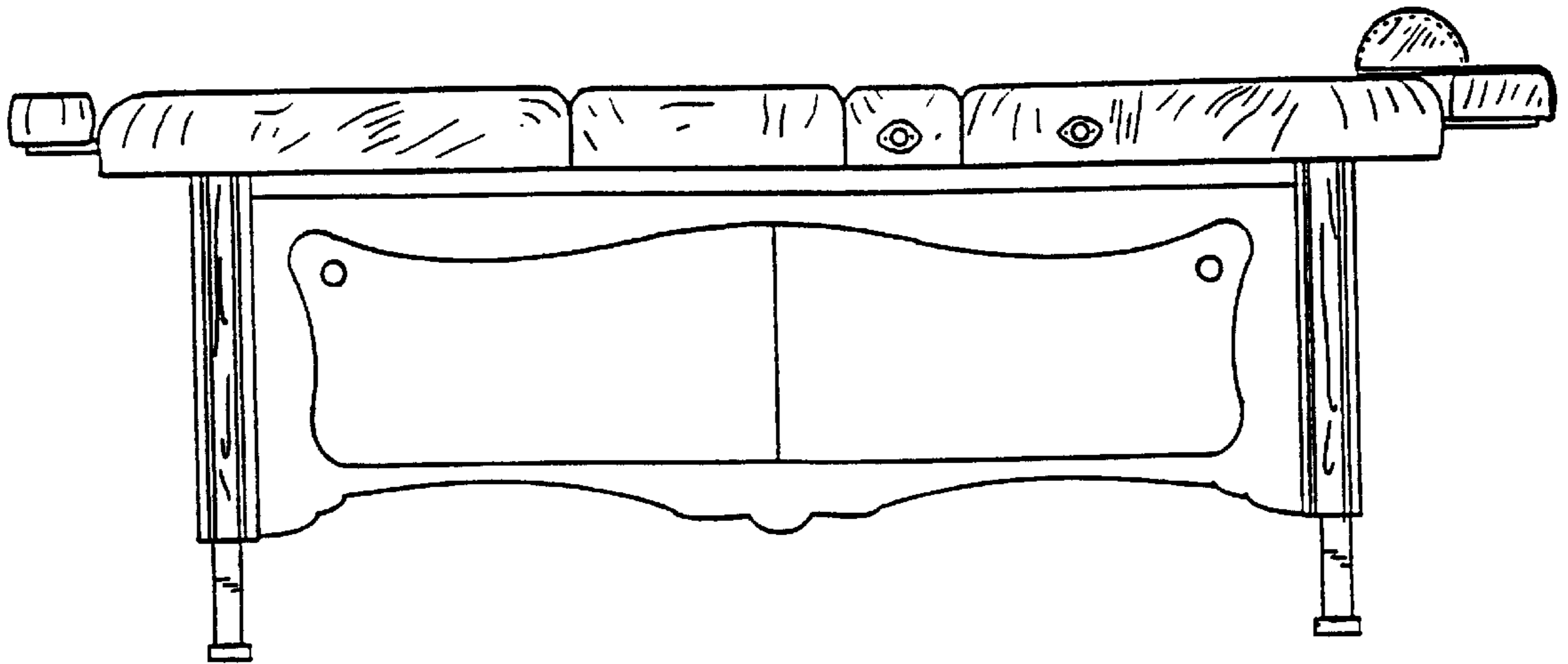




*Fig. 1*



*Fig. 2*



*Fig. 3*

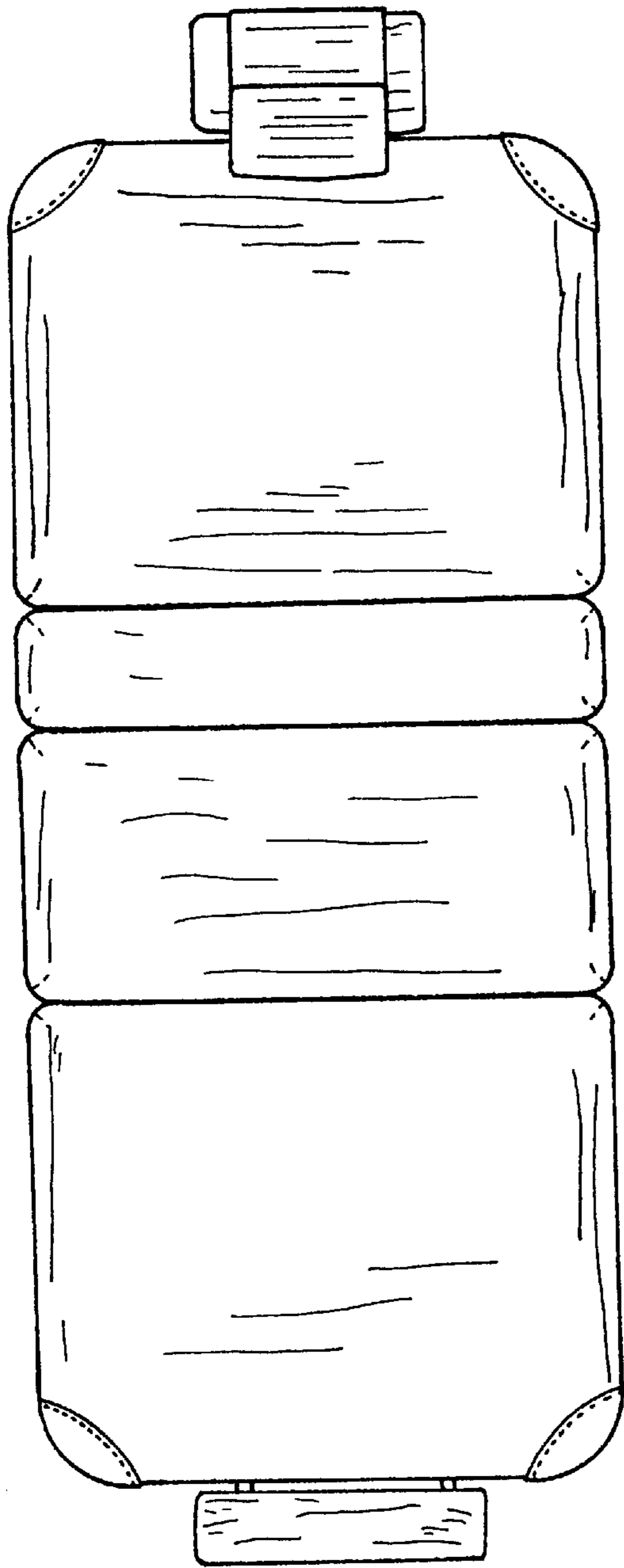


Fig. 4

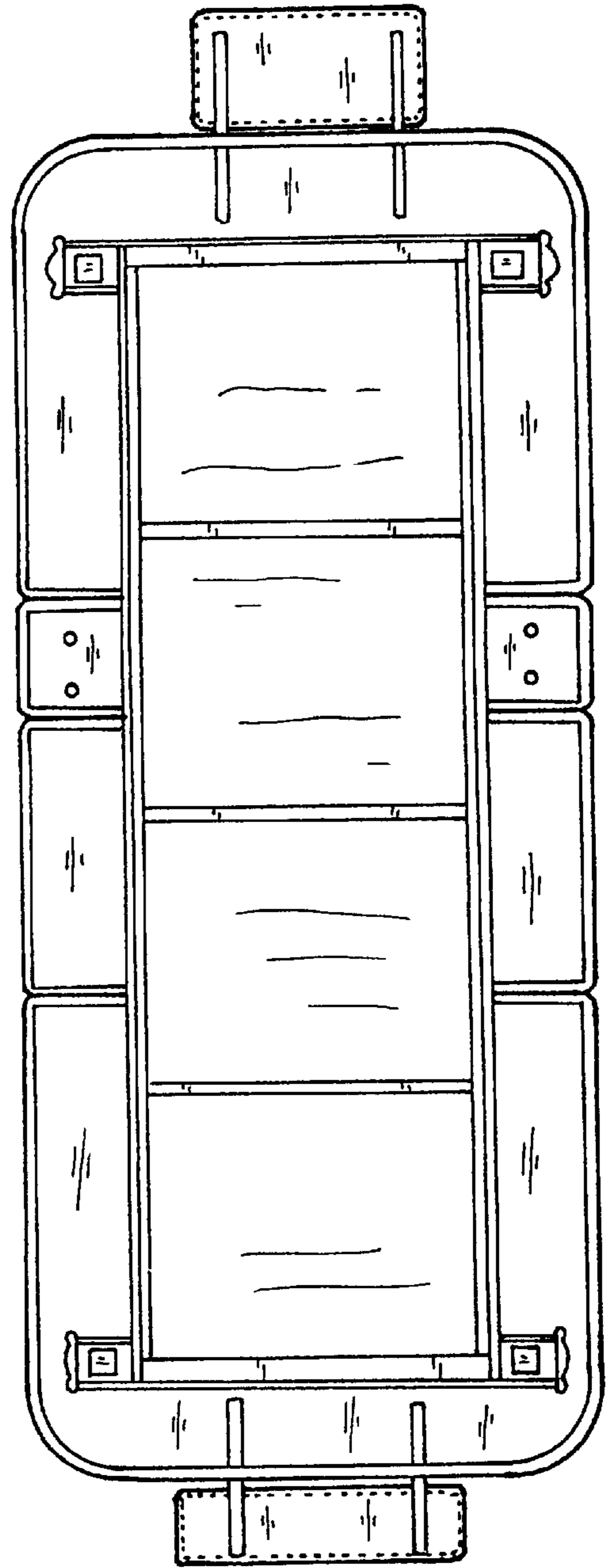


Fig. 5