



US00D436175S

(12) **United States Design Patent**
Tumey et al.

(10) **Patent No.:** **US D436,175 S**

(45) **Date of Patent:** **** Jan. 9, 2001**

(54) **MEDICAL IMAGING EXAMINATION TABLE**

(75) Inventors: **David M. Tumey; L. Tab Randolph,**
both of San Antonio, TX (US)

(73) Assignee: **KCI New Technologies, Inc.,** San
Antonio, TX (US)

(**) Term: **14 Years**

(21) Appl. No.: **29/092,855**

(22) Filed: **Aug. 28, 1998**

(51) **LOC (7) Cl.** **24-01**

(52) **U.S. Cl.** **D24/183; D24/183**

(58) **Field of Search** D24/159, 158,
D24/183; 5/600, 601

(56) **References Cited**

U.S. PATENT DOCUMENTS

D. 392,741	*	3/1998	Blanchard et al.	D24/183
4,195,829	*	4/1980	Reser	5/601
4,856,741	*	8/1989	Schaefer	5/601 X
5,013,018	*	5/1991	Sicek et al.	5/601
5,490,297	*	2/1996	Bradovich et al.	5/601
5,564,662	*	10/1996	Lüssi et al.	248/188.2

OTHER PUBLICATIONS

The Bodfish Scintimammography Overlay, As depicted at
www.bodfish.com on No. 25, 1998, First publication/public
use date unknown.

Mammo Scintimammography Overlay and Scintimammog-
raphy Mattress, Nuclear Medicine Supplies Catalog #87,
date unknown, pp. 95 and 97.

Five photographs of unknownscintimammography overlay
product, date of first public use unkown.

* cited by examiner

Primary Examiner—Stella Reid

(74) *Attorney, Agent, or Firm*—Wayne J. Colton, Inc.

(57) **CLAIM**

The ornamental design for a medical imaging examination
table, as shown and described.

DESCRIPTION

FIG. 1 is a perspective view of a medical imaging exami-
nation table;

FIG. 2 is a top plan view thereof;

FIG. 3 is a left side elevational view thereof;

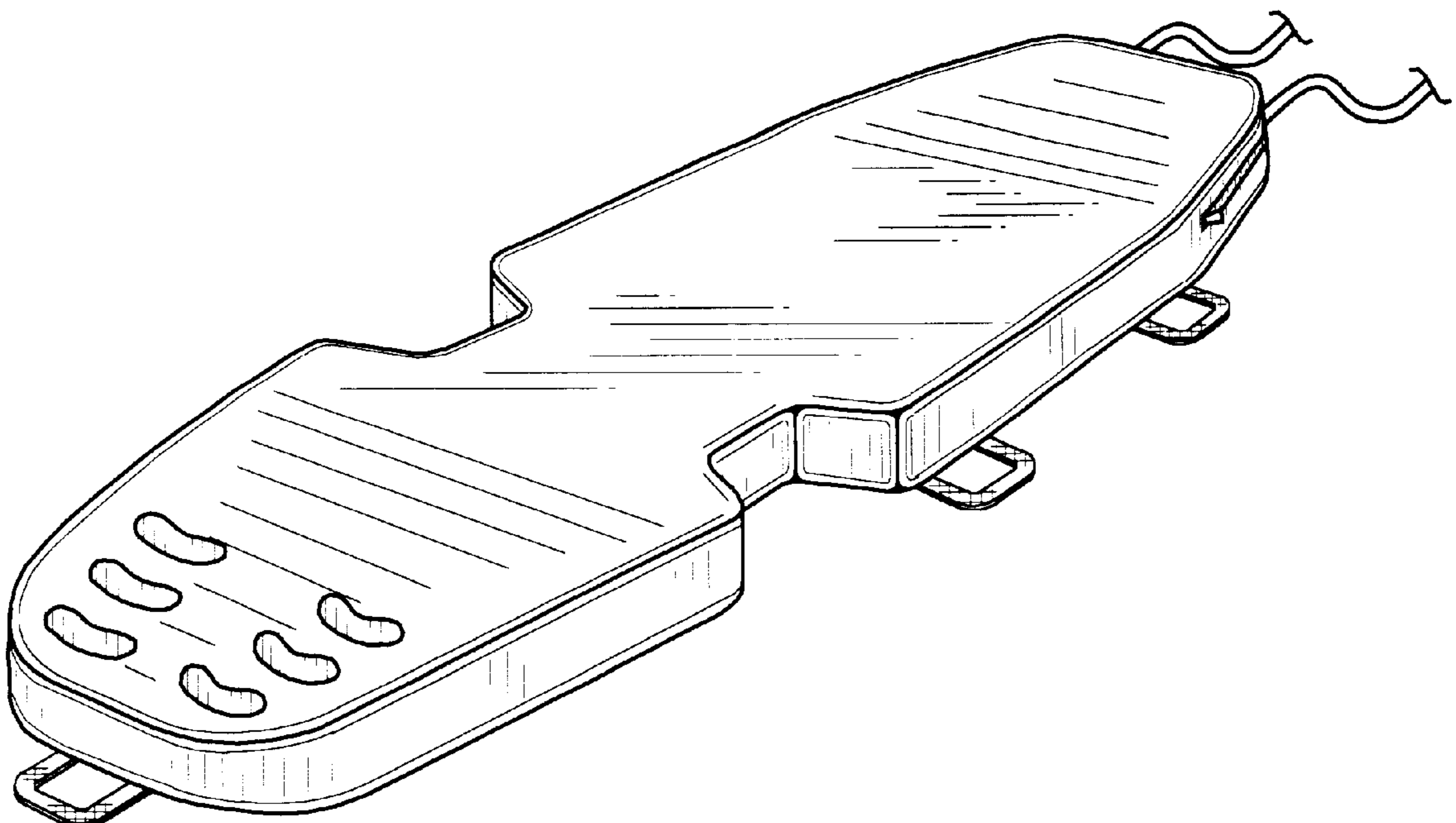
FIG. 4 is a right side elevational view thereof;

FIG. 5 is a front end elevational view thereof;

FIG. 6 is a rear end elevational view thereof; and,

FIG. 7 is a bottom plan view thereof.

1 Claim, 2 Drawing Sheets



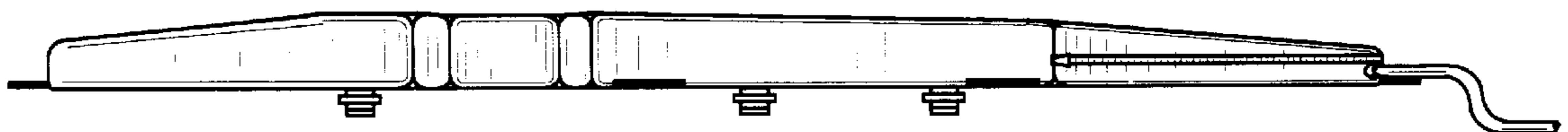
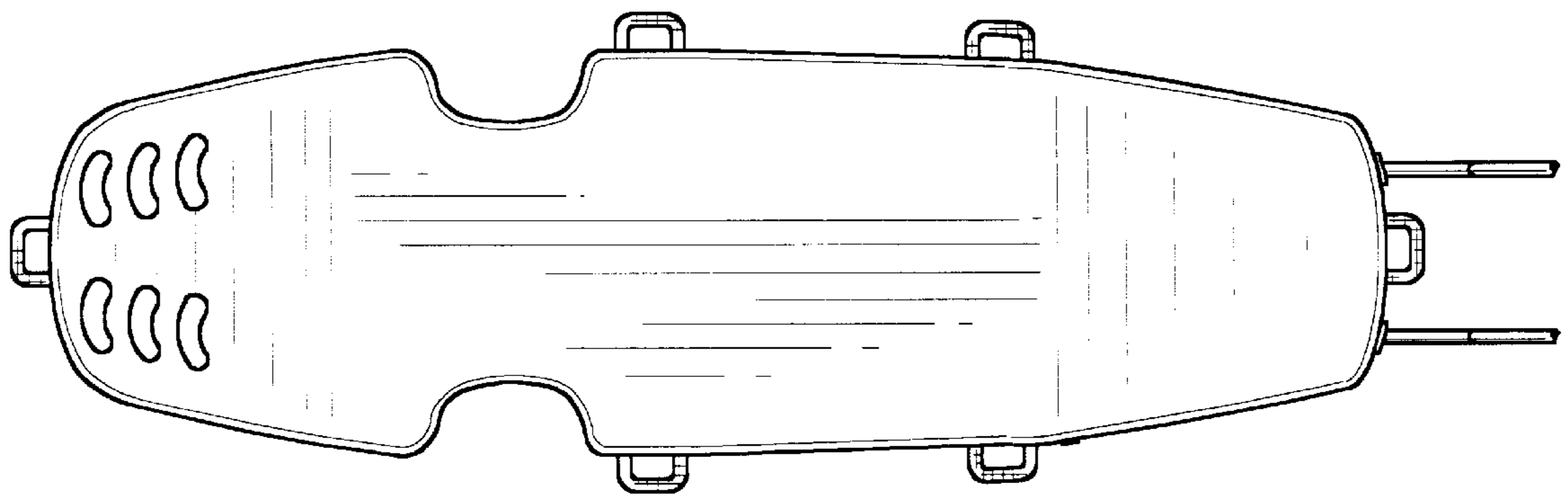
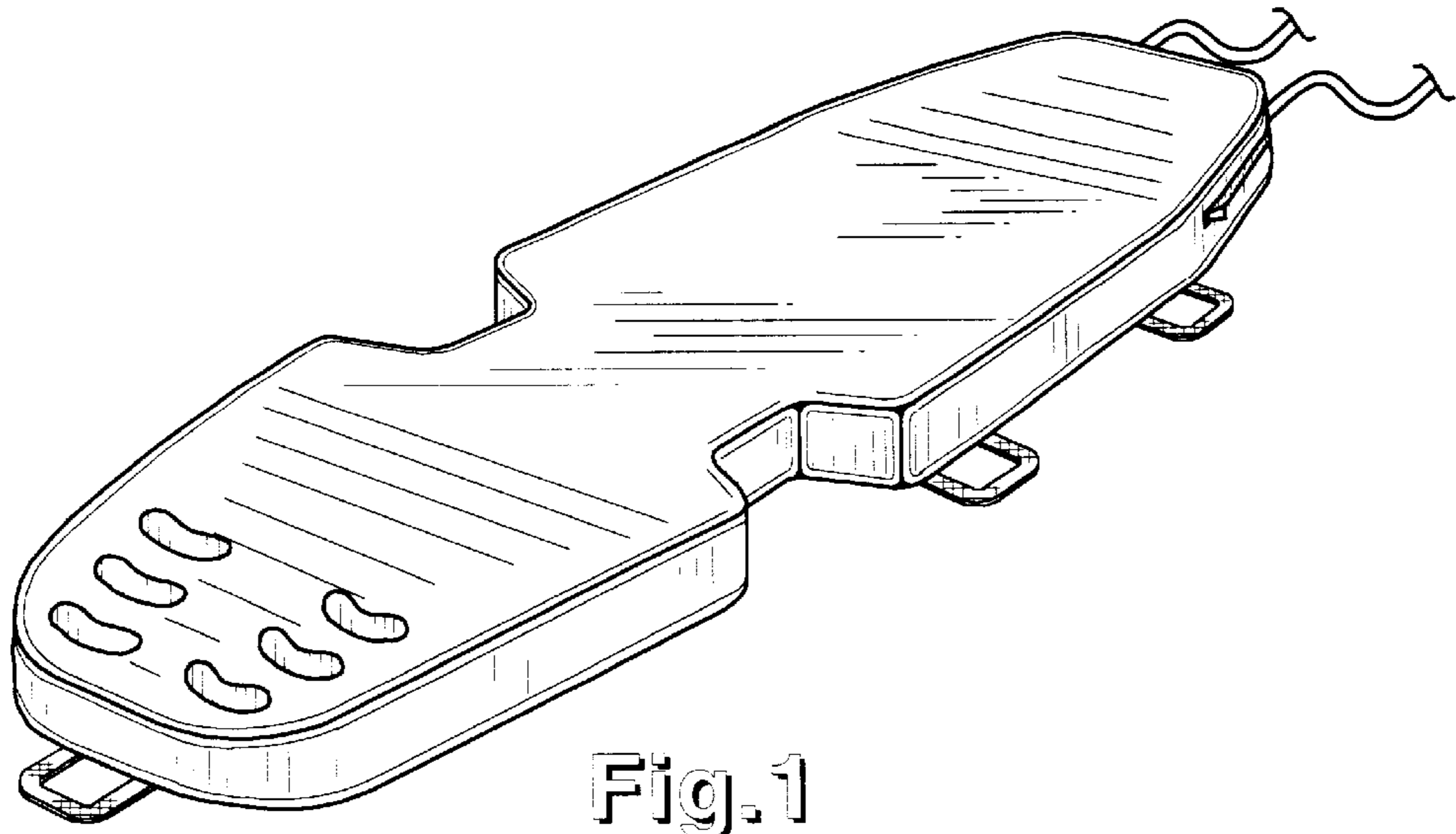


Fig. 3

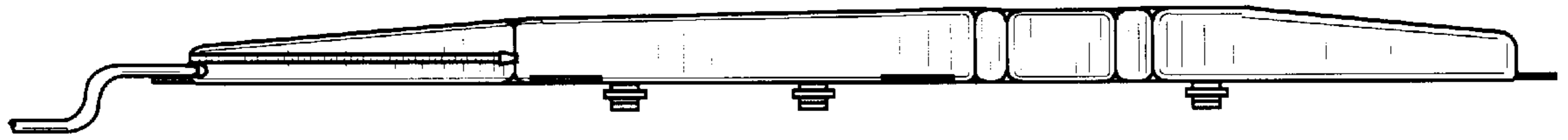


Fig. 4

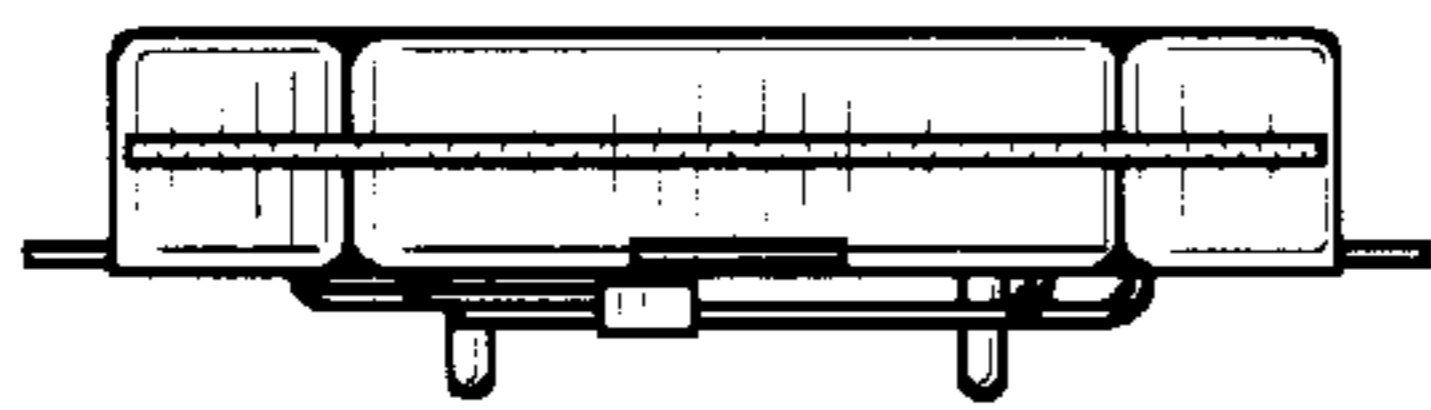


Fig. 5

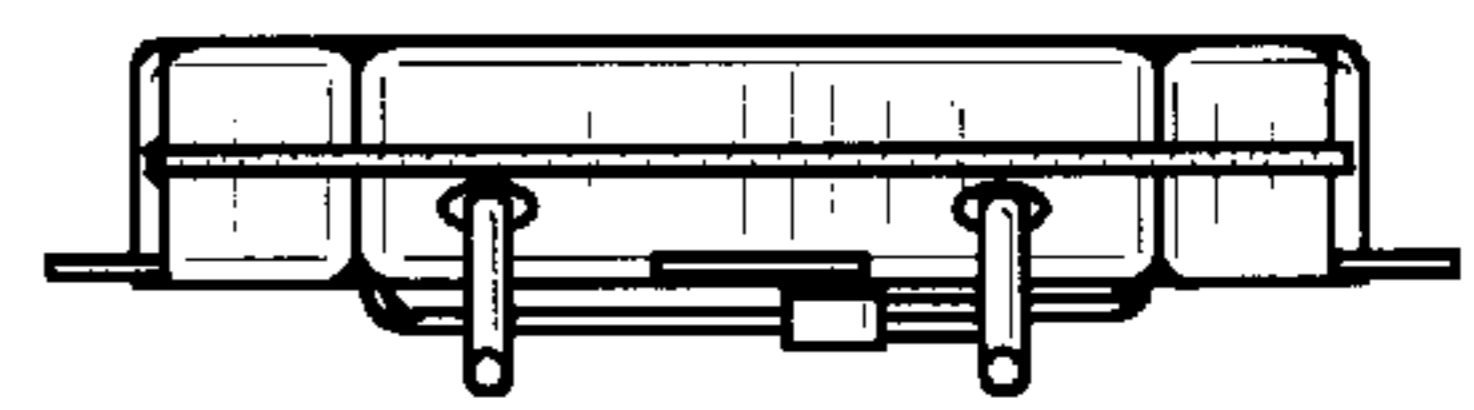


Fig. 6

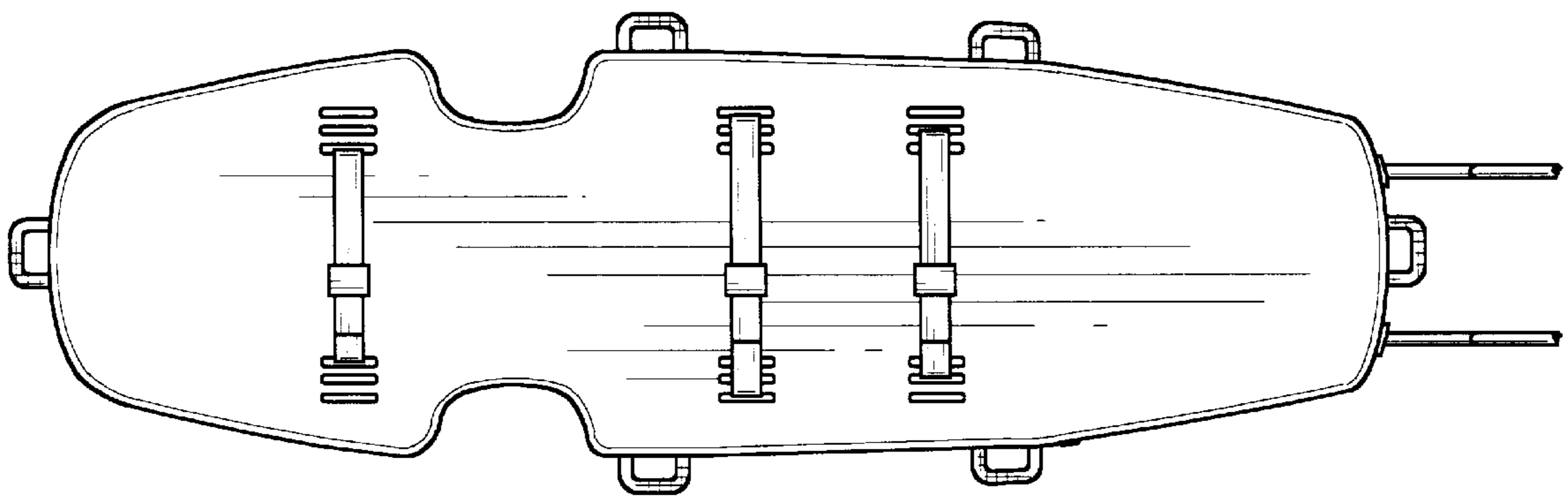


Fig. 7