



US00D436167S

(12) **United States Design Patent**
Ebert

(10) **Patent No.:** **US D436,167 S**

(45) **Date of Patent:** **** Jan. 9, 2001**

(54) **IV STAND WITH PIVOTABLE HANDLE**

4,892,279 * 1/1990 Lafferty et al. 248/125.8
5,458,305 * 10/1995 Woodward 248/121

(76) Inventor: **Fred W. Ebert**, 1250 Doblon St., Apt.
C., Green Bay, WI (US) 54302-1645

* cited by examiner

(**) Term: **14 Years**

Primary Examiner—Alan P. Douglas
Assistant Examiner—Reid Hecker

(21) Appl. No.: **29/102,947**

(57) **CLAIM**

(22) Filed: **Apr. 5, 1999**

The ornamental design for an IV stand with pivotable handle, as shown and described.

(51) **LOC (7) Cl.** **24-02**

(52) **U.S. Cl.** **D24/128**

(58) **Field of Search** D24/128; 248/125.8,
248/129, 145.6, 121; D6/411; 280/47.34,
47.36

DESCRIPTION

FIG. 1 is a front elevational view of the new and improved IV stand with pivotable handle constructed in accordance with the principles of the present invention.

FIG. 2 is a rear elevational view thereof.

FIG. 3 is a left side elevational view thereof.

FIG. 4 is a right side elevational view thereof.

FIG. 5 is a top elevational view thereof; and,

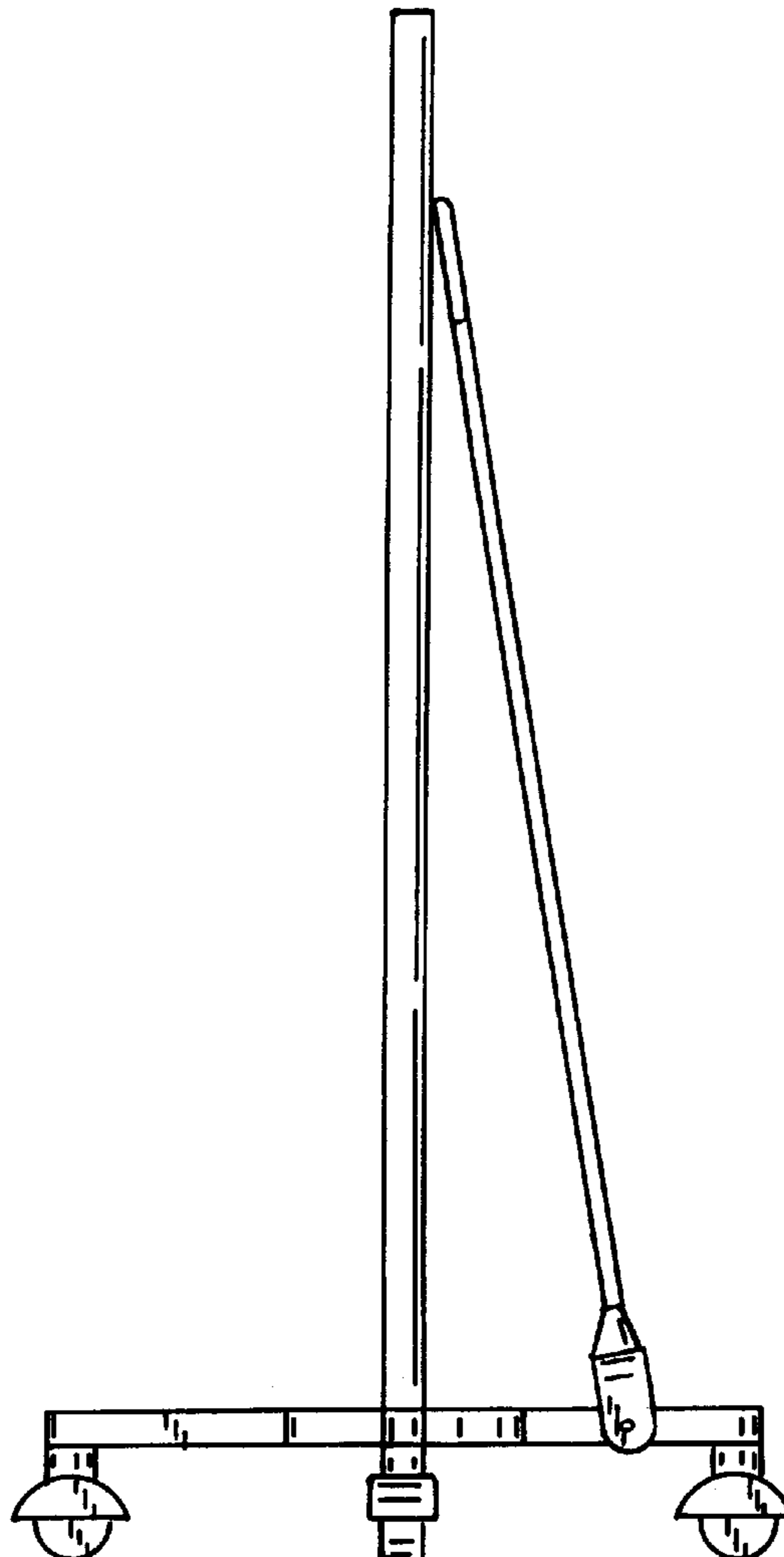
FIG. 6 is a bottom elevational view thereof.

(56) **References Cited**

U.S. PATENT DOCUMENTS

4,294,481 * 10/1981 Pearl 248/129
4,725,027 * 2/1988 Bekanich 248/125.8
4,744,536 * 5/1988 Bncalari 248/125.8
4,832,294 * 5/1989 Eidem 248/125.8

1 Claim, 3 Drawing Sheets



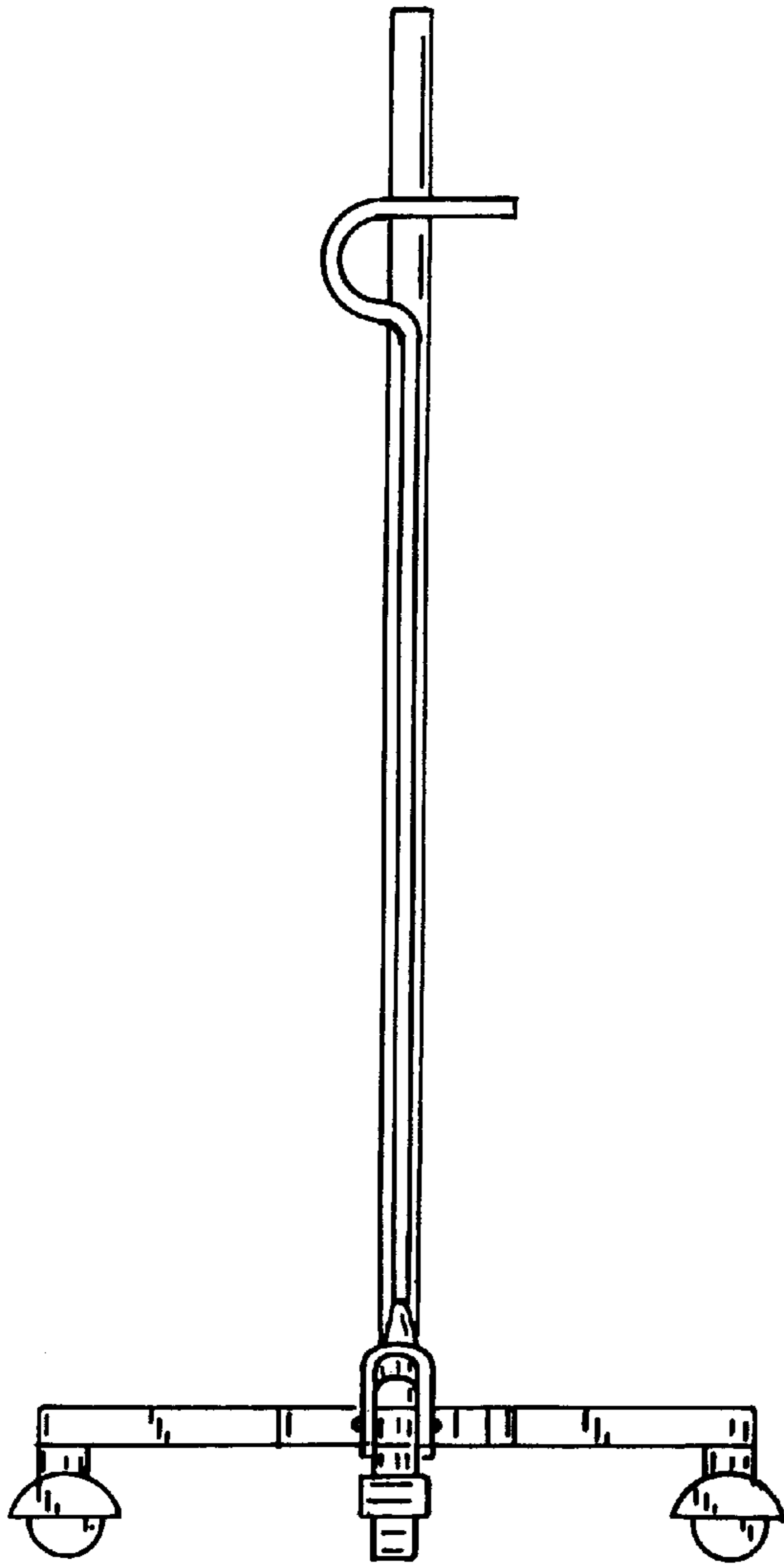


FIG 1

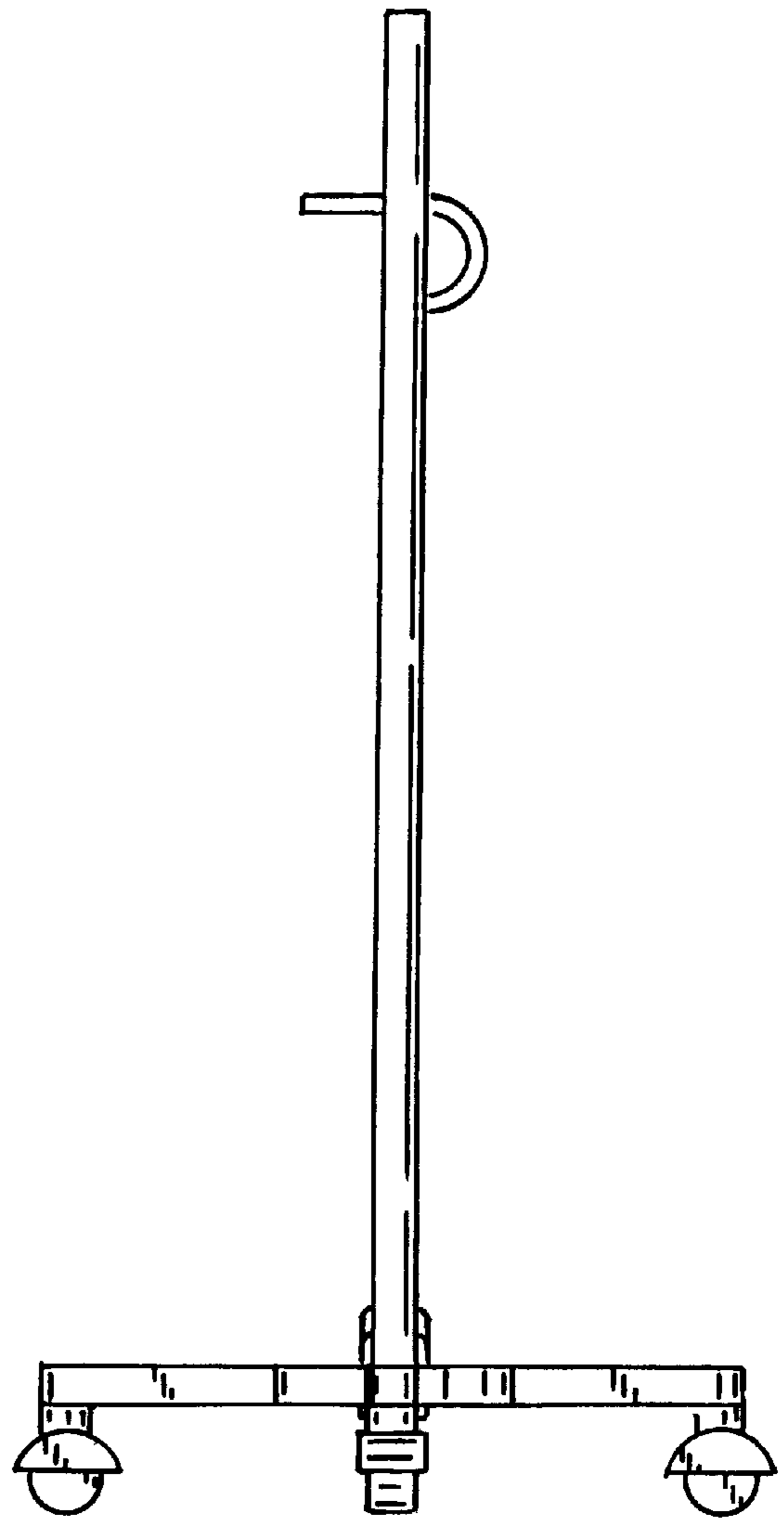


FIG 2

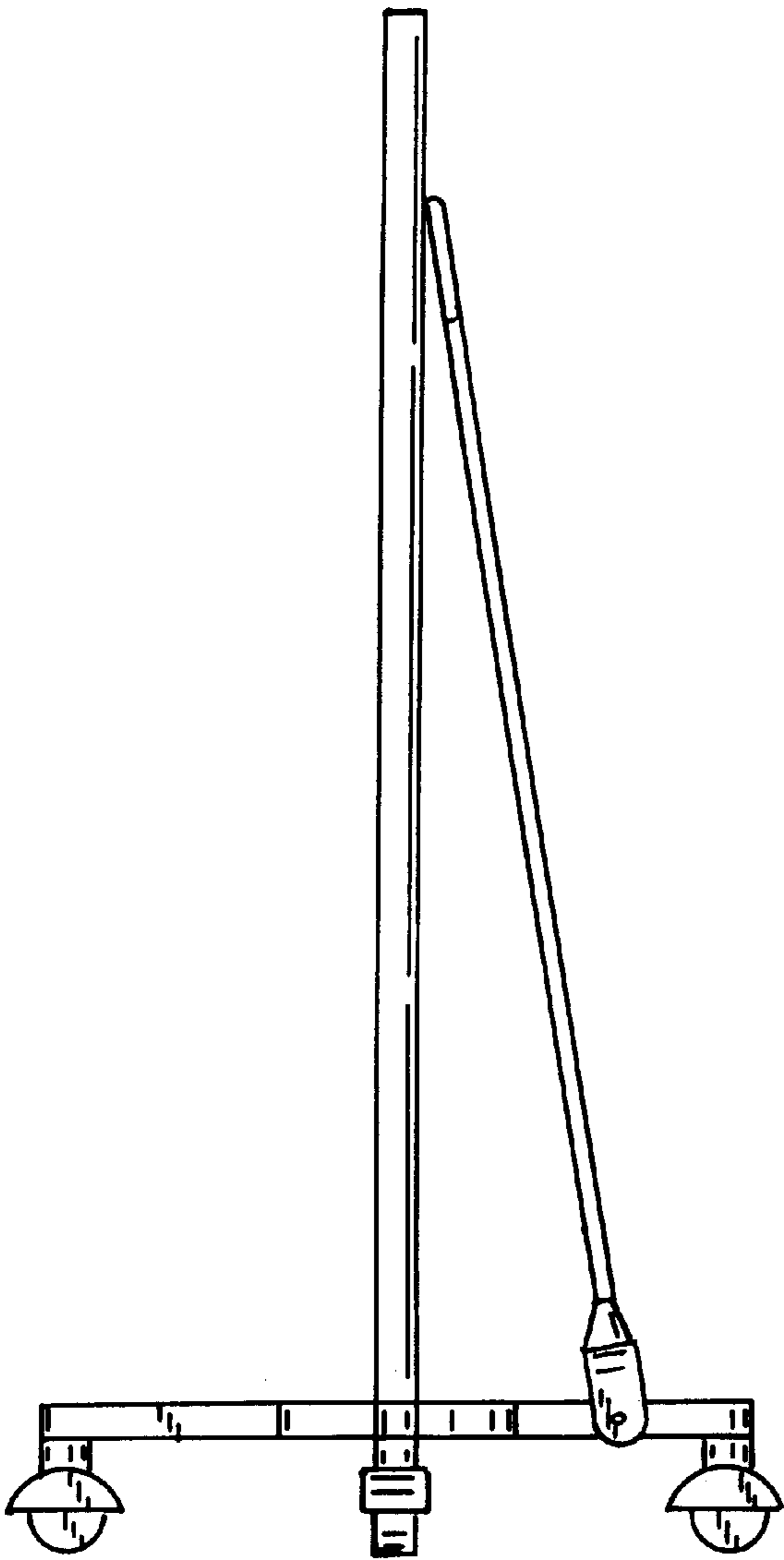


FIG 3

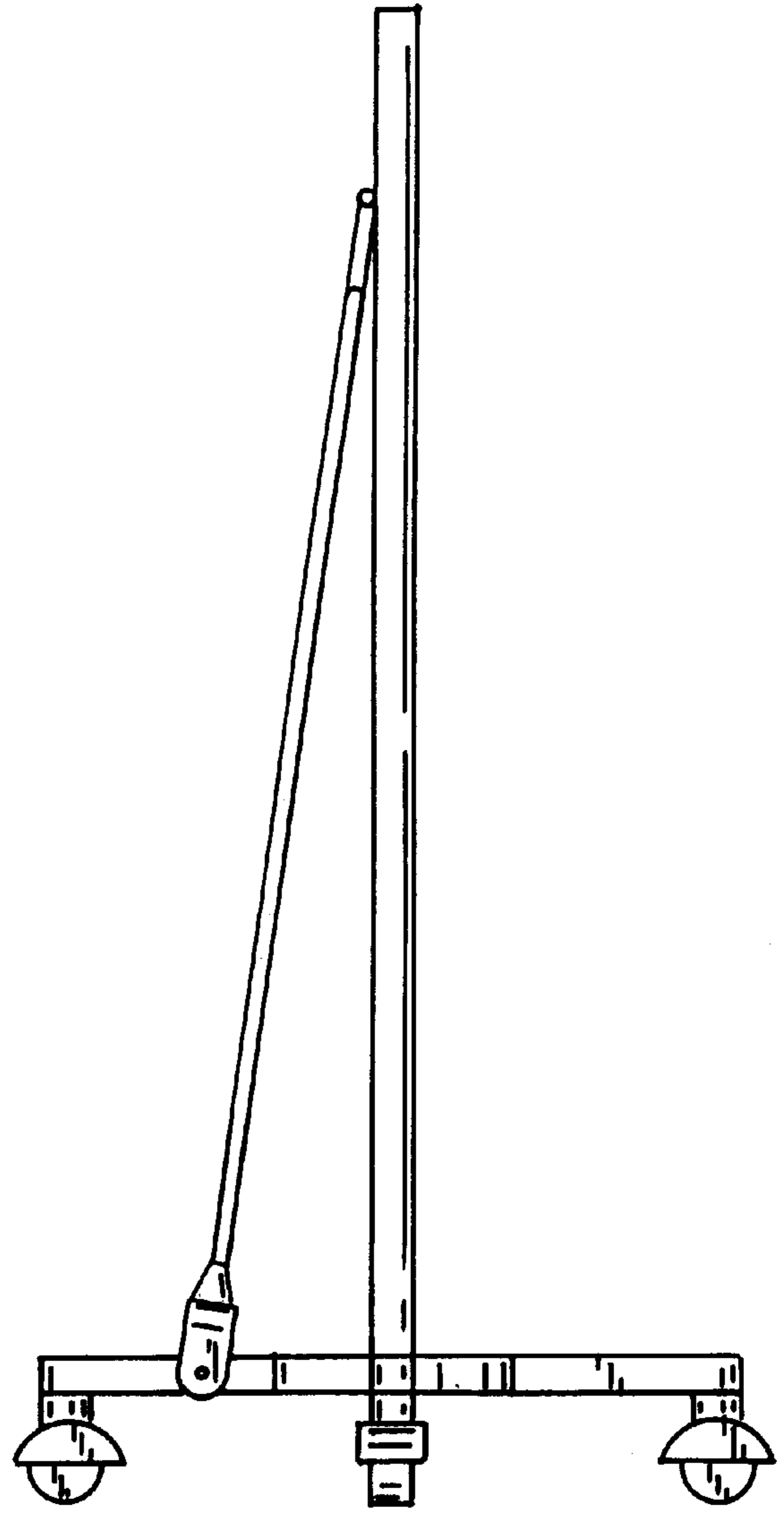


FIG 4

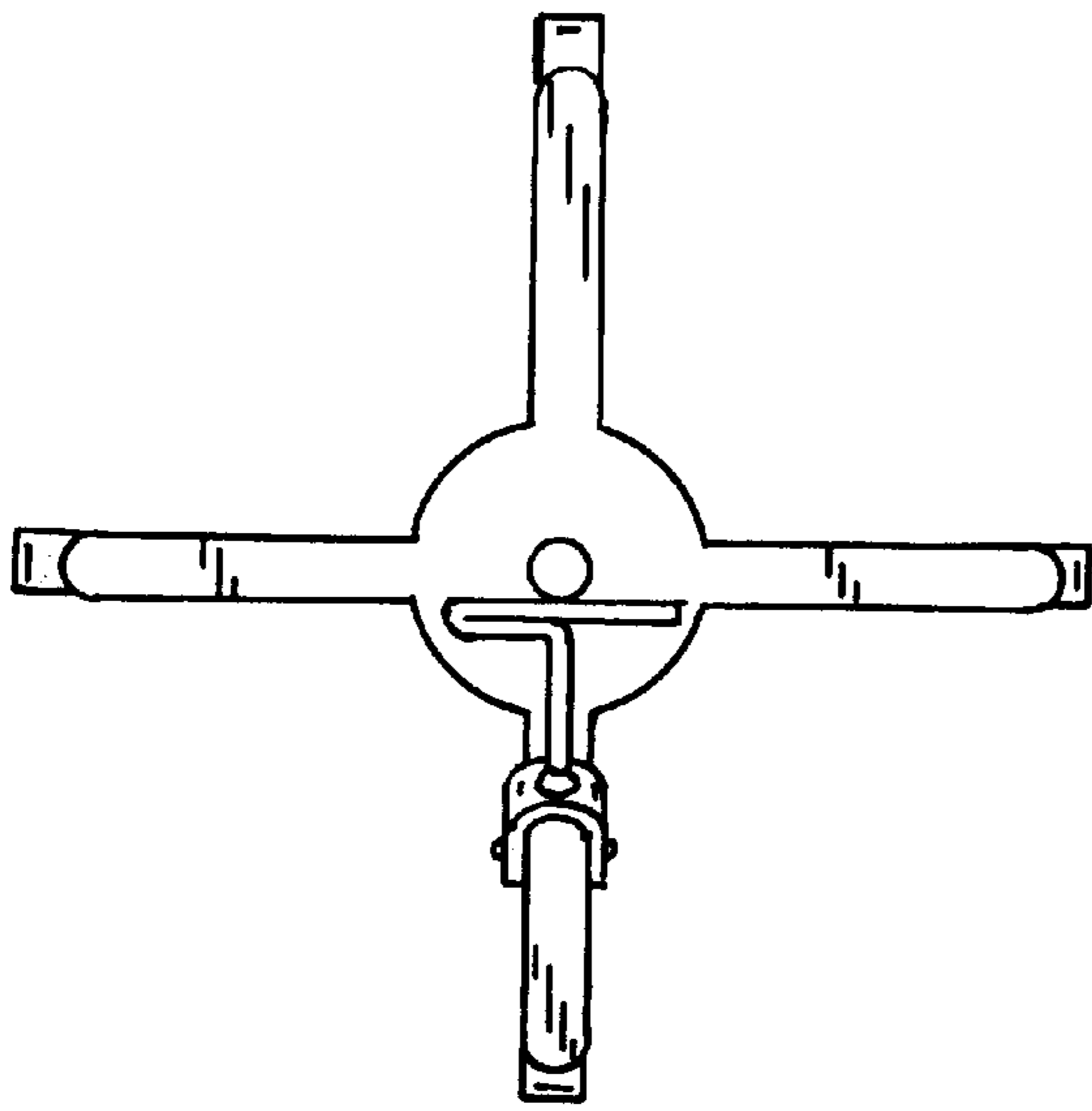


FIG 5

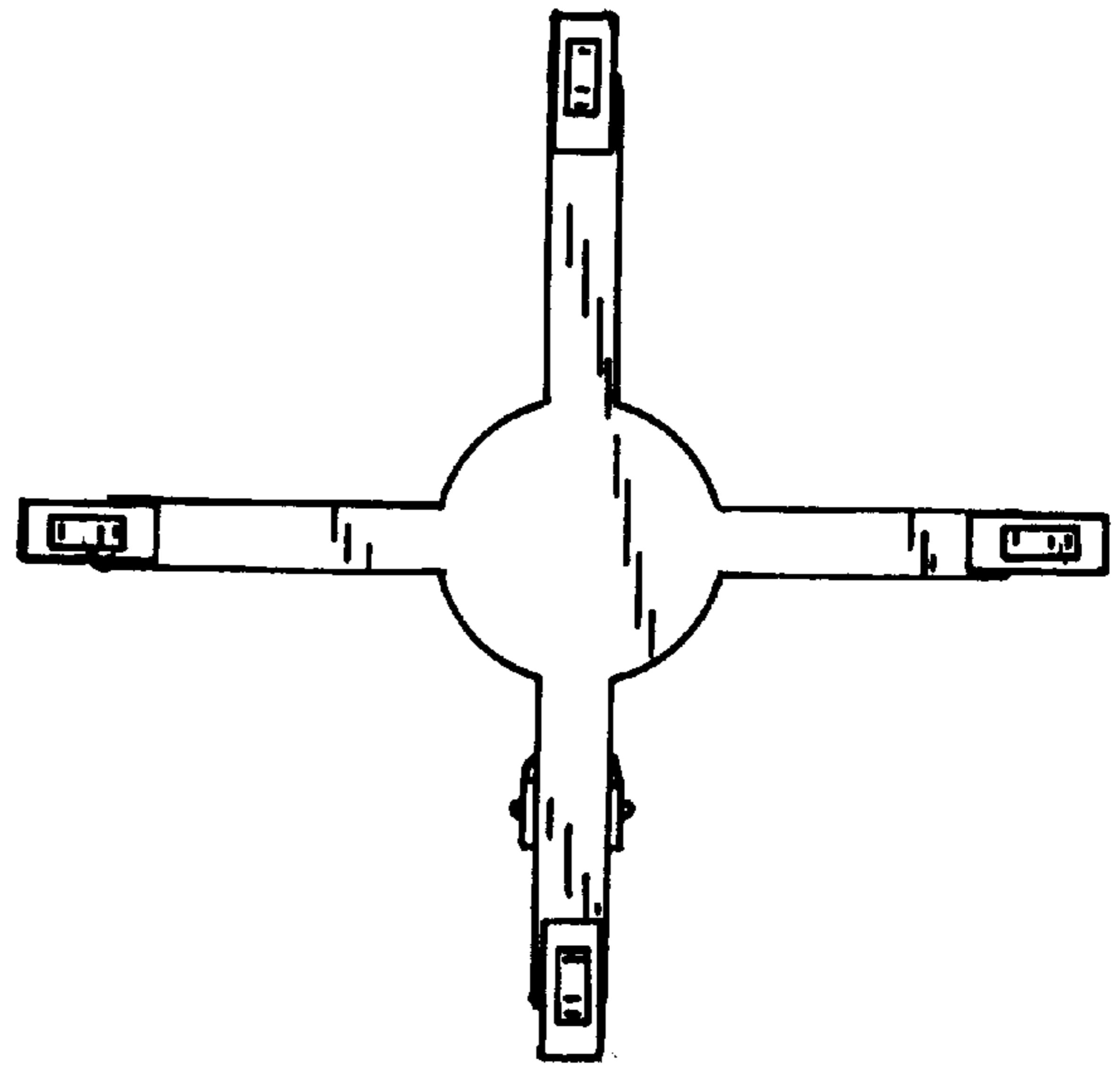


FIG 6