



US00D436166S

(12) **United States Design Patent**
Berkey

(10) **Patent No.:** **US D436,166 S**

(45) **Date of Patent:** **** Jan. 9, 2001**

(54) **FEMALE URINE SPECIMEN CUP**

(76) **Inventor:** **Sandy Berkey**, 426 Grandview Blvd.,
Bethlehem, PA (US) 18018-4519

(**) **Term:** **14 Years**

(21) **Appl. No.:** **29/105,501**

(22) **Filed:** **May 27, 1999**

(51) **LOC (7) Cl.** **24-04**

(52) **U.S. Cl.** **D24/122**

(58) **Field of Search** D24/216, 224,
D24/112, 122, 127, 132; D7/586, 587, 701,
703, 619, 629, 400, 700; D23/302, 303,
309; 229/930; 604/327, 329, 330, 331,
322, 349; 4/144.1, 144.2, 144.3, 144.4,
463, 312, 315, DIG. 5; 600/573, 574, 580

(56) **References Cited**

U.S. PATENT DOCUMENTS

- D. 376,201 * 12/1996 Norton D24/122
- D. 396,284 * 7/1998 Schaefer D24/122

- D. 409,747 * 5/1999 Aiken D24/122
- 4,741,346 * 5/1988 Wong et al. 600/573
- 4,761,379 * 8/1988 Williams et al. 600/573

* cited by examiner

Primary Examiner—Alan P. Douglas

Assistant Examiner—Reid Hecker

(74) *Attorney, Agent, or Firm*—Norman B. Rainer

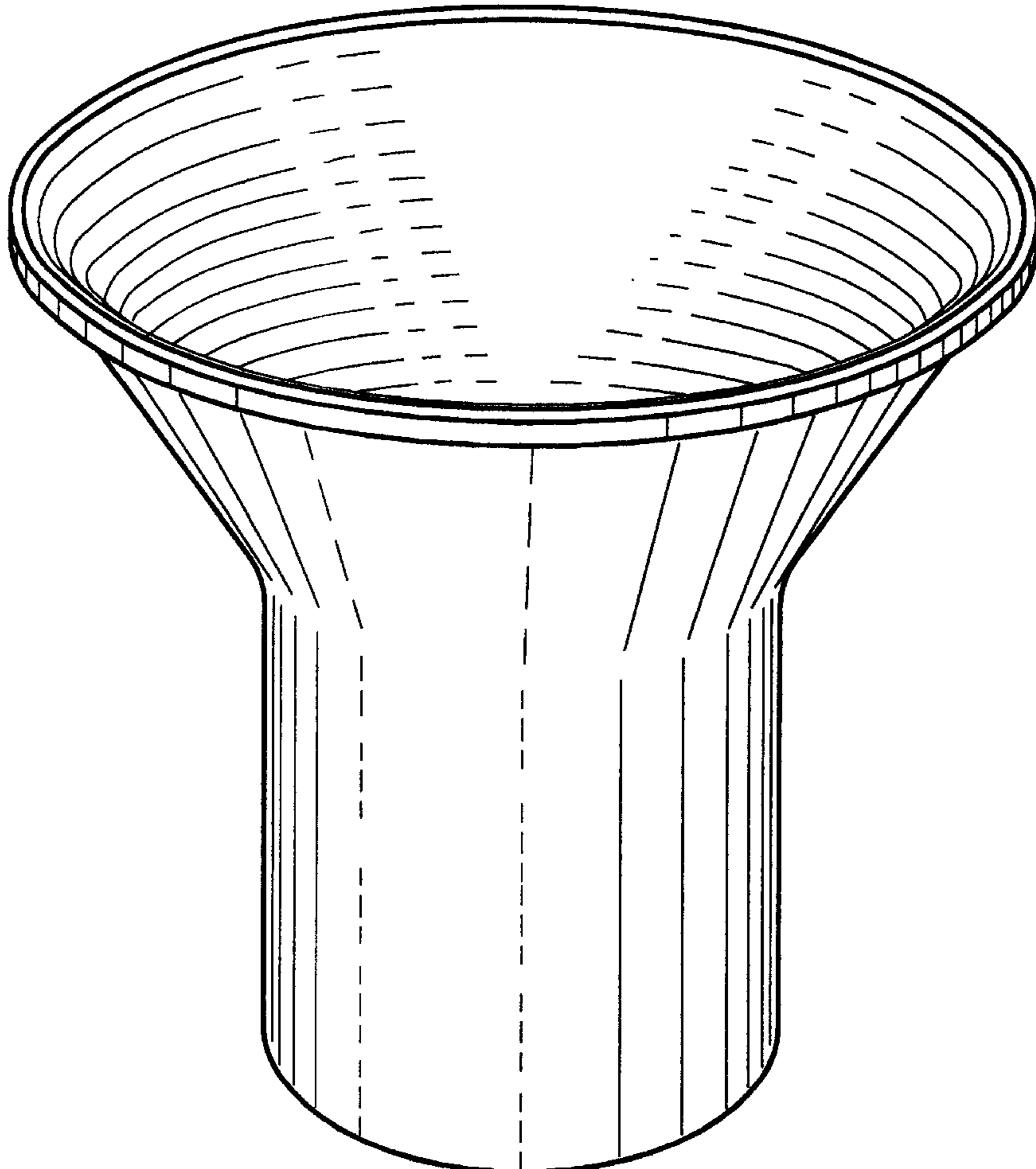
(57) **CLAIM**

The ornamental design for a female urine specimen cup, as shown and described.

DESCRIPTION

FIG. 1 is a top and front perspective view of a female urine specimen cup showing my new design;
 FIG. 2 is a front view thereof shown at a reduced scale, the unshown rear view being of identical appearance;
 FIG. 3 is a top plan view thereof shown at a reduced scale;
 FIG. 4 is an end view thereof shown at a reduced scale, the opposite end view being of identical appearance; and,
 FIG. 5 is a bottom view thereof shown at a reduced scale.

1 Claim, 2 Drawing Sheets



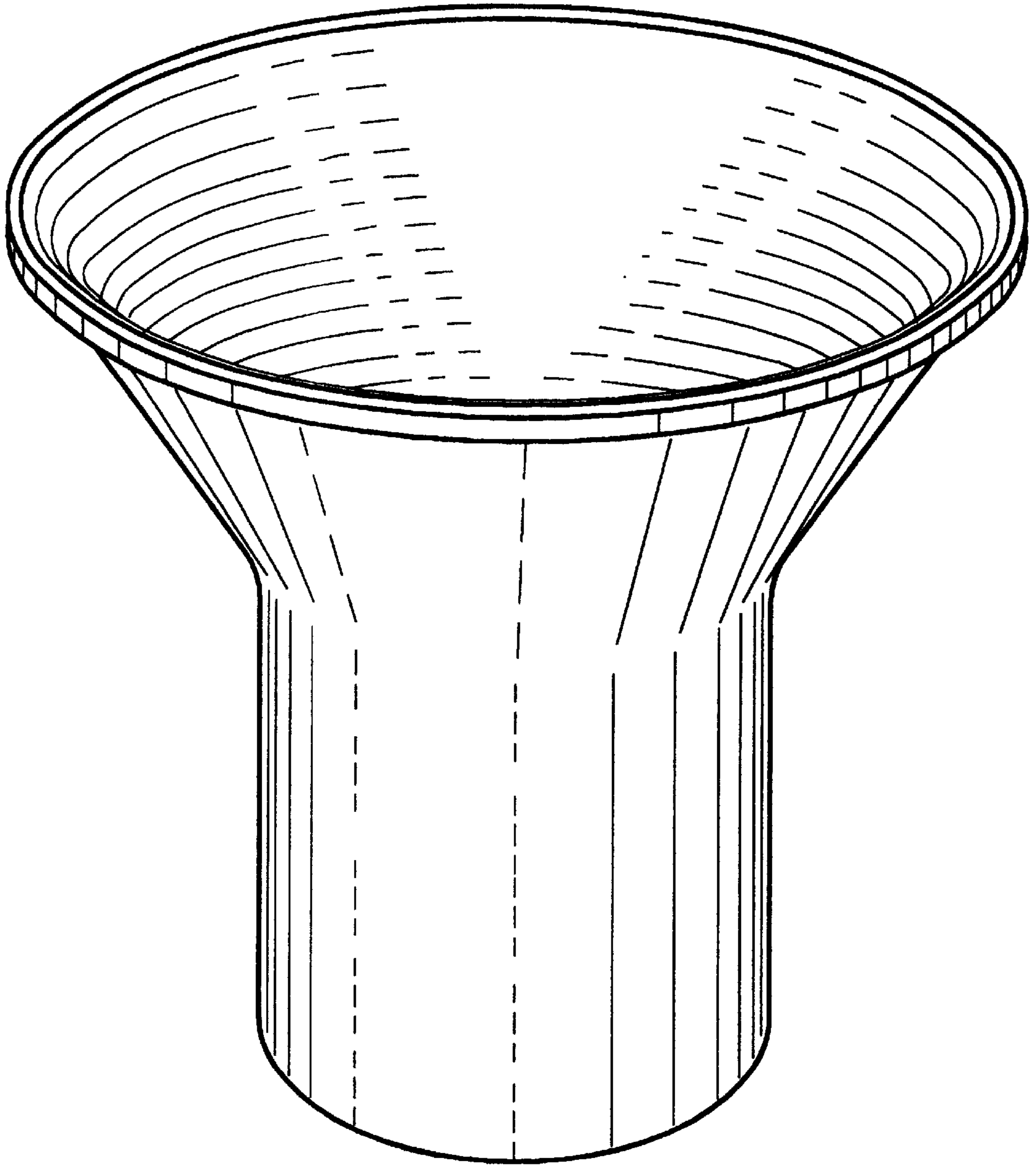


Fig. 1

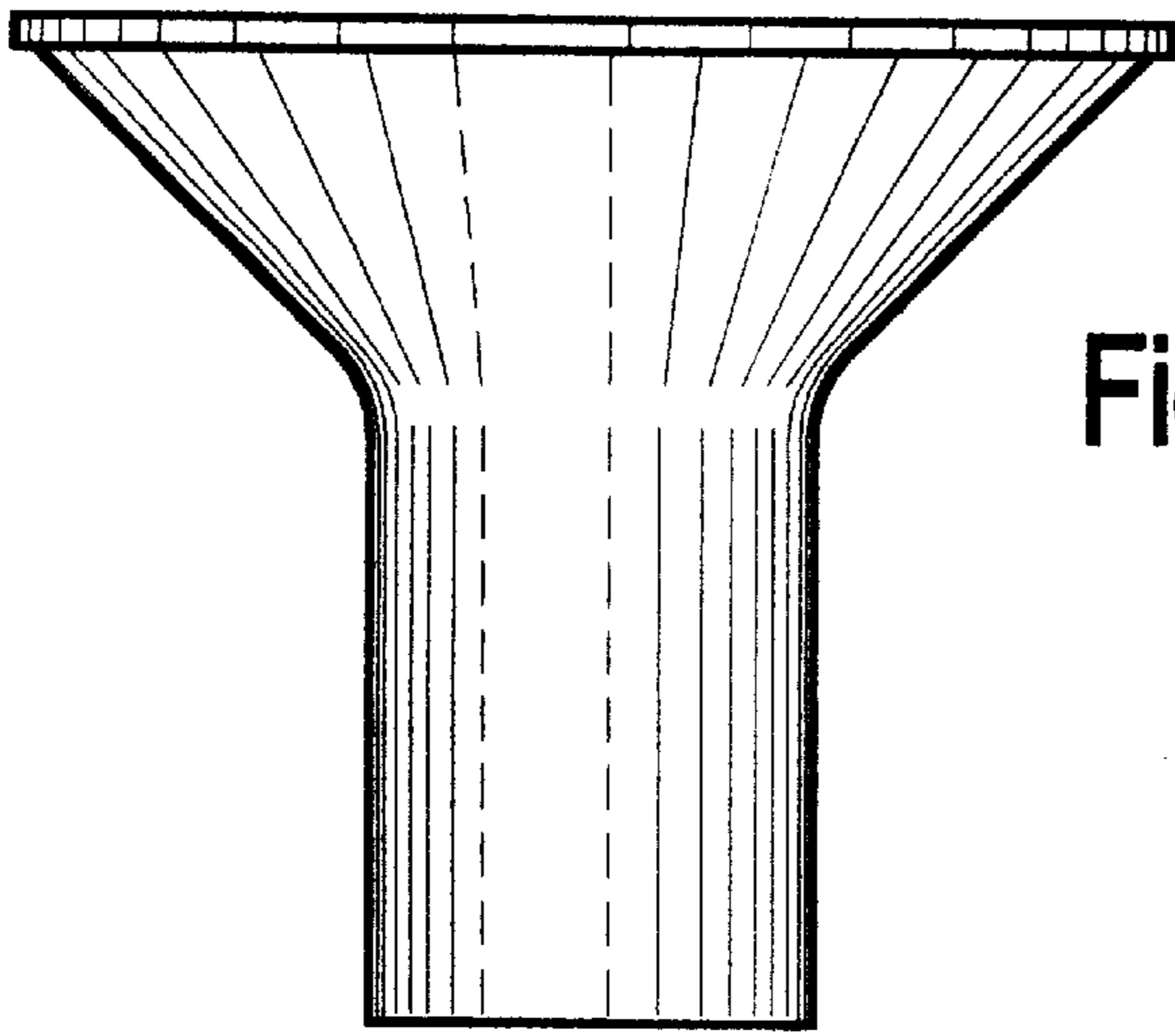


Fig.2

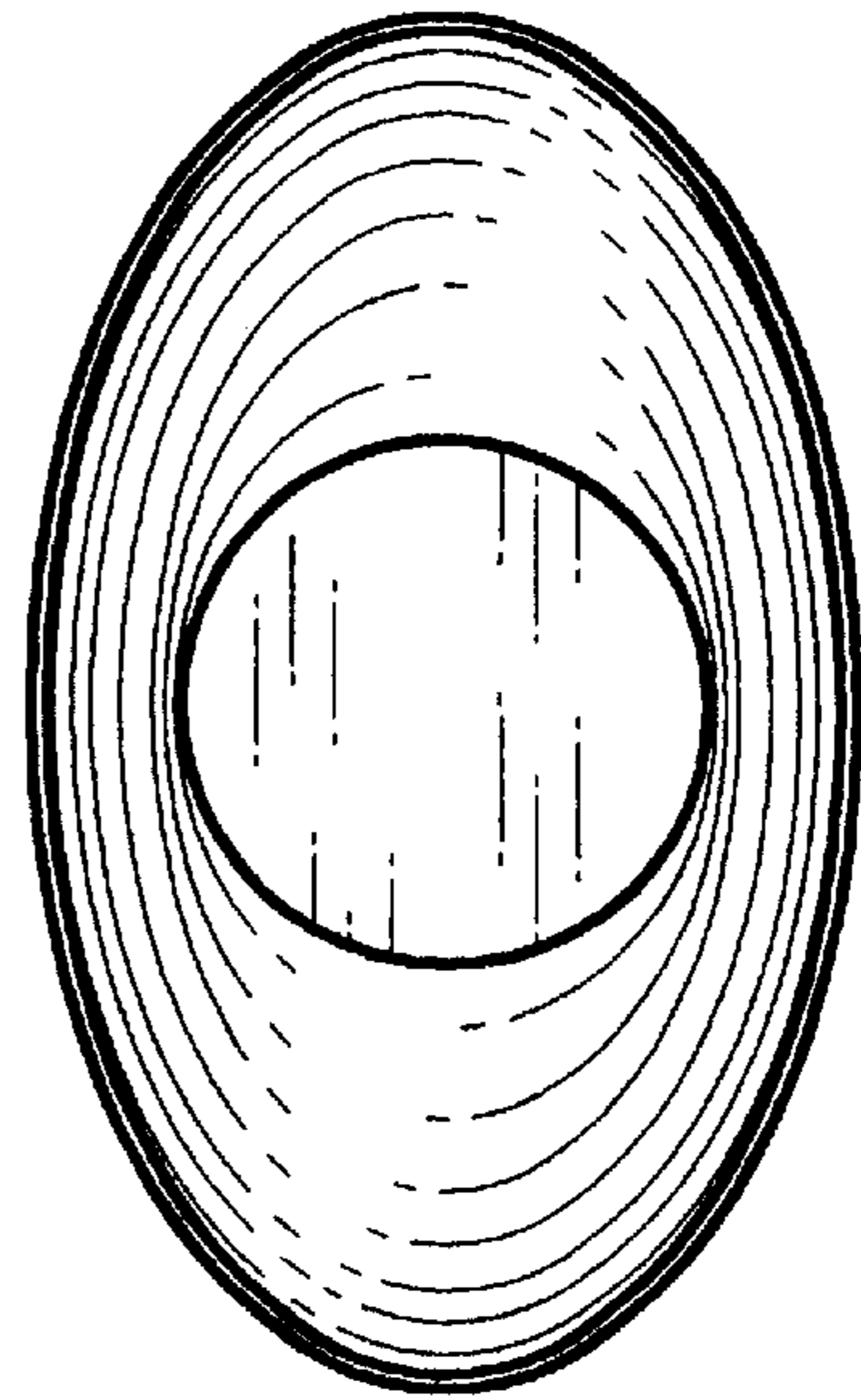


Fig.3

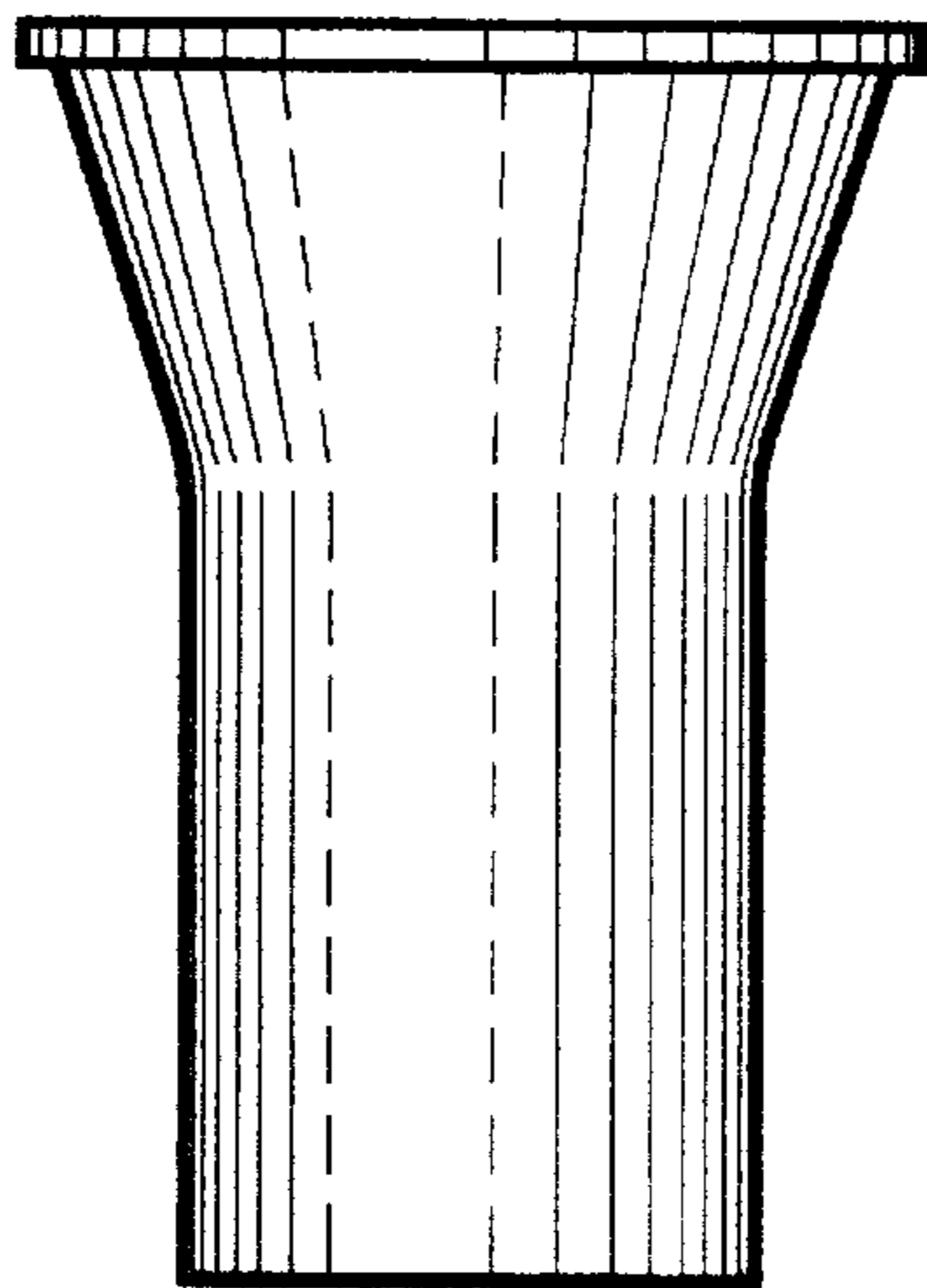


Fig.4

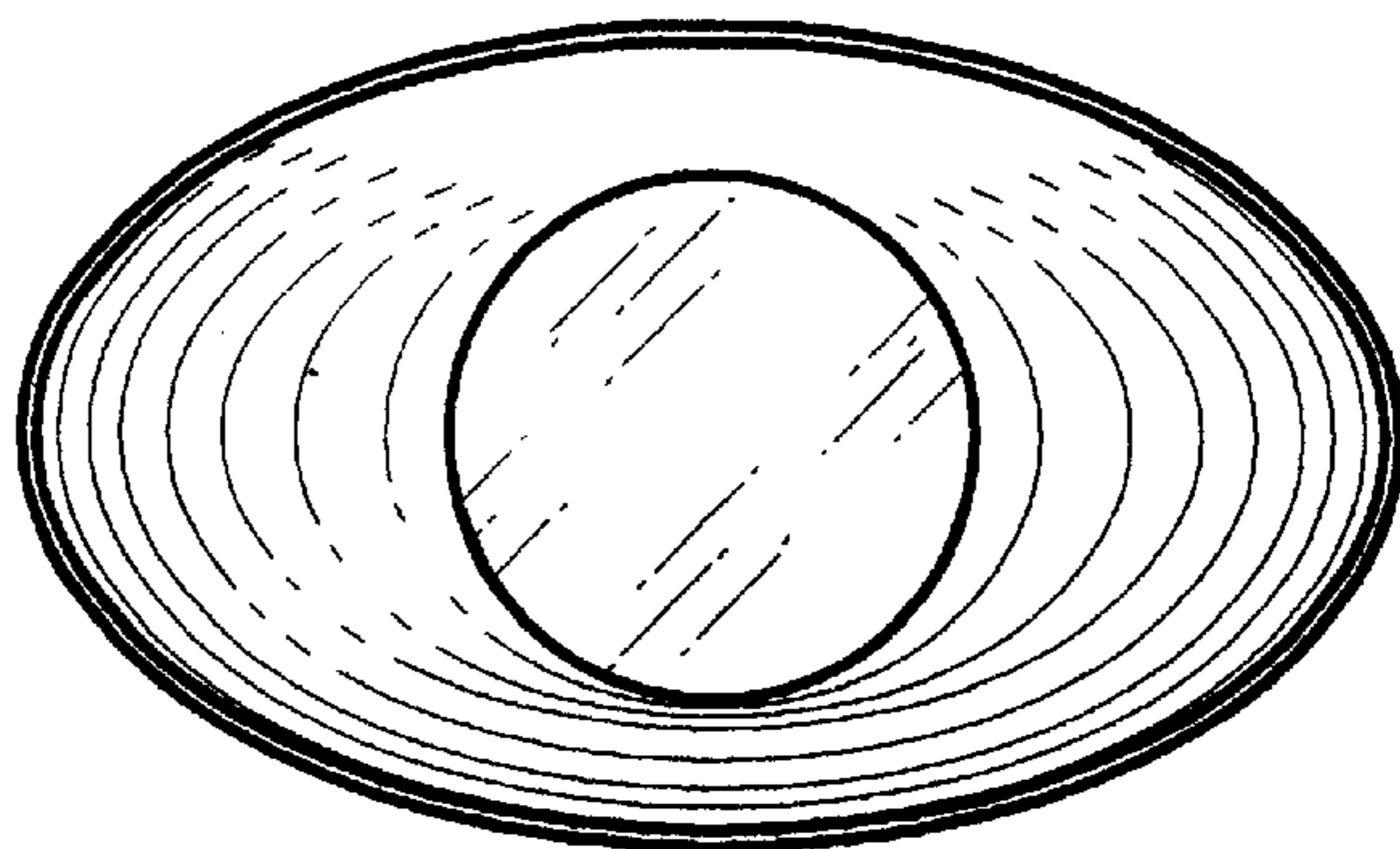


Fig.5