



US00D436165S

(12) **United States Design Patent**  
**Donaldson et al.**

(10) **Patent No.:** **US D436,165 S**

(45) **Date of Patent:** **\*\* Jan. 9, 2001**

(54) **MEDICAL SUCTION/LAVAGE HANDPIECE**

5,269,750 \* 12/1993 Grulke et al. .... 604/34  
6,117,150 \* 9/2000 Pingleton et al. .... 604/35

(75) Inventors: **Timothy A. Donaldson**, Massillon;  
**William J. Donizetti**, Dover; **Roger H. Ramsey**, Akron; **Larry A. Harvey**,  
New Philadelphia, all of OH (US)

\* cited by examiner

*Primary Examiner*—Alan P. Douglas

*Assistant Examiner*—Reid Hecker

(74) *Attorney, Agent, or Firm*—Cary R. Reeves

(73) Assignee: **Bristol-Myers Squibb Company**, New  
York, NY (US)

(57) **CLAIM**

(\*\*) Term: **14 Years**

The ornamental design for a medical suction/lavage hand-  
piece, as shown and described.

(21) Appl. No.: **29/118,627**

**DESCRIPTION**

(22) Filed: **Feb. 11, 2000**

(51) **LOC (7) Cl.** ..... **24-02**

(52) **U.S. Cl.** ..... **D24/113**

(58) **Field of Search** ..... D24/108, 111,  
D24/112, 113, 133, 144; D8/107; 16/430;  
606/1; 251/149.1; 604/19, 27, 34, 35, 43,  
45, 275, 250, 902; 433/28, 29, 82

FIG. 1 is a perspective view of a medical suction/lavage  
handpiece showing my new design;

FIG. 2 is a side elevational view thereof, the opposite side  
being identical;

FIG. 3 is a top elevational view thereof;

FIG. 4 is a bottom elevational view thereof;

FIG. 5 is a rear elevational view thereof; and,

FIG. 6 is a front elevational view thereof.

The broken line showing of the cables and tube exiting the  
medical suction/lavage handpiece is for illustrative purposes  
only and forms no part of the claimed design.

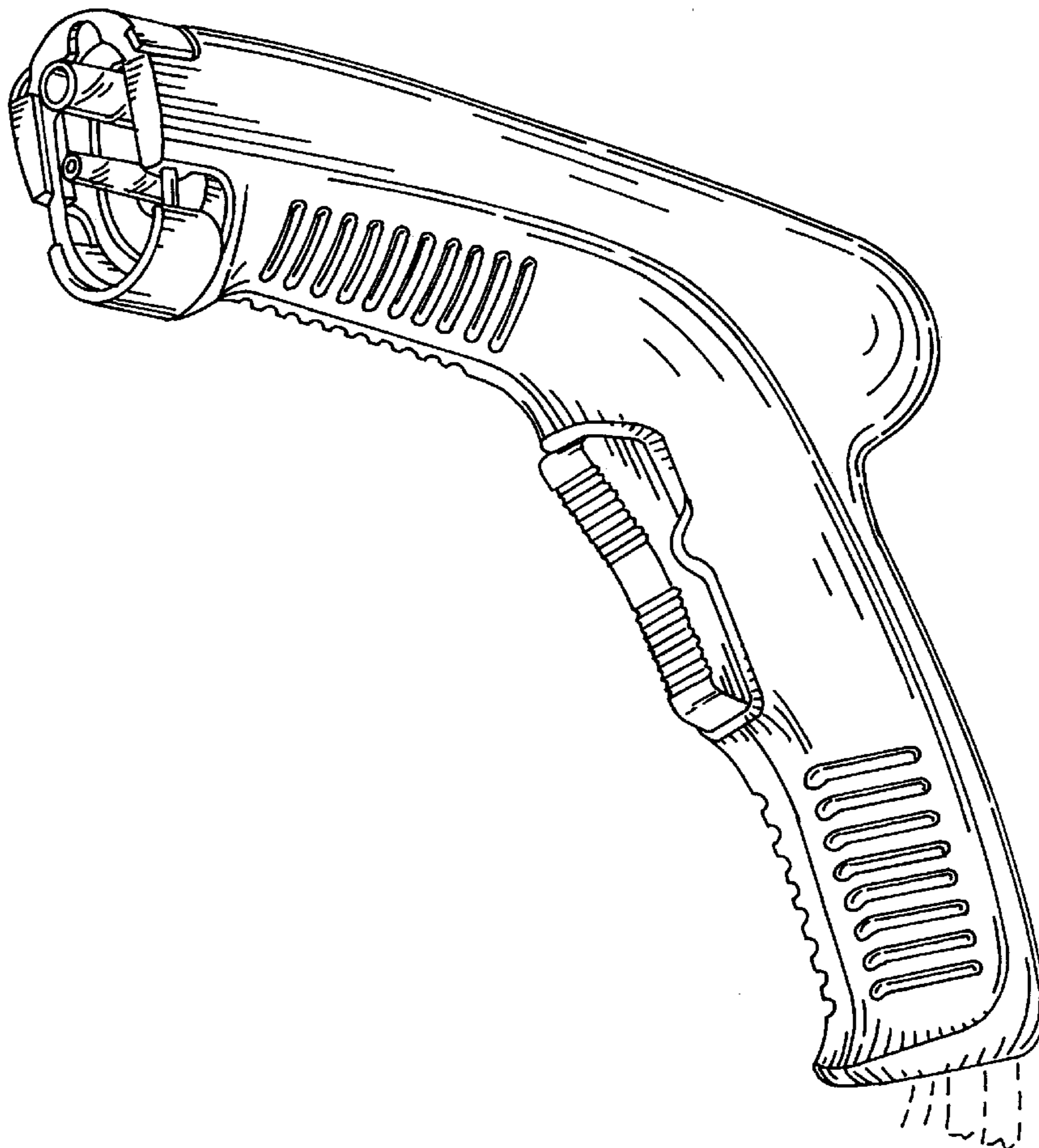
(56) **References Cited**

**U.S. PATENT DOCUMENTS**

3,433,227 \* 3/1969 Kettenbach ..... 604/43

4,400,168 \* 8/1983 Buechel et al. .... D24/112

**1 Claim, 4 Drawing Sheets**



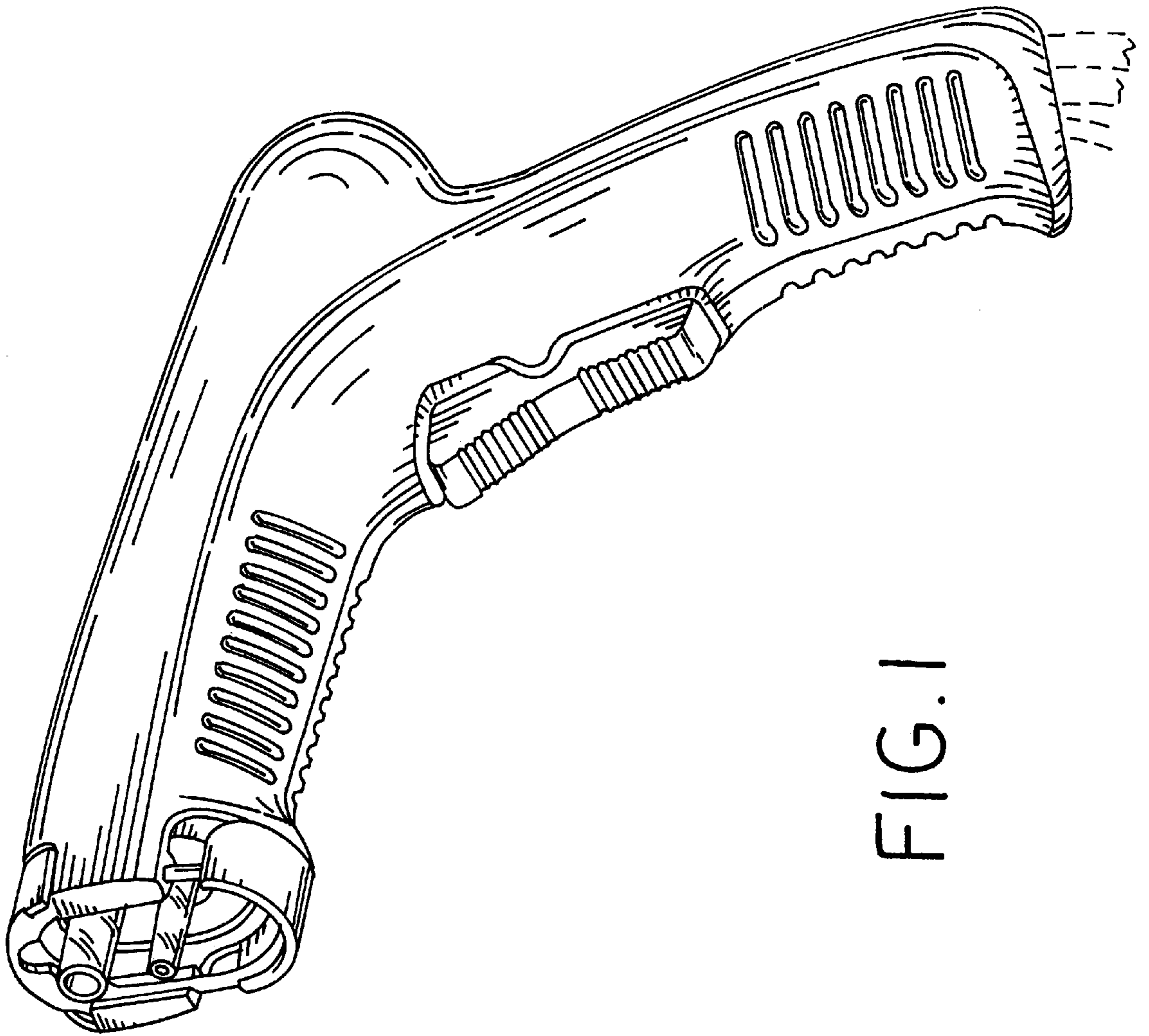


FIG. 1

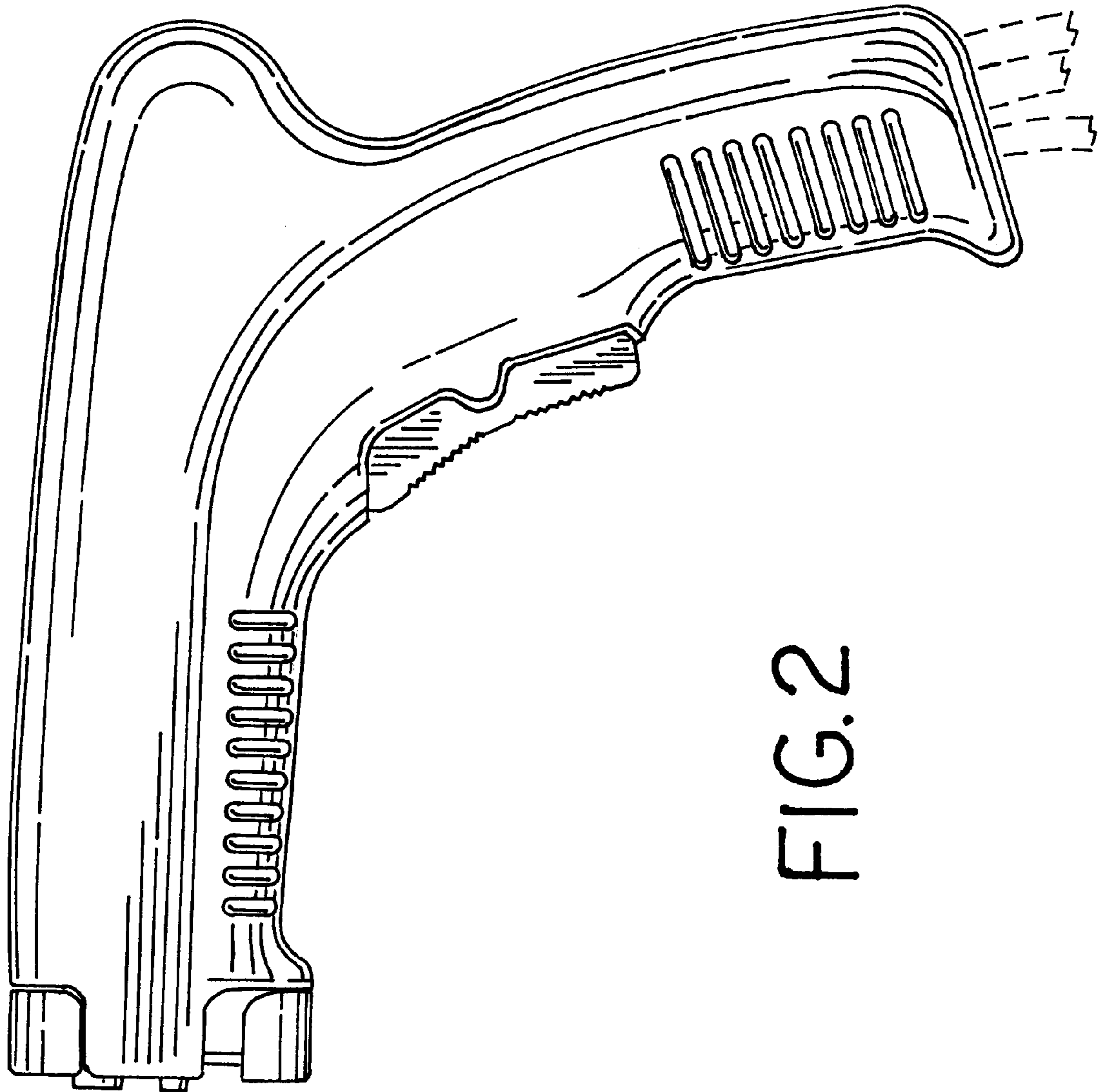


FIG. 2

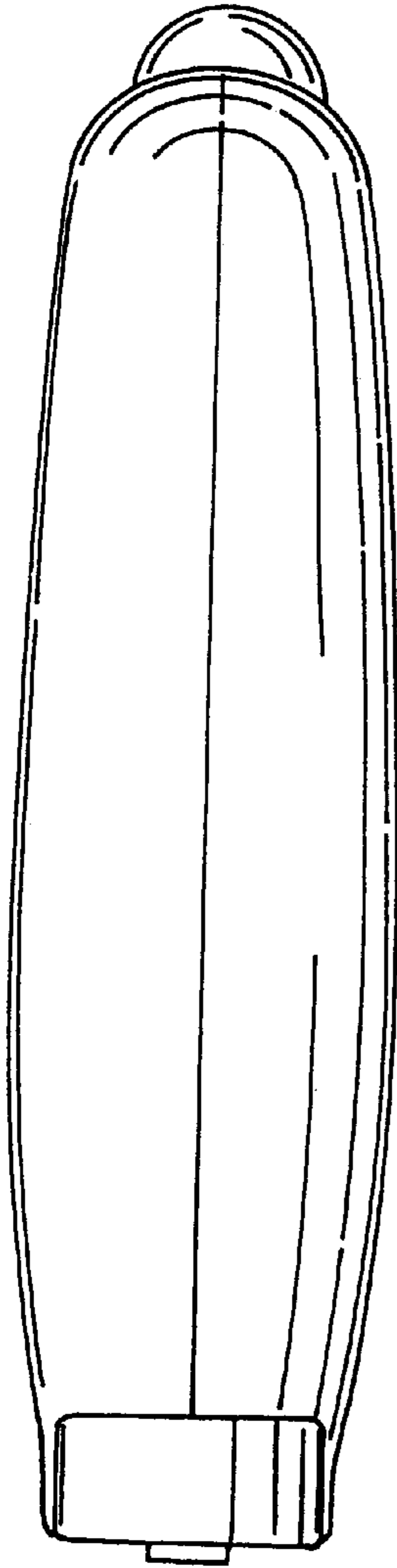


FIG. 3

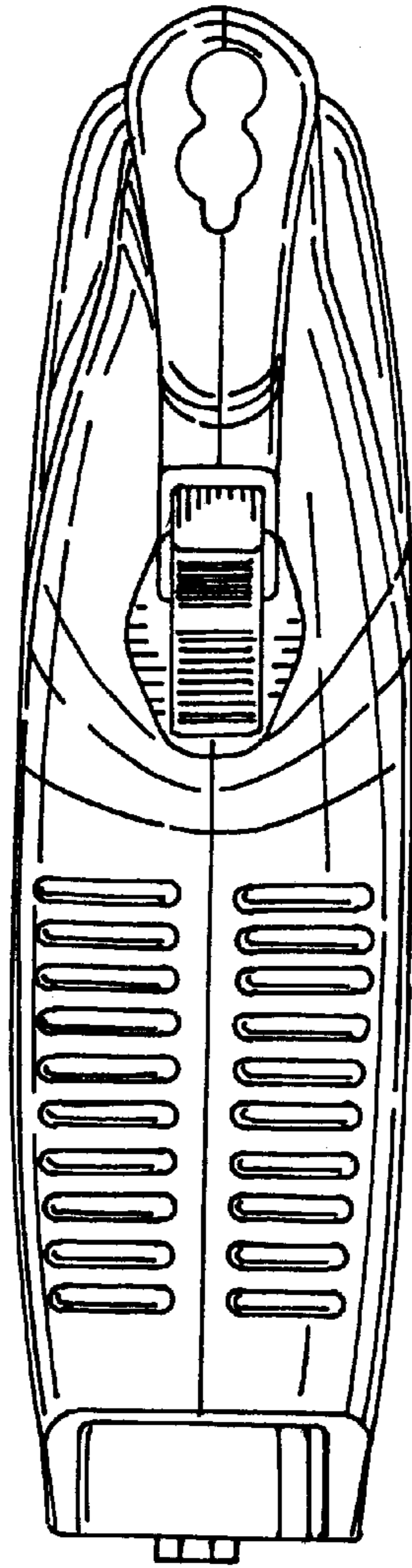


FIG. 4

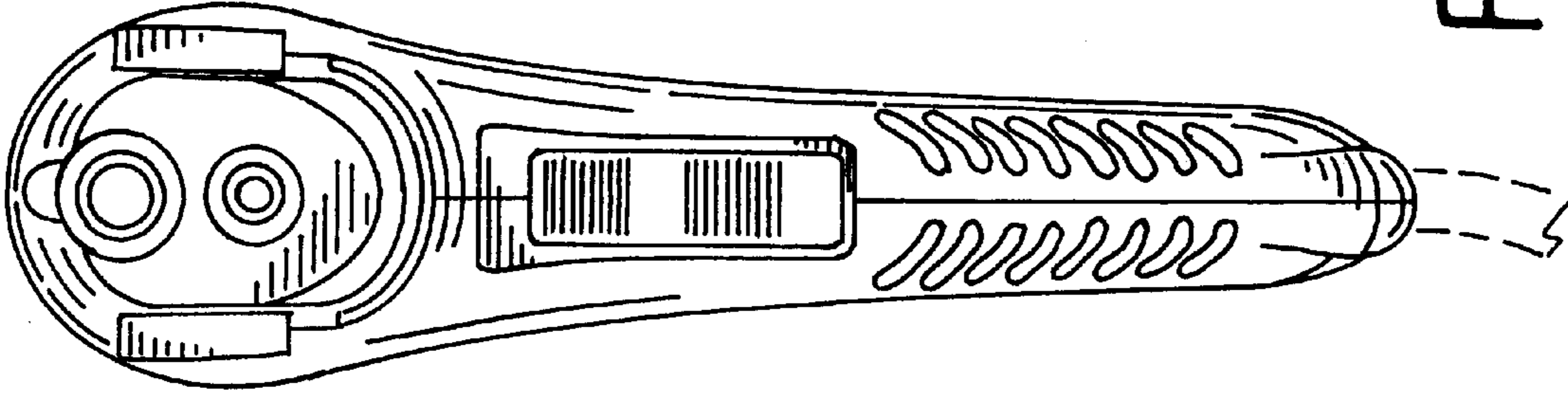


FIG. 6

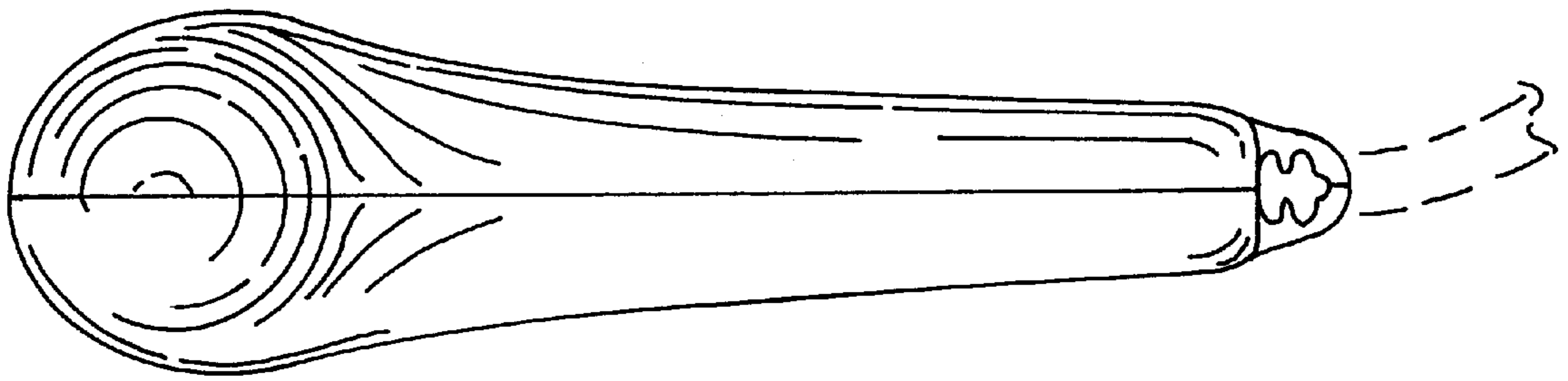


FIG. 5