



US00D436160S

(12) **United States Design Patent**  
**Leonard et al.**

(10) **Patent No.:** **US D436,160 S**  
(45) **Date of Patent:** **\*\* Jan. 9, 2001**

(54) **DISPENSER HOUSING** 5,186,912 2/1993 Steindorf et al. .... 422/263

(75) Inventors: **Stephen B. Leonard**, Caledonia, WI (US); **Dale Aberegg**, Morris, OH (US); **Cathal L. Fahy**, Columbus, OH (US); **Greg S. Breiding**, Columbus, OH (US); **Jack W. Plessinger**, Columbus, OH (US)

**FOREIGN PATENT DOCUMENTS**

89 02 509 10/1989 (DE) .  
0 538 937 4/1993 (EP) .  
0 785 315 7/1997 (EP) .  
WO 99/66139 12/1999 (WO) .  
WO 99/66140 12/1999 (WO) .

(73) Assignee: **S. C. Johnson & Son, Inc.**, Racine, WI (US)

*Primary Examiner*—Lisa Lichtenstein

(\*\*) Term: **14 Years**

(57) **CLAIM**

The ornamental design for a dispenser housing, as shown and described.

(21) Appl. No.: **29/115,409**

**DESCRIPTION**

(22) Filed: **Dec. 14, 1999**

In a preferred embodiment, the nature of this product is as a liquid dispensing device for dispensing liquids from the rim of a toilet.

(51) **LOC (7) Cl.** ..... **23-04**

(52) **U.S. Cl.** ..... **D23/368**

(58) **Field of Search** ..... D23/566-8, 369, D23/209, 231, 143

FIG. 1 is a perspective view of a dispenser housing embodying our new design;

FIG. 2 is a front, elevational view thereof;

FIG. 3 is a right side elevational view thereof, the left side being the mirror image thereof;

FIG. 4 is a bottom view thereof;

FIG. 5 is a rear view thereof; and,

FIG. 6 is a top view thereof.

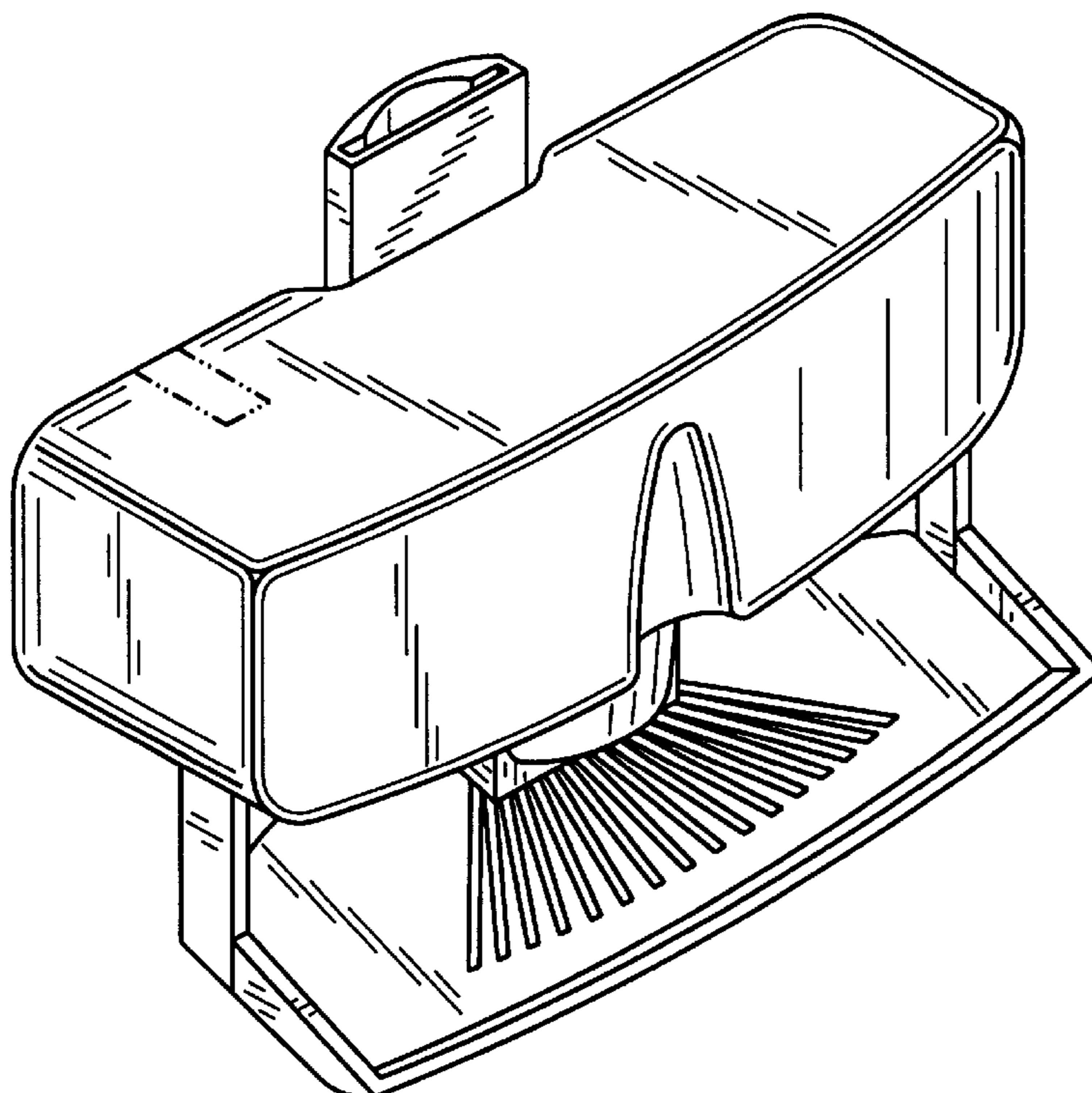
The broken line showing of environmental structure in FIGS. 5 and 6 is for illustrative purposes only and forms no part of the claimed design.

(56) **References Cited**

**U.S. PATENT DOCUMENTS**

Re. 32,017	11/1985	Hautmann et al. ....	4/231
D. 424,185	5/2000	Brown et al. ....	D23/368
3,806,965	4/1974	Lerner .....	141/156
4,096,593	6/1978	Vlahakis .....	4/231
4,261,957	4/1981	Schimanski .....	422/263
4,301,556	11/1981	Schimanski .....	4/231
4,555,819	12/1985	Weiss et al. ....	4/223
4,777,670	10/1988	Klinkhammer et al. ....	4/231

**1 Claim, 2 Drawing Sheets**



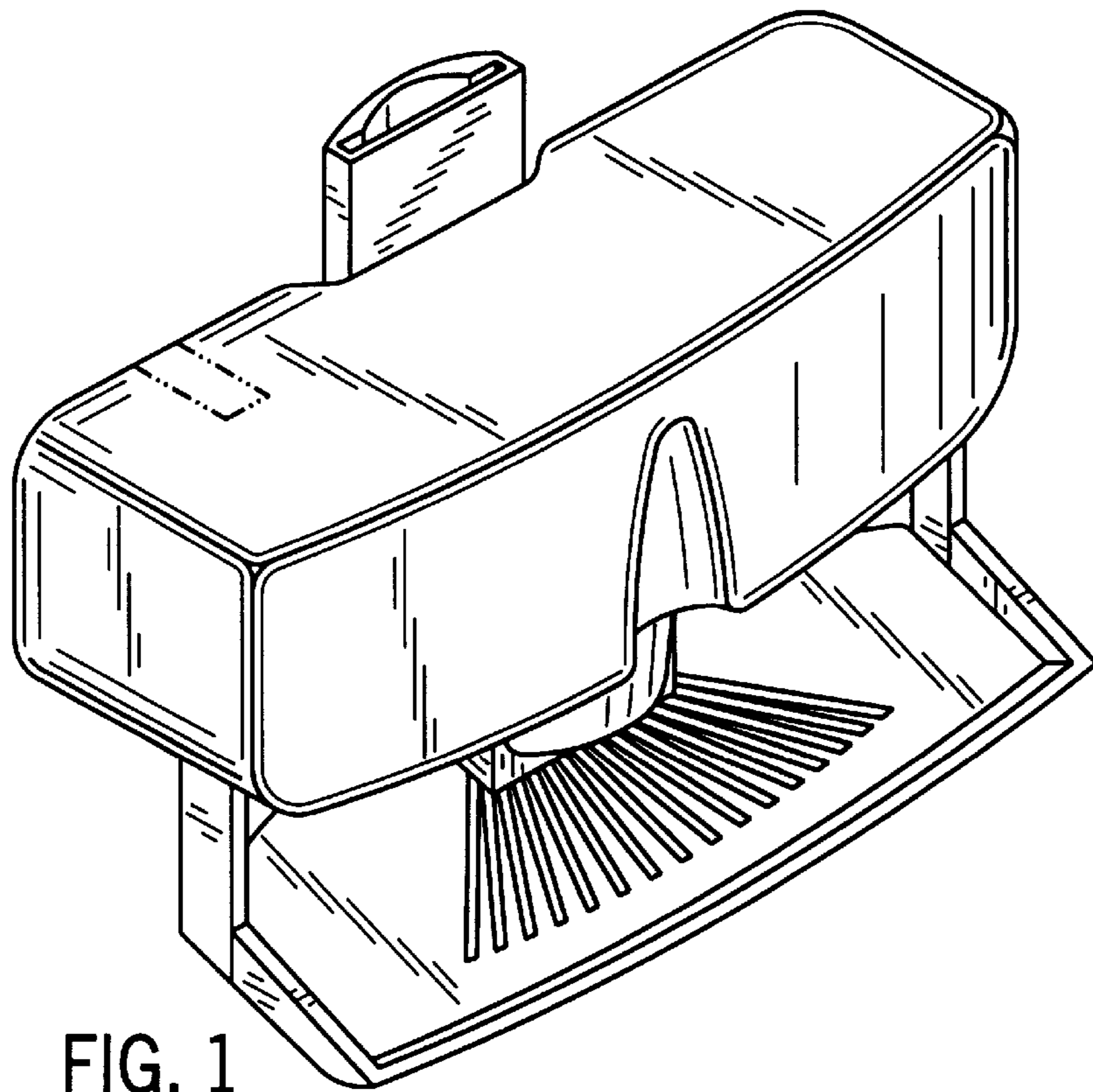


FIG. 1

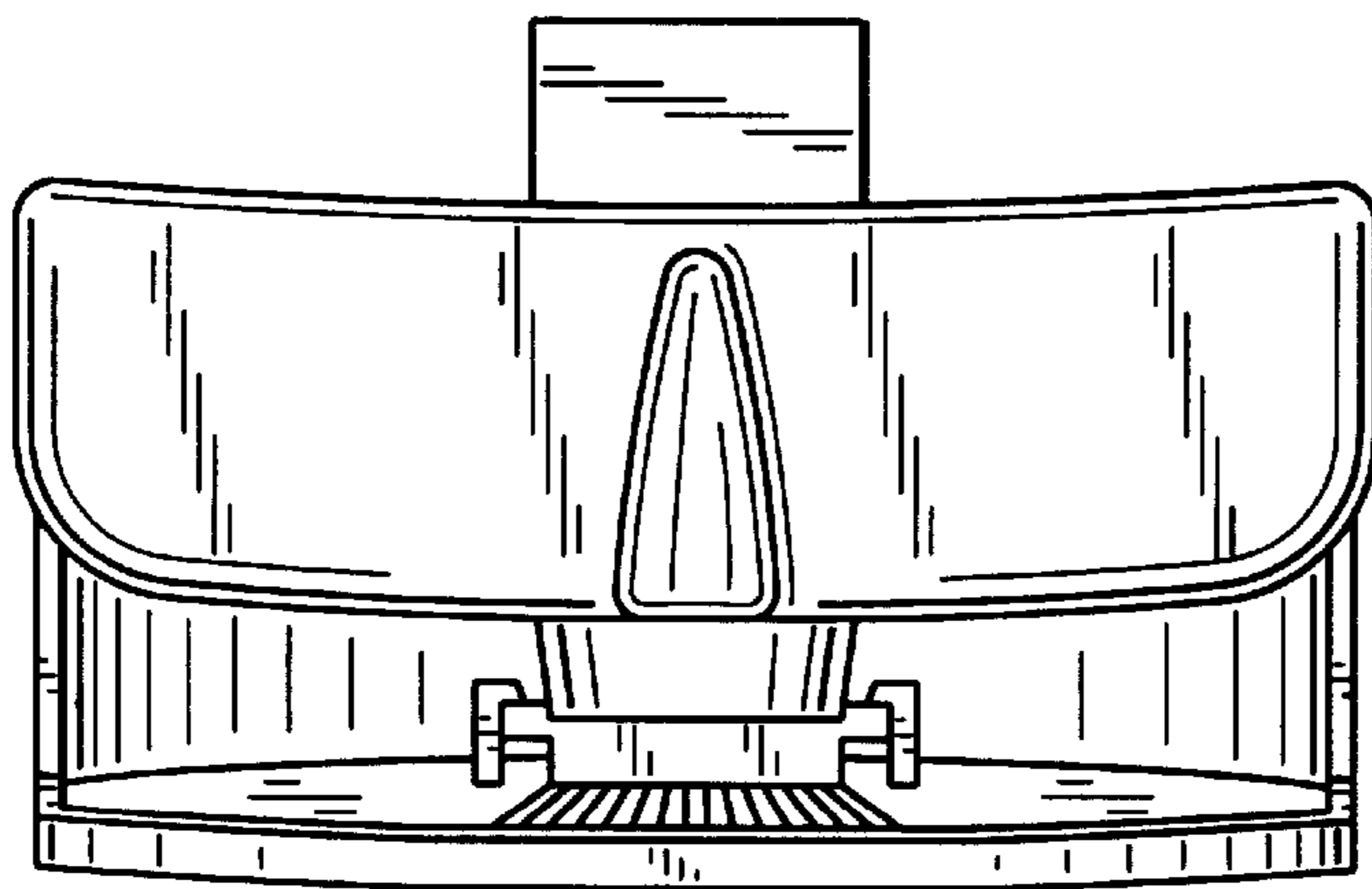


FIG. 2

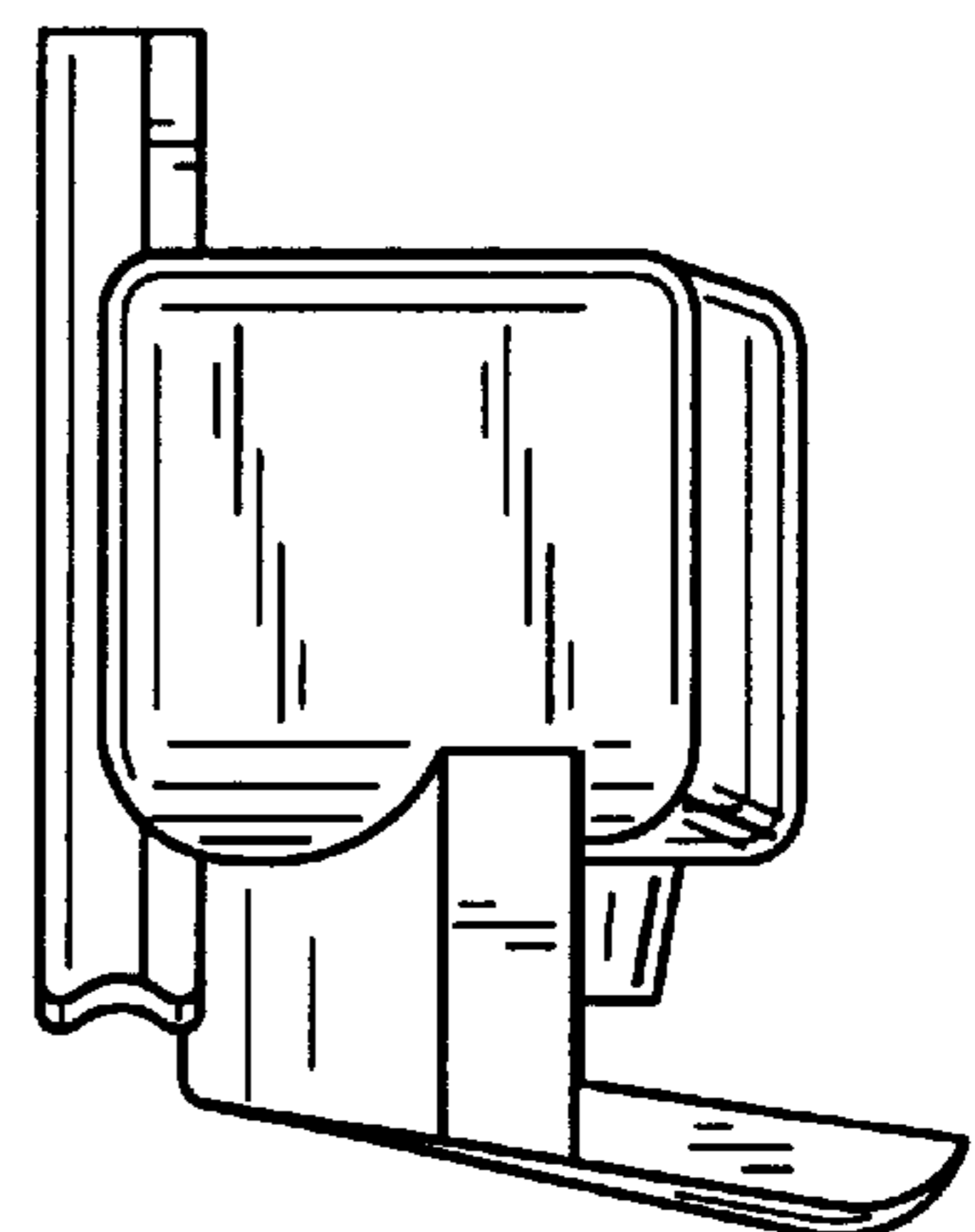


FIG. 3

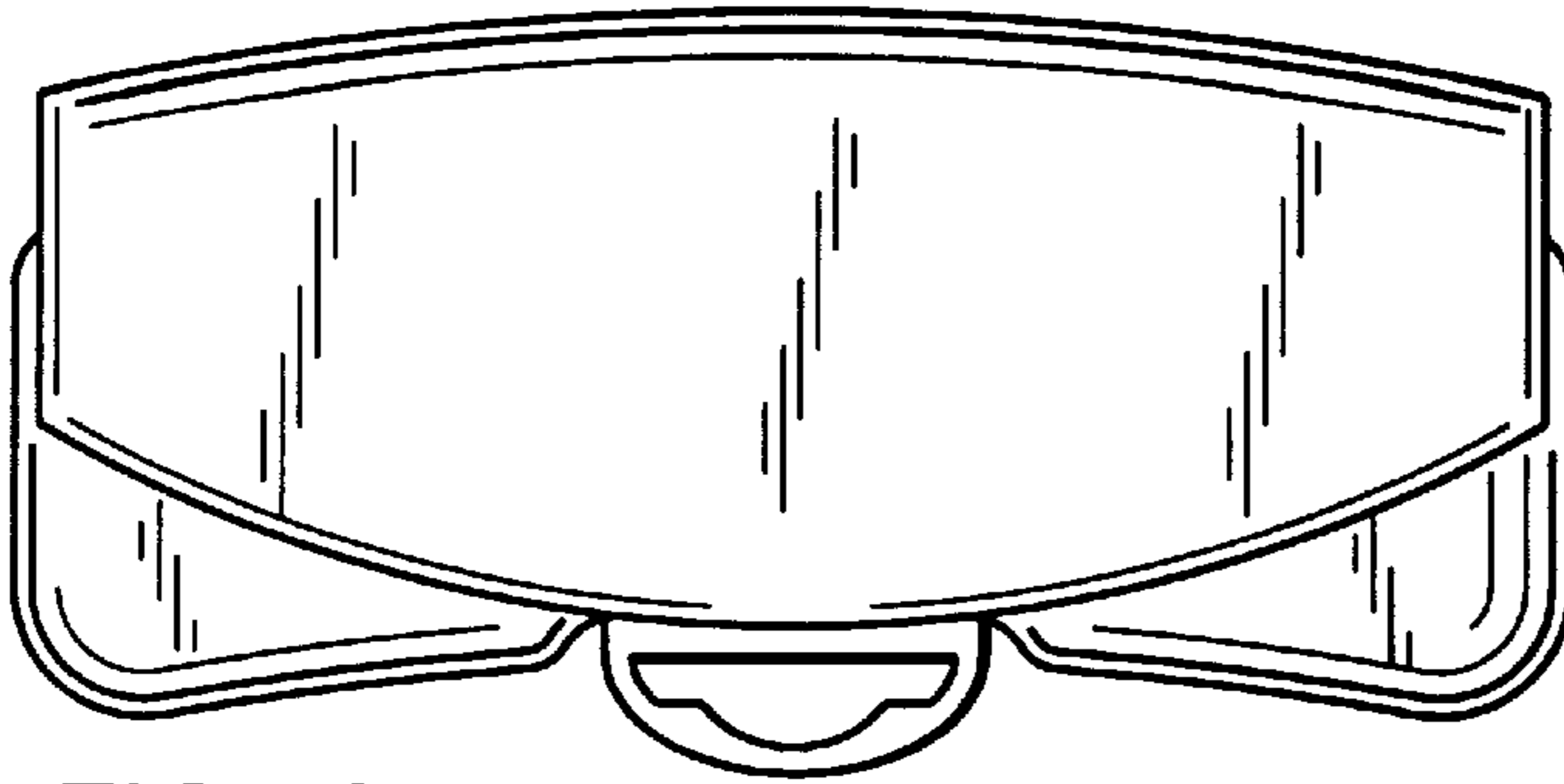


FIG. 4

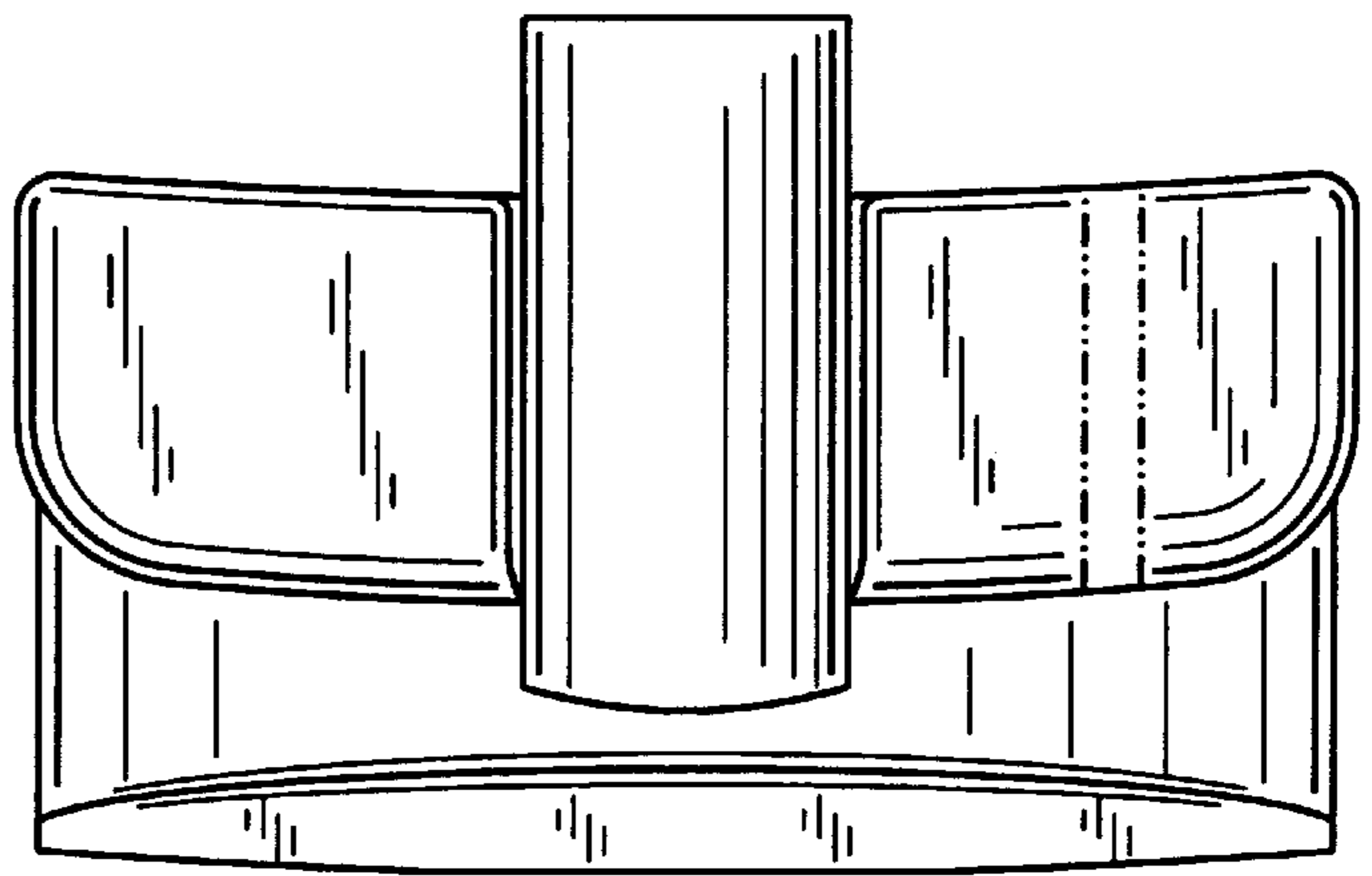


FIG. 5

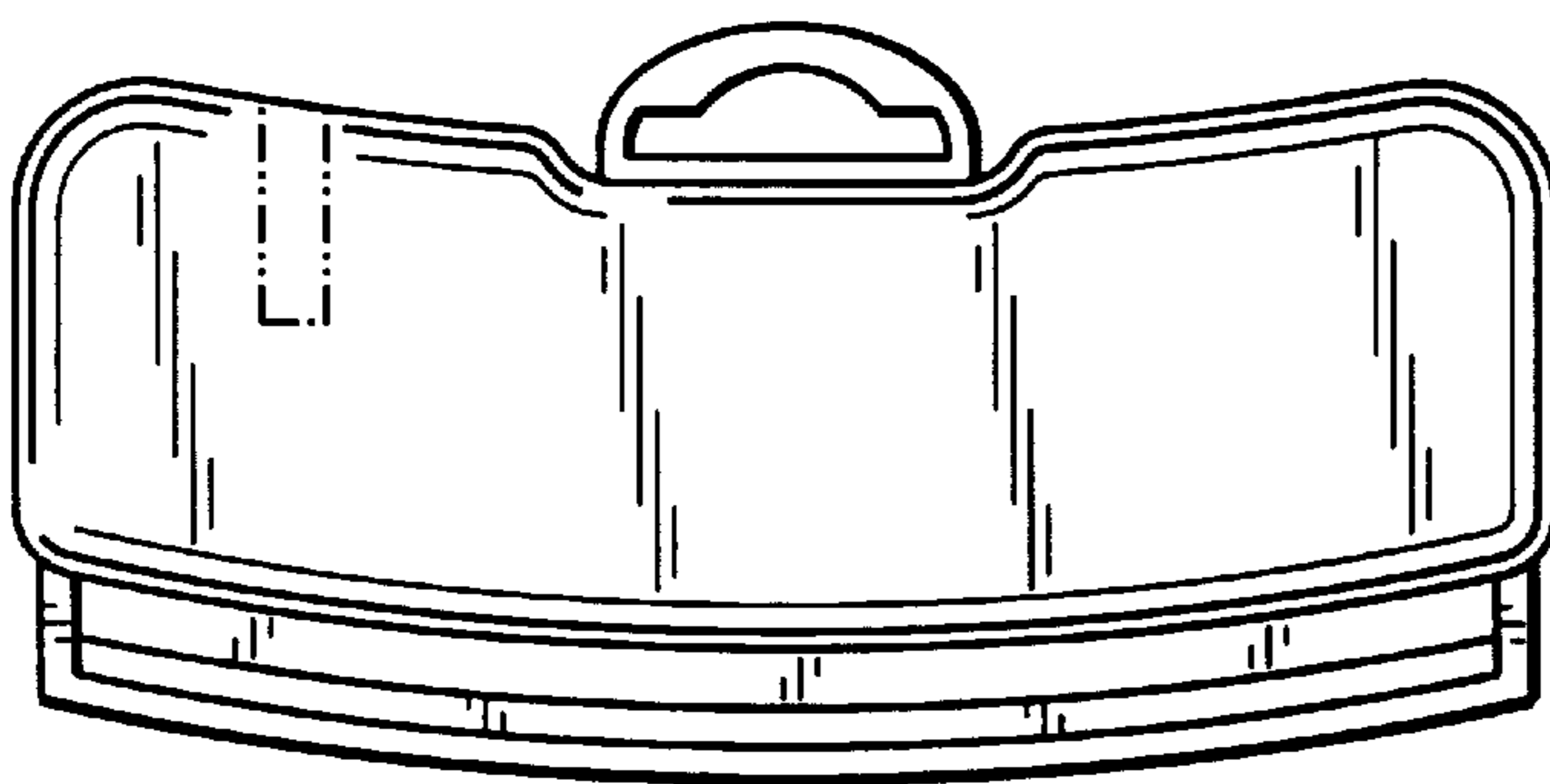


FIG. 6