



US00D436158S

(12) **United States Design Patent**
Burdette, Jr. et al.

(10) **Patent No.:** **US D436,158 S**
(45) **Date of Patent:** **** Jan. 9, 2001**

(54) **POOL SHOWER**

2842416 4/1980 (DE) .
3002852 7/1981 (DE) .
1453606 9/1966 (FR) .
2414601 8/1979 (FR) .

(76) Inventors: **Walter S. Burdette, Jr.**, 12380
Broadwell Rd., Alpharetta, GA (US)
30004; **George Van Forrester, Jr.**,
2415 Shiloh Dr., Marietta, GA (US)
30064

* cited by examiner

Primary Examiner—Doris Clark
(74) *Attorney, Agent, or Firm*—Kennedy, Davis & Hodge
LLP

(**) Term: **14 Years**

(21) Appl. No.: **29/114,730**

(57) **CLAIM**

(22) Filed: **Nov. 30, 1999**

The ornamental design for a pool shower, as shown and described.

(51) **LOC (7) Cl.** **23-02**

(52) **U.S. Cl.** **D23/283**

(58) **Field of Search** 4/596, 599, 900;
D23/283

DESCRIPTION

(56) **References Cited**

U.S. PATENT DOCUMENTS

D. 349,151	*	7/1994	Fernandez	D23/213
D. 370,527	*	6/1996	Perino	D23/283
3,629,875		12/1971	Dow et al.	4/146
4,381,763		5/1983	Kahl	126/416
4,453,280		6/1984	Greenleaf	4/599
4,520,793		6/1985	Hall	126/426
4,552,125		11/1985	Borodulin et al.	126/437
4,757,803		7/1988	Dixon	126/437
5,111,538		5/1992	Chapman	4/599
5,161,266		11/1992	Hildebrand	4/599
5,507,275		4/1996	Clark	126/627
5,660,164		8/1997	Sanchez	126/640

FIG. 1 is a front elevational view of my new design for a pool shower;
FIG. 2 is a left side elevational view thereof, the right side elevational view being a mirror image;
FIG. 3 is a back elevational view thereof;
FIG. 4 is a top plan view thereof; and
FIG. 5 is a bottom plan view thereof;
FIG. 6 is a front elevational view of a second embodiment of my new design for a pool shower;
FIG. 7 is a left side elevational view thereof, the right side elevational view being a mirror image;
FIG. 8 is a back elevational view thereof;
FIG. 9 is a top plan view thereof; and
FIG. 10 is a bottom plan view thereof;
FIG. 11 is a front elevational view of a third embodiment of my new design for a pool shower;
FIG. 12 is a left side elevational view thereof, the right side elevational view being a mirror image;
FIG. 13 is a back elevational view thereof;
FIG. 14 is a top plan view thereof; and
FIG. 15 is a bottom plan view thereof.

FOREIGN PATENT DOCUMENTS

391204	9/1990	(AU) .
901746	5/1985	(BE) .
675470	9/1990	(CH) .
2933511	3/1980	(DE) .

1 Claim, 4 Drawing Sheets

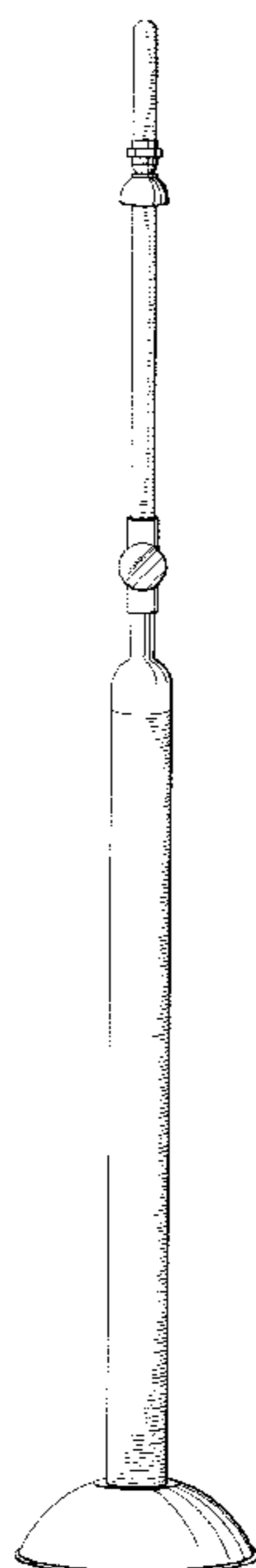


Fig. 1

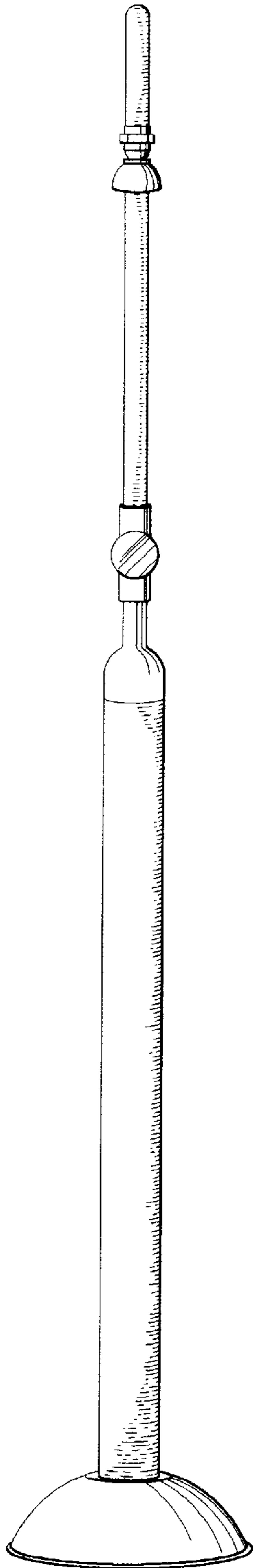


Fig. 2

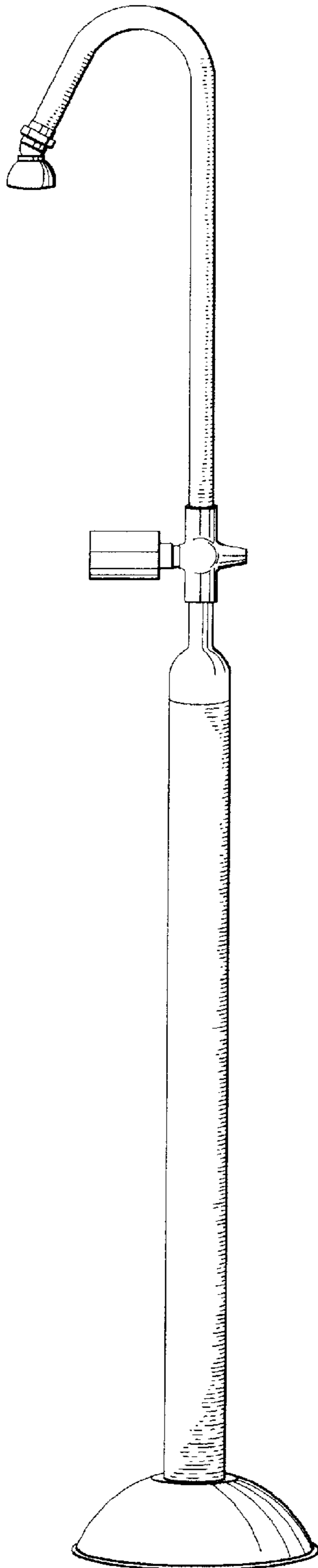


Fig. 3

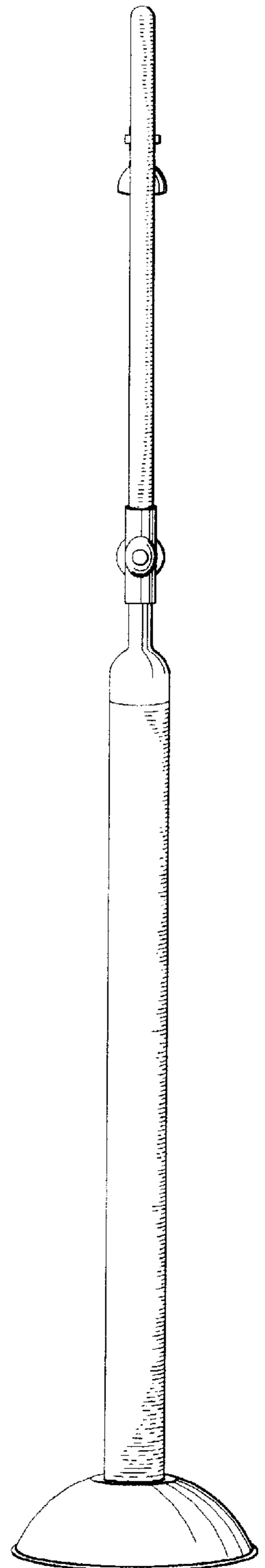


Fig. 4

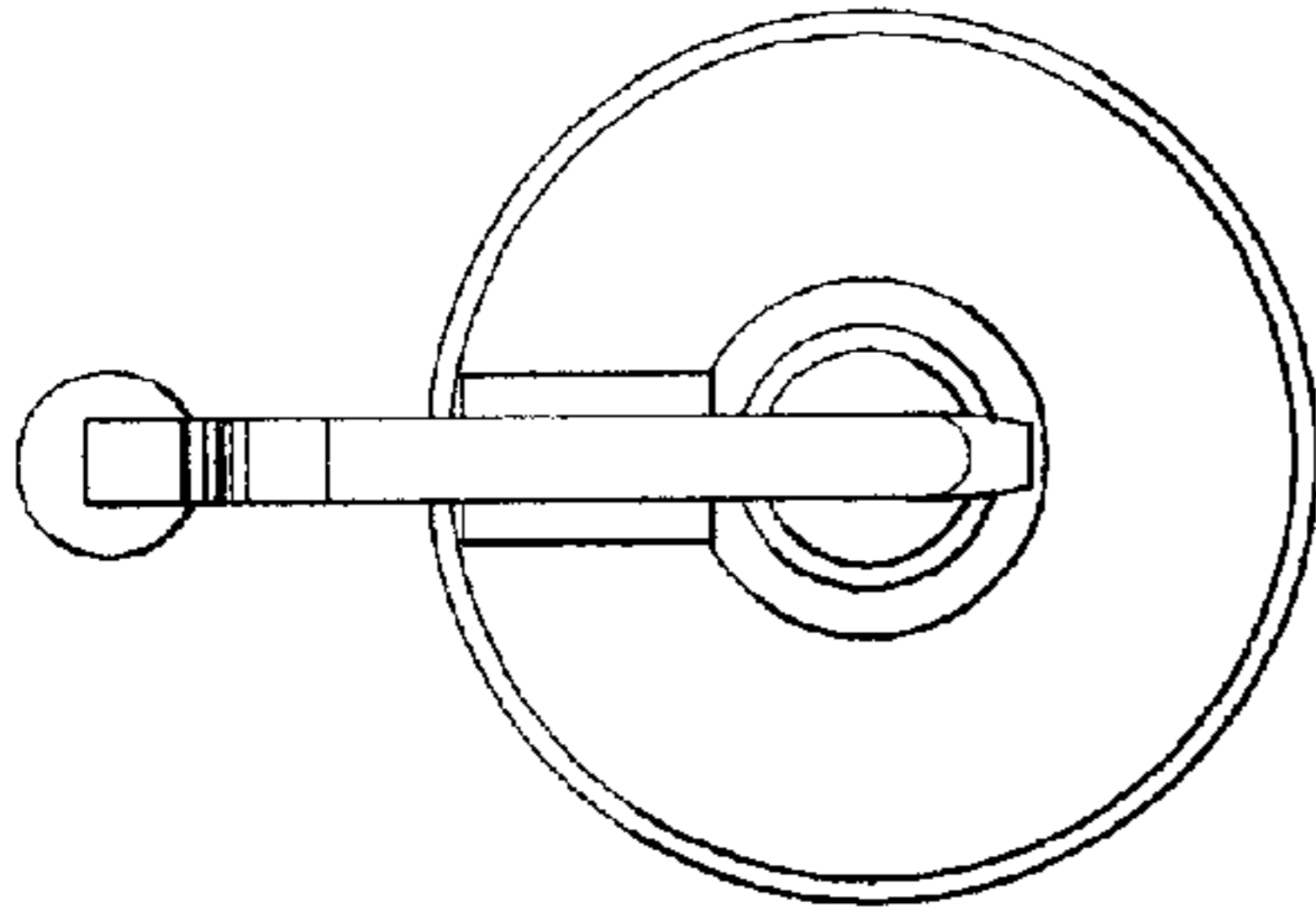


Fig. 5

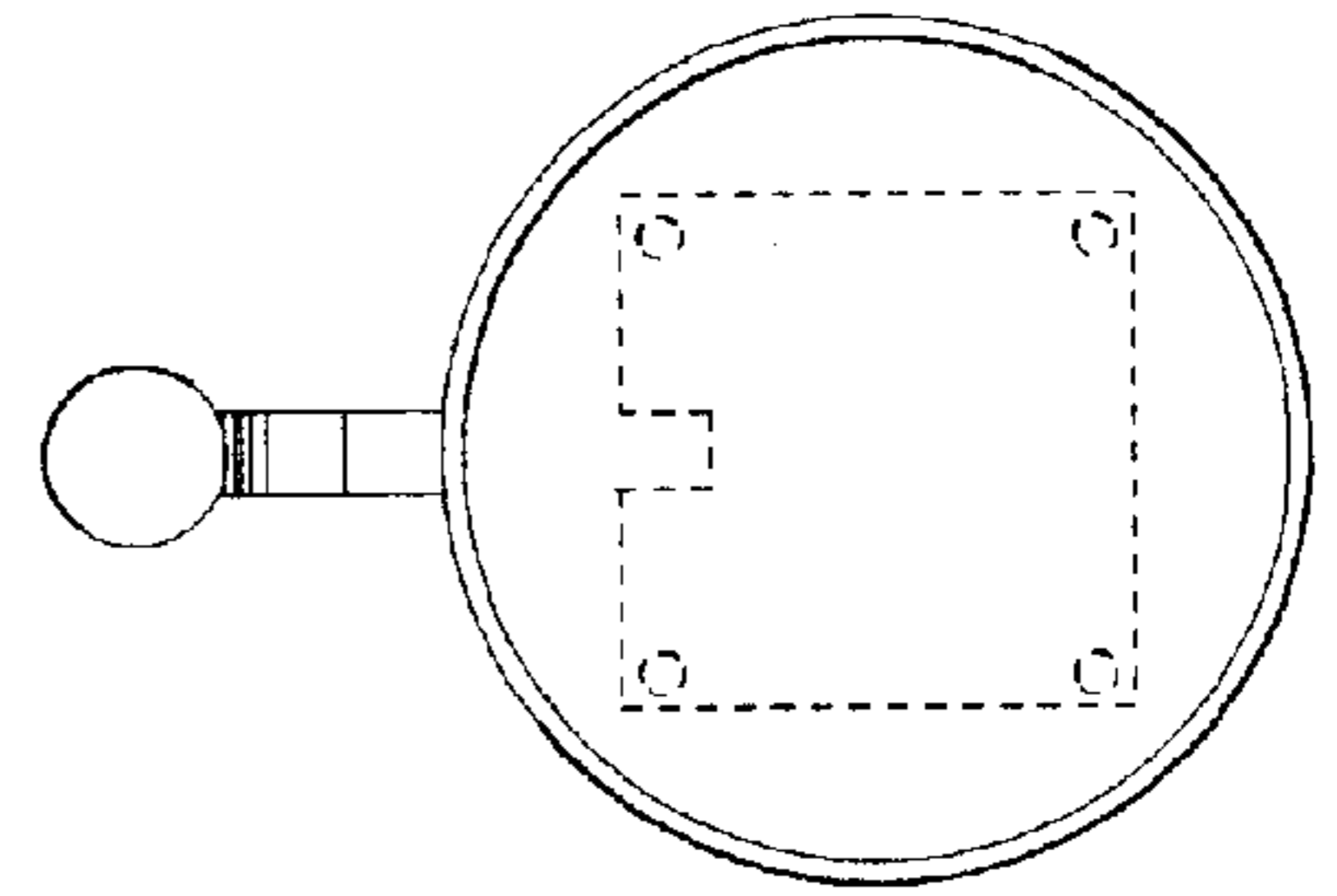


Fig. 9

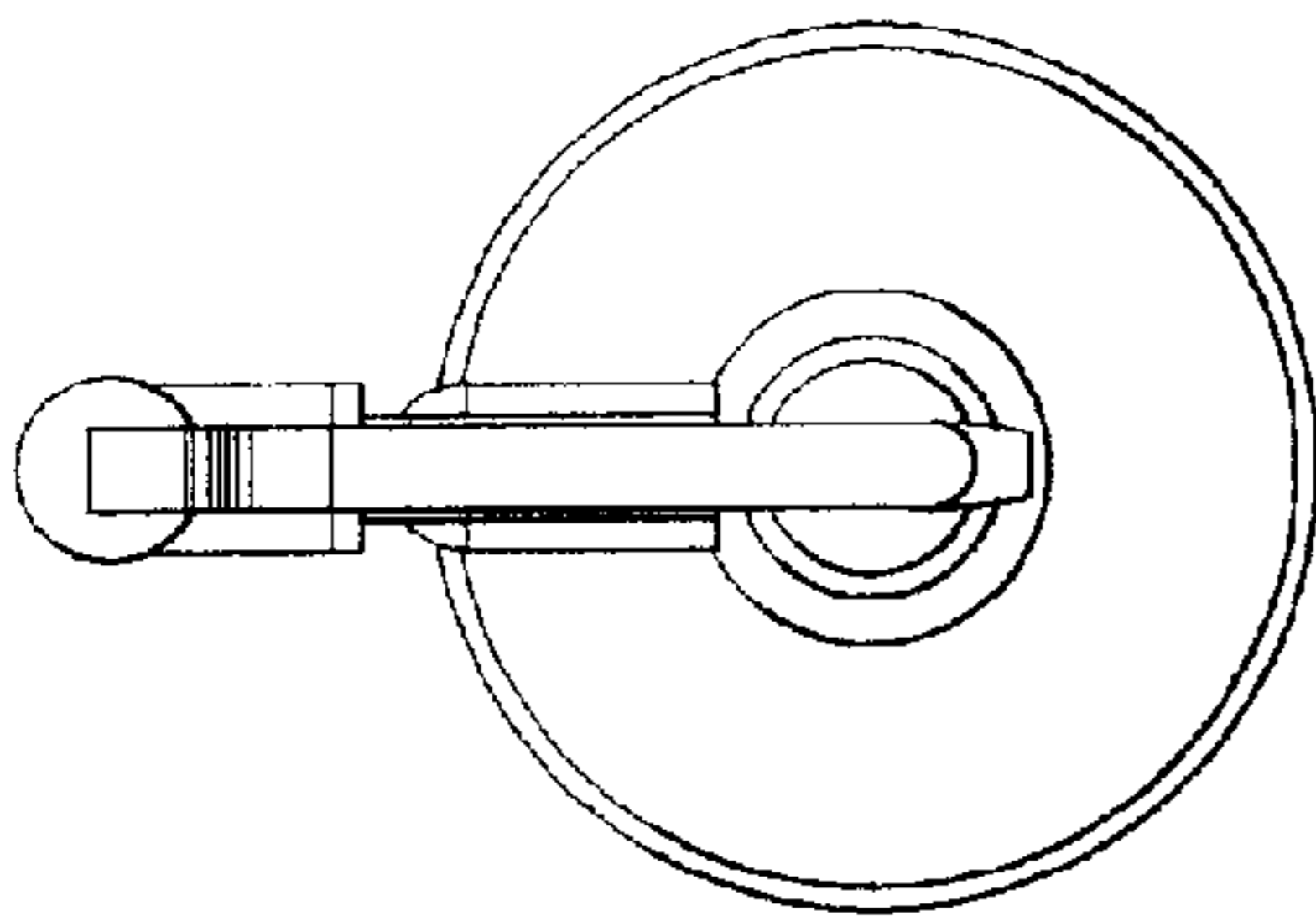


Fig. 10

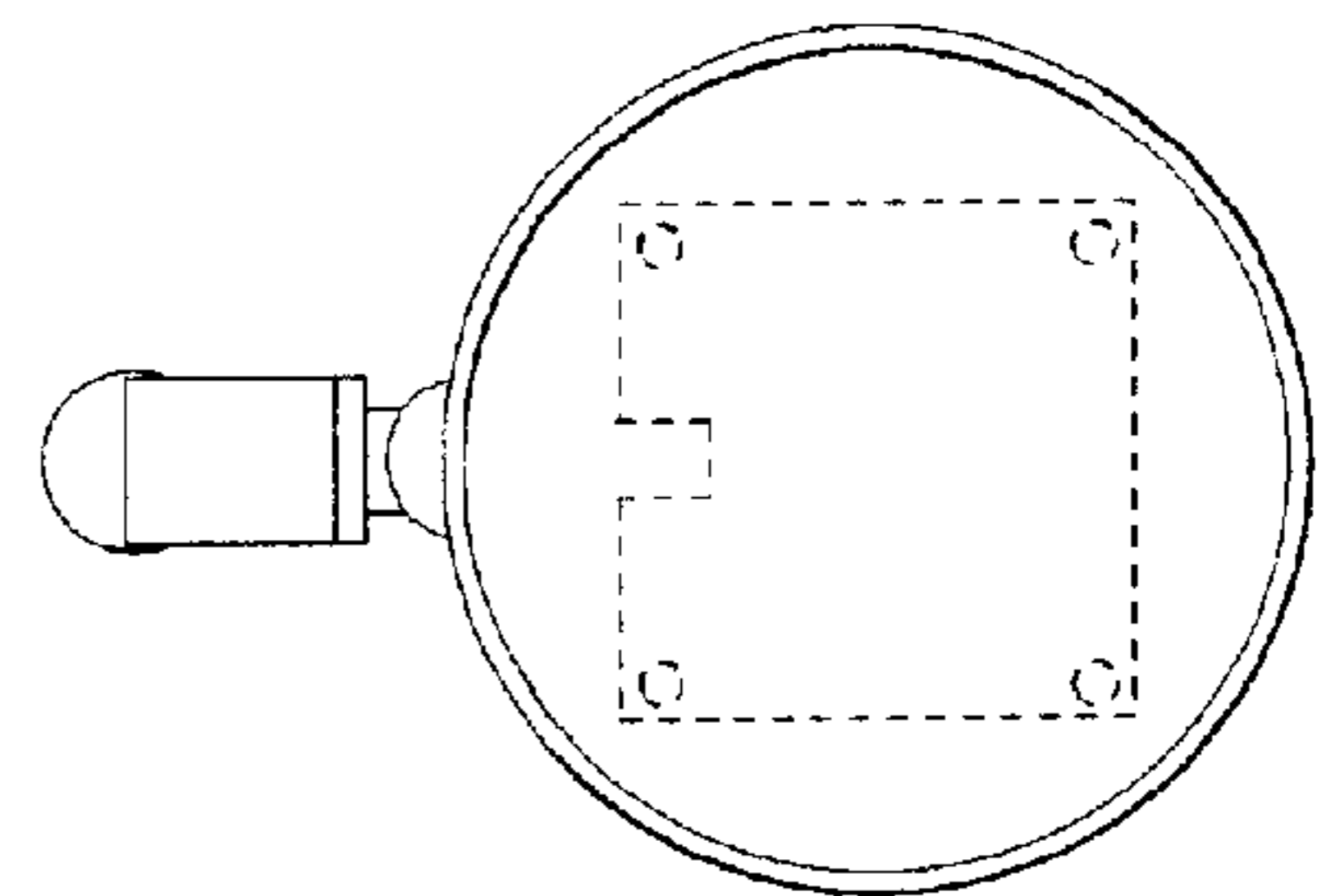


Fig. 14

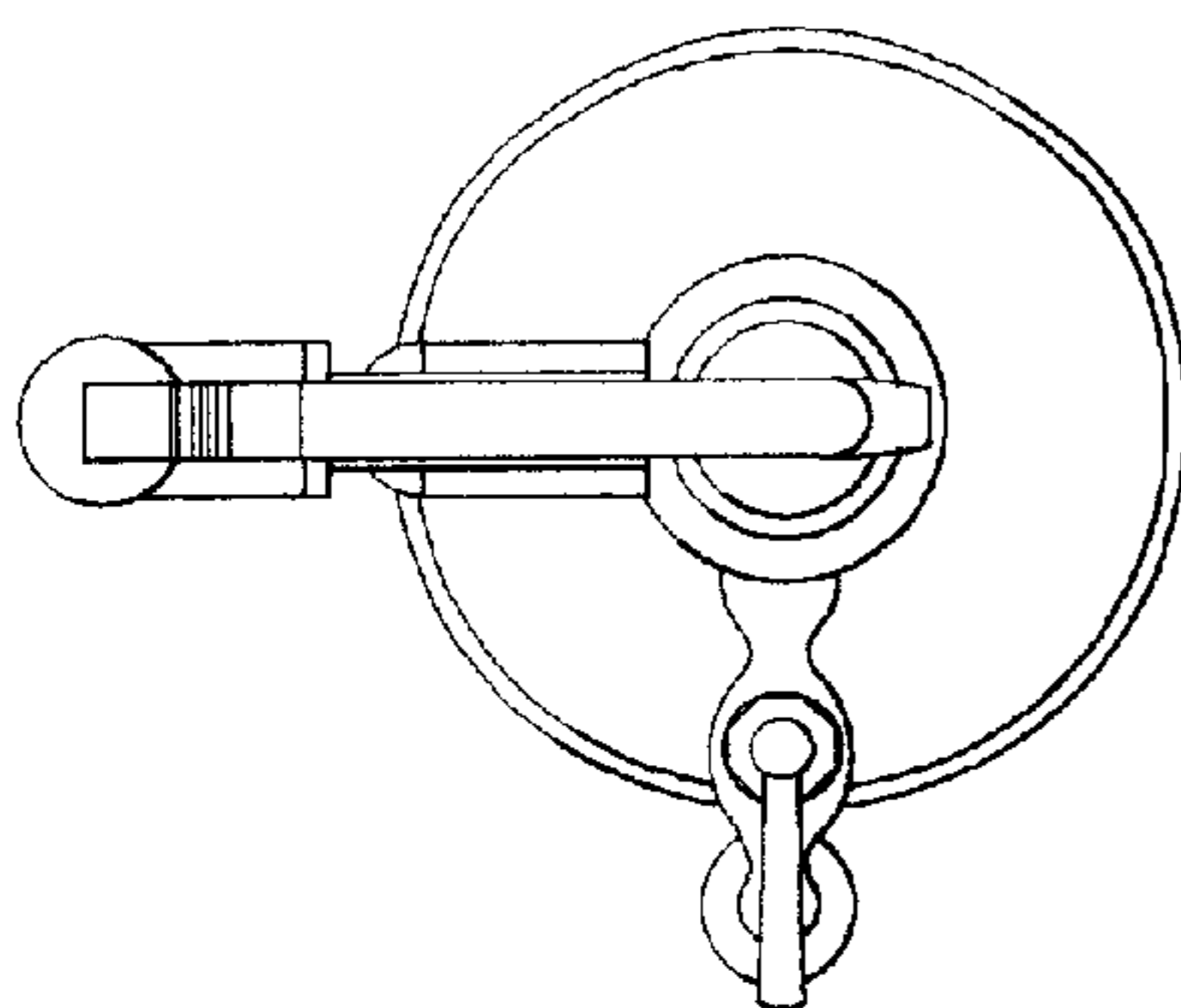


Fig. 15

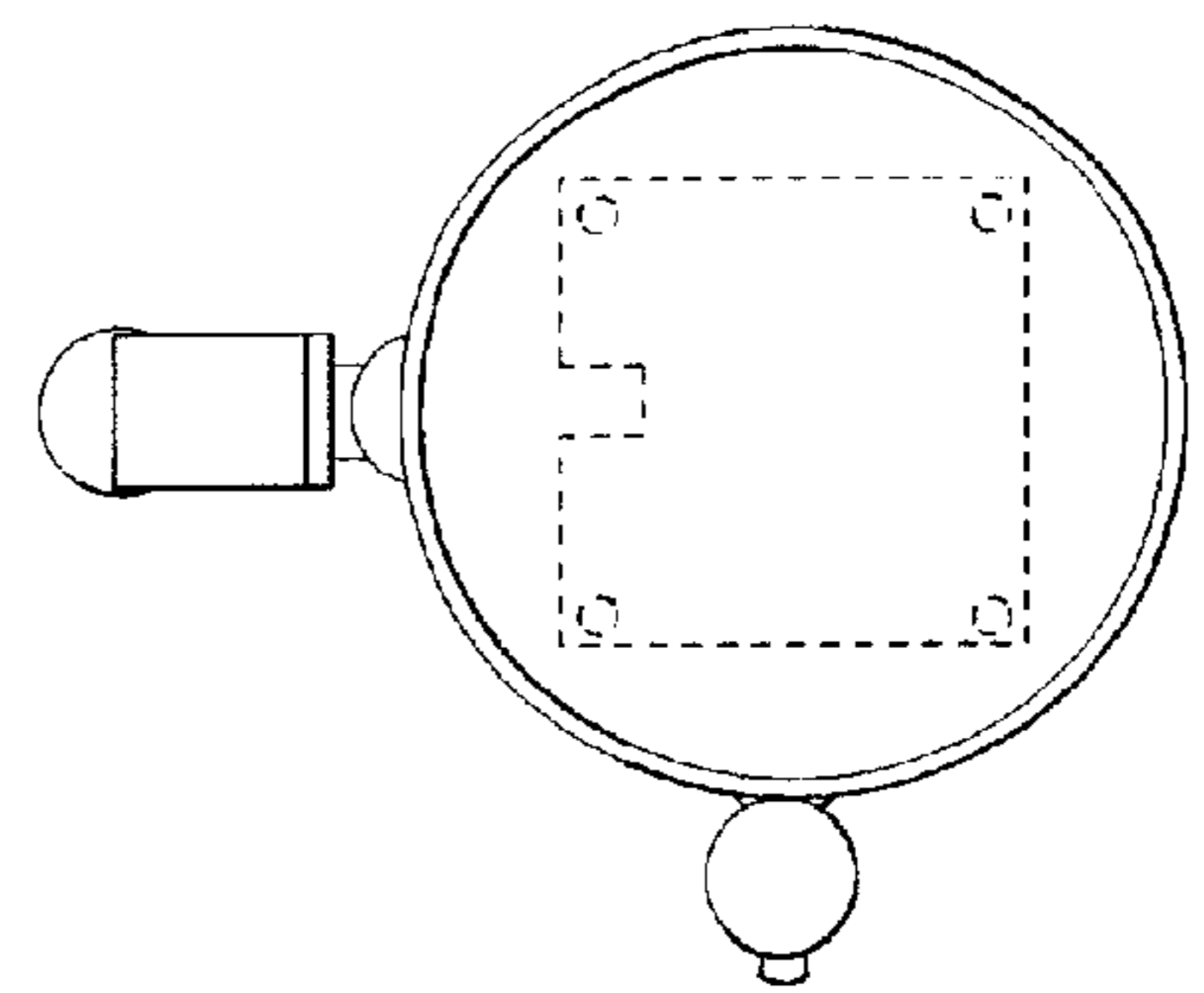


Fig. 6

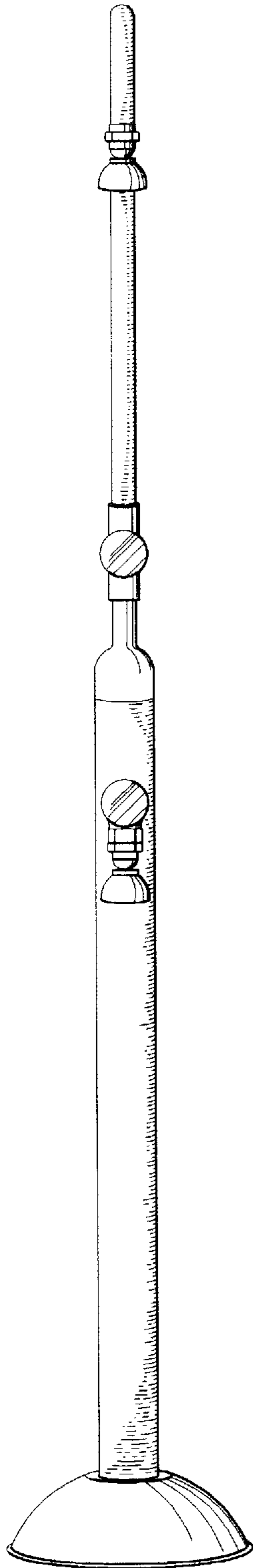


Fig. 7

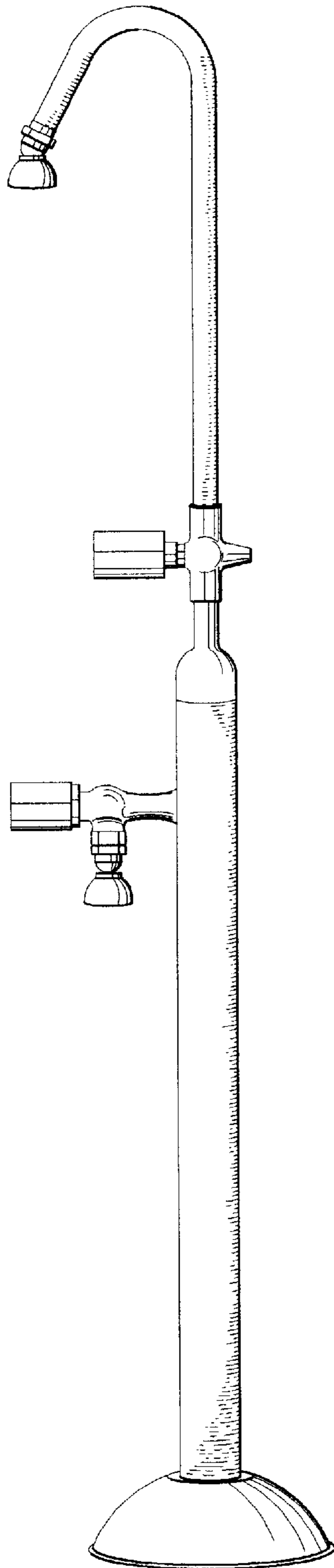


Fig. 8

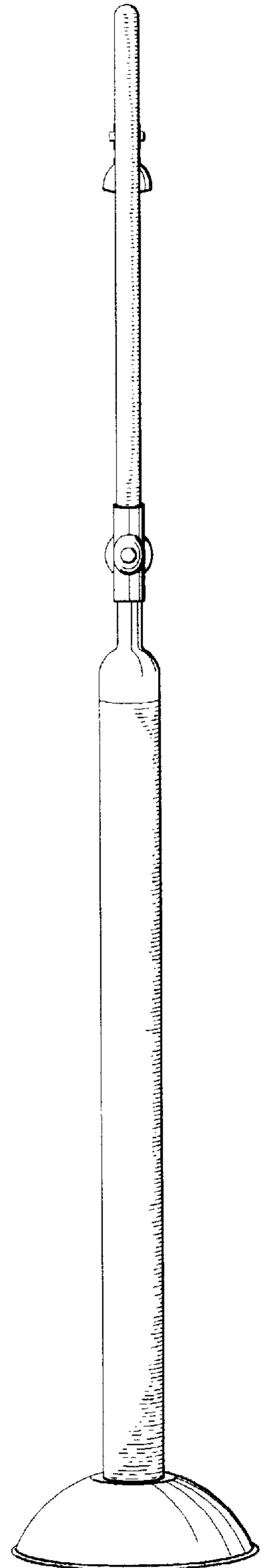


Fig. 11

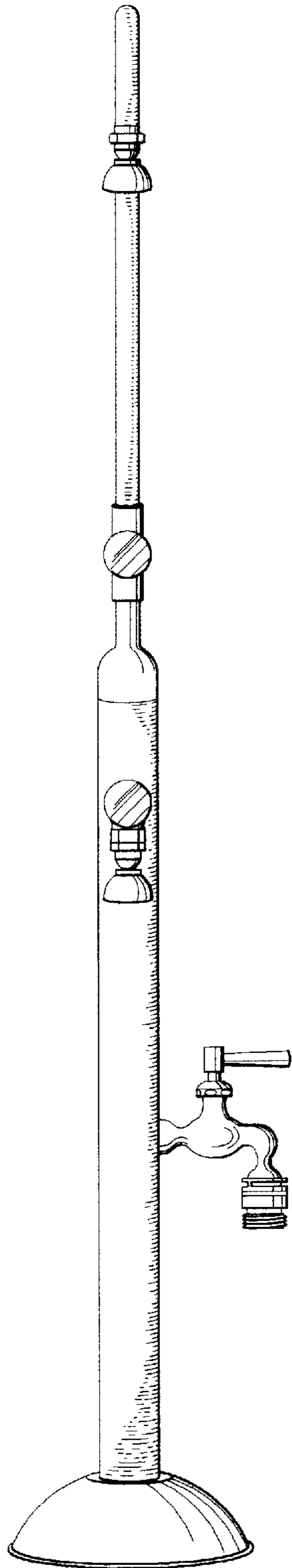


Fig. 12

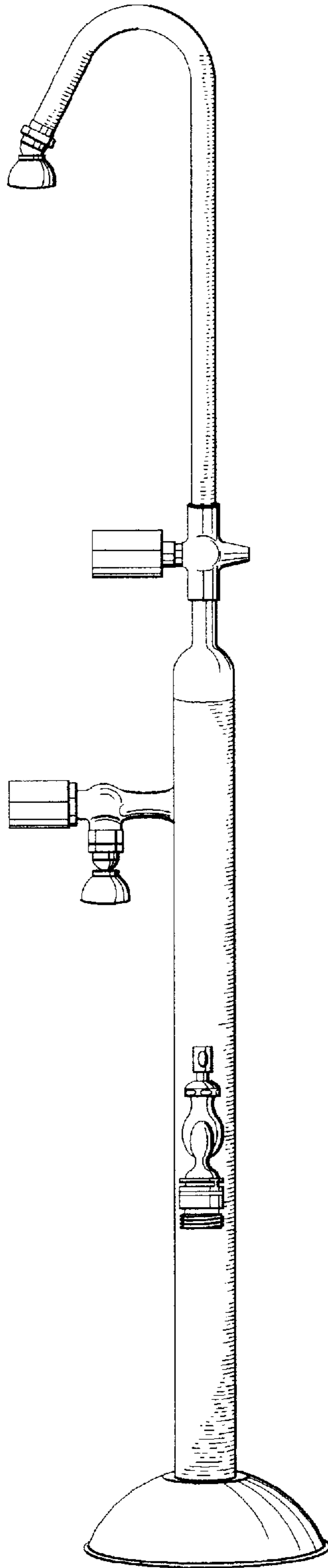


Fig. 13

