



US00D436155S

(12) **United States Design Patent**
Asano et al.

(10) **Patent No.:** **US D436,155 S**

(45) **Date of Patent:** **** Jan. 9, 2001**

(54) **FISHING REEL BODY**

(75) Inventors: **Shinichi Asano**, Musashino; **Masayoshi Fujii**, Higashikurume; **Takeo Miyazaki**, Higashikurume; **Akio Yamazaki**, Higashikurume; **Hideki Jo**, Higashikurume; **Seiji Kurosawa**, Higashikurume, all of (JP)

(73) Assignee: **Daiwa Seiko, Inc.**, Tokyo (JP)

(**) Term: **14 Years**

(21) Appl. No.: **29/106,612**

(22) Filed: **Jun. 21, 1999**

(30) **Foreign Application Priority Data**

Dec. 22, 1998 (JP) 10-37250
Dec. 26, 1998 (JP) 10-38351

(51) **LOC (7) Cl.** **22-05**

(52) **U.S. Cl.** **D22/140**

(58) **Field of Search** D22/137, 138,
D22/139, 140, 141; 242/370, 223, 224,
234, 235-240, 311, 322

(56) **References Cited**

U.S. PATENT DOCUMENTS

D. 261,297 * 10/1981 Sakamoto et al. D22/140
D. 315,011 * 2/1991 Kameda et al. D22/140
D. 336,325 * 6/1993 Asano D22/140

D. 346,006 * 4/1994 Sakurai et al. D22/140
D. 353,647 12/1994 Sakurai .
D. 356,139 3/1995 Onishi .
D. 394,896 6/1998 Asana et al. .
D. 400,639 * 11/1998 Ito et al. D22/140
D. 422,673 * 4/2000 Asano et al. D22/140

* cited by examiner

Primary Examiner—Louis S. Zarfes

Assistant Examiner—Inga-Maria Hyttinen

(74) *Attorney, Agent, or Firm*—Sughrue, Mion, Zinn,
Macpeak & Seas, PLLC

(57) **CLAIM**

The ornamental design for a fishing reel body, as shown and described.

DESCRIPTION

FIG. 1 is a perspective view of the top, front and right side of a fishing reel body showing our new design;

FIG. 2 is a perspective view of the top, rear and left side thereof;

FIG. 3 is a front elevational view thereof;

FIG. 4 is a rear elevational view thereof;

FIG. 5 is a top plan view thereof;

FIG. 6 is a bottom plan view thereof;

FIG. 7 is a right side elevational view thereof; and,

FIG. 8 is a left side elevational view thereof.

The elements shown in phantom lines in FIGS. 1-8 inclusive are not considered part of the present design.

1 Claim, 4 Drawing Sheets

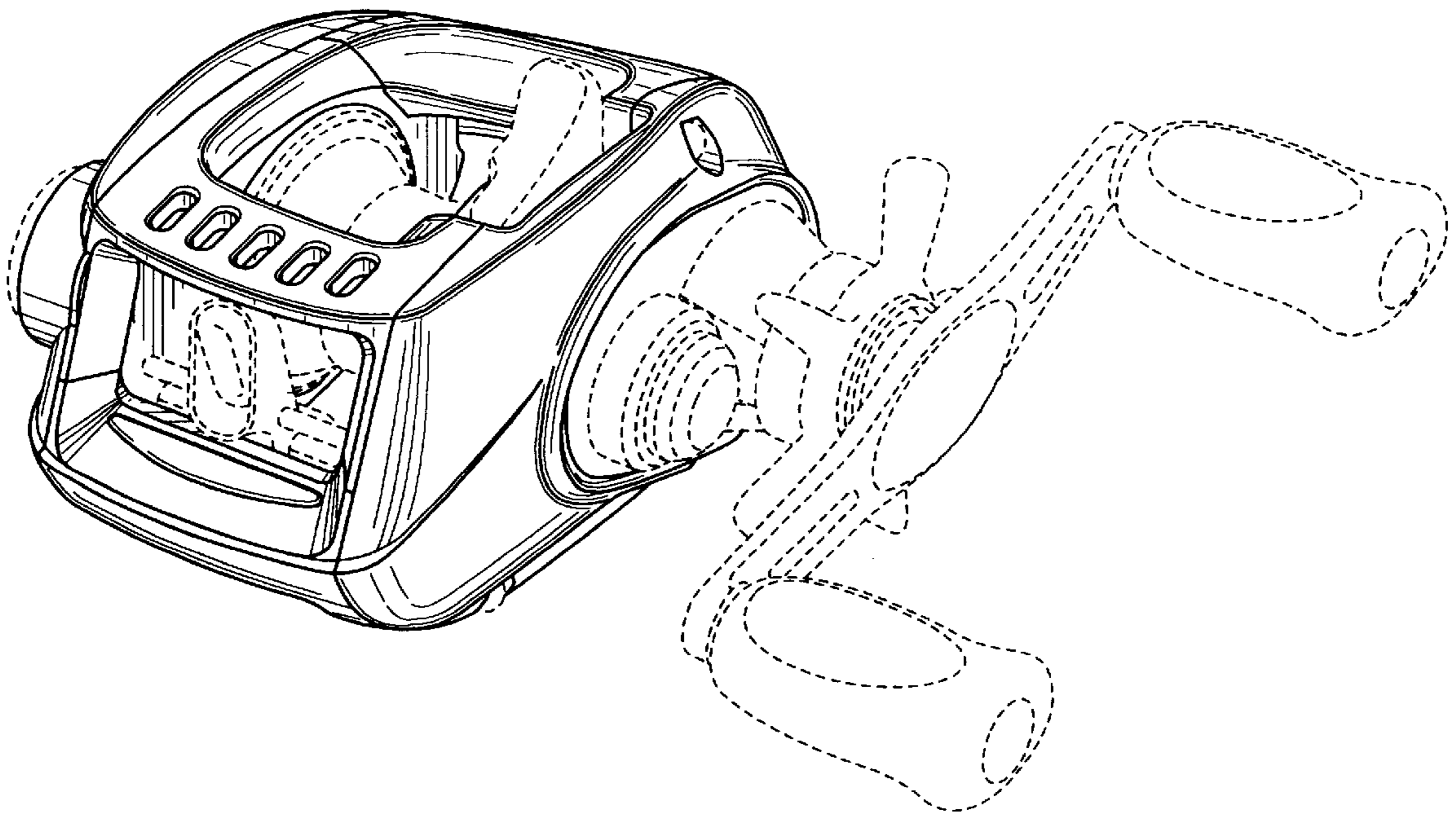


FIG. 1

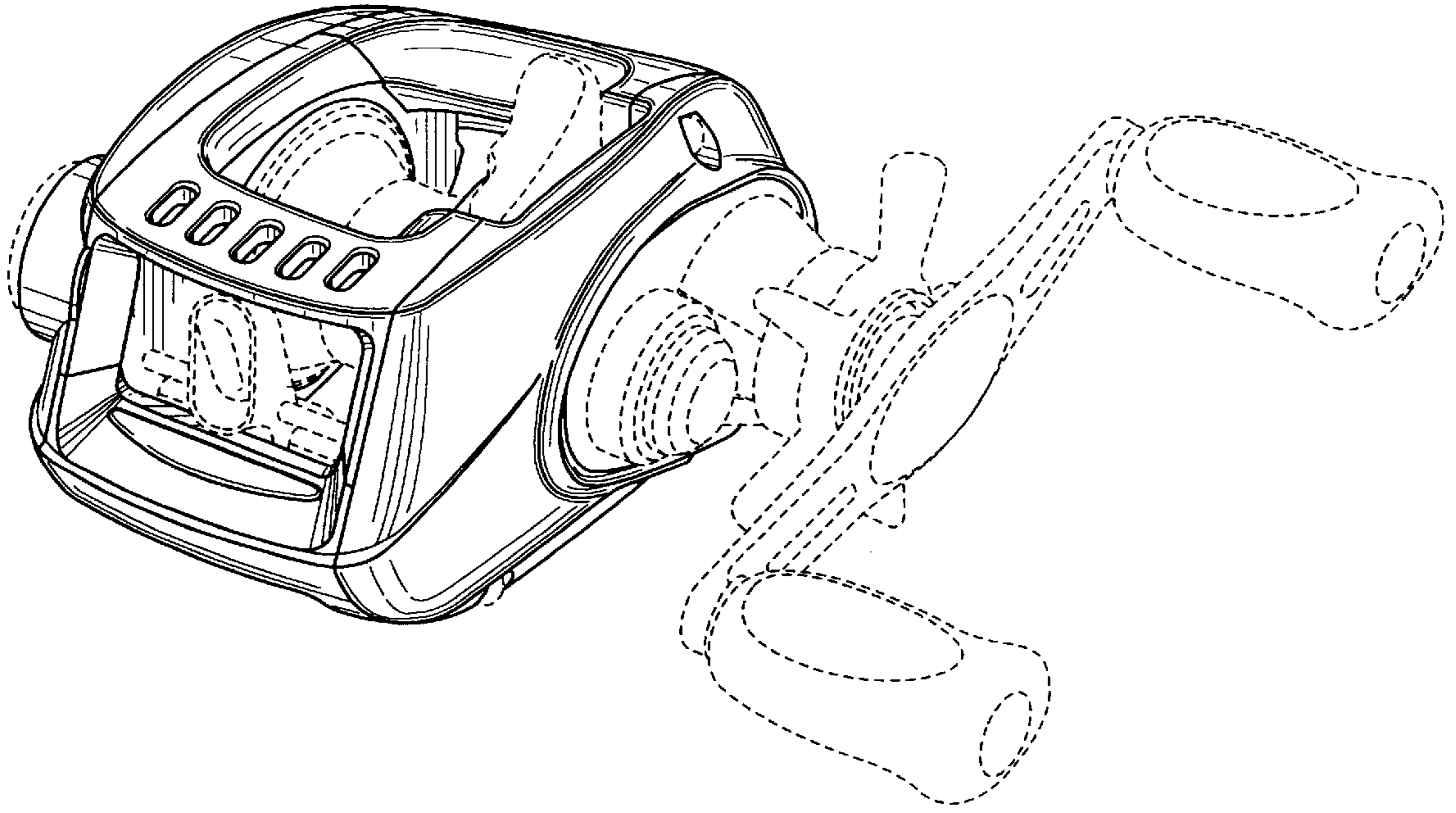


FIG. 2

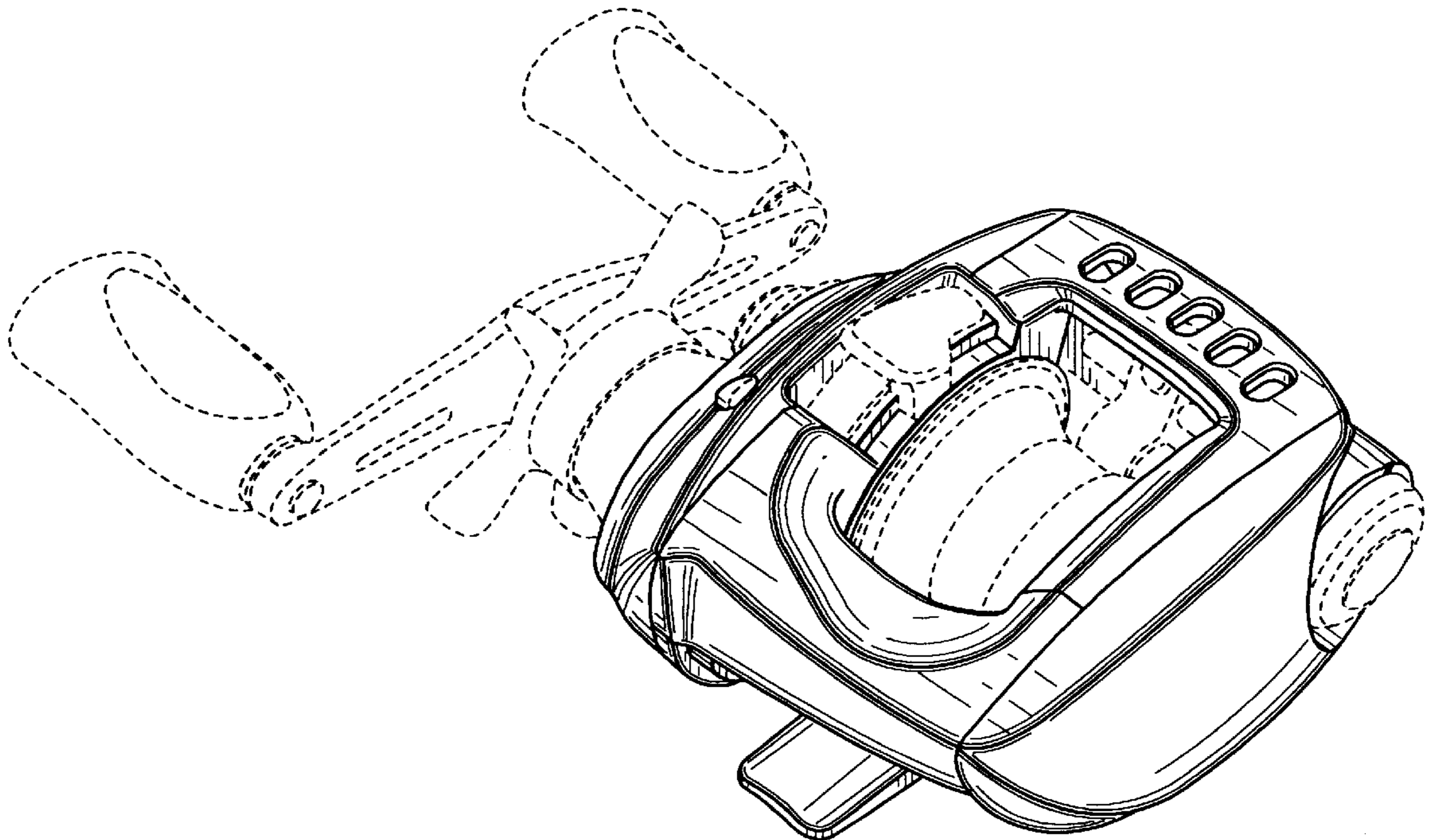


FIG. 3

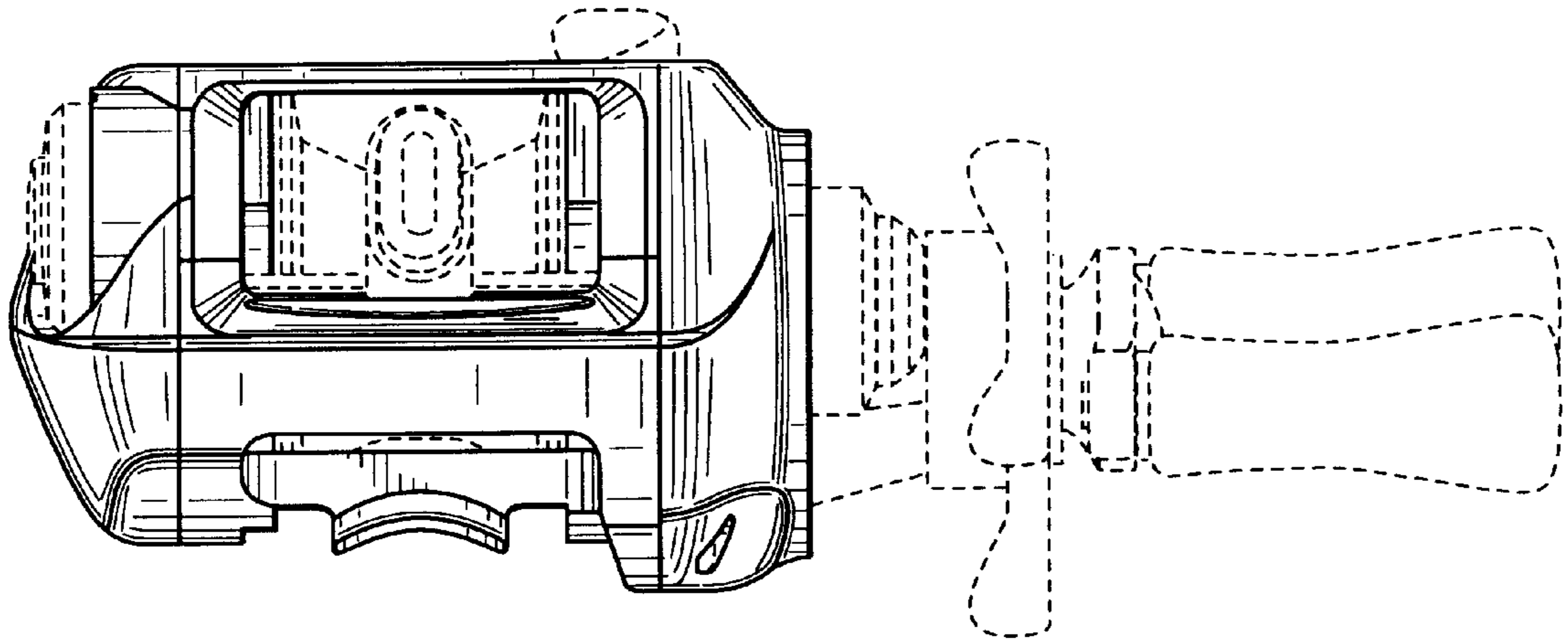


FIG. 4

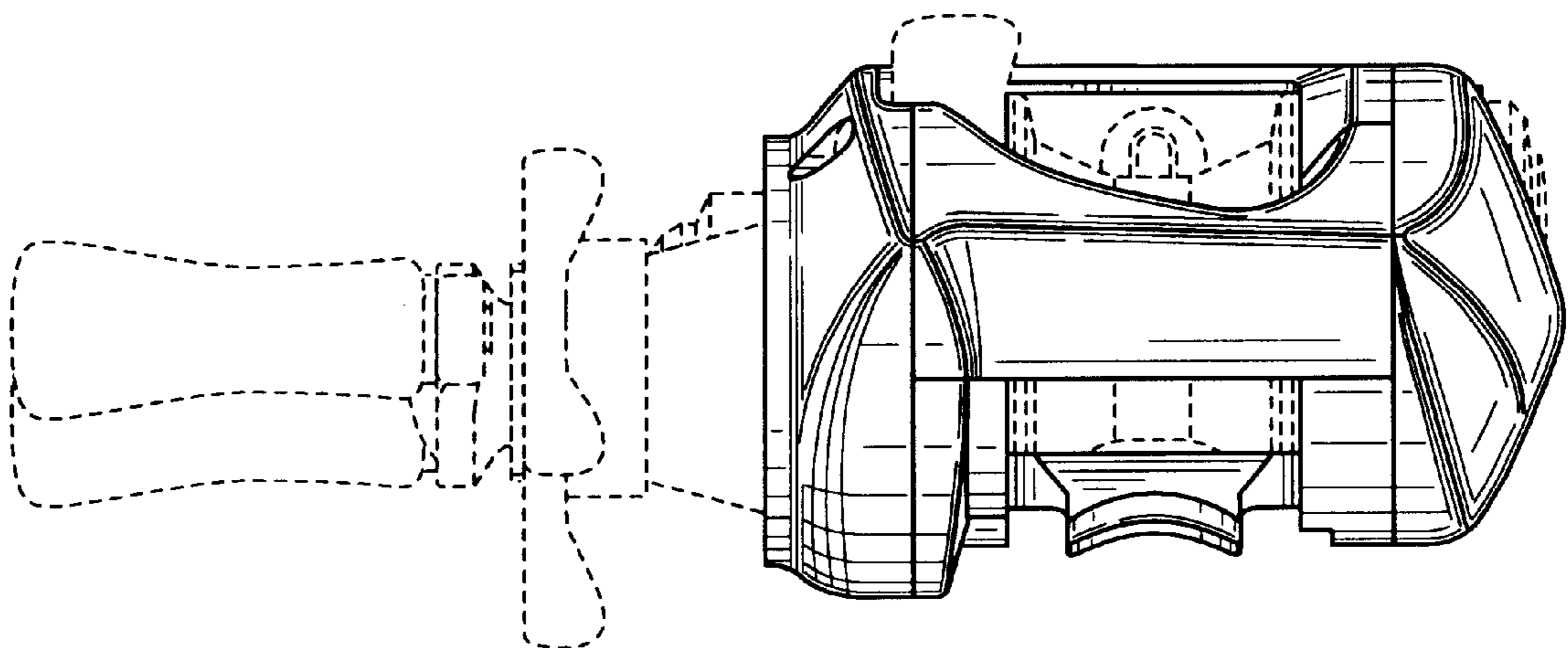


FIG. 5

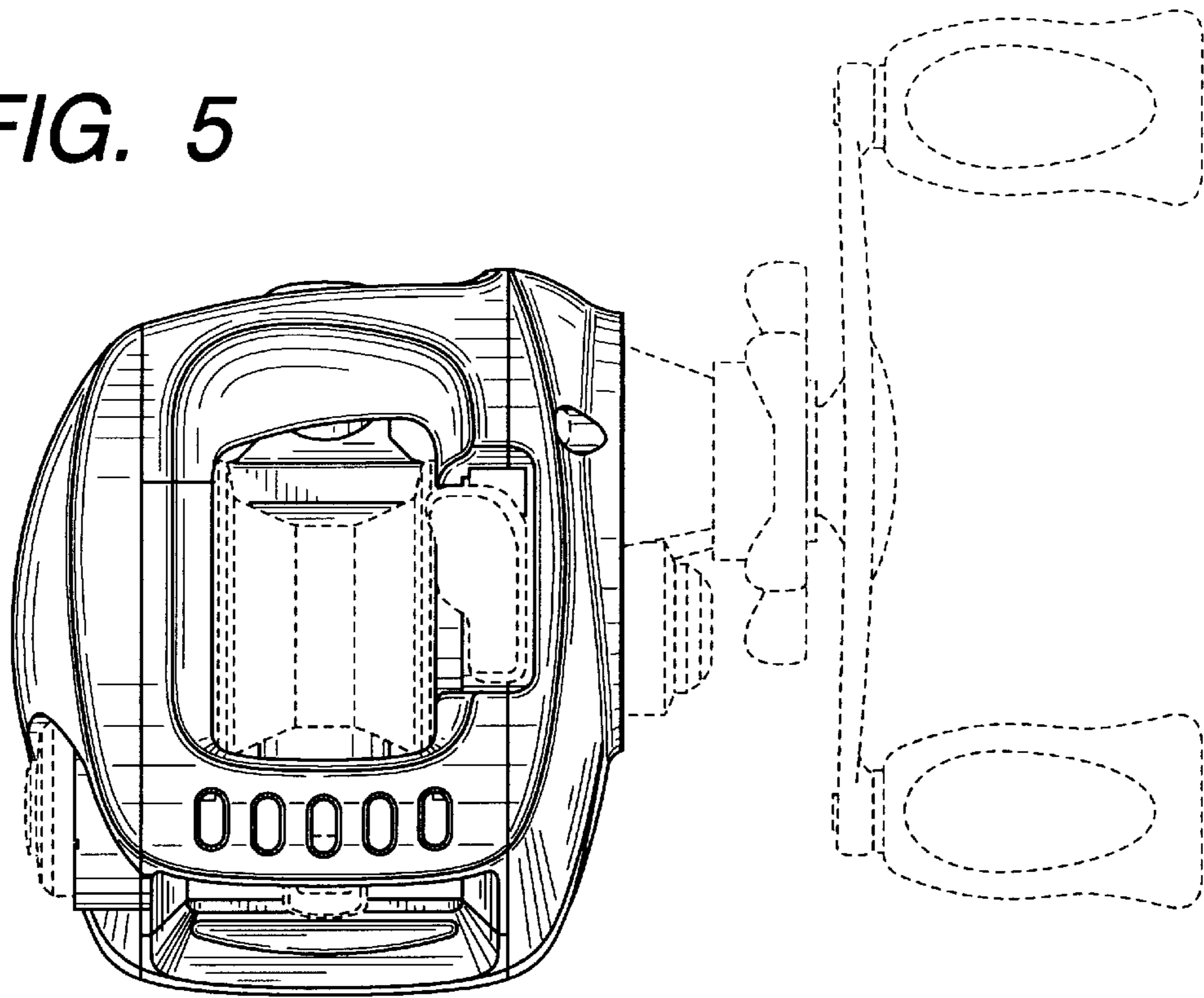


FIG. 6

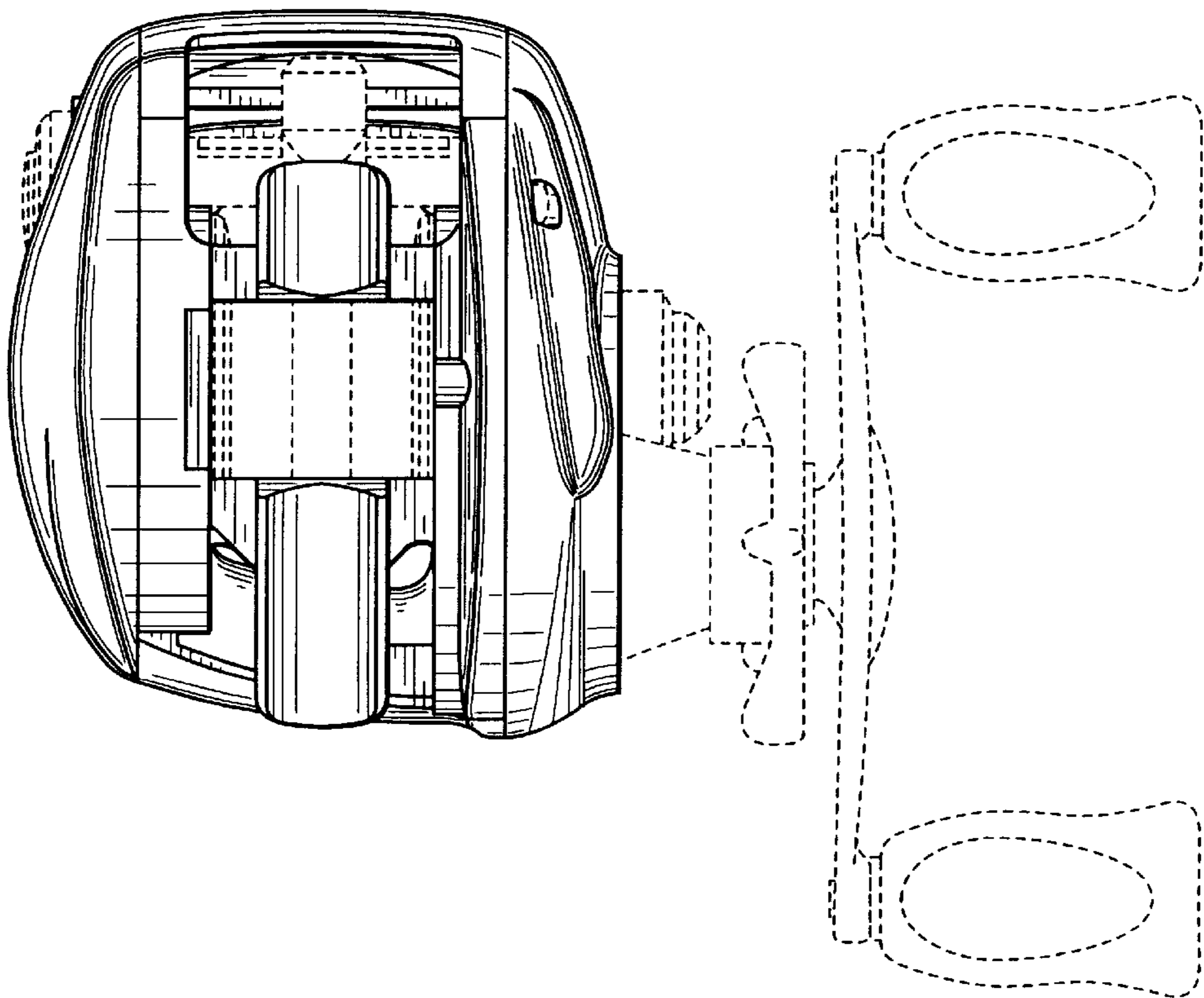


FIG. 7

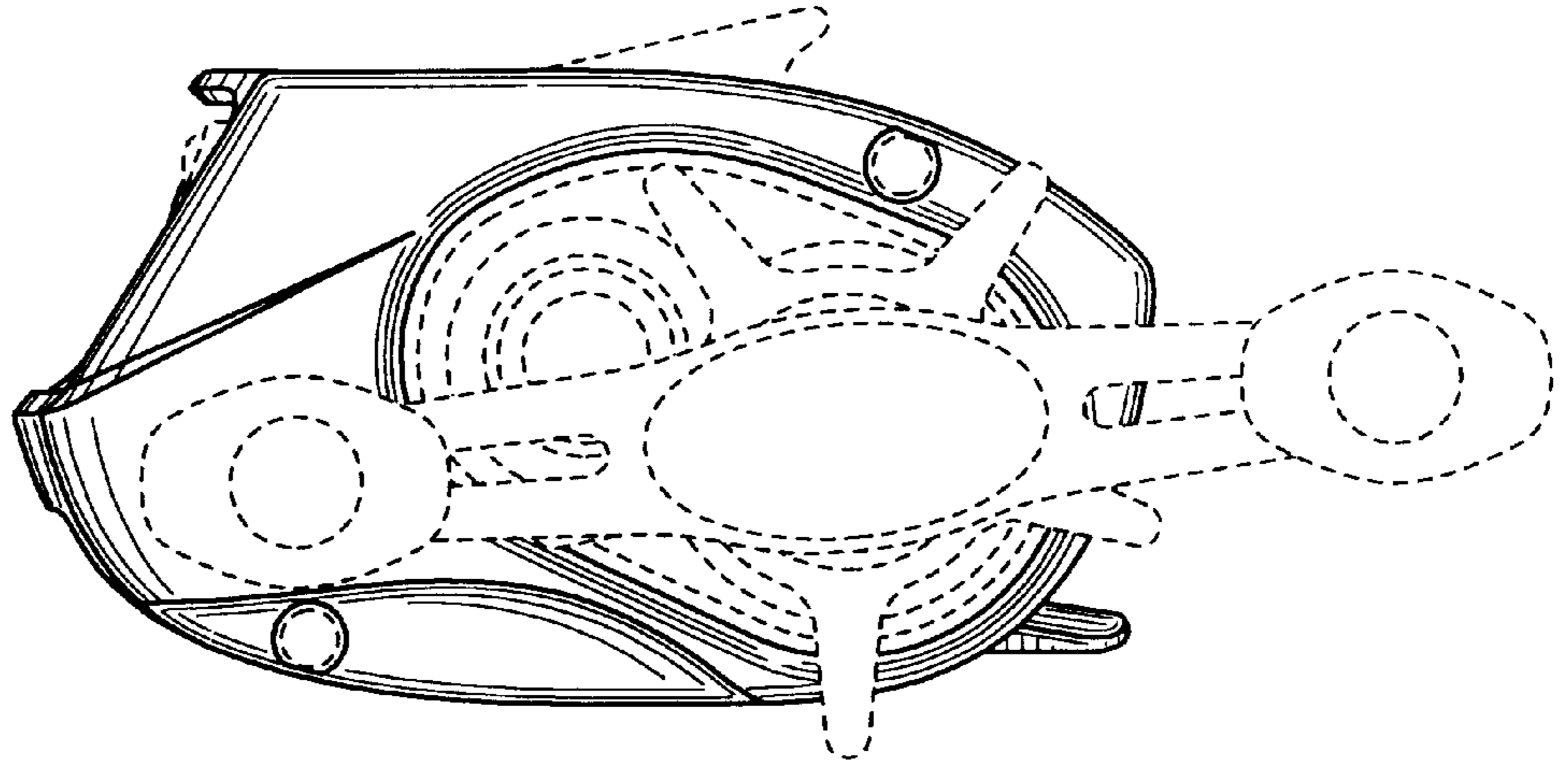


FIG. 8

