



US00D436153S

(12) **United States Design Patent**  
**Luedke et al.**

(10) **Patent No.:** **US D436,153 S**

(45) **Date of Patent:** **\*\* Jan. 9, 2001**

(54) **KICK-BOXING EXERCISE DEVICE**

5,281,191 \* 1/1994 DeSousa ..... 482/83

(76) Inventors: **Adani A. Luedke**, 8273 Stockbridge Cir., Eden Prairie, MN (US) 55344; **Louis F. Polk, III**, 4740 Lodge La., Excelsior, MN (US) 55331; **Kim M. Parmater**, 15230 Highland Bluff, Minnetonka, MN (US) 55345

\* cited by examiner

*Primary Examiner*—Richelle Shelton  
(74) *Attorney, Agent, or Firm*—Sand & Sebolt

(\*\*) Term: **14 Years**

(57) **CLAIM**

The ornamental design for a kick-boxing exercise device, as shown and described.

(21) Appl. No.: **29/102,777**

**DESCRIPTION**

(22) Filed: **Mar. 31, 1999**

**Related U.S. Application Data**

FIG. 1 is a perspective view of a kick-boxing exercise device shown supported on a support base pictured in dot-lines; FIG. 2 is a front elevational view of the kick-boxing exercise device of FIG. 1;

(63) Continuation-in-part of application No. 29/087,679, filed on May 7, 1998, now Pat. No. Des. 410,986.

FIG. 3 is a right side elevational view of the kick boxing exercise device of FIG. 1, the left side being a mirror image thereof;

(51) **LOC (7) Cl.** ..... **21-02**

(52) **U.S. Cl.** ..... **D21/798; D21/623**

FIG. 4 is a rear elevational view of the kick-boxing exercise device of FIG. 1;

(58) **Field of Search** ..... D21/578, 585, D21/621-623, 631, 635, 698, 787, 798; D20/30; D19/62; 482/83, 87; 473/422, 444; 434/247

FIG. 5 is a top view of the kick-boxing exercise device of FIG. 1; and,

FIG. 6 is a bottom view of the kick boxing exercise device of FIG. 1.

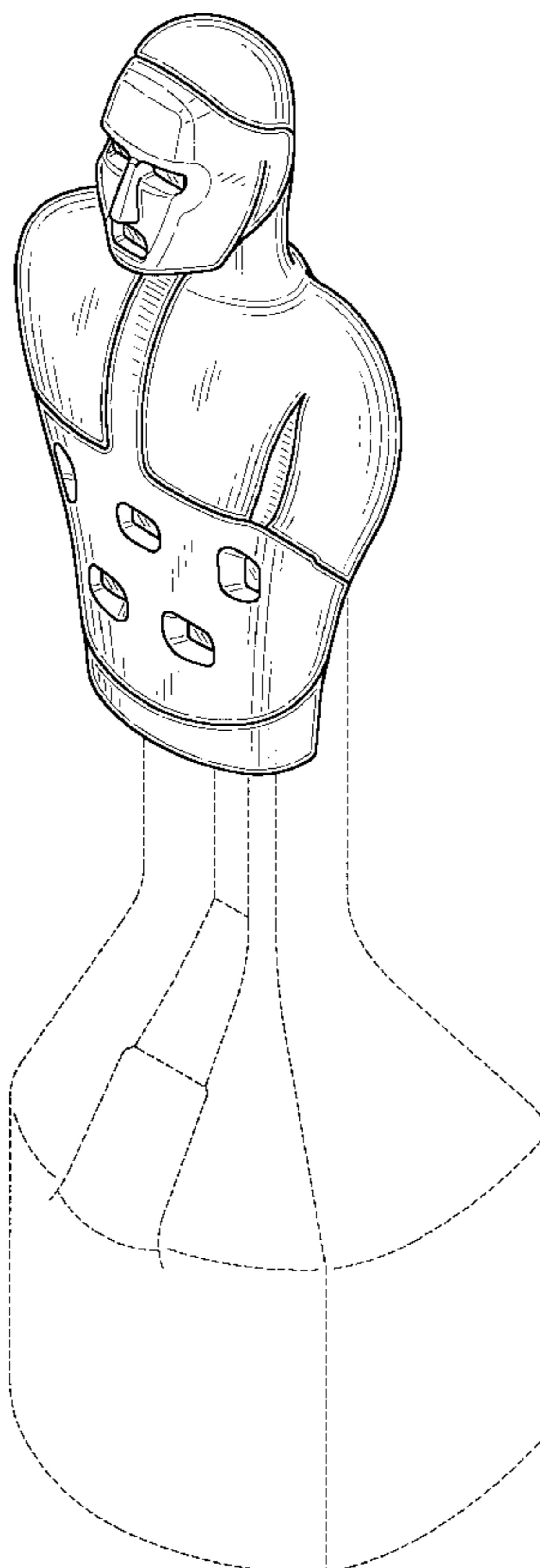
(56) **References Cited**

The broken line showing in FIGS. 1-6 is for illustrative purposes only and forms no part of the claimed design.

**U.S. PATENT DOCUMENTS**

D. 415,200 \* 10/1999 Carpenter et al. .... D19/62

**1 Claim, 3 Drawing Sheets**



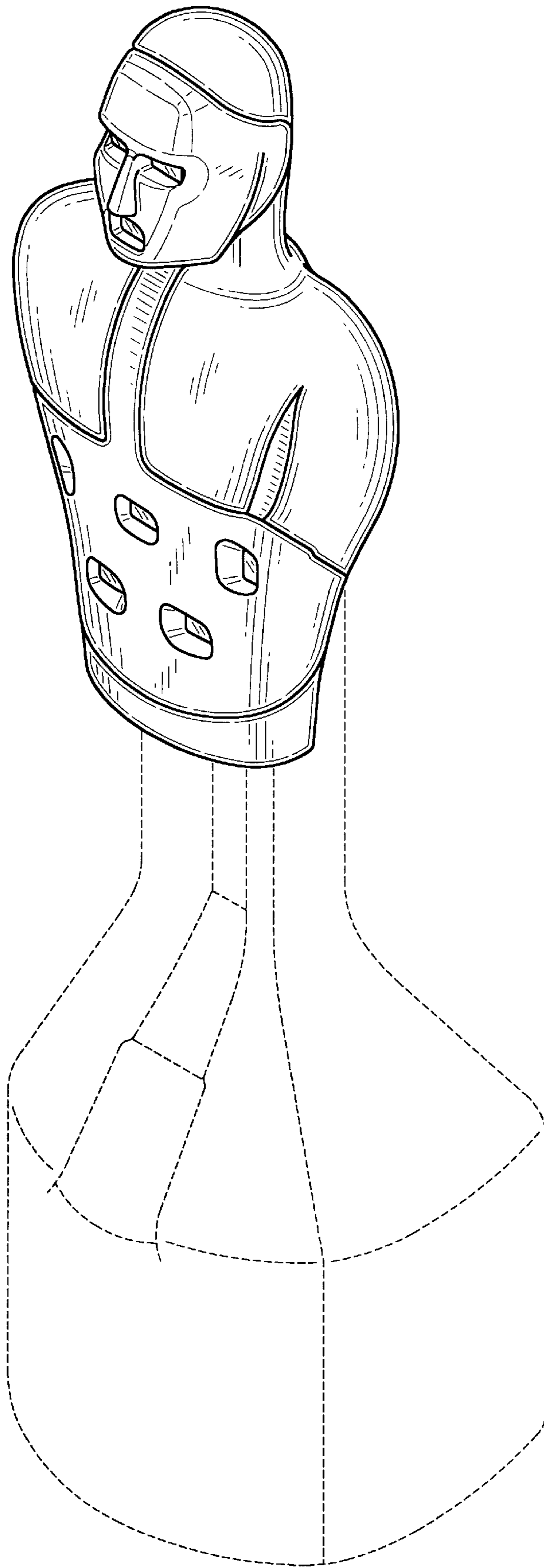


FIG-1

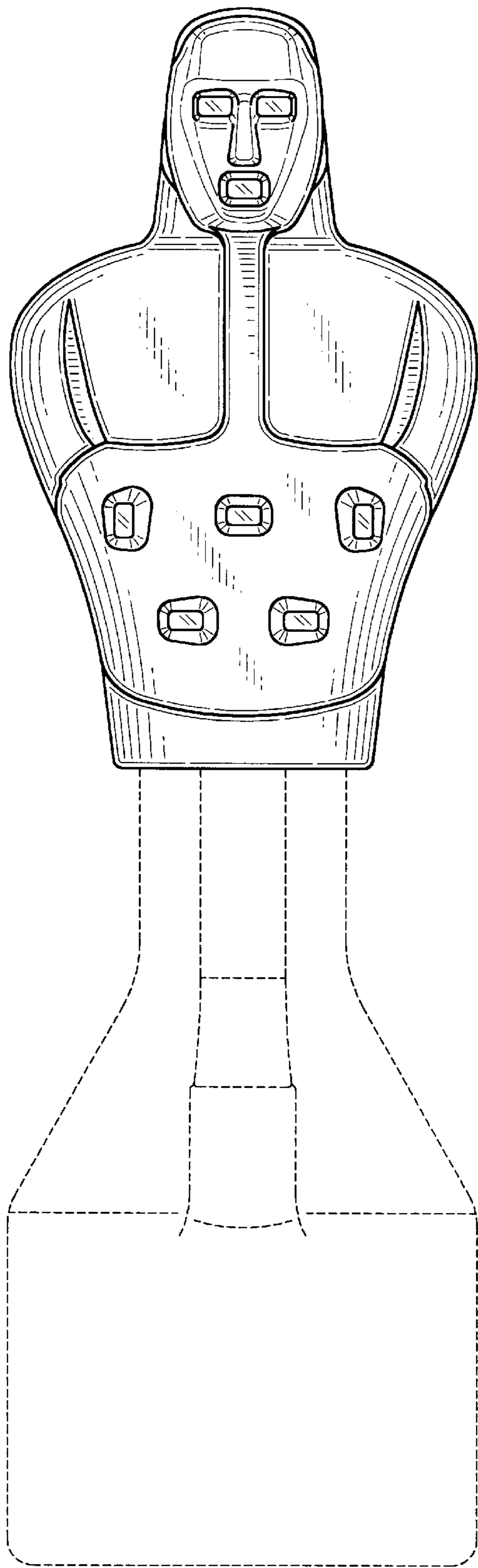


FIG-2

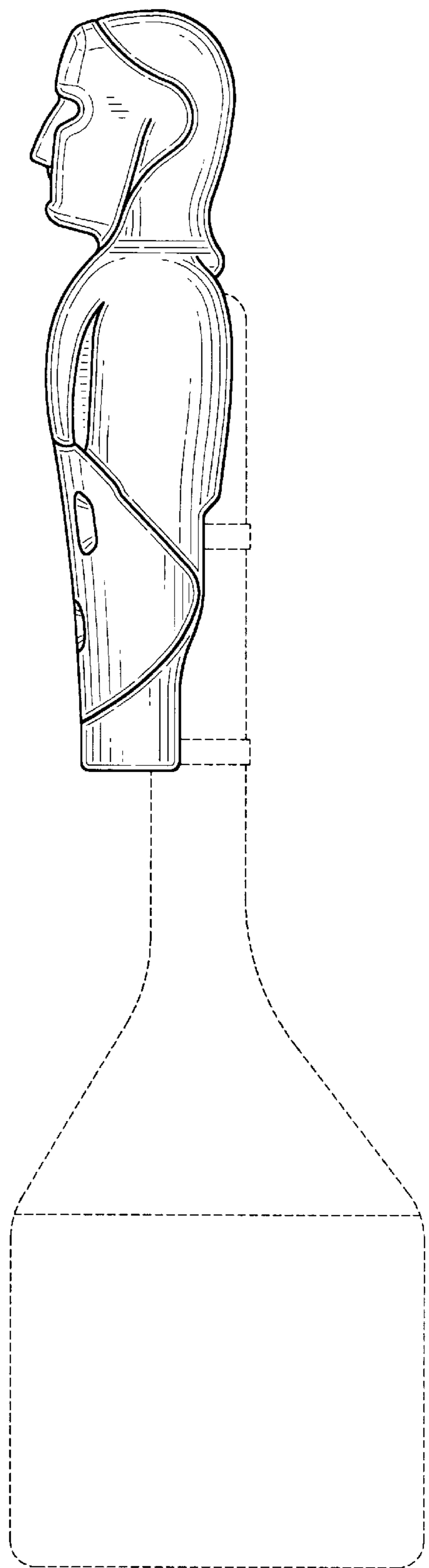
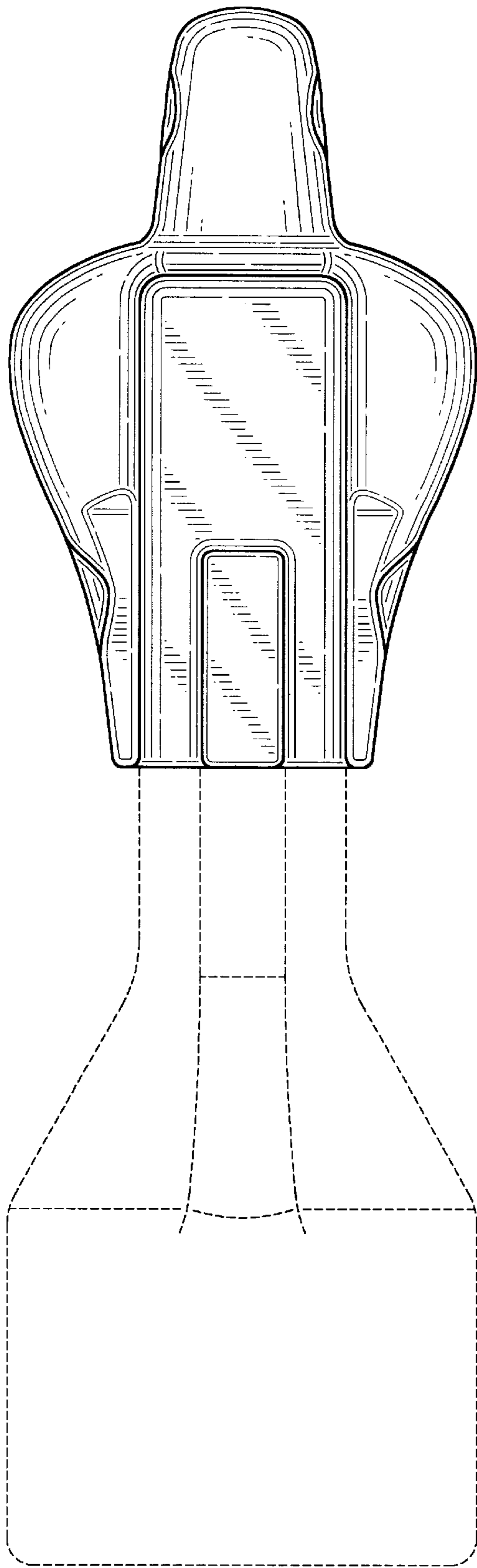
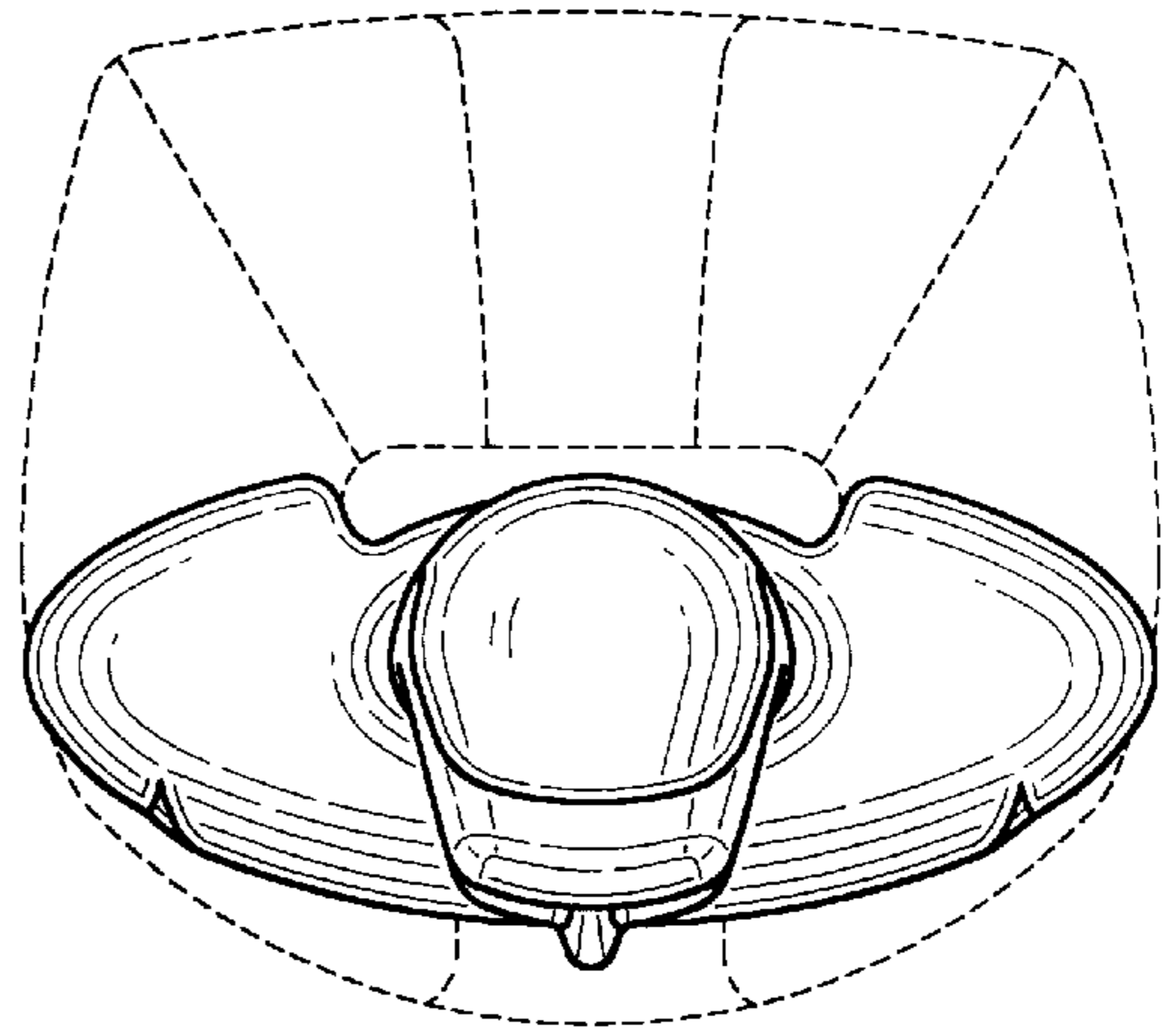


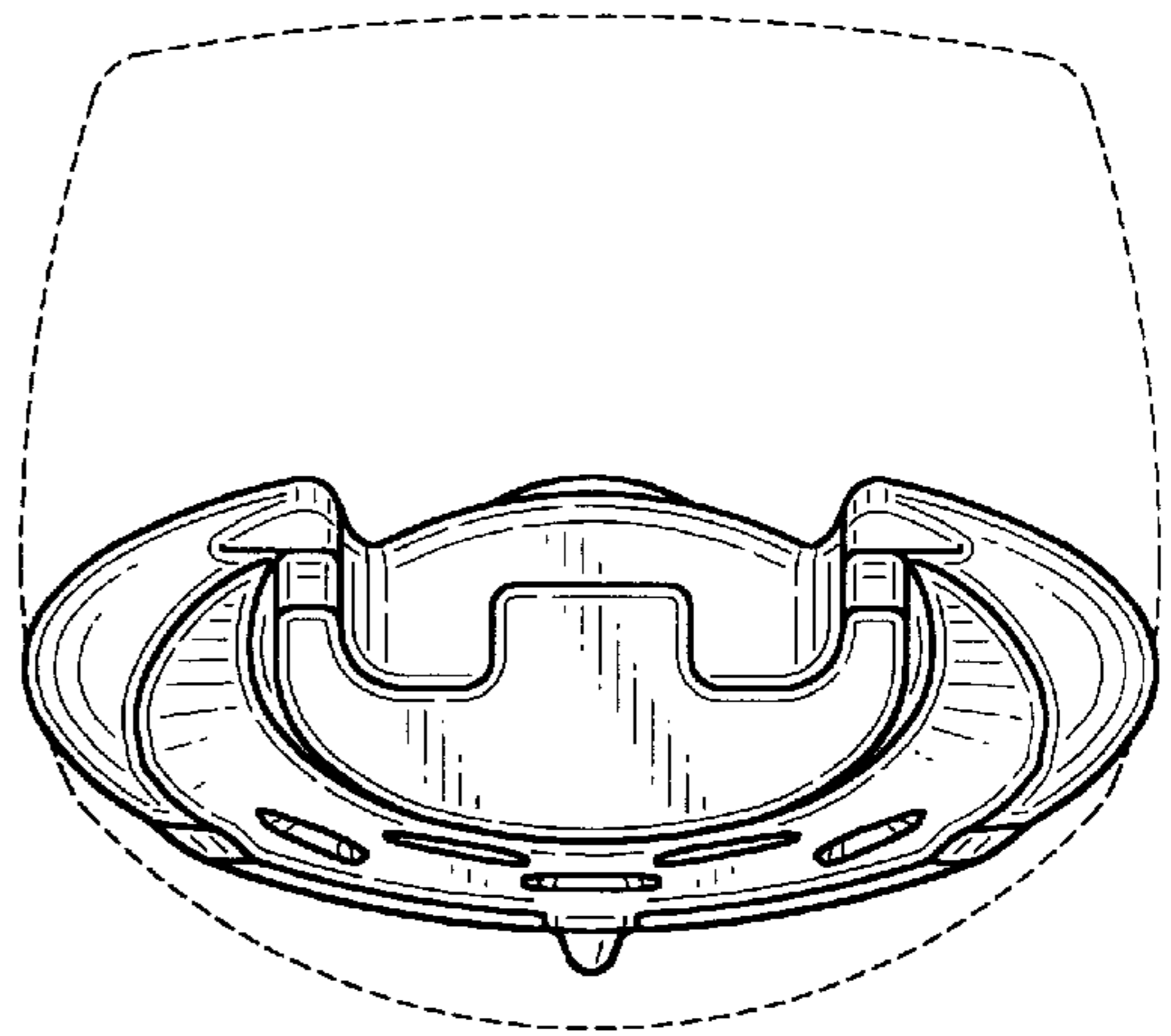
FIG-3



**FIG-4**



**FIG-5**



**FIG-6**