



US00D436149S

(12) **United States Design Patent**
Helmstetter et al.

(10) **Patent No.:** **US D436,149 S**
(45) **Date of Patent:** **** Jan. 9, 2001**

(54) **IRON GOLF CLUB HEAD**
(75) Inventors: **Richard C. Helmstetter**, Rancho Santa Fe; **Joel B. Erickson**, Carlsbad, both of CA (US)
(73) Assignee: **Callaway Golf Company**, Carlsbad, CA (US)
(**) Term: **14 Years**
(21) Appl. No.: **29/117,344**
(22) Filed: **Jan. 20, 2000**

4,690,408 9/1987 Kobayashi .
4,754,977 7/1988 Sahn .
4,792,140 12/1988 Yamaguchi et al. .
4,793,616 12/1988 Fernandez .
4,826,172 5/1989 Antonious .
4,836,550 6/1989 Kobayashi .
4,852,880 8/1989 Kobayashi .
4,941,666 7/1990 Suganuma .
4,944,515 7/1990 Shearer .
4,964,640 10/1990 Nakanishi et al. .
4,964,641 10/1990 Miesch et al. .
4,988,104 1/1991 Shiotani et al. .
5,048,834 * 9/1991 Gorman 473/350
5,050,879 9/1991 Sun et al. .
5,078,397 1/1992 Aizawa .
5,080,366 1/1992 Okumoto et al. .
5,104,457 4/1992 Viljoen et al. .

Related U.S. Application Data

(62) Division of application No. 29/106,246, filed on Jun. 11, 1999.
(51) **LOC (7) Cl.** **21-02**
(52) **U.S. Cl.** **D21/748**
(58) **Field of Search** D21/747-751;
473/324, 327, 329, 330, 331, 350

(List continued on next page.)

FOREIGN PATENT DOCUMENTS

1387955 1/1976 (GB) .
62-097570 5/1987 (JP) .
62-097571 5/1987 (JP) .
404341281 11/1992 (JP) .
406091021 4/1994 (JP) .

(56) **References Cited**

U.S. PATENT DOCUMENTS

D. 228,355 * 9/1973 Penna D21/749
D. 417,248 * 11/1999 Matsuo D21/748
D. 422,043 * 3/2000 Kubica et al. D21/747
D. 429,299 * 8/2000 Kubica et al. D21/748
D. 429,511 * 8/2000 Adams et al. D21/747
722,011 3/1903 Govan .
1,133,129 3/1915 Govan .
1,678,637 7/1928 Drevitson .
1,968,627 7/1934 Young .
2,360,364 10/1944 Reach .
2,774,600 12/1956 Reach .
2,846,228 8/1958 Reach .
3,250,536 5/1966 Moser .
3,847,399 11/1974 Raymont .
3,961,796 6/1976 Thompson .
3,995,865 12/1976 Cochran et al. .
4,145,052 3/1979 Janssen et al. .
4,326,326 4/1982 MacDonald .
4,340,230 7/1982 Churchward .

Primary Examiner—Mitchell Siegel
(74) *Attorney, Agent, or Firm*—Michael A. Catania

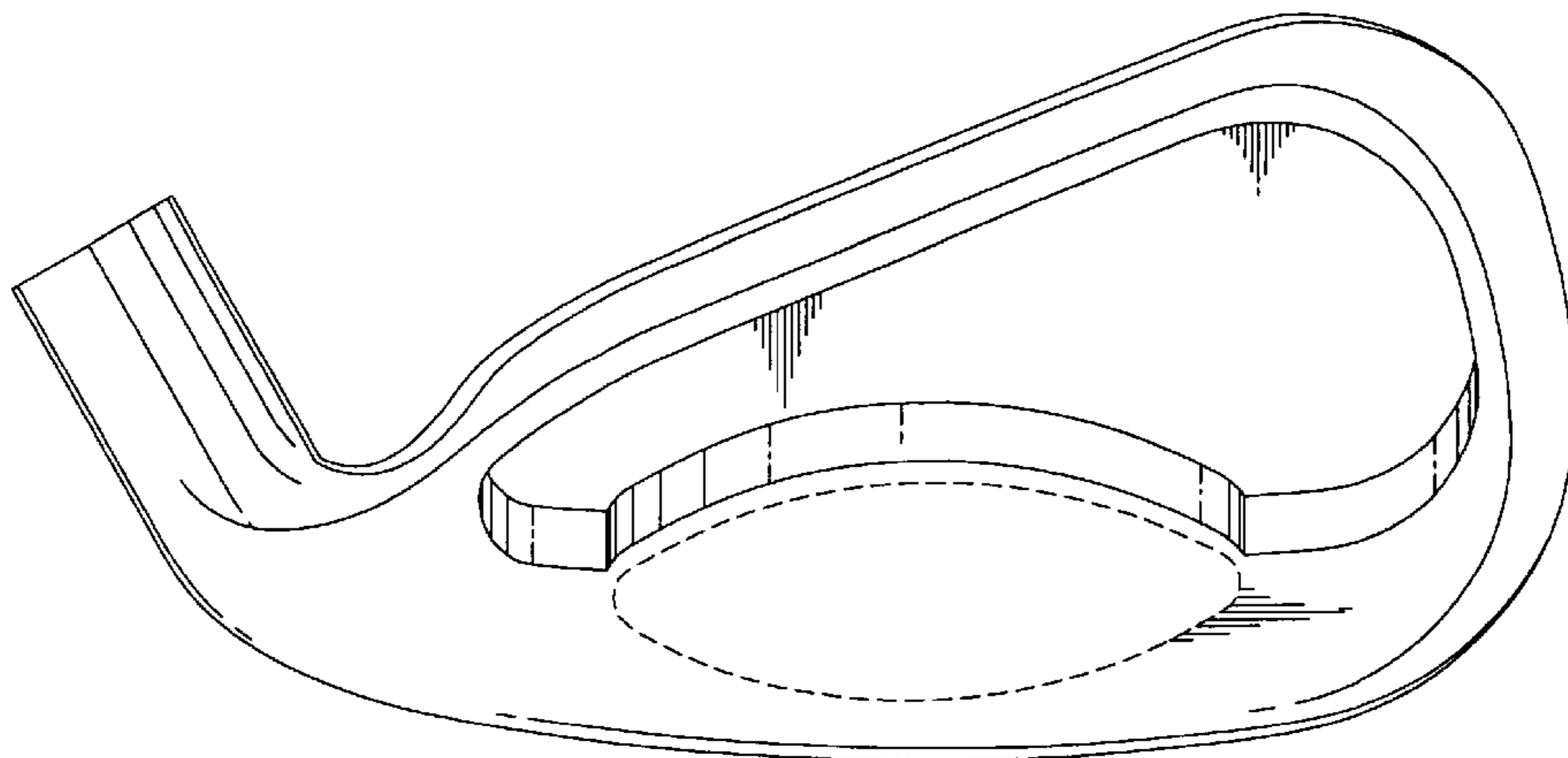
(57) **CLAIM**

The ornamental design for an iron golf club head, as shown and described.

DESCRIPTION

FIG. 1 is a perspective view of an iron golf club head;
FIG. 2 is a front view thereof;
FIG. 3 is a rear view thereof;
FIG. 4 is a top plan view thereof;
FIG. 5 is a bottom plan view thereof;
FIG. 6 is a toe end view thereof; and,
FIG. 7 is a heel end view thereof.
The broken line showing is for illustrative purposes only and forms no part of the claimed design.

1 Claim, 3 Drawing Sheets



US D436,149 S

Page 2

U.S. PATENT DOCUMENTS

5,120,062	6/1992	Scheie et al. .	5,497,993	3/1996	Shan .
5,143,571	9/1992	Lacoste et al. .	5,509,659	4/1996	Igarashi .
5,190,290	3/1993	Take .	5,516,107	5/1996	Okumoto et al. .
5,193,811	3/1993	Okumoto et al. .	5,522,593	6/1996	Kobayashi et al. .
5,198,062	3/1993	Chen .	5,564,705	10/1996	Kobayashi et al. .
5,221,087	6/1993	Fenton et al. .	5,570,886	11/1996	Rigal et al. .
5,228,694	7/1993	Okumoto et al. .	5,588,923	12/1996	Schmidt et al. .
5,261,478	11/1993	Sun .	5,590,881	1/1997	Jernigan .
5,271,227	12/1993	Shira .	5,595,548	1/1997	Beck .
5,282,625	2/1994	Schmidt et al. .	5,601,501	2/1997	Kobayashi .
5,290,036	3/1994	Fenton et al. .	5,603,668	2/1997	Antonious .
5,312,106	5/1994	Cook .	5,611,742	3/1997	Kobayashi .
5,333,872	8/1994	Manning et al. .	5,626,530	5/1997	Schmidt et al. .
5,342,812	8/1994	Niskanen et al. .	5,643,111	7/1997	Igarashi .
5,354,059	10/1994	Stuff .	5,655,976	8/1997	Rife .
5,380,010	1/1995	Werner et al. .	5,658,208	8/1997	Shimasaki .
5,385,348	1/1995	Wargo .	5,658,209 *	8/1997	Biakemon 473/350
5,405,137	4/1995	Vincent et al. .	5,665,013	9/1997	Kobayashi .
5,421,577	6/1995	Kobayashi .	5,669,826	9/1997	Chang et al. .
5,425,535	6/1995	Gee .	5,674,133	10/1997	Change et al. .
5,431,401	7/1995	Smith .	5,676,605	10/1997	Kobayashi .
5,435,551	7/1995	Chen .	5,676,606	10/1997	Schaeffer et al. .
5,439,223	8/1995	Kobayashi .	5,681,227	10/1997	Sayrizi .
5,447,311	9/1995	Viollaz et al. .	5,704,850	1/1998	Shieh .
5,464,218	11/1995	Schmidt et al. .	5,749,794	5/1998	Kobayashi et al. .
5,472,203	12/1995	Schmidt et al. .	5,749,795	5/1998	Schmidt et al. .
5,474,297	12/1995	Levin .	5,766,091	6/1998	Humphrey et al. .
5,482,279	1/1996	Antonious .	5,766,092	6/1998	Mimeur et al. .
5,489,098	2/1996	Gojny et al. .	5,769,735	6/1998	Hosokawa .
5,492,327	2/1996	Biafore, Jr. .	5,776,010	7/1998	Helmstetter et al. .
5,494,281	2/1996	Chen .			

* cited by examiner

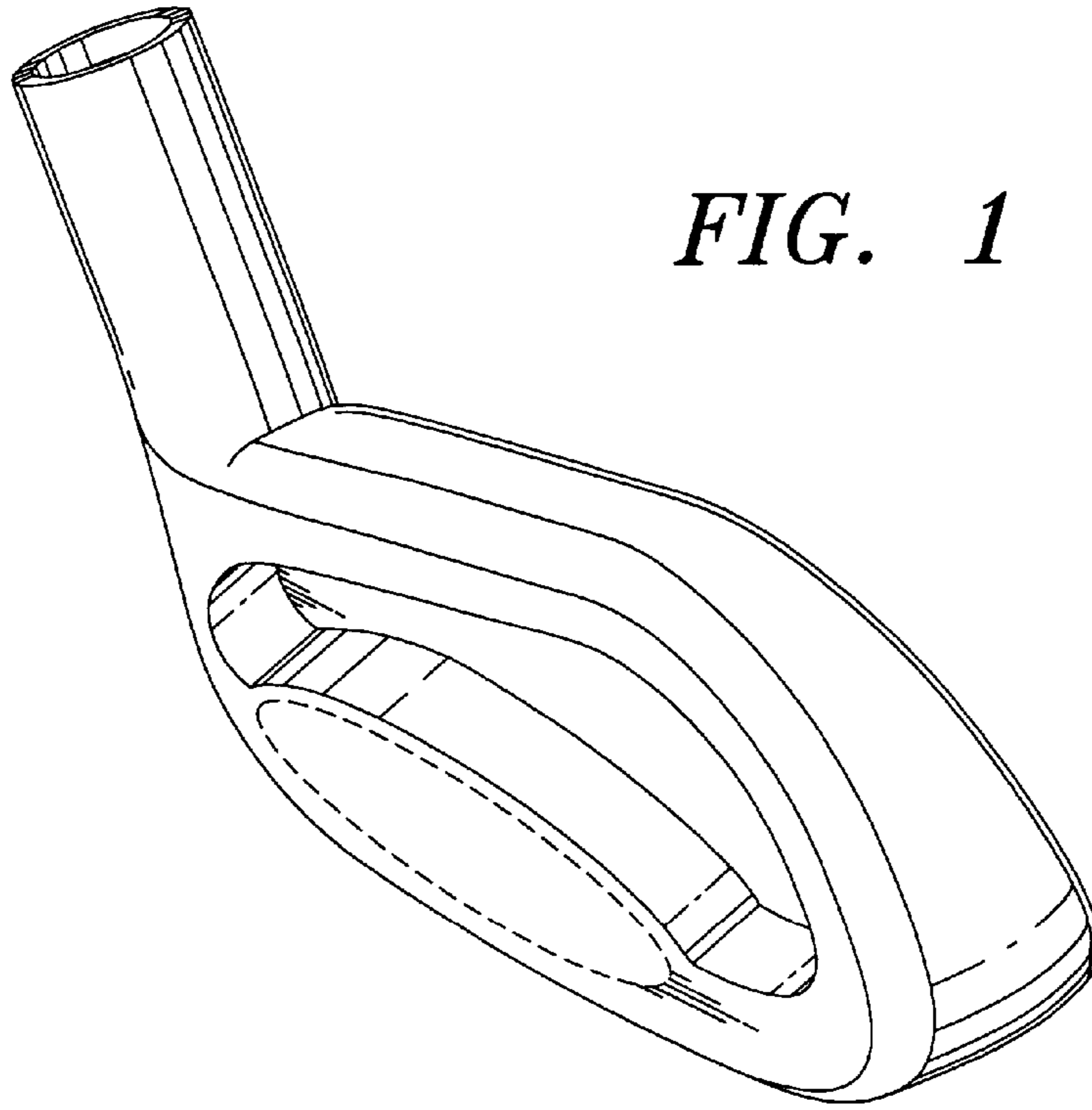


FIG. 1

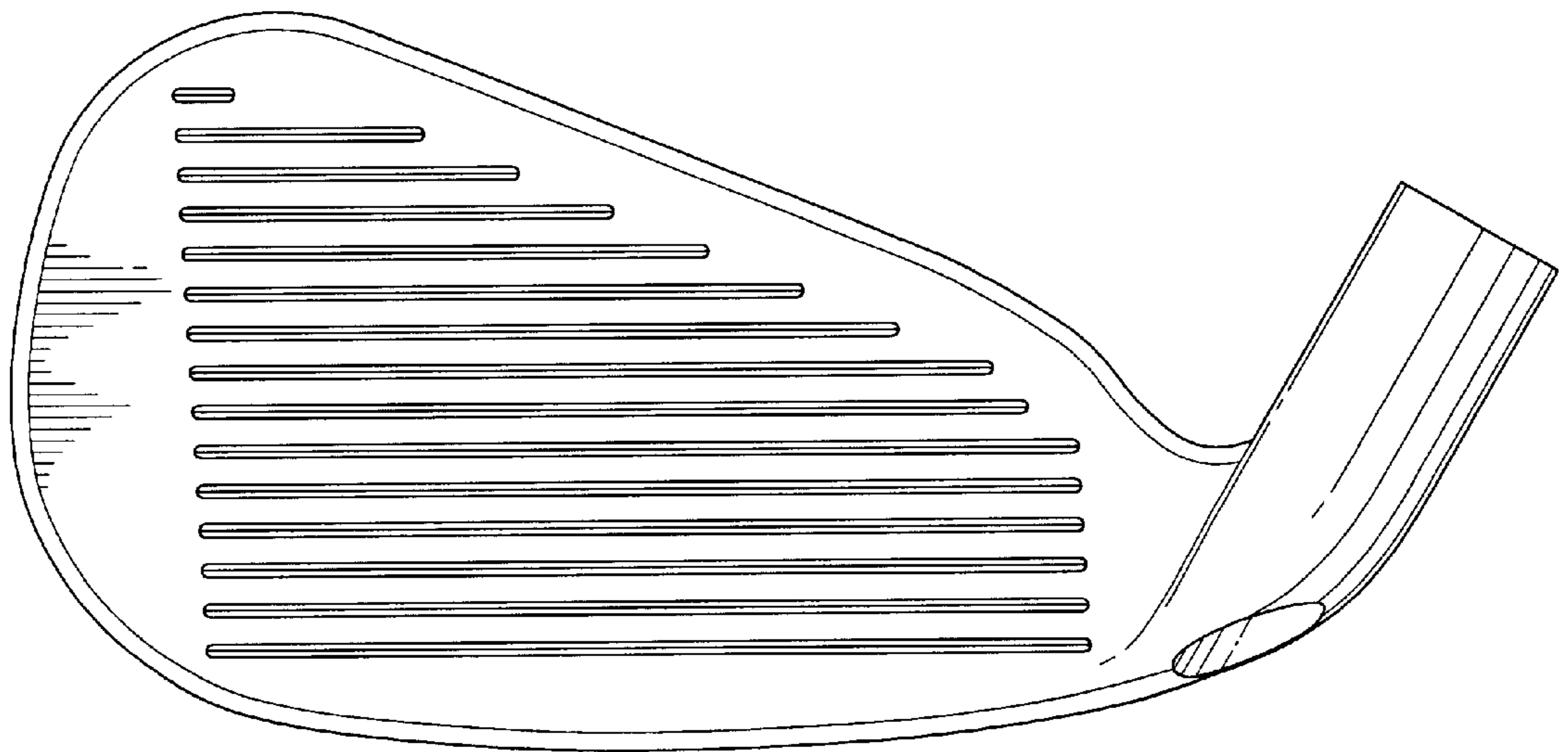


FIG. 2

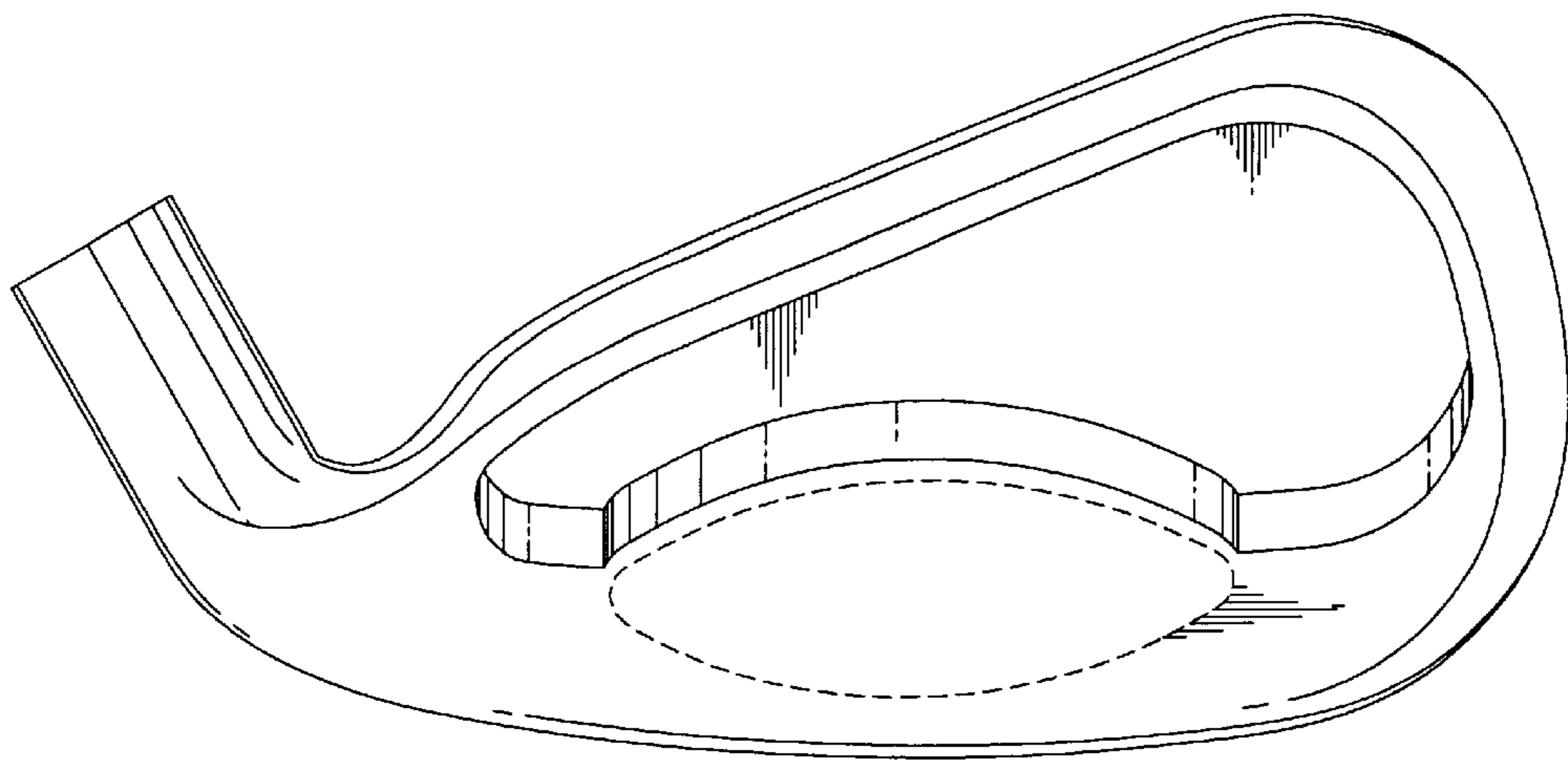


FIG. 3

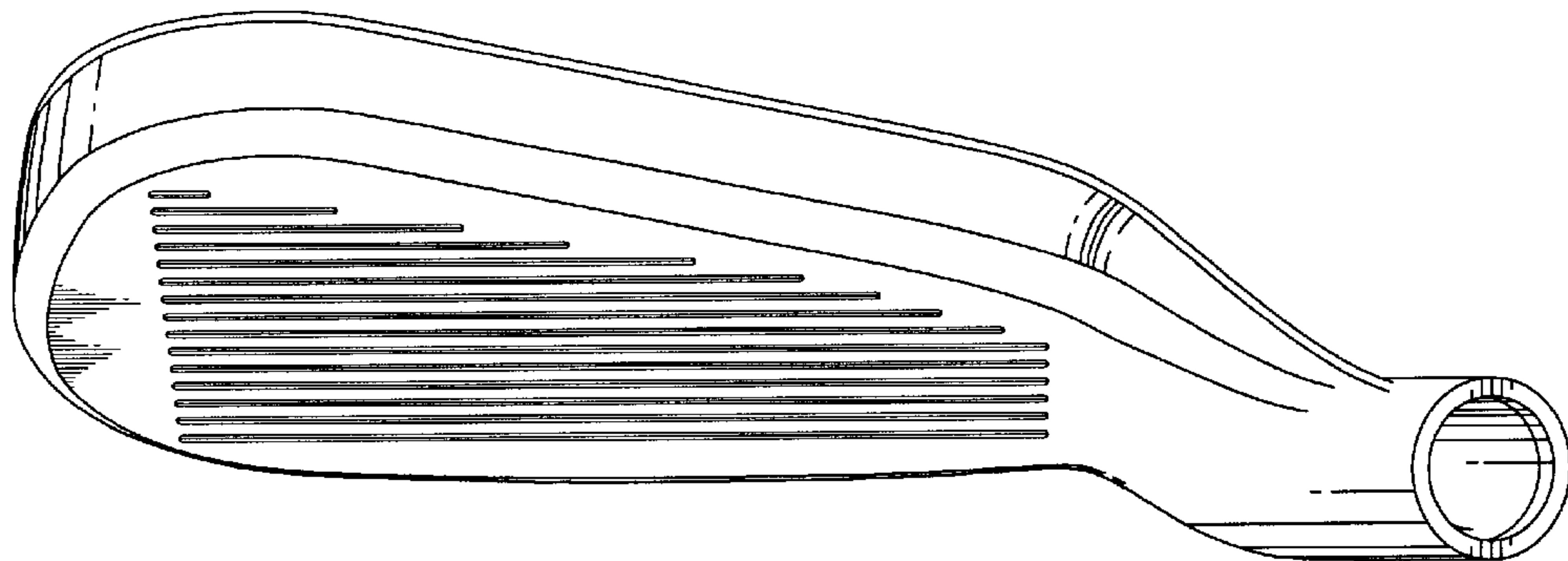


FIG. 4

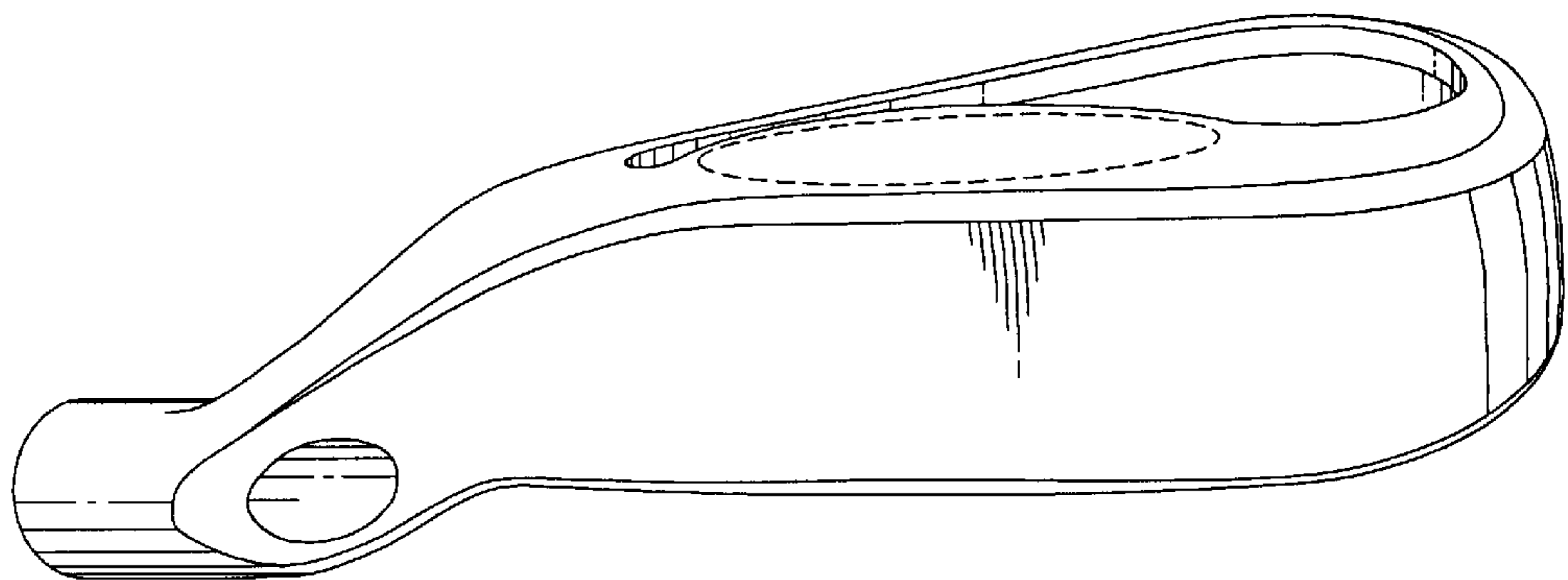


FIG. 5

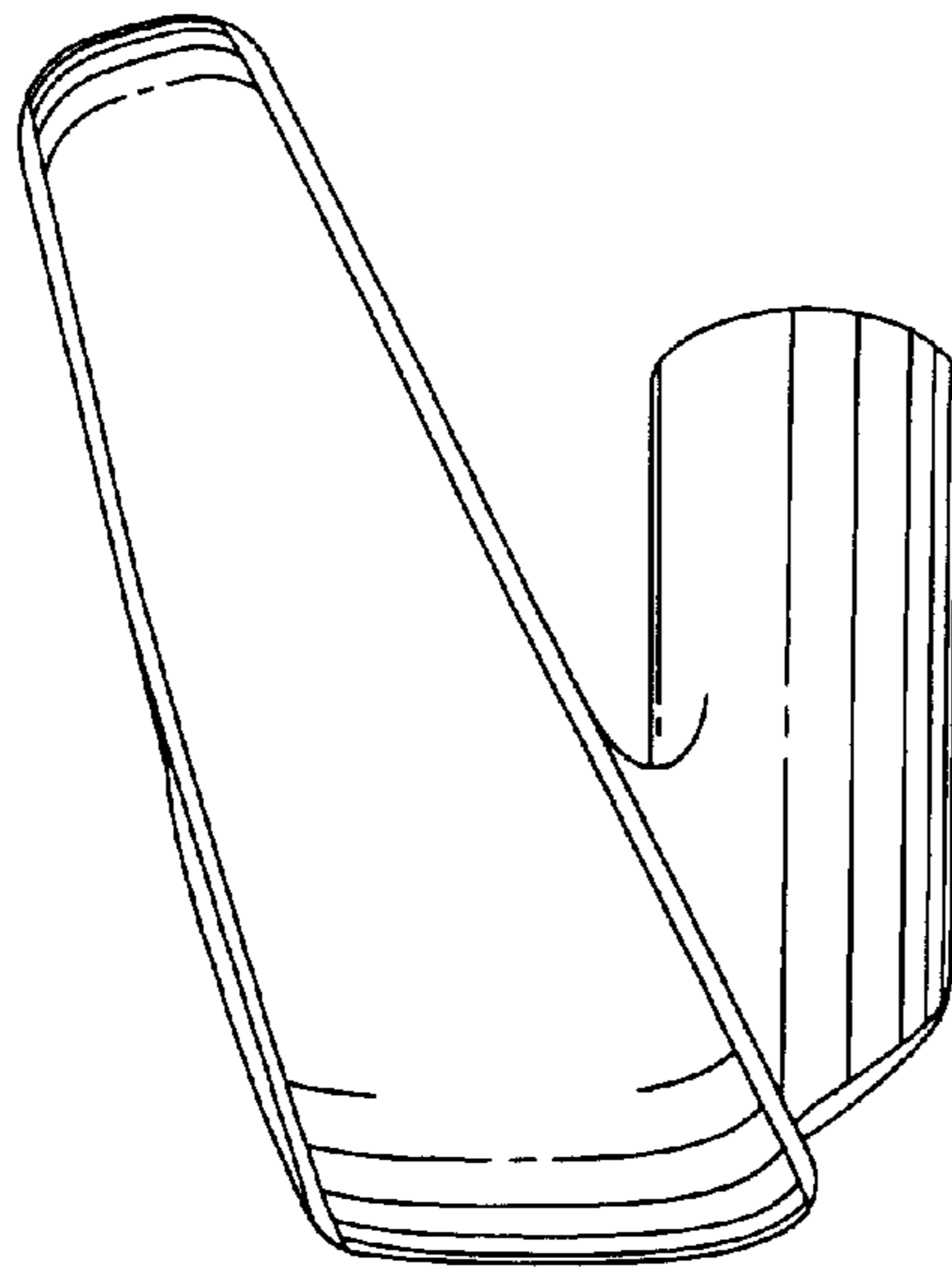


FIG. 6

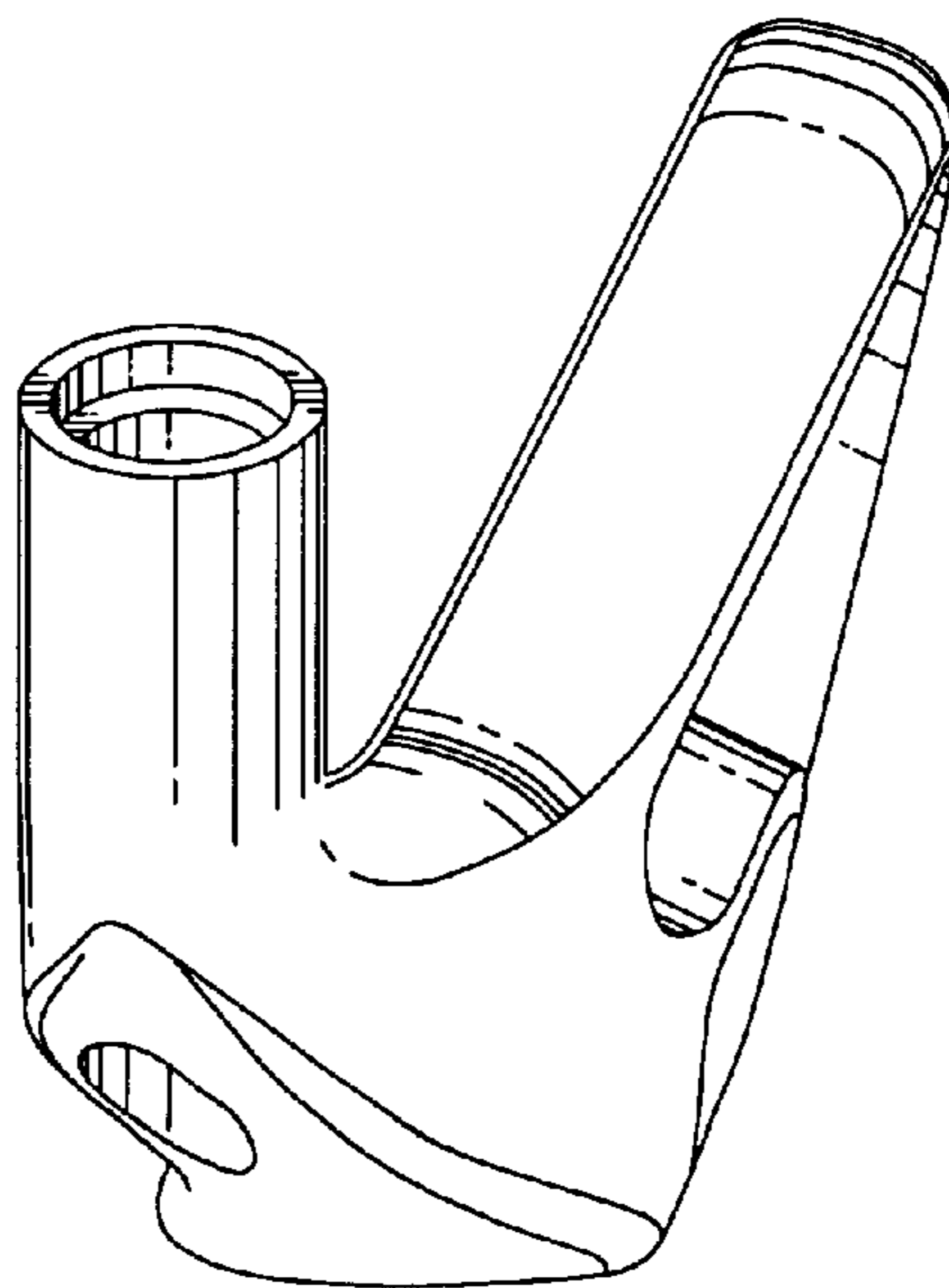


FIG. 7