



US00D436145S

(12) **United States Design Patent**
Chan

(10) **Patent No.:** **US D436,145 S**

(45) **Date of Patent:** **** Jan. 9, 2001**

(54) **TOY VEHICLE**

(75) **Inventor:** **Ho Man Chan, Tsing Yi (CN)**

(73) **Assignee:** **Potex Toys Manufacturer Ltd., Kwai Chung (CN)**

(**) **Term:** **14 Years**

(21) **Appl. No.:** **29/116,858**

(22) **Filed:** **Jan. 11, 2000**

(30) **Foreign Application Priority Data**

Sep. 21, 1999 (HK) 9911252

(51) **LOC (7) Cl.** **21-01**

(52) **U.S. Cl.** **D21/541; D21/533; D21/552; D21/556**

(58) **Field of Search** D21/419-435, D21/533, 540, 541, 548-560, 580; D12/38; 446/410, 467, 425, 426, 427, 470, 471, 71, 78; 104/DIG. 1; 105/1.5, 29.2

(56) **References Cited**

U.S. PATENT DOCUMENTS

- D. 182,120 * 2/1958 Huebner D21/556
- D. 257,362 * 10/1980 Imura D21/541
- D. 262,641 * 1/1982 Saitoh D21/541

- D. 279,305 * 6/1985 Murakami D21/580
- D. 301,264 * 5/1989 Ishizawa D21/580
- D. 322,331 * 12/1991 Tsuji D21/550
- D. 389,534 * 1/1998 Schulz D21/541
- 3,982,459 * 9/1976 Akiyama 446/410

* cited by examiner

Primary Examiner—Raphael Barkai

(74) *Attorney, Agent, or Firm*—Alix, Yale & Ristas, LLP

(57) **CLAIM**

The ornamental design for a toy vehicle, as shown and described.

DESCRIPTION

FIG. 1 is a perspective view of the toy vehicle showing my new design;

FIG. 2 is a perspective view of the toy vehicle of FIG. 1 from a different position and with parts thereof in an alternative position;

FIG. 3 is a left side view of the toy vehicle of FIG. 1;

FIG. 4 is a right side view of the toy vehicle of FIG. 1;

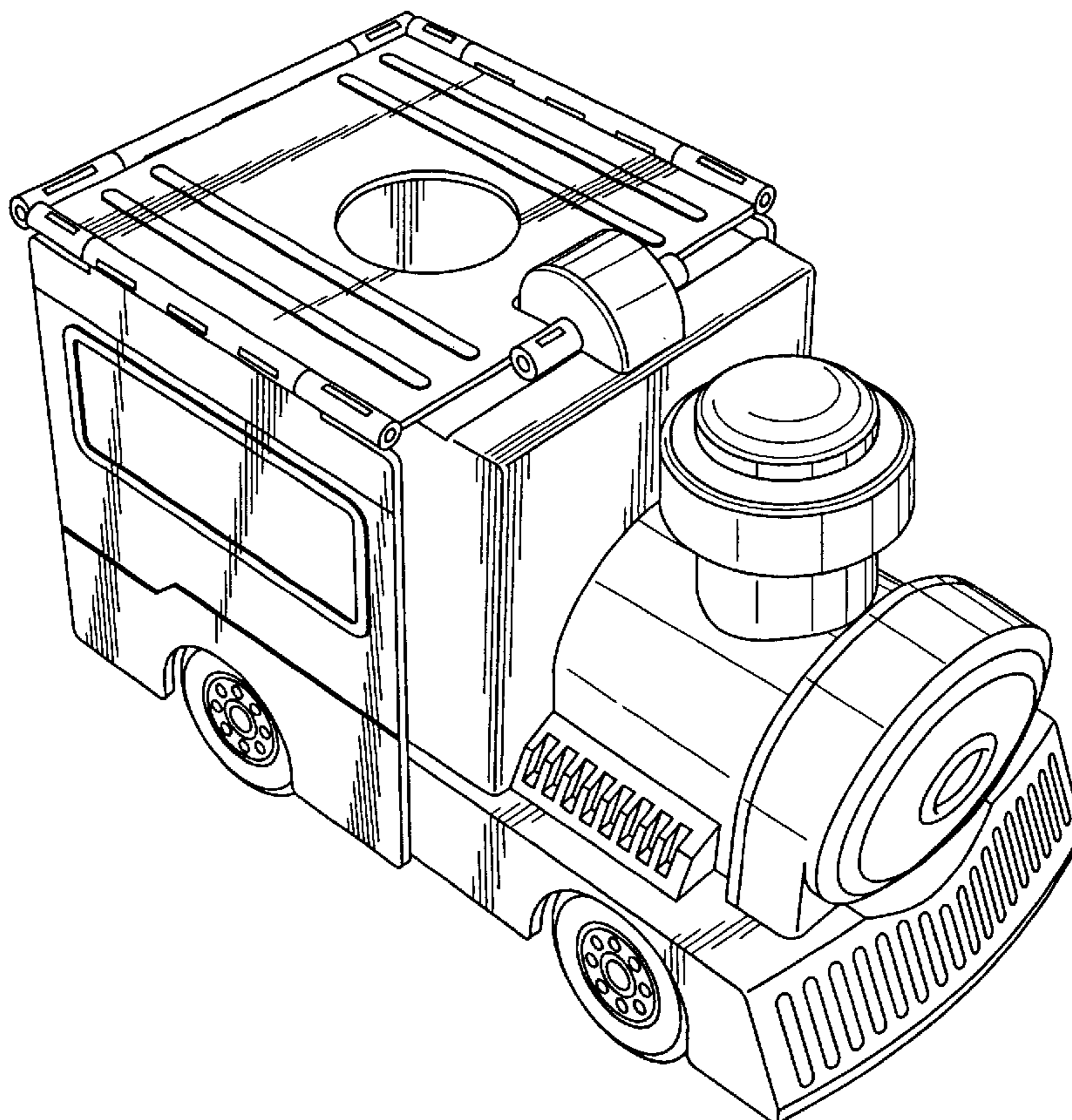
FIG. 5 is a front view of the toy vehicle of FIG. 1;

FIG. 6 is a rear view of the toy vehicle of FIG. 1;

FIG. 7 is a top plan view of the toy vehicle of FIG. 1; and,

FIG. 8 is a bottom plan view of the toy vehicle of FIG. 1.

1 Claim, 5 Drawing Sheets



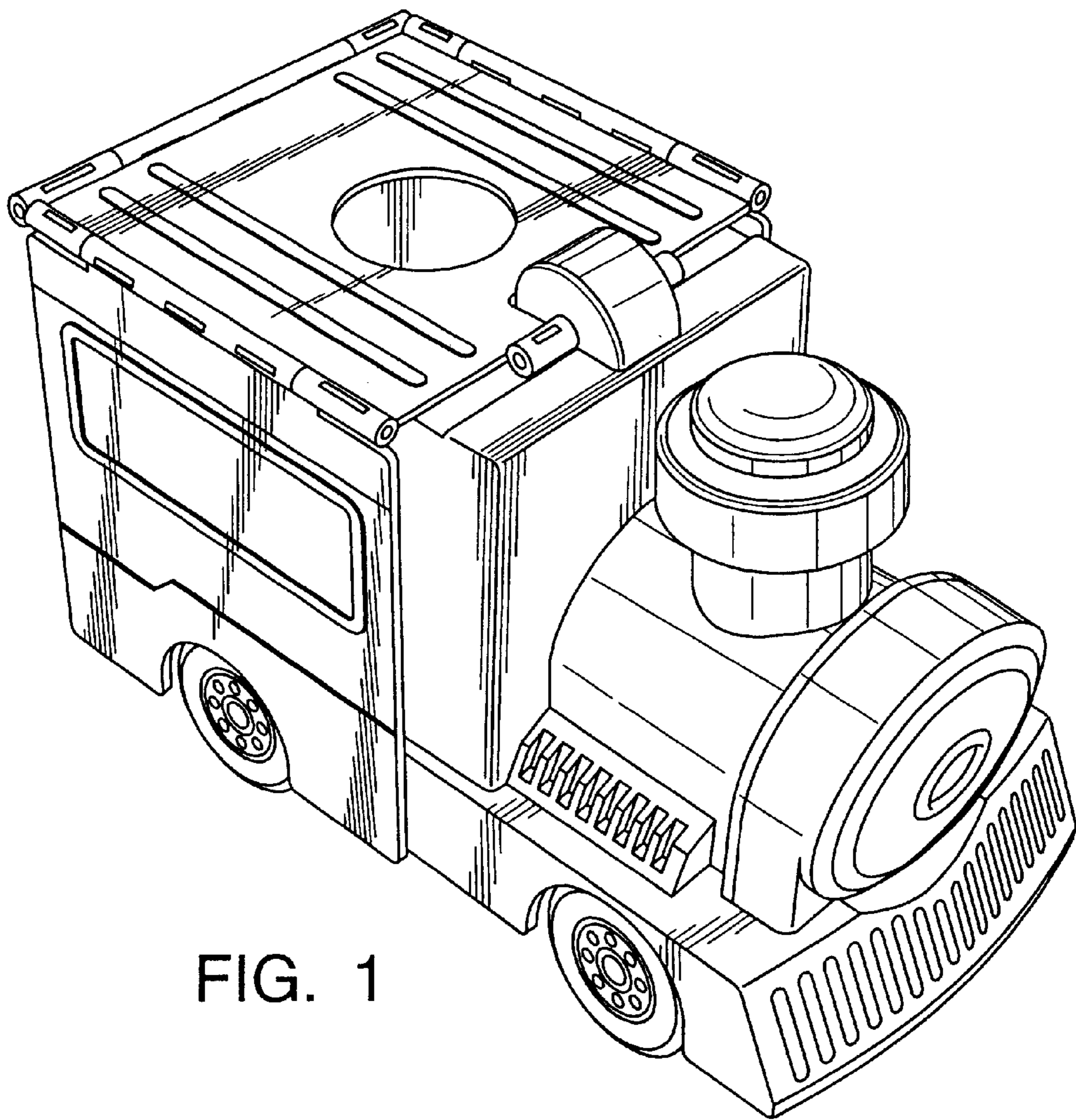


FIG. 1

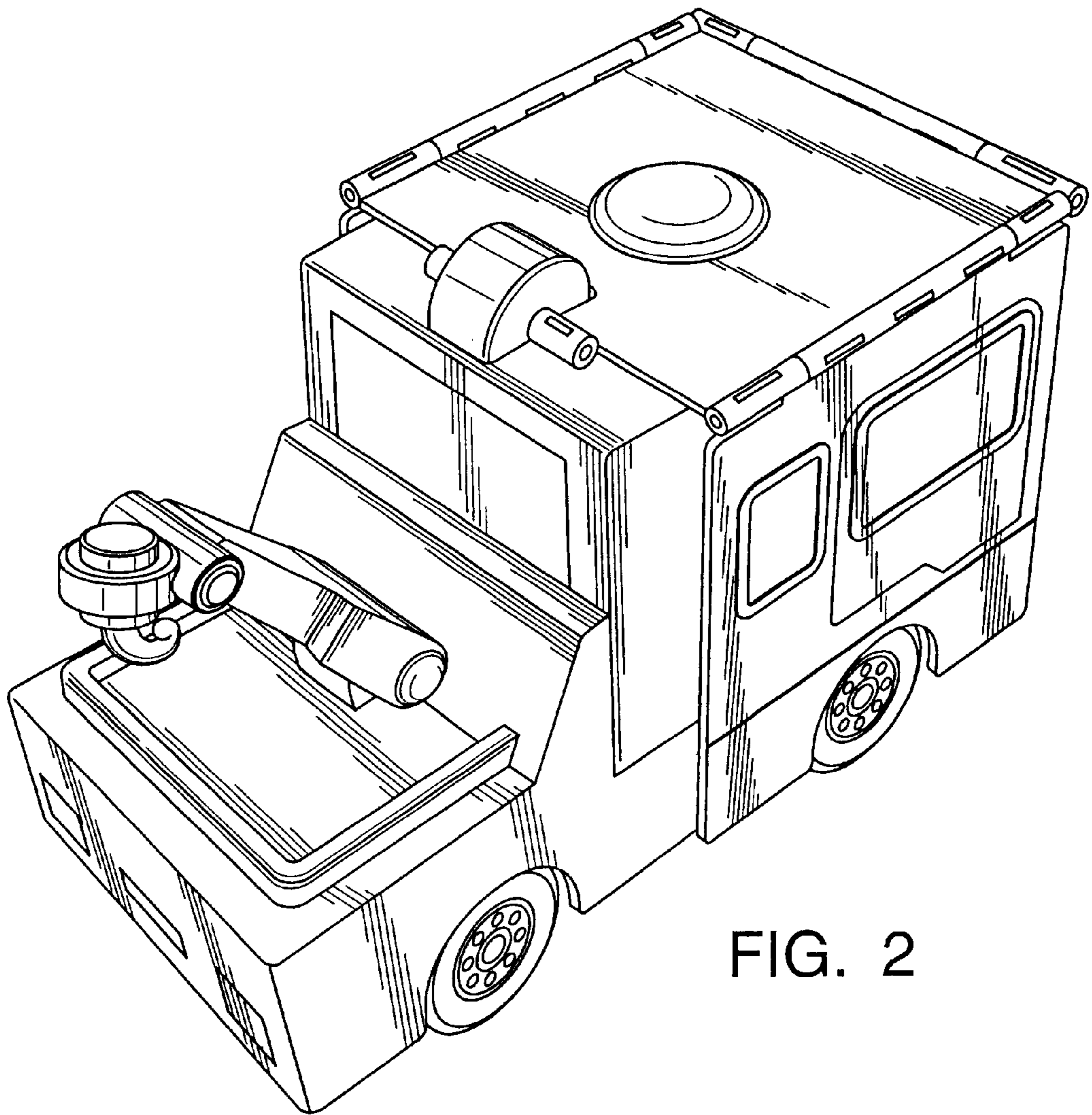


FIG. 2

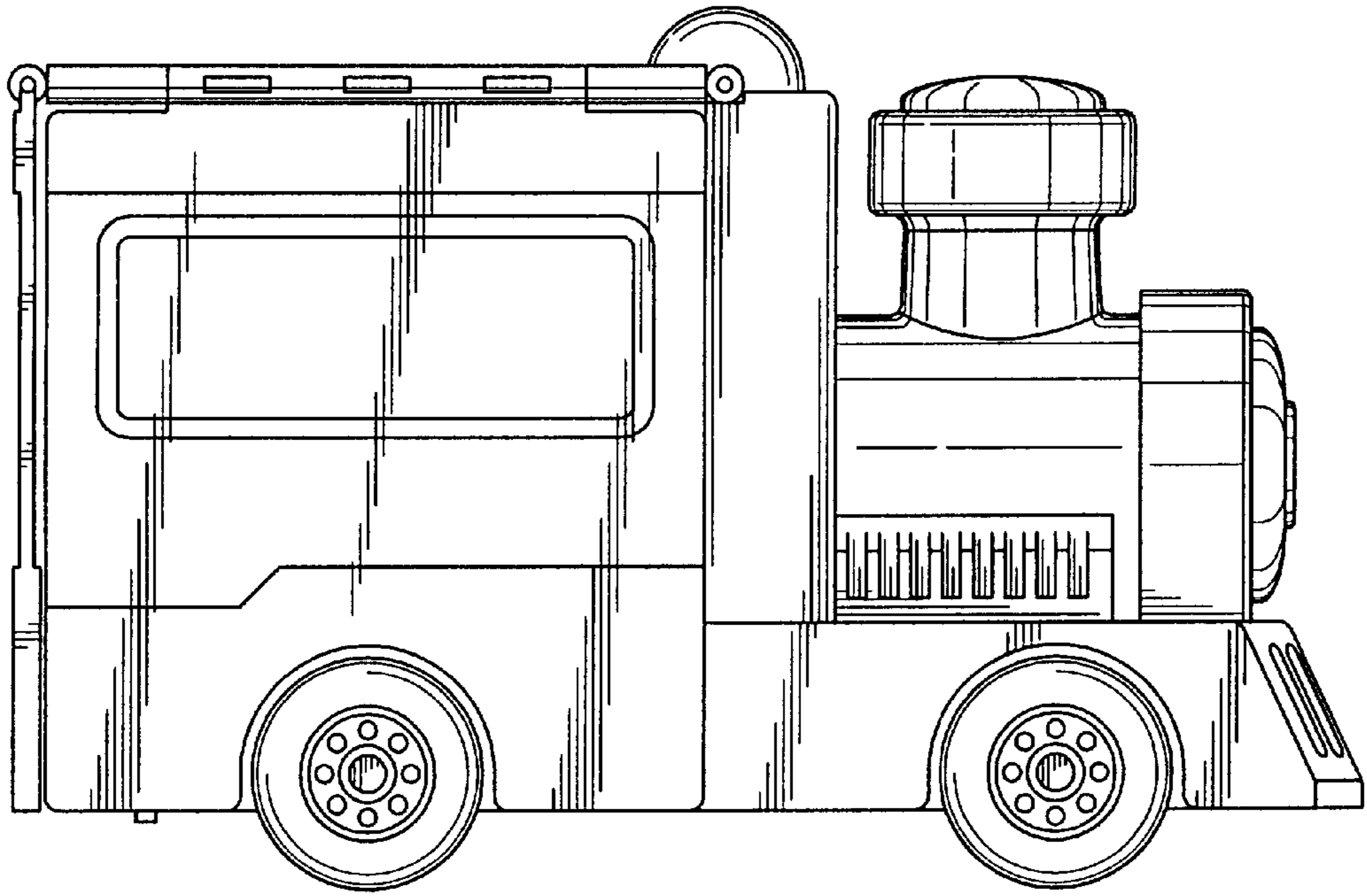


FIG. 3

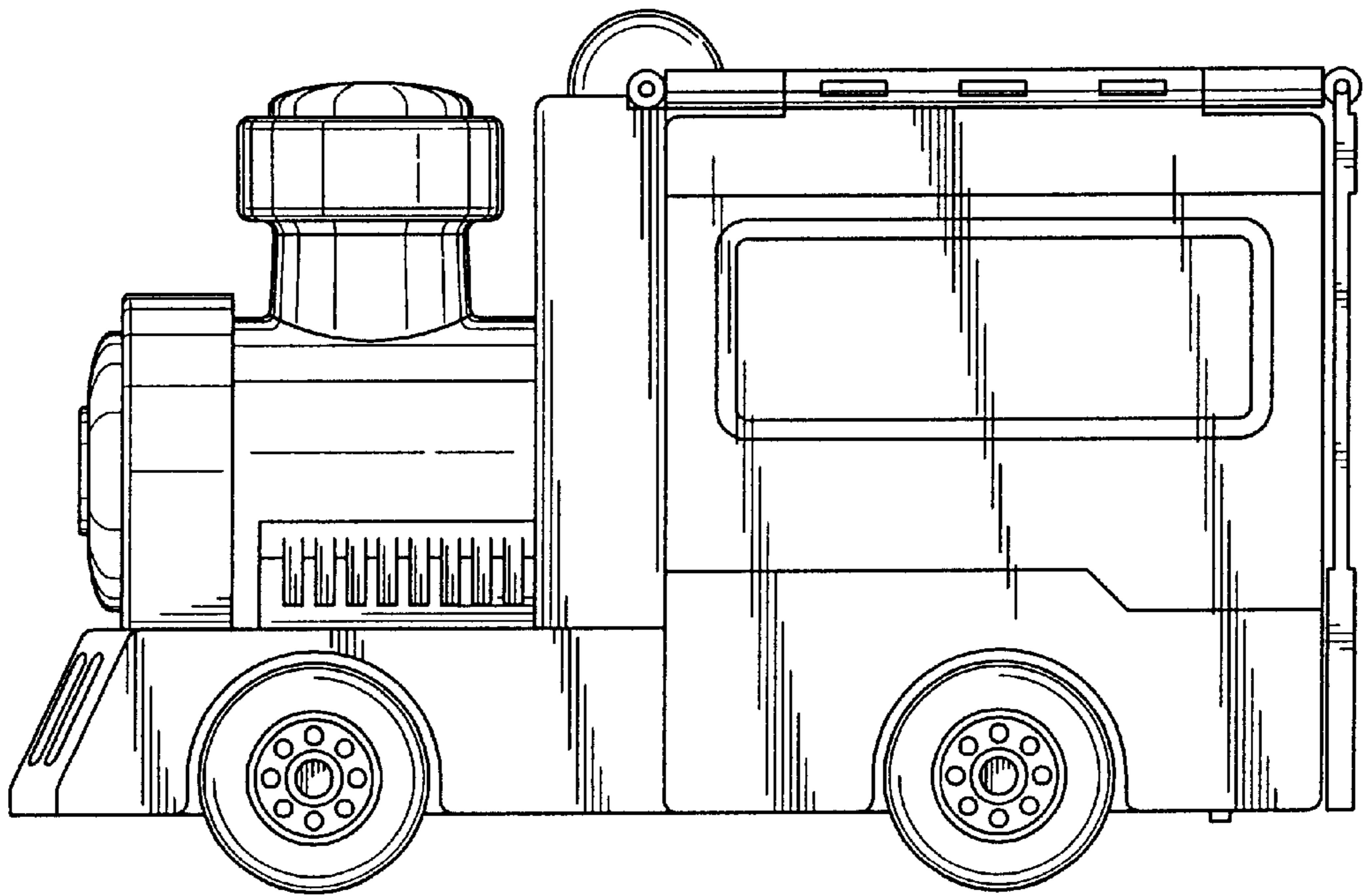


FIG. 4

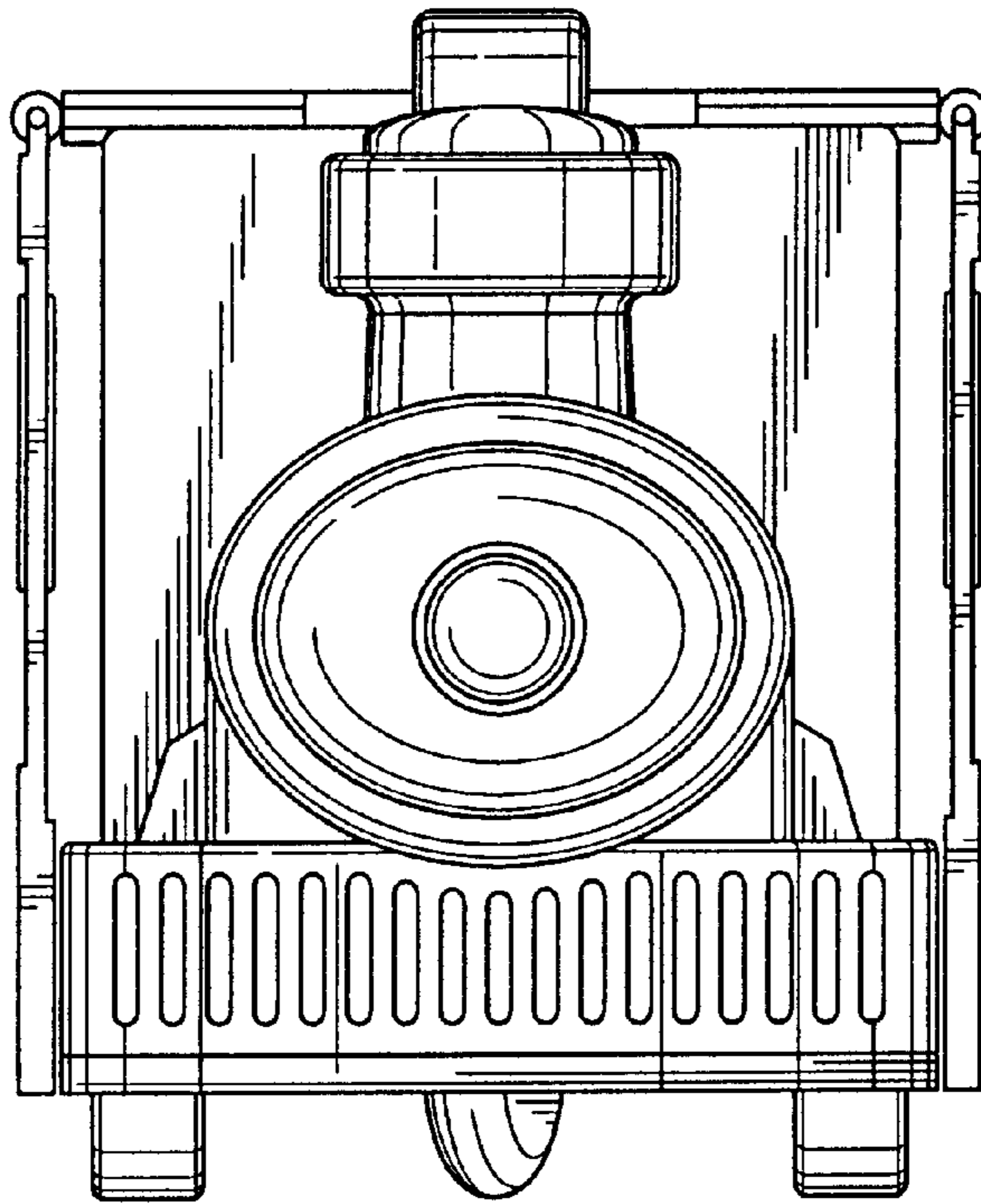


FIG. 5

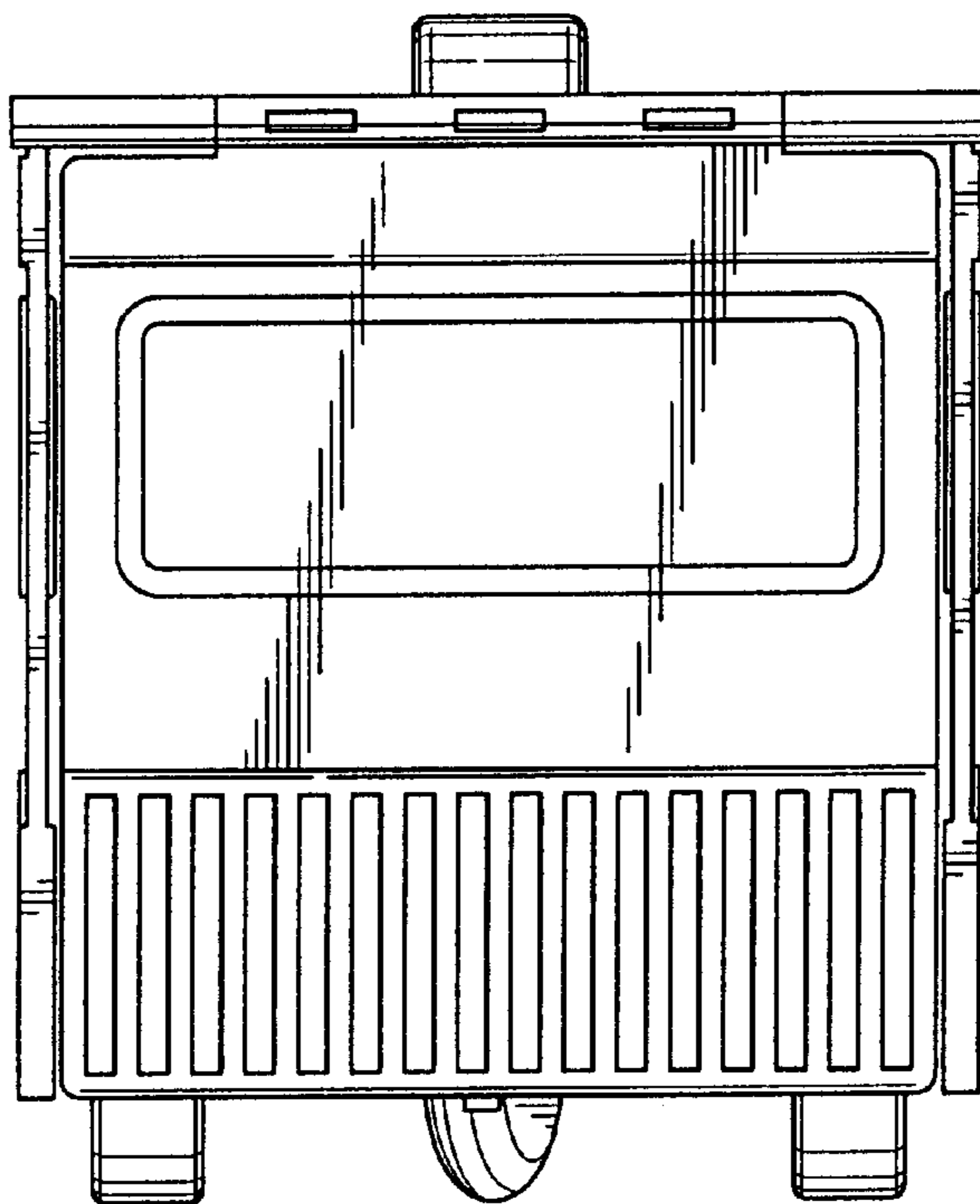


FIG. 6

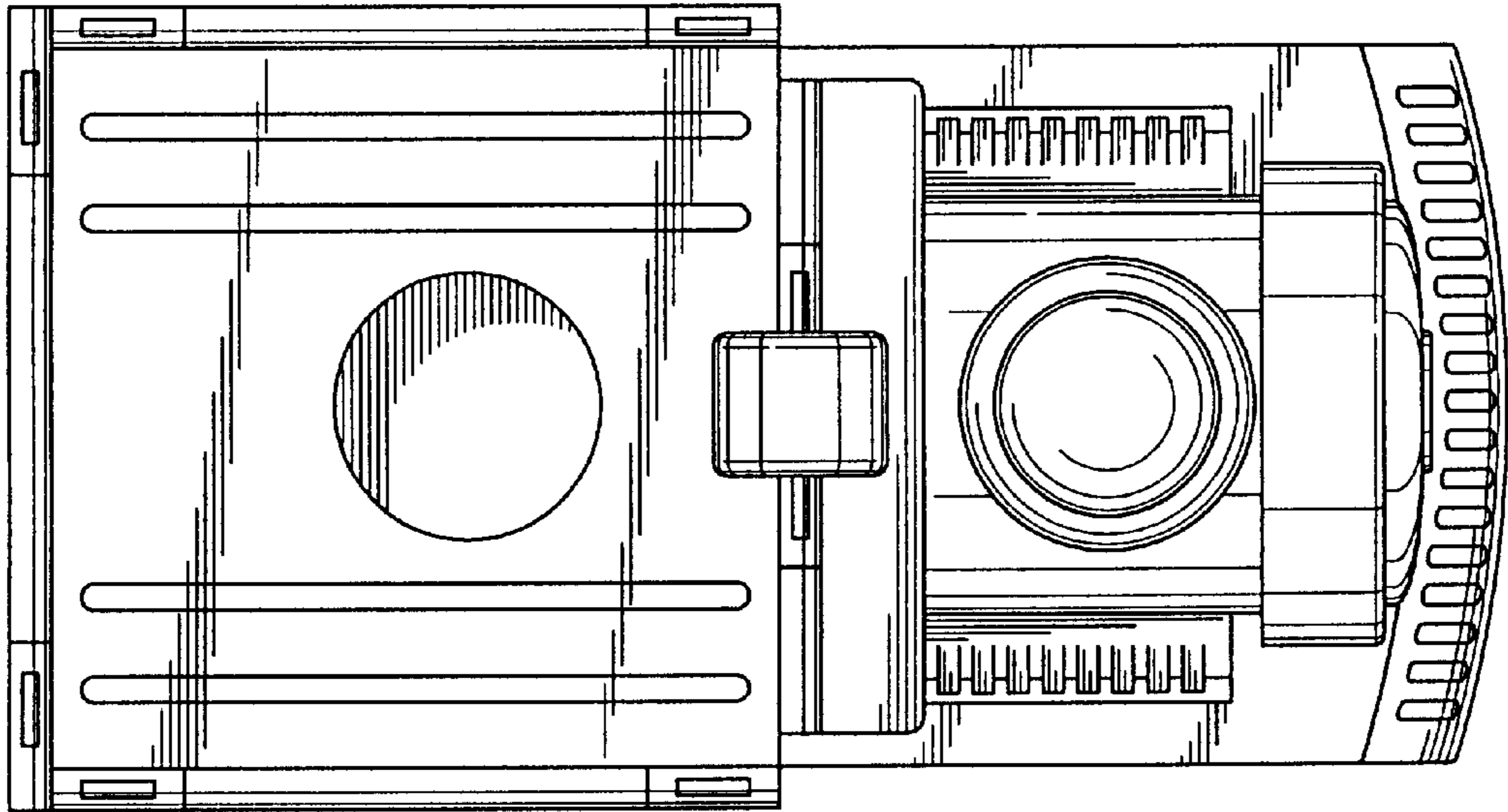


FIG. 7

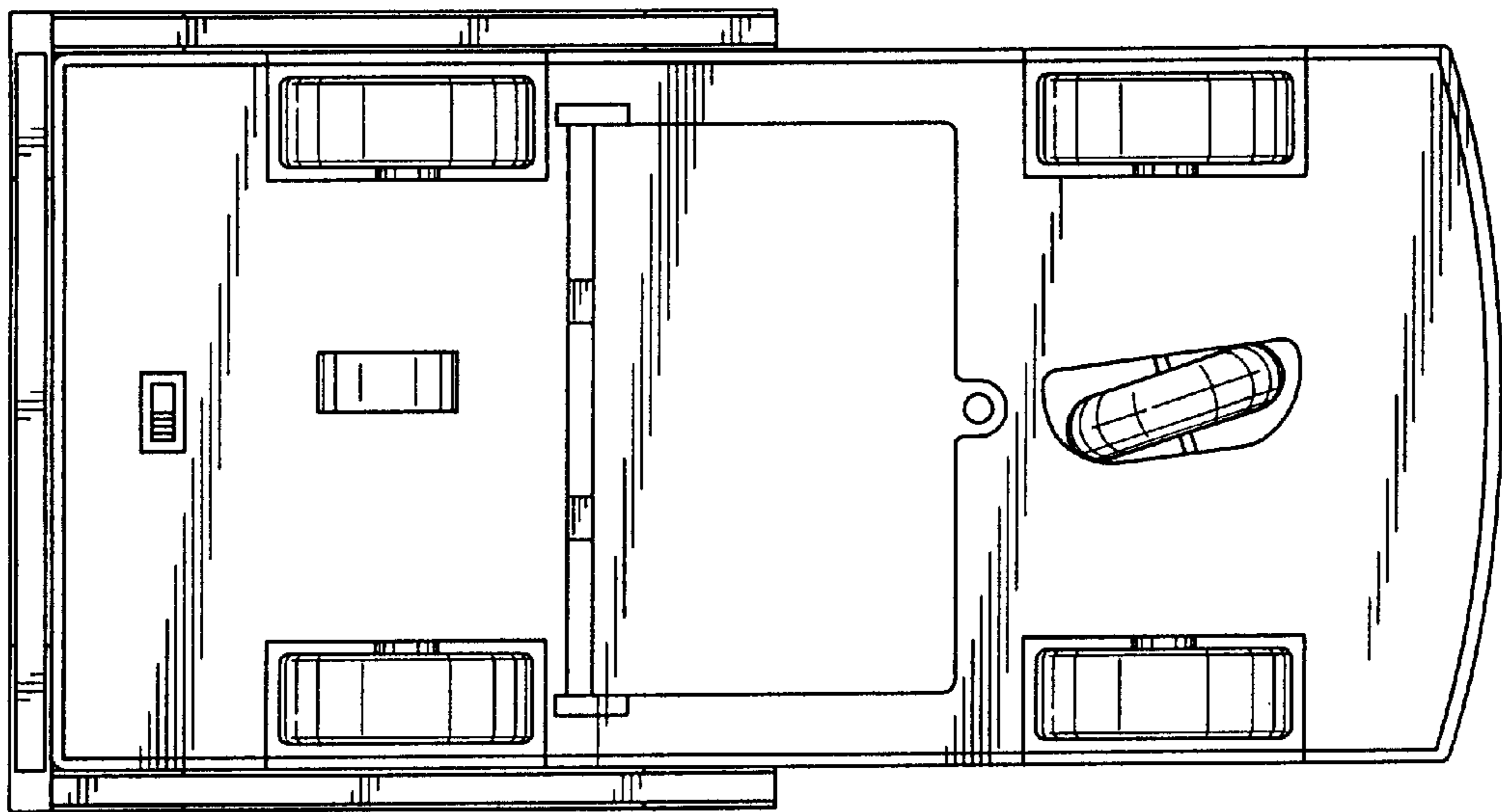


FIG. 8