



US00D436143S

(12) **United States Design Patent**
Krog

(10) **Patent No.:** **US D436,143 S**

(45) **Date of Patent:** **** Jan. 9, 2001**

(54) **TOY ELEMENT**

(75) **Inventor:** **Ricco Rejnholdt Krog, Brørup (DK)**

(73) **Assignee:** **Interlego AG, Baar (CH)**

(**) **Term:** **14 Years**

(21) **Appl. No.:** **29/115,944**

(22) **Filed:** **Dec. 22, 1999**

(51) **LOC (7) Cl.** **21-01**

(52) **U.S. Cl.** **D21/502; D21/503; D21/495**

(58) **Field of Search** **D21/484-505,**
D21/561-562, 506; 446/85, 88, 93-96,
102-105, 116, 120-125, 127, 128

(56) **References Cited**

U.S. PATENT DOCUMENTS

D. 260,790	*	9/1981	Gabriel	D21/502
D. 304,221	*	10/1989	Poulsen	.	
D. 352,746	*	11/1994	Hatting	D21/502
D. 367,503	*	2/1996	Schmidt et al.	D21/495
D. 409,685	*	5/1999	Toft	D21/503

D. 417,247	*	11/1999	Toft	D21/503
5,071,384	*	12/1991	Poulsen	446/103
5,094,643	*	3/1992	Bolli et al.	446/121

* cited by examiner

Primary Examiner—Raphael Barkai

(74) *Attorney, Agent, or Firm*—Pitney, Hardin, Kipp & Szuch LLP

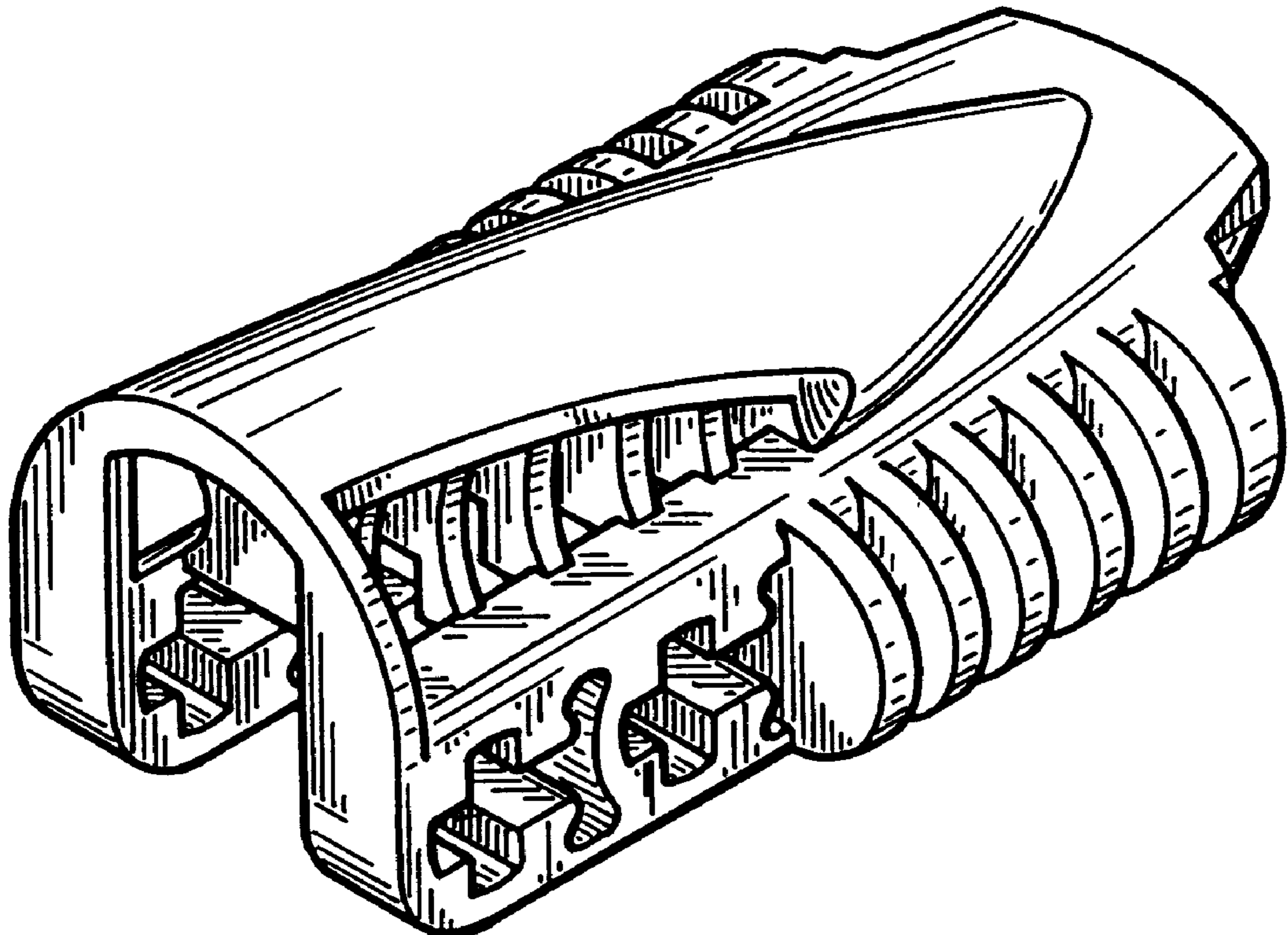
(57) **CLAIM**

The ornamental design for a toy element, as shown and described.

DESCRIPTION

FIG. 1 is a top perspective view of the toy element
FIG. 2 is a bottom perspective view thereof,
FIG. 3 is a left side view thereof,
FIG. 4 is a bottom plan view thereof,
FIG. 5 is a rear view thereof,
FIG. 6 is a right side view thereof,
FIG. 7 is a front view thereof; and,
FIG. 8 is a top plan view thereof.

1 Claim, 3 Drawing Sheets



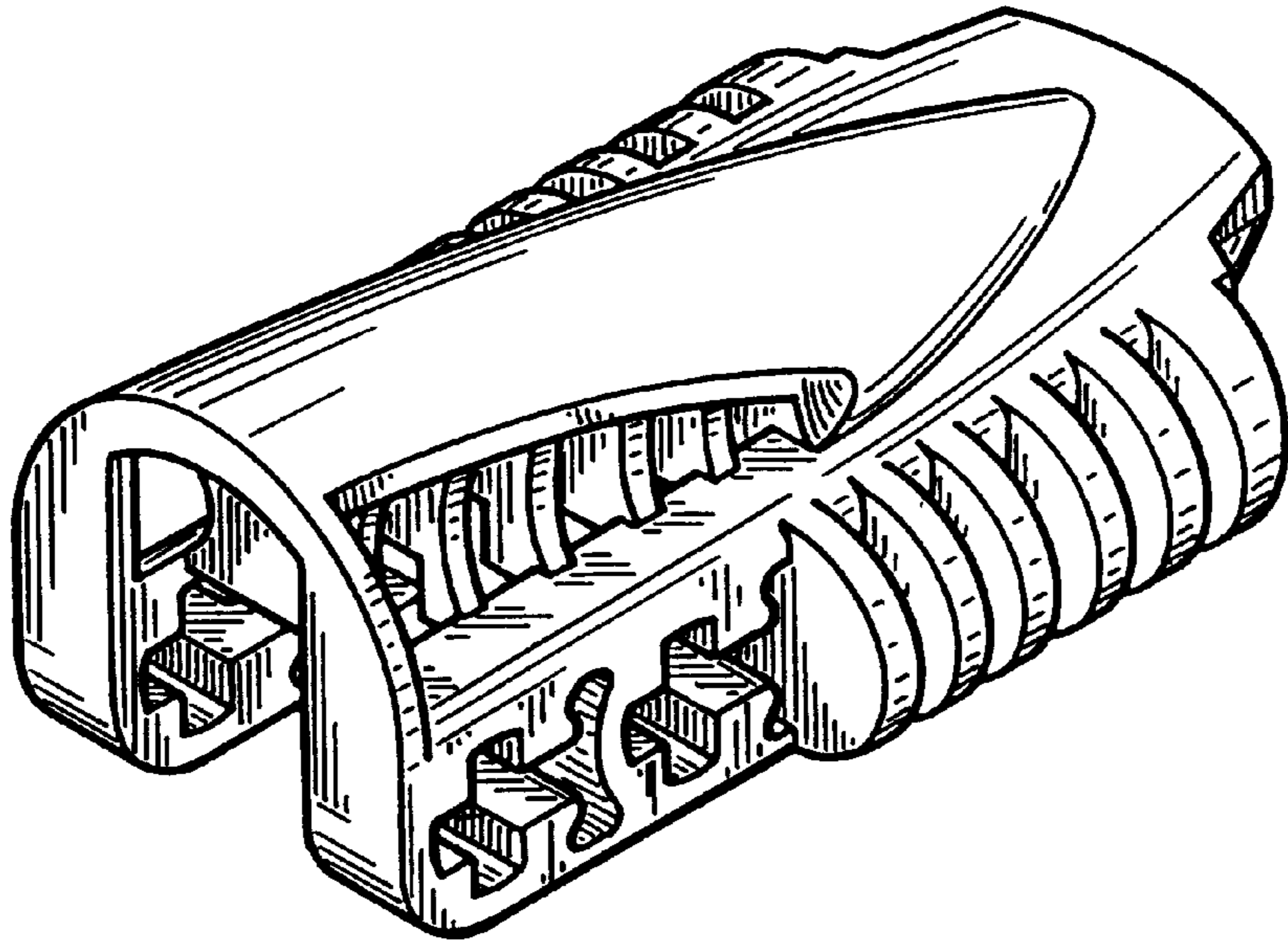


Fig. 1

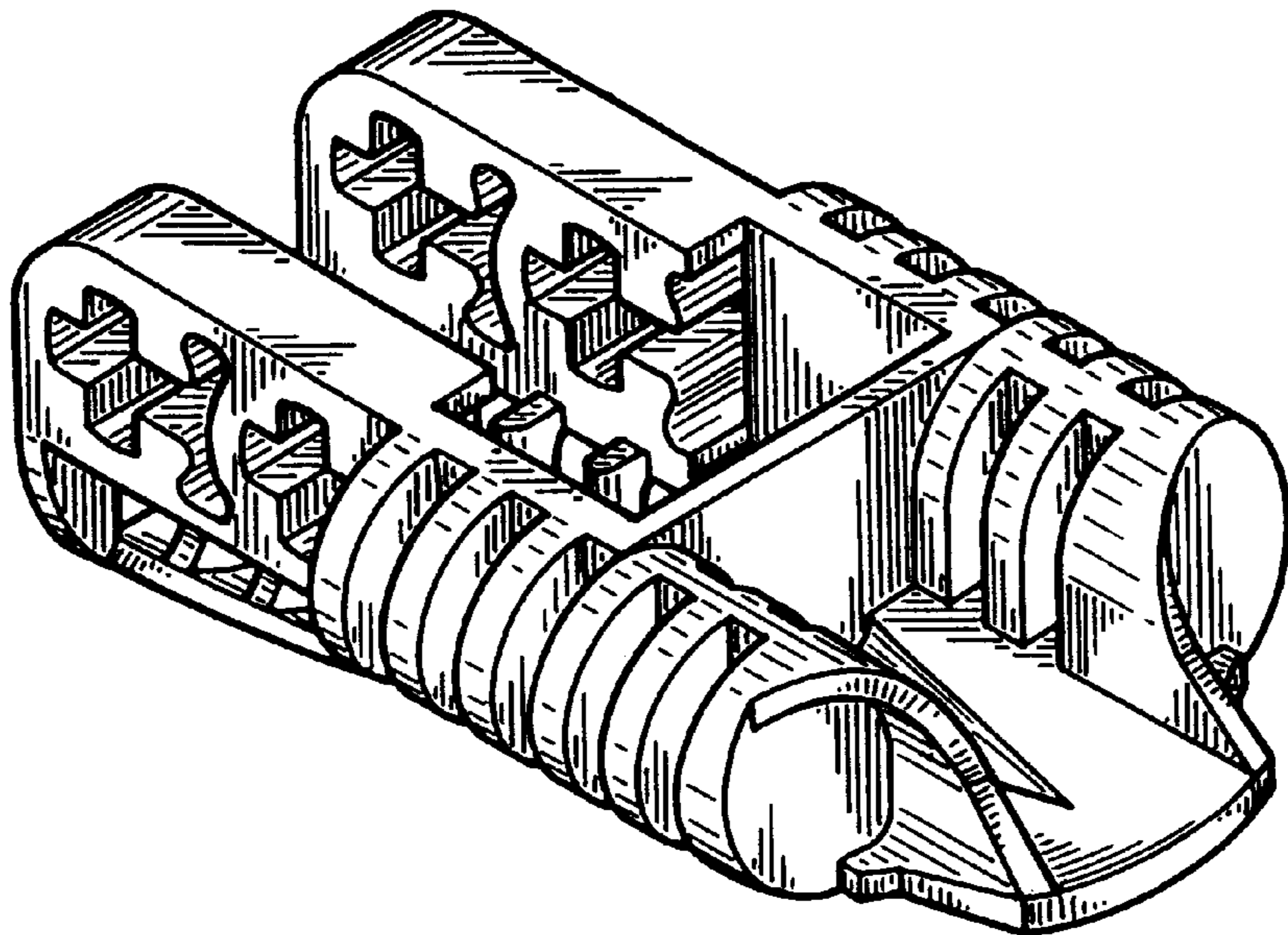


Fig. 2

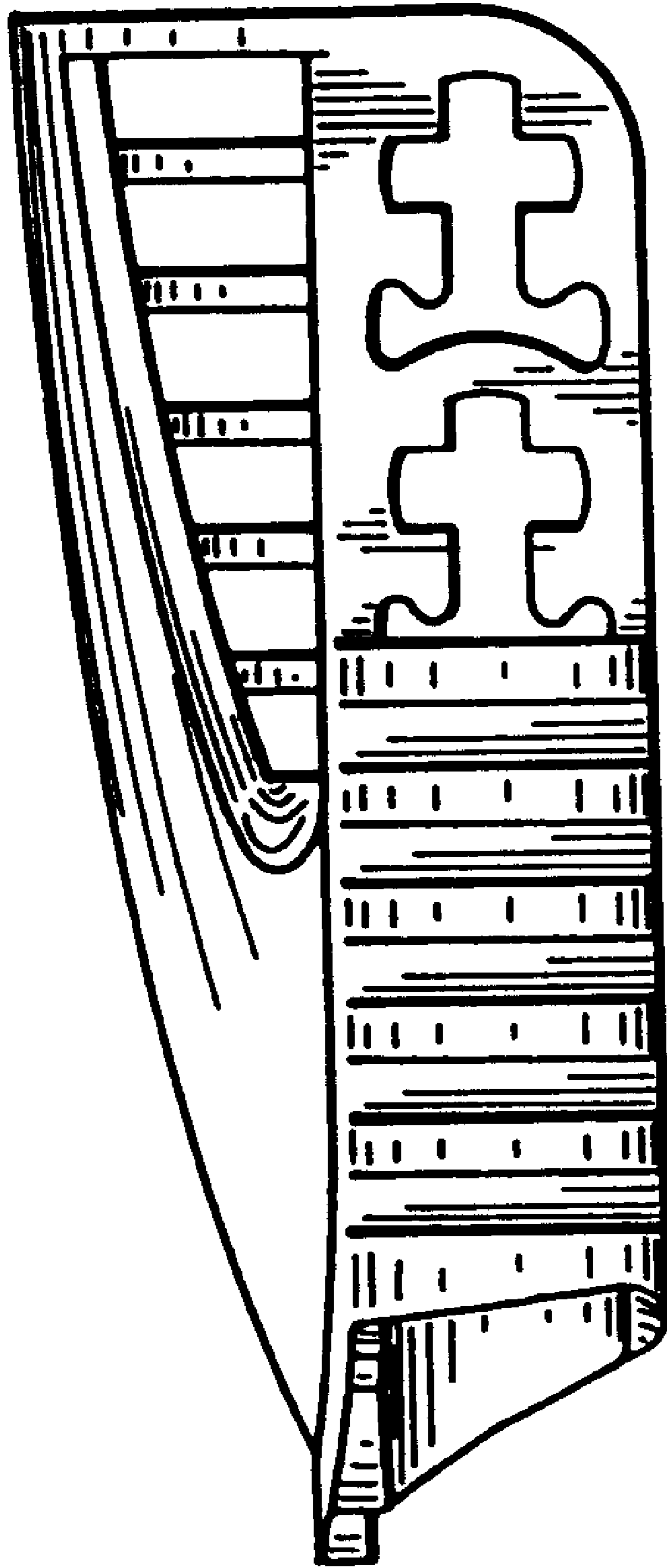


Fig. 3

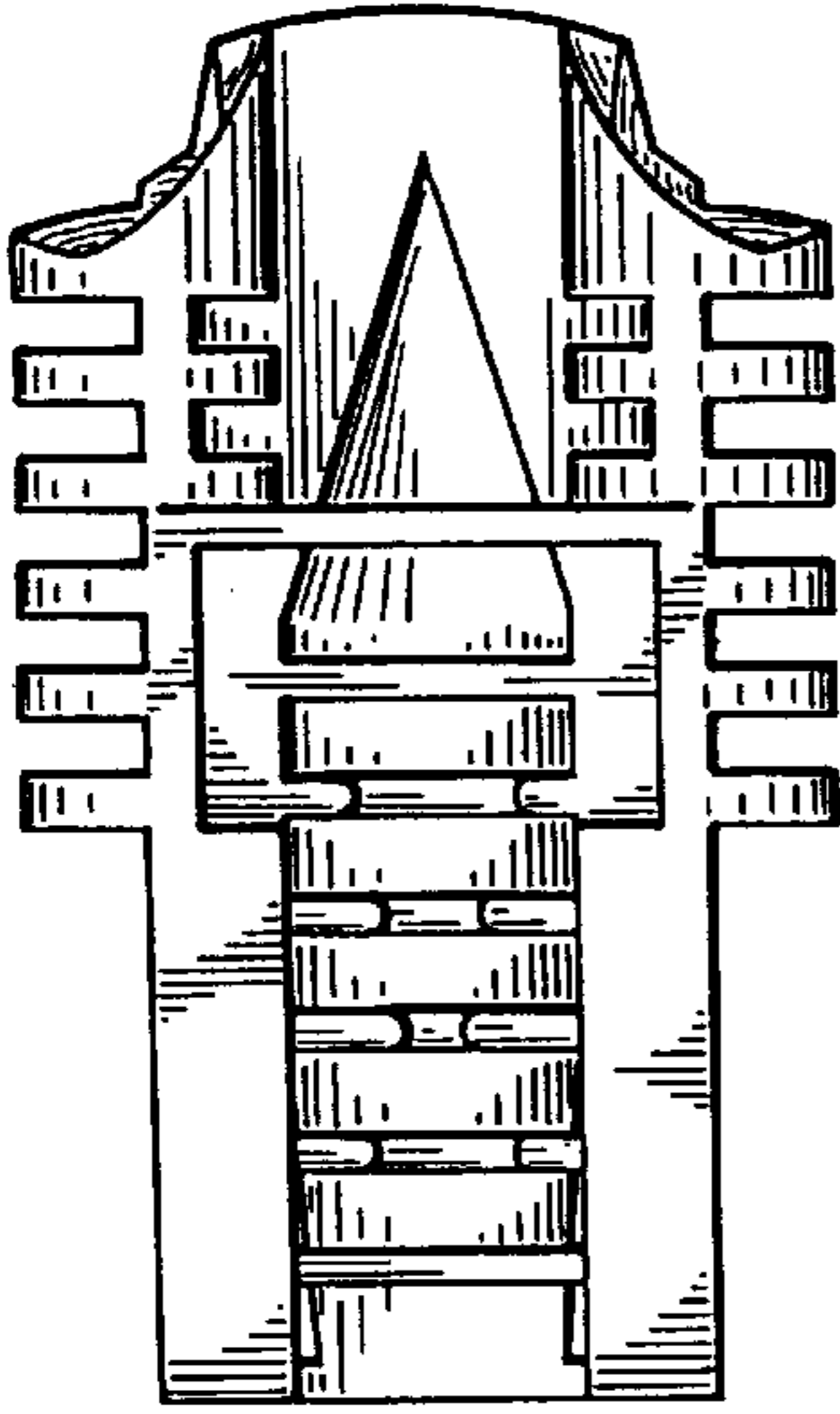


Fig. 4

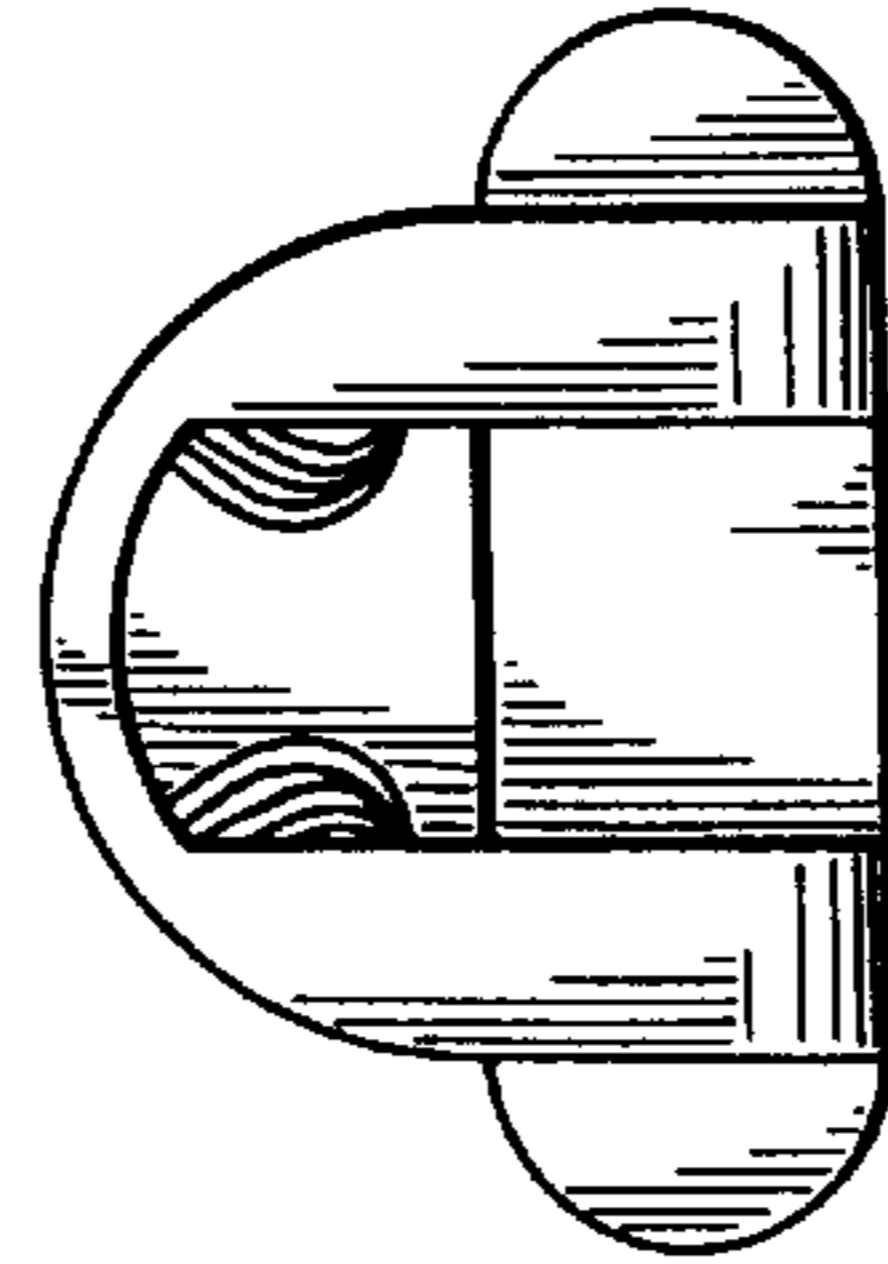


Fig. 5

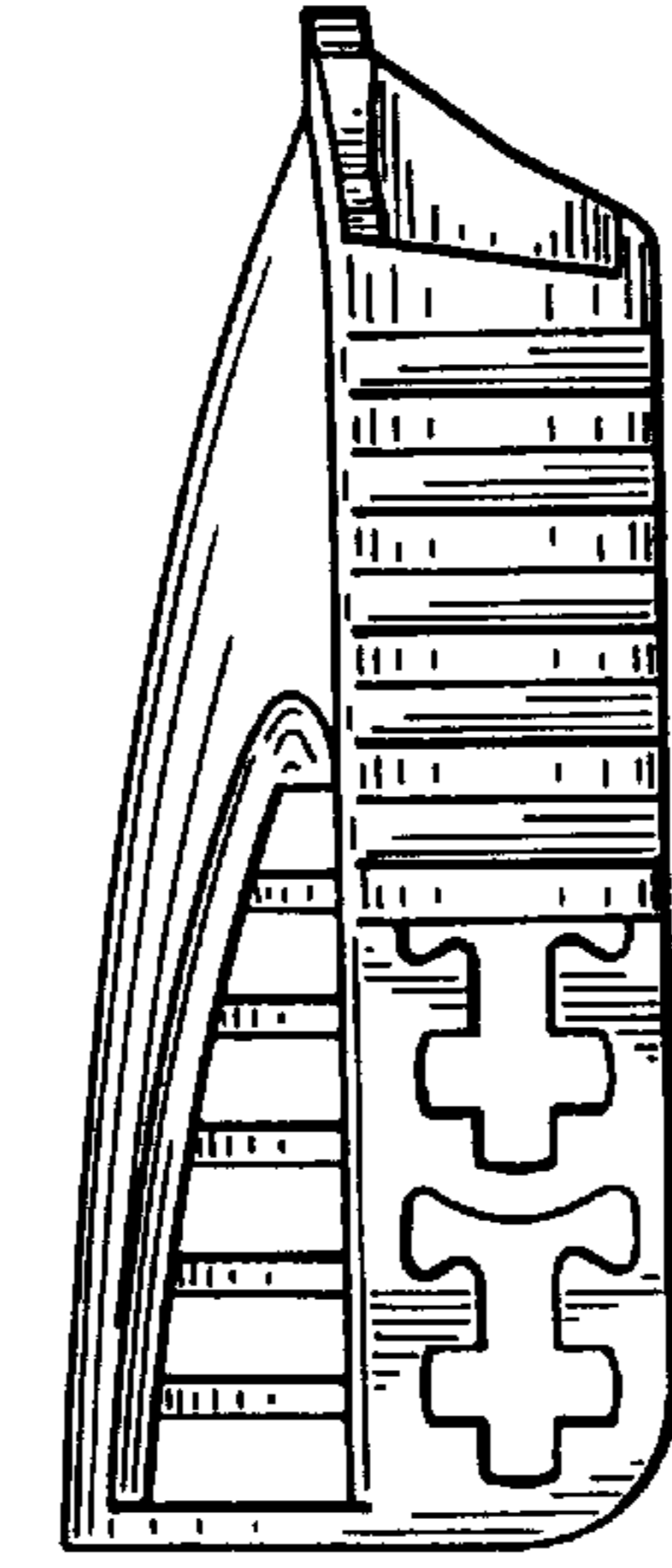


Fig. 6

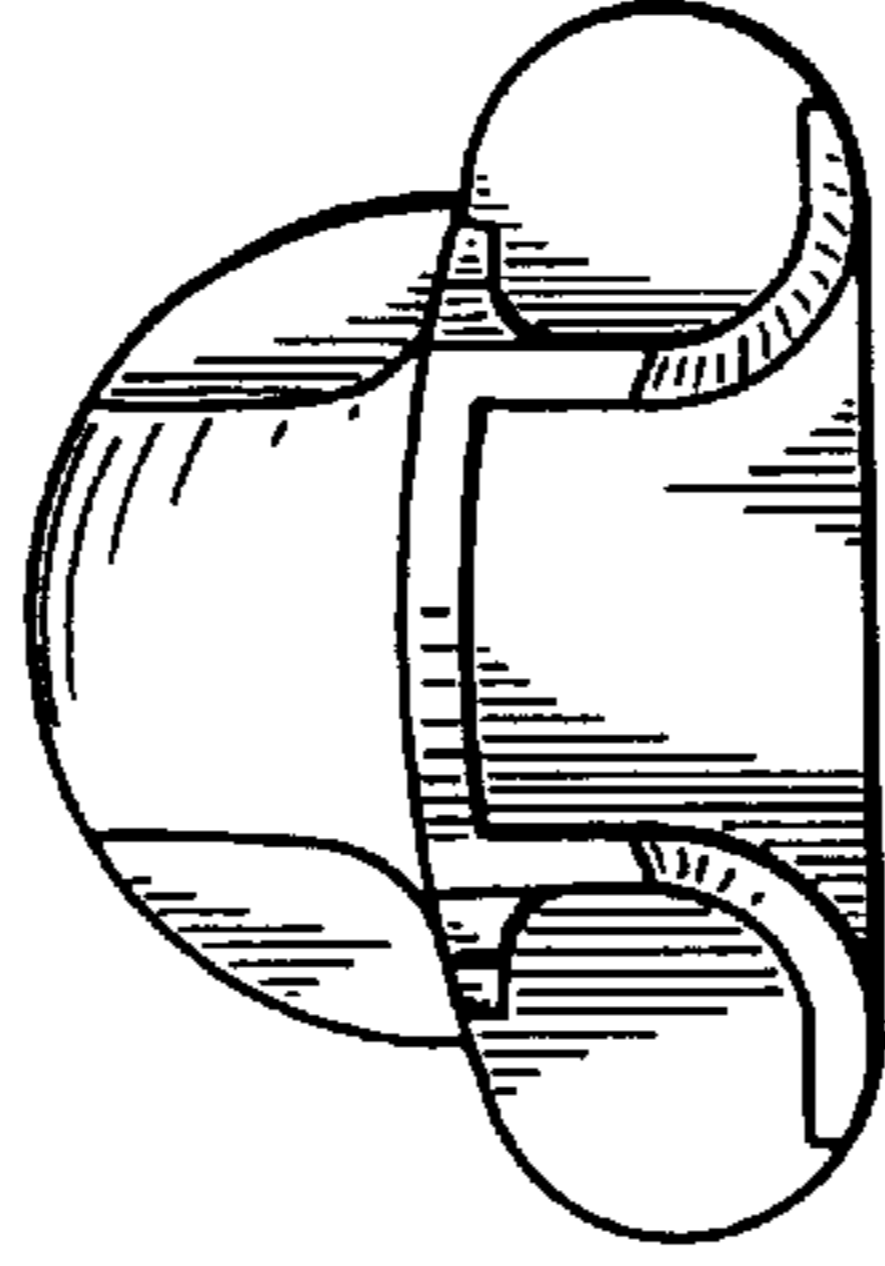


Fig. 7

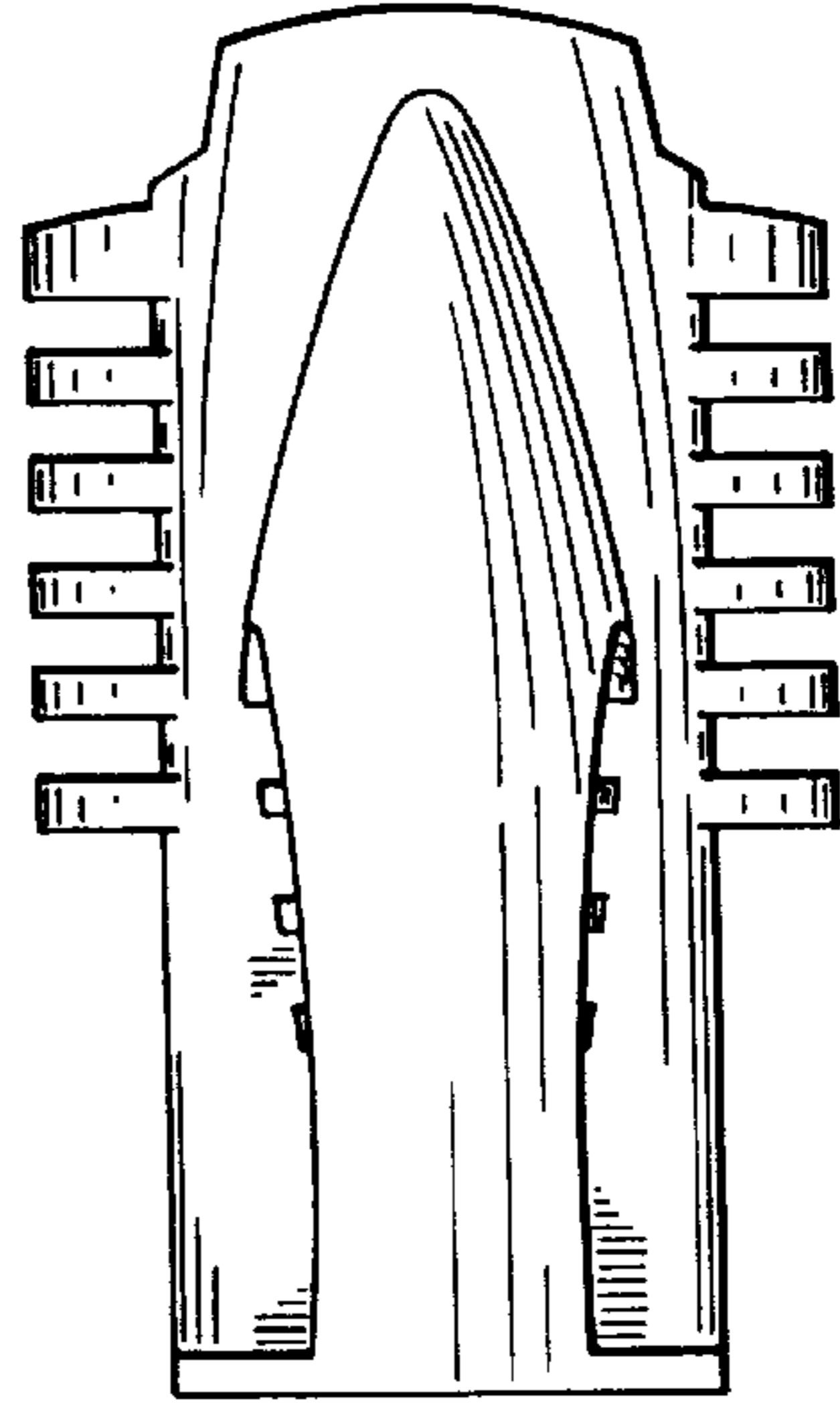


Fig. 8