



US00D436142S

(12) **United States Design Patent**
Araki et al.

(10) **Patent No.:** **US D436,142 S**

(45) **Date of Patent:** **** Jan. 9, 2001**

(54) **EDUCATIONAL TOY**

D. 335,909 * 5/1993 Swanson et al. D21/475
D. 413,941 * 9/1999 Ko D21/475

(75) Inventors: **Katsumi Araki; Mieko Yabushita;**
Makoto Takezaki, all of Tokyo (JP)

* cited by examiner

(73) Assignee: **Tomy Company Ltd., Tokyo (JP)**

Primary Examiner—Dominic Simone
(74) *Attorney, Agent, or Firm*—Staas & Halsey LLP

(**) Term: **14 Years**

(57) **CLAIM**

(21) Appl. No.: **29/121,061**

The ornamental design for the educational toy, as shown.

(22) Filed: **Mar. 31, 2000**

DESCRIPTION

(51) **LOC (7) Cl.** **21-01**

(52) **U.S. Cl.** **D21/475**

(58) **Field of Search** D21/475, 476,
D21/513, 516; 446/227, 404, 408

FIG. 1 is a perspective view of the educational toy embodying the new design;
FIG. 2 is a front elevational view thereof;
FIG. 3 is a rear elevational view thereof;
FIG. 4 is a left-side elevational view thereof; and
FIG. 5 is a right-side elevational view thereof.
FIG. 6 is a top plan view thereof; and,
FIG. 7 is a bottom plan view thereof.

(56) **References Cited**

U.S. PATENT DOCUMENTS

- D. 187,218 * 2/1960 McHugh D21/475
- D. 278,070 * 3/1985 Tadrup D21/475
- D. 280,650 * 9/1985 Tateyama D21/475

1 Claim, 3 Drawing Sheets

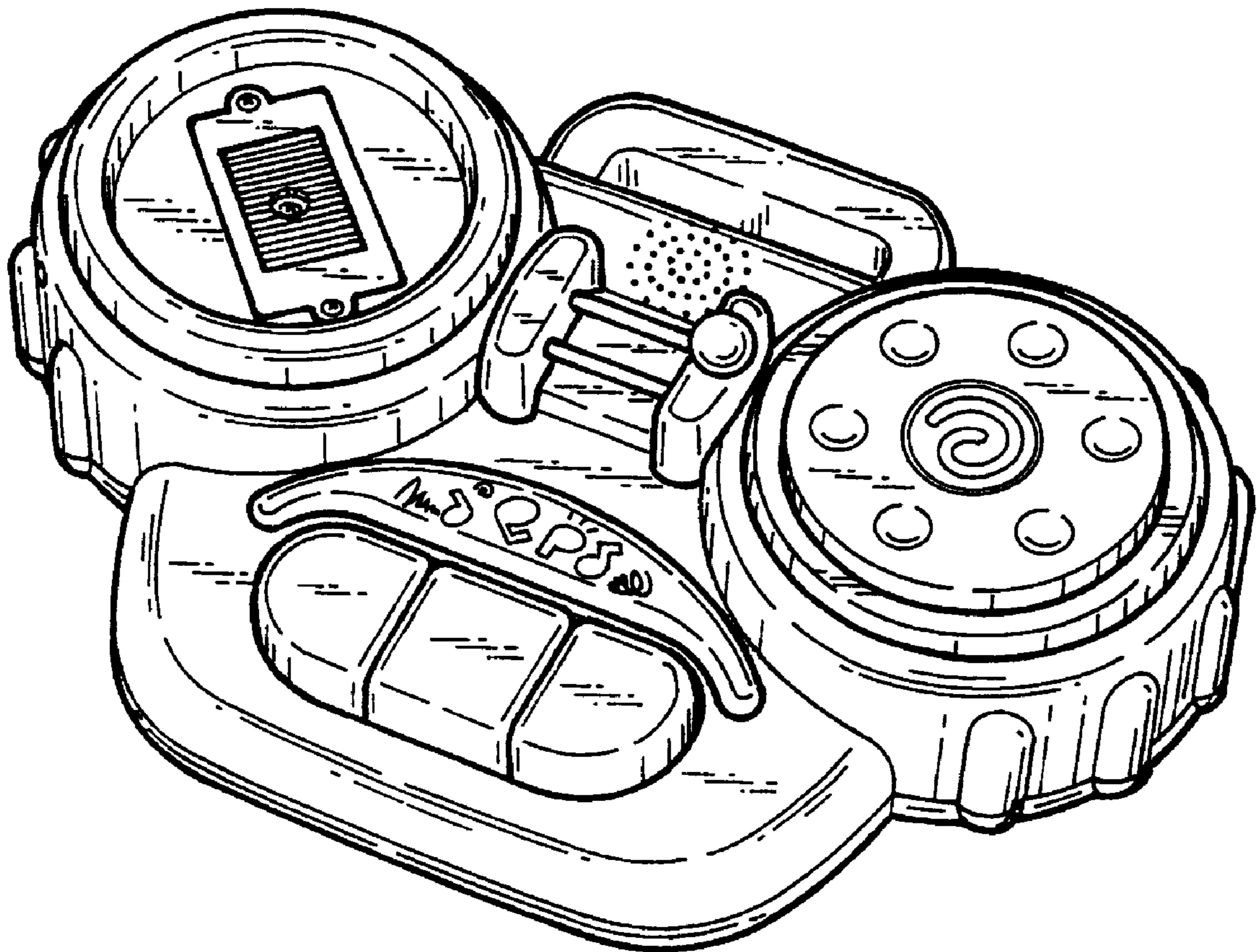


FIG. 1

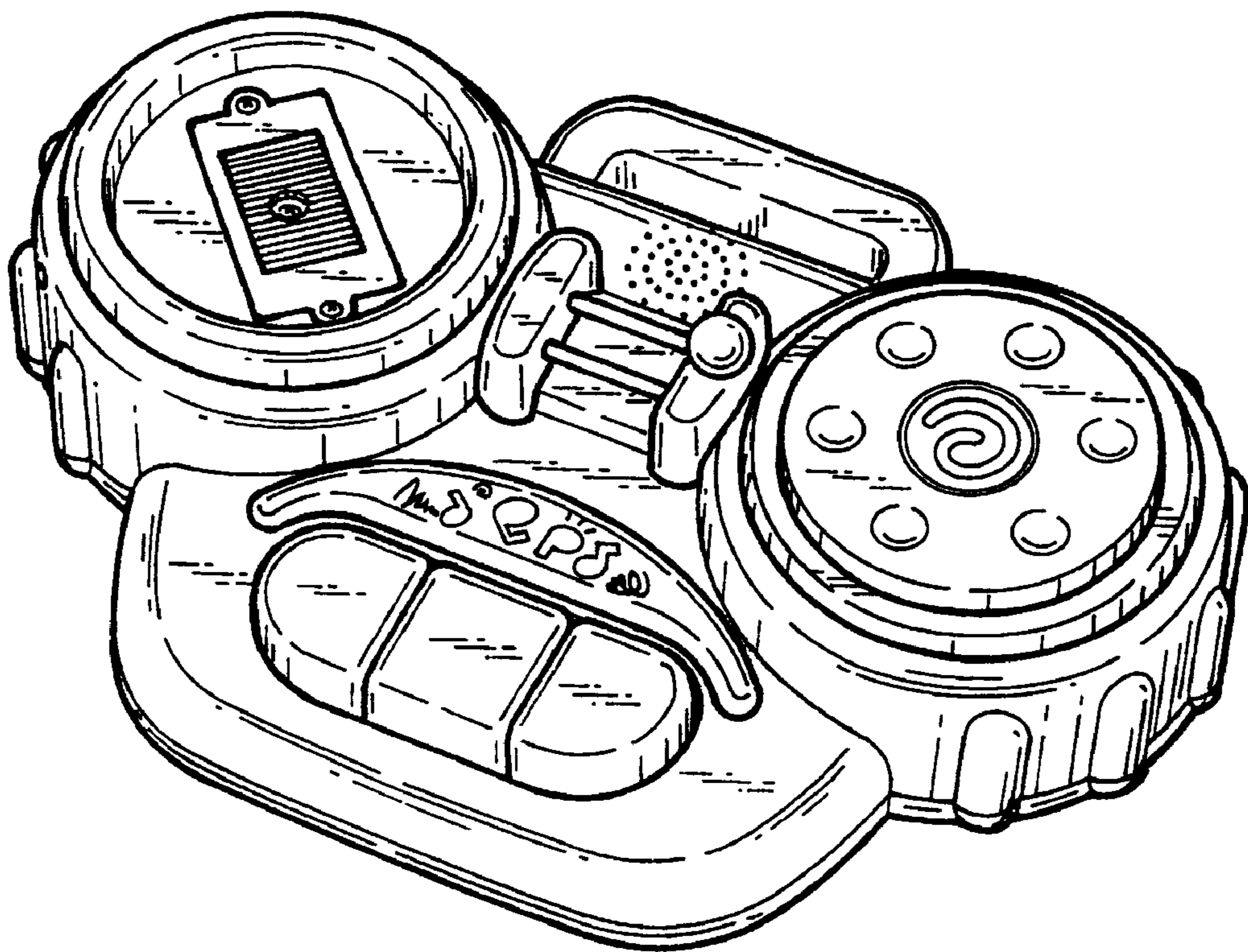


FIG. 2

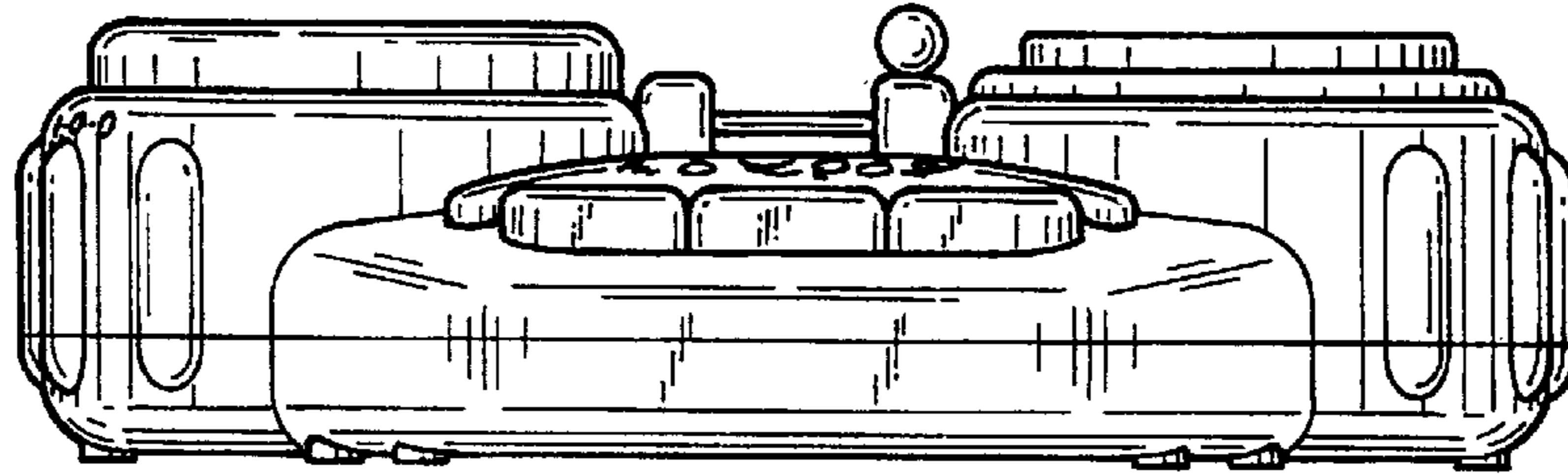


FIG. 3

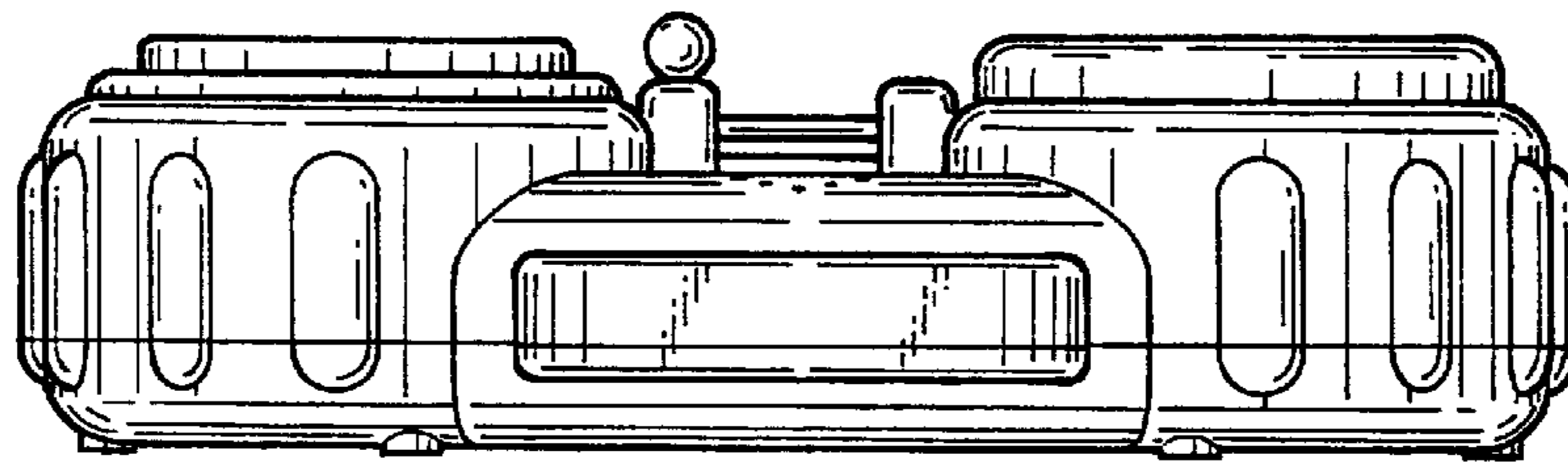


FIG. 4

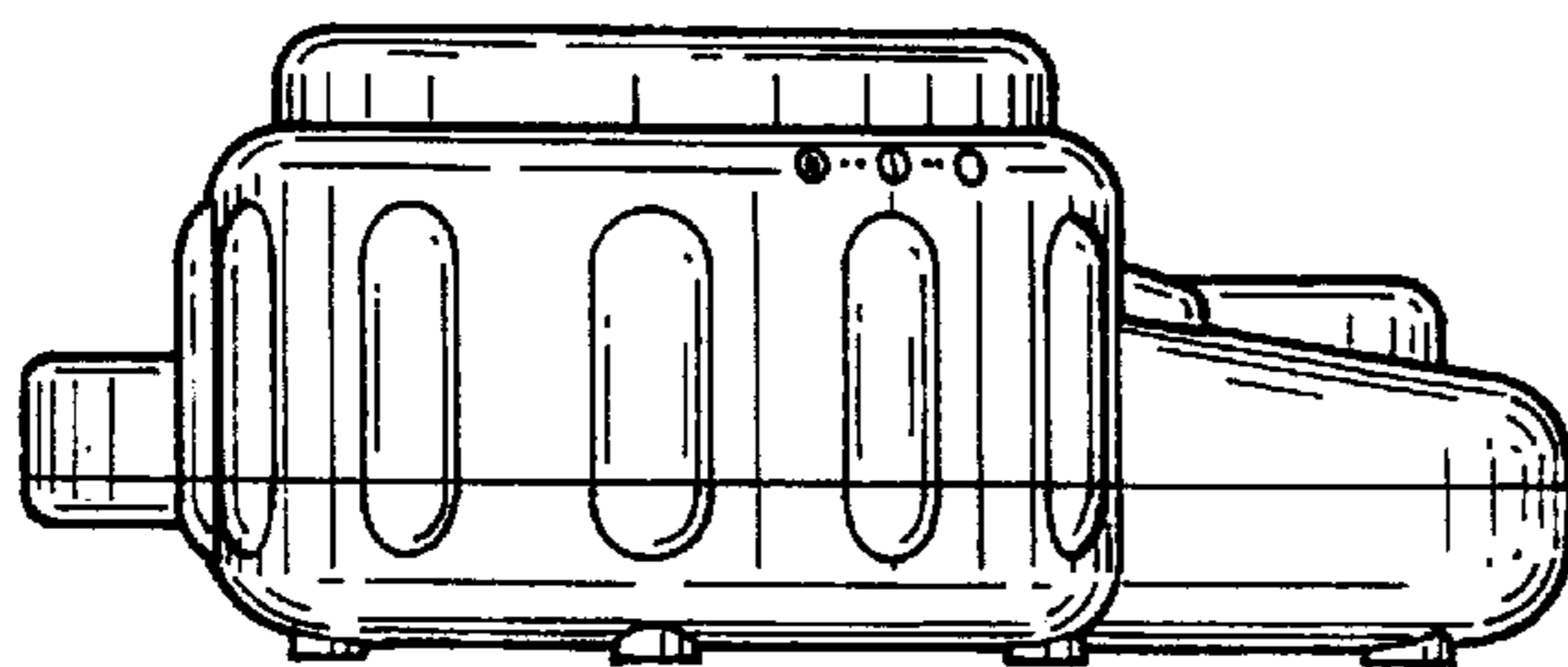


FIG. 5

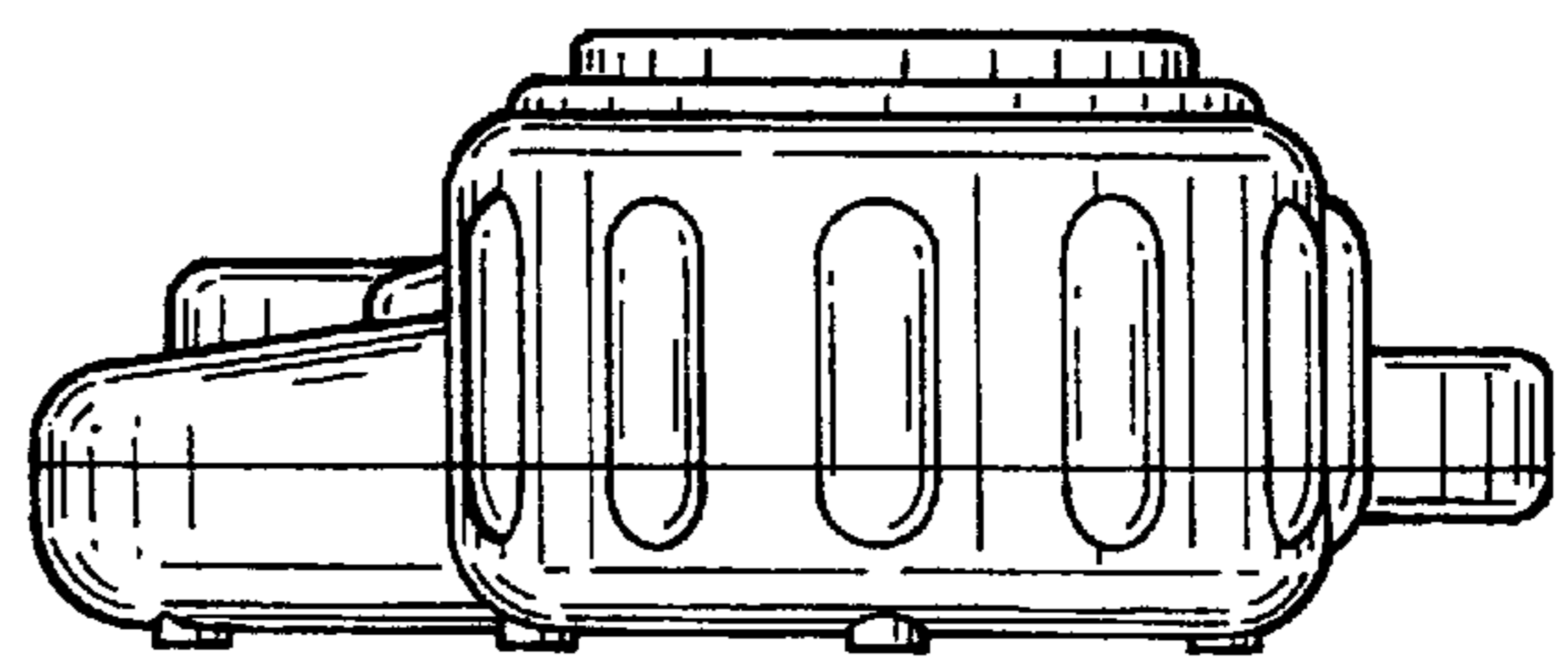


FIG. 6

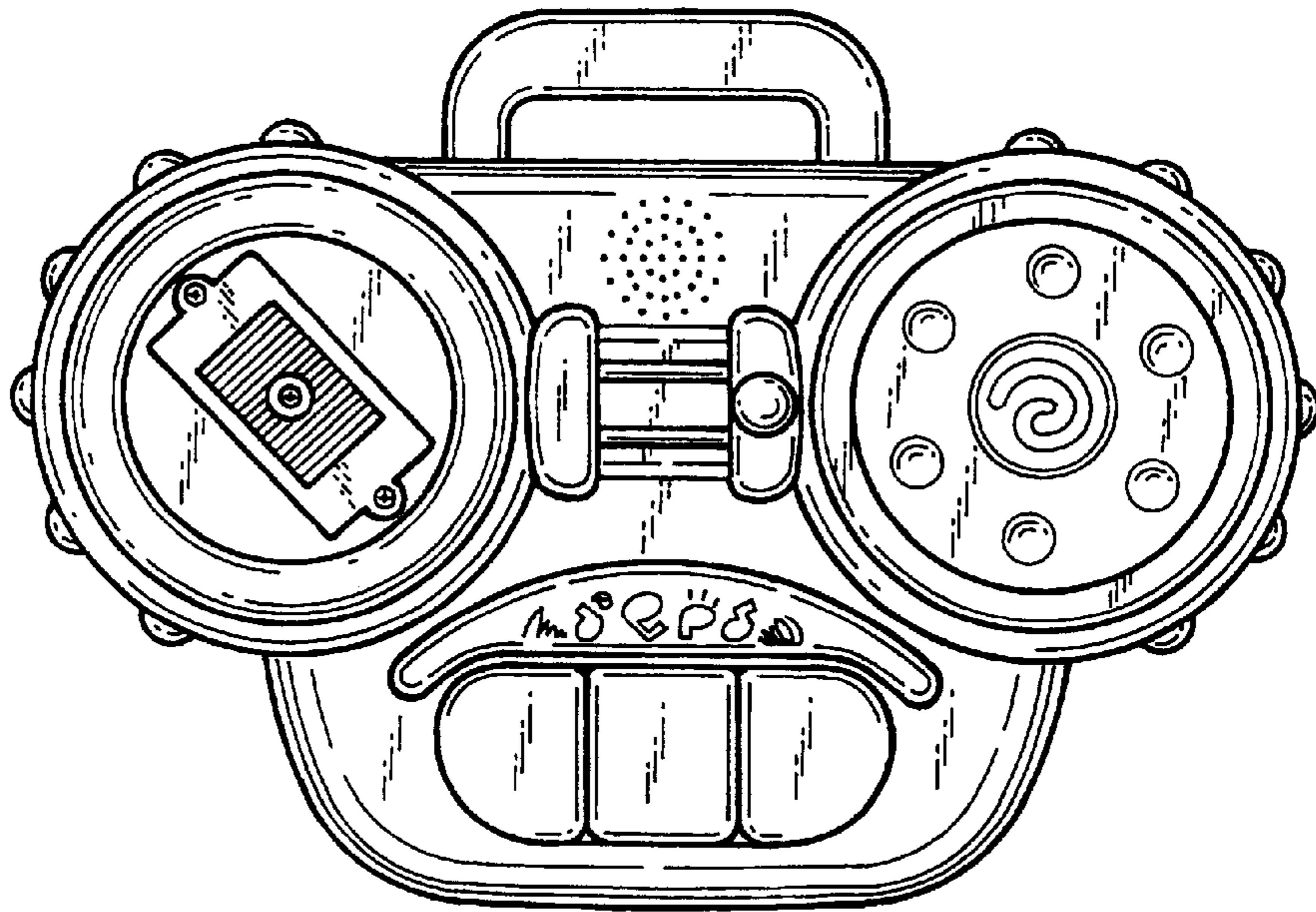


FIG. 7

