



US00D436141S

(12) **United States Design Patent**
Lerch

(10) **Patent No.:** **US D436,141 S**

(45) **Date of Patent:** **** Jan. 9, 2001**

(54) **CHILDREN'S RIDE-ON VEHICLE**

5,106,150 4/1992 Litwicki .

(75) Inventor: **Karl D. Lerch**, East Aurora, NY (US)

5,294,153 3/1994 Nolan .

5,409,263 4/1995 Klawitter .

(73) Assignee: **Mattel, Inc.**, El Segundo, CA (US)

OTHER PUBLICATIONS

(**) Term: **14 Years**

Fisher-Price Toy Fair Catalog, p. 86, 1998.

(21) Appl. No.: **29/118,427**

* cited by examiner

(22) Filed: **Feb. 7, 2000**

Primary Examiner—Raphael Barkai

(51) **LOC (7) Cl.** **21-01**

(52) **U.S. Cl.** **D21/433**

(58) **Field of Search** D21/419-435,
D21/533, 537, 548-552; D12/1, 87, 88,
90-92; 446/447, 428, 456, 465, 470; 280/1.13,
87.01, 87.021, 828, 796, 263, 281.1, 282;
180/72

(74) *Attorney, Agent, or Firm*—Kolisch, Hartwell,
Dickinson, McCormack & Heuser

(57) **CLAIM**

The ornamental design for a children's ride-on vehicle, as shown and described.

(56) **References Cited**

DESCRIPTION

U.S. PATENT DOCUMENTS

- D. 345,394 * 3/1994 Chen D21/433
- D. 408,869 * 4/1999 Patmont D21/433
- D. 410,258 * 5/1999 Lerch D21/433
- D. 410,502 * 6/1999 Harrod D21/433
- 3,887,210 * 6/1975 Funke 280/87.01
- 4,629,023 12/1986 Carpanelli et al. .
- 4,799,708 1/1989 Handa et al. .
- 5,094,313 3/1992 Mauws .

FIG. 1 is a front perspective view of a children's ride-on vehicle showing the claimed design.

FIG. 2 is a right side elevation view of the vehicle of FIG. 1.

FIG. 3 is a left side elevation view of the vehicle of FIG. 1.

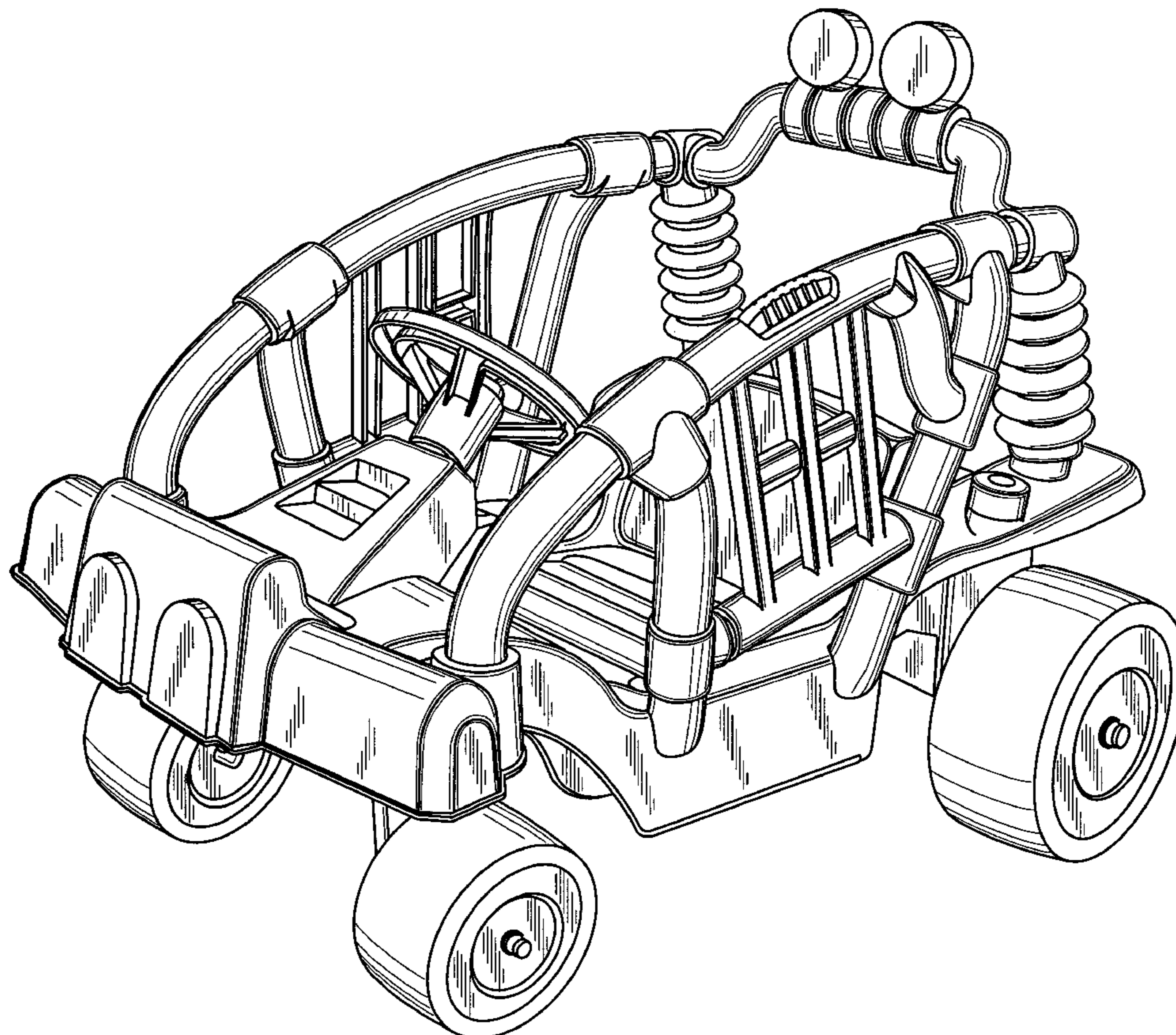
FIG. 4 is a top plan view of the vehicle of FIG. 1.

FIG. 5 is a front elevation view of the vehicle of FIG. 1; and,

FIG. 6 is a rear elevation view of the vehicle of FIG. 1.

In the drawings, the bottom of the vehicle forms no part of the claimed design.

1 Claim, 6 Drawing Sheets



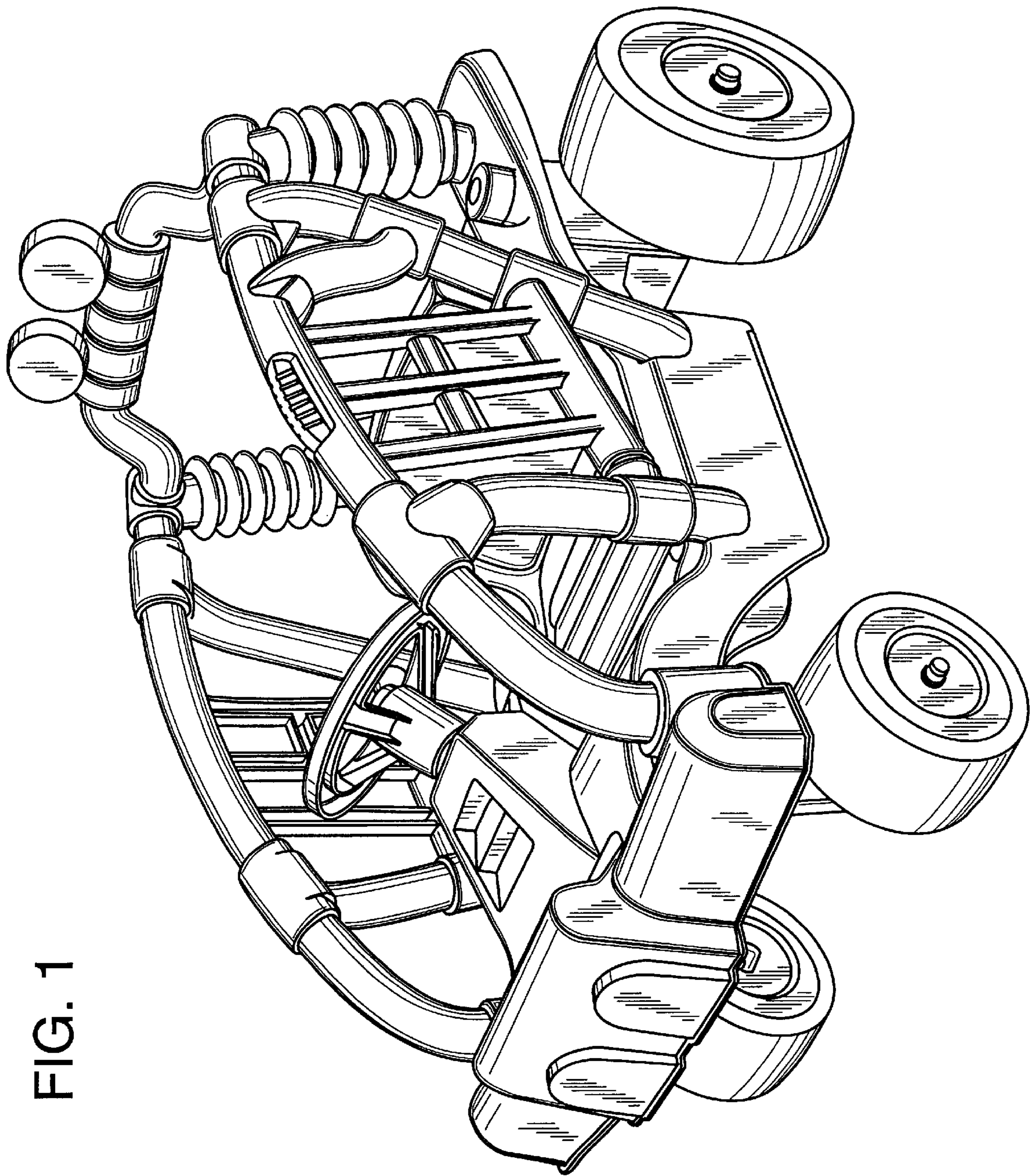
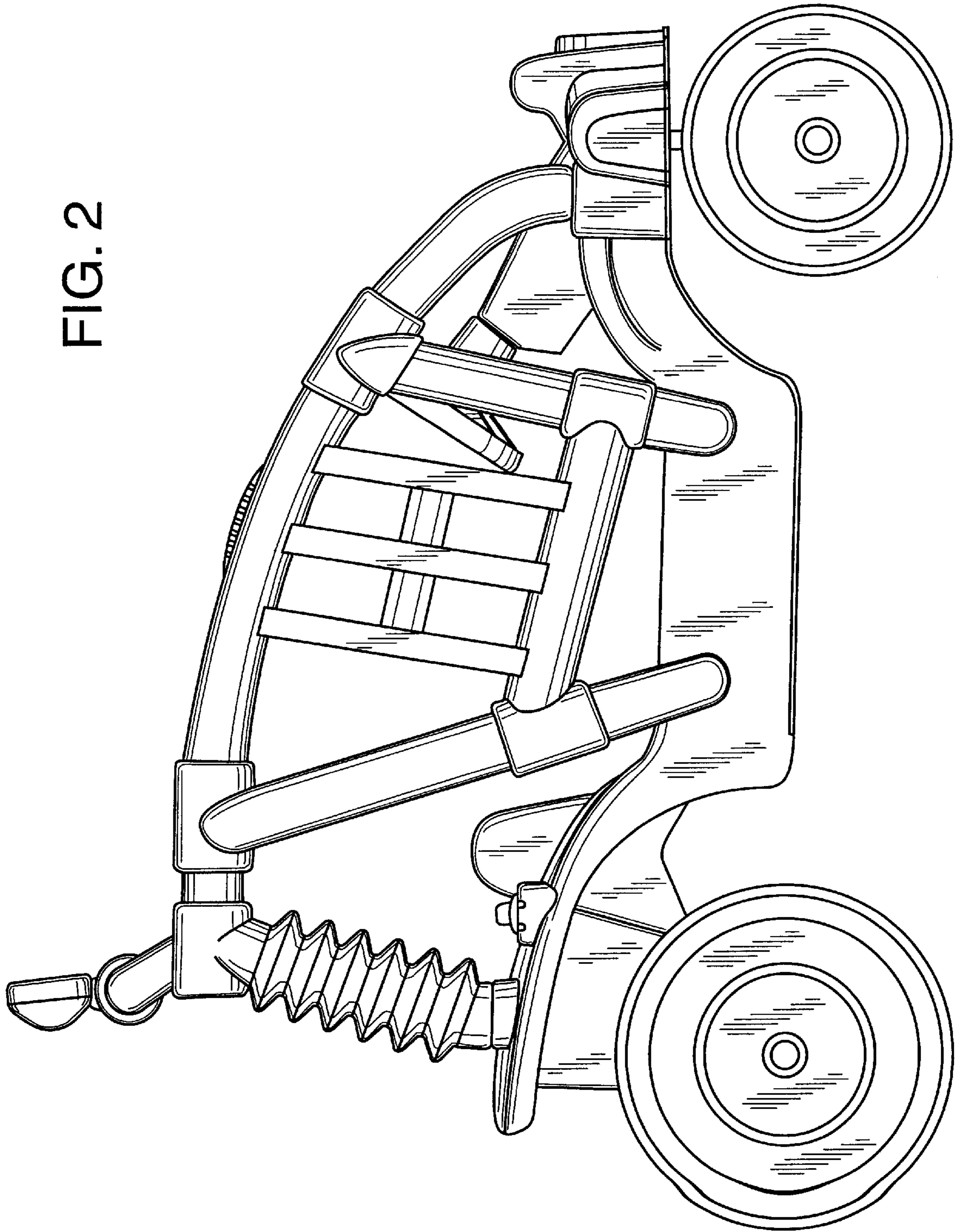


FIG. 1

FIG. 2



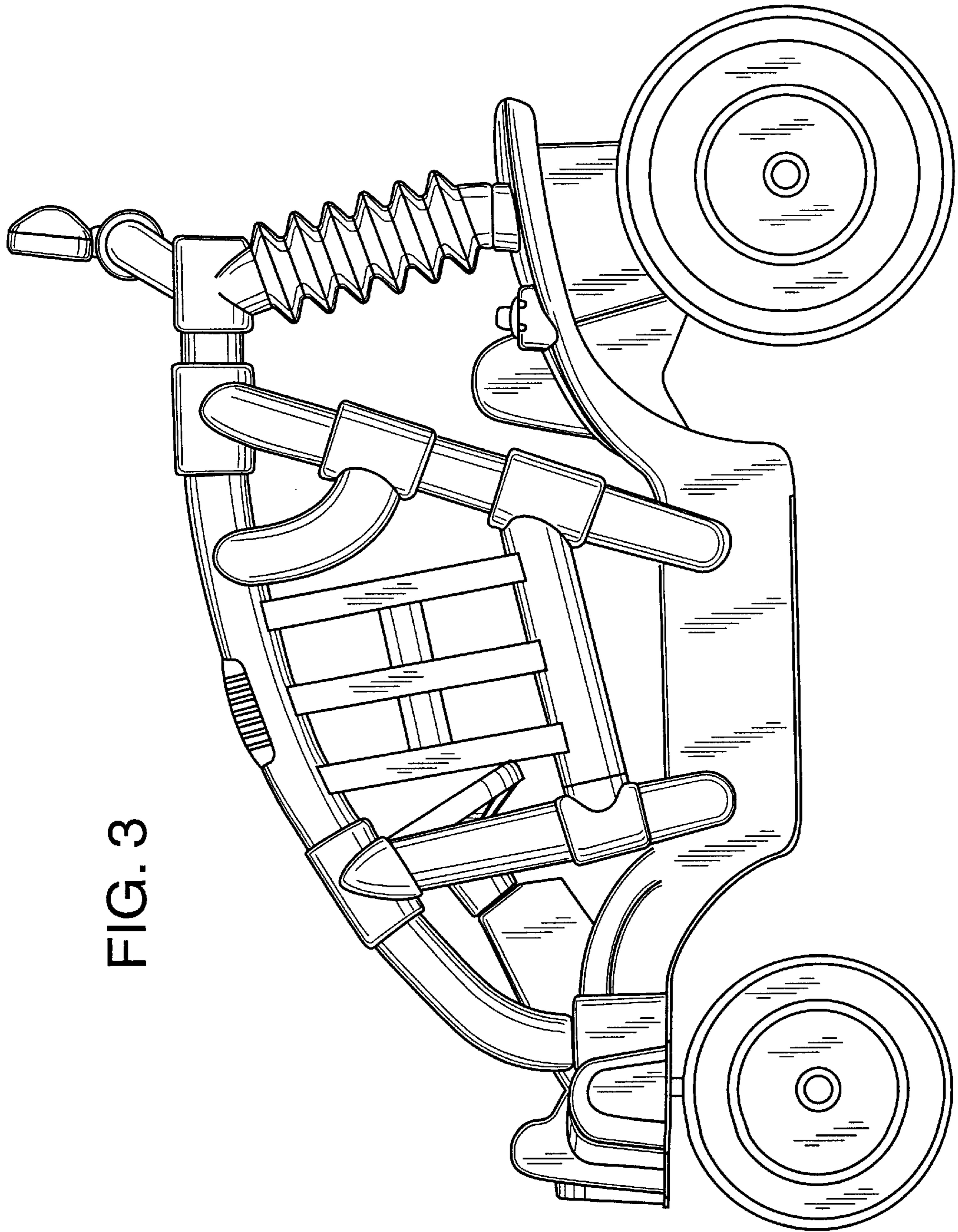


FIG. 3

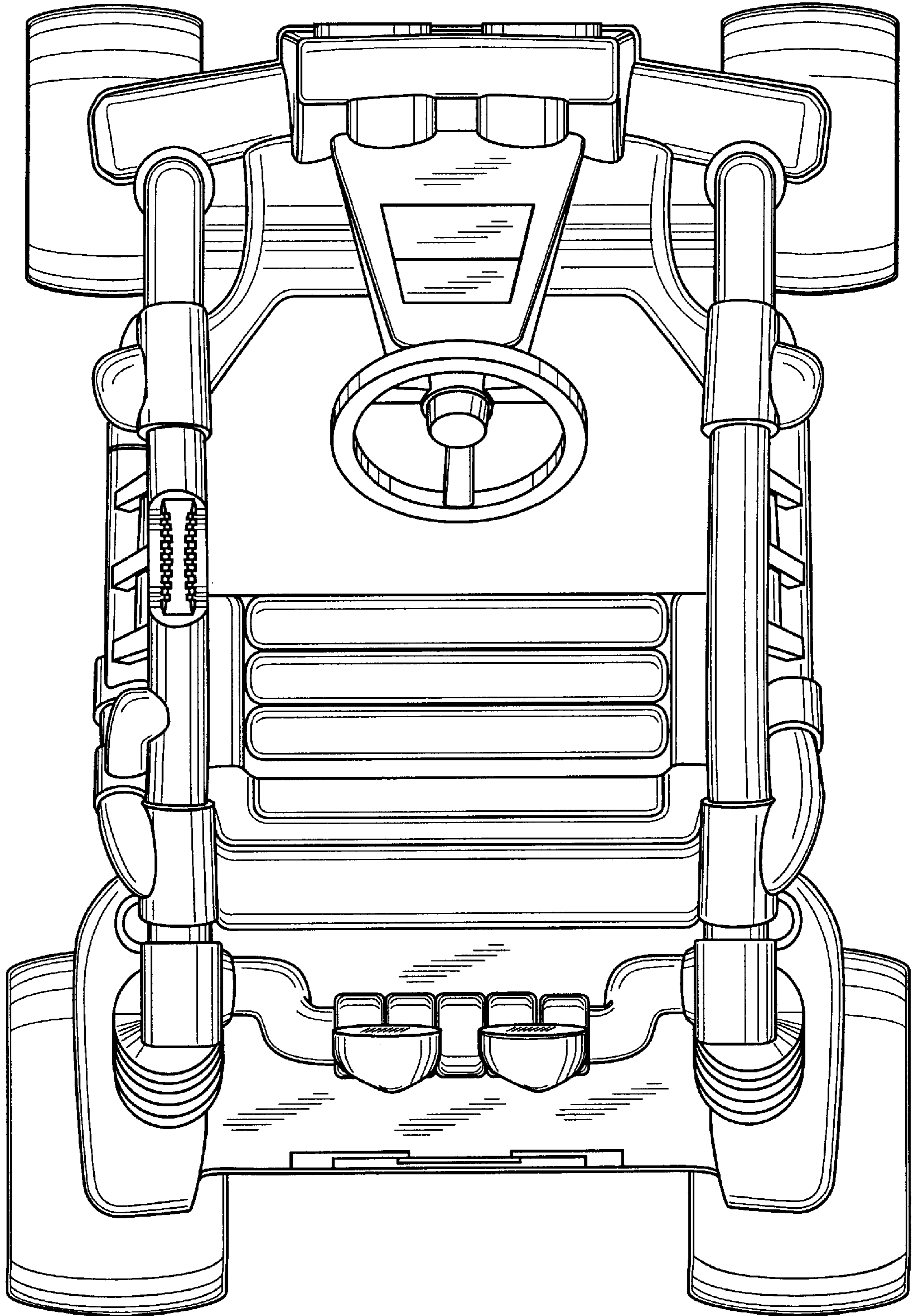


FIG. 4

FIG. 5

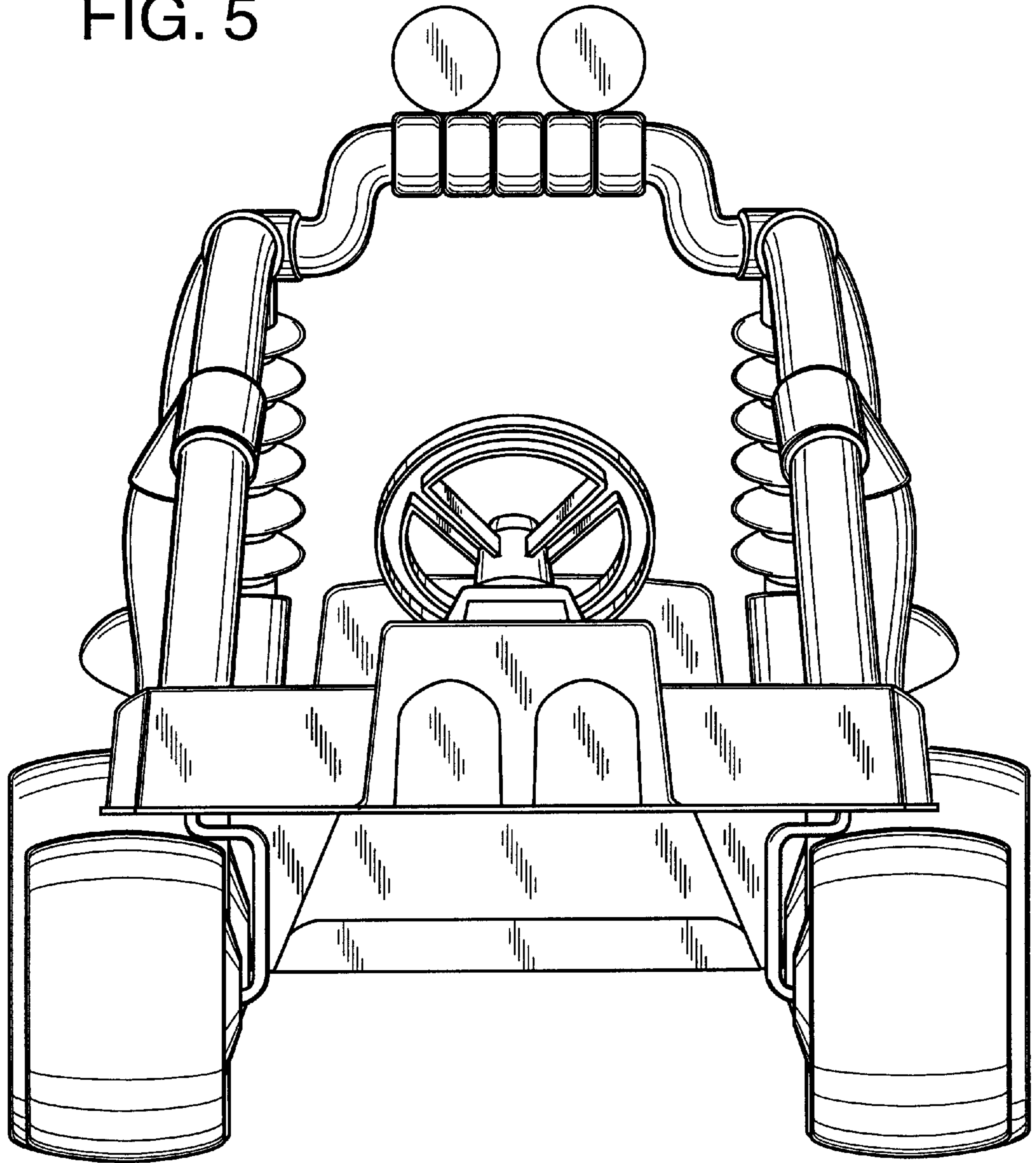


FIG. 6

