



US00D436140S

(12) **United States Design Patent**
Himstedt

(10) **Patent No.:** **US D436,140 S**

(45) **Date of Patent:** **** Jan. 9, 2001**

(54) **WAGON**

(76) **Inventor:** **Annette Himstedt**, Karl-Schurz-Str. 27,
D-33100, Paderborn (DE)

(**) **Term:** **14 Years**

(21) **Appl. No.:** **29/125,665**

(22) **Filed:** **Jun. 28, 2000**

(30) **Foreign Application Priority Data**

Dec. 29, 1999 (DE) 4 99 12 229

(51) **LOC (7) Cl.** **21-01**

(52) **U.S. Cl.** **D21/425; D21/535**

(58) **Field of Search** D21/419-426,
D21/533-536; D12/129; 446/470, 471,
440, 78, 76, 80, 313, 426, 428; 280/250.1,
87.01, 642, 643, 658, 647, 47.38, 87.051

(56) **References Cited**

U.S. PATENT DOCUMENTS

D. 270,553 * 9/1983 Echterling D21/535

D. 308,552 * 6/1990 Klawitter D21/425

D. 359,317 * 6/1995 Huang D21/535

D. 369,993 * 5/1996 Gonzales D12/129

D. 382,917 * 8/1997 Brodoski D21/425

* cited by examiner

Primary Examiner—Raphael Barkai

(74) *Attorney, Agent, or Firm*—Bachman & LaPointe, P.C.

(57) **CLAIM**

The ornamental design for a wagon, as shown and described.

DESCRIPTION

FIG. 1 is a perspective view of the wagon of the present invention;

FIG. 2 is a side view of the wagon of FIG. 1;

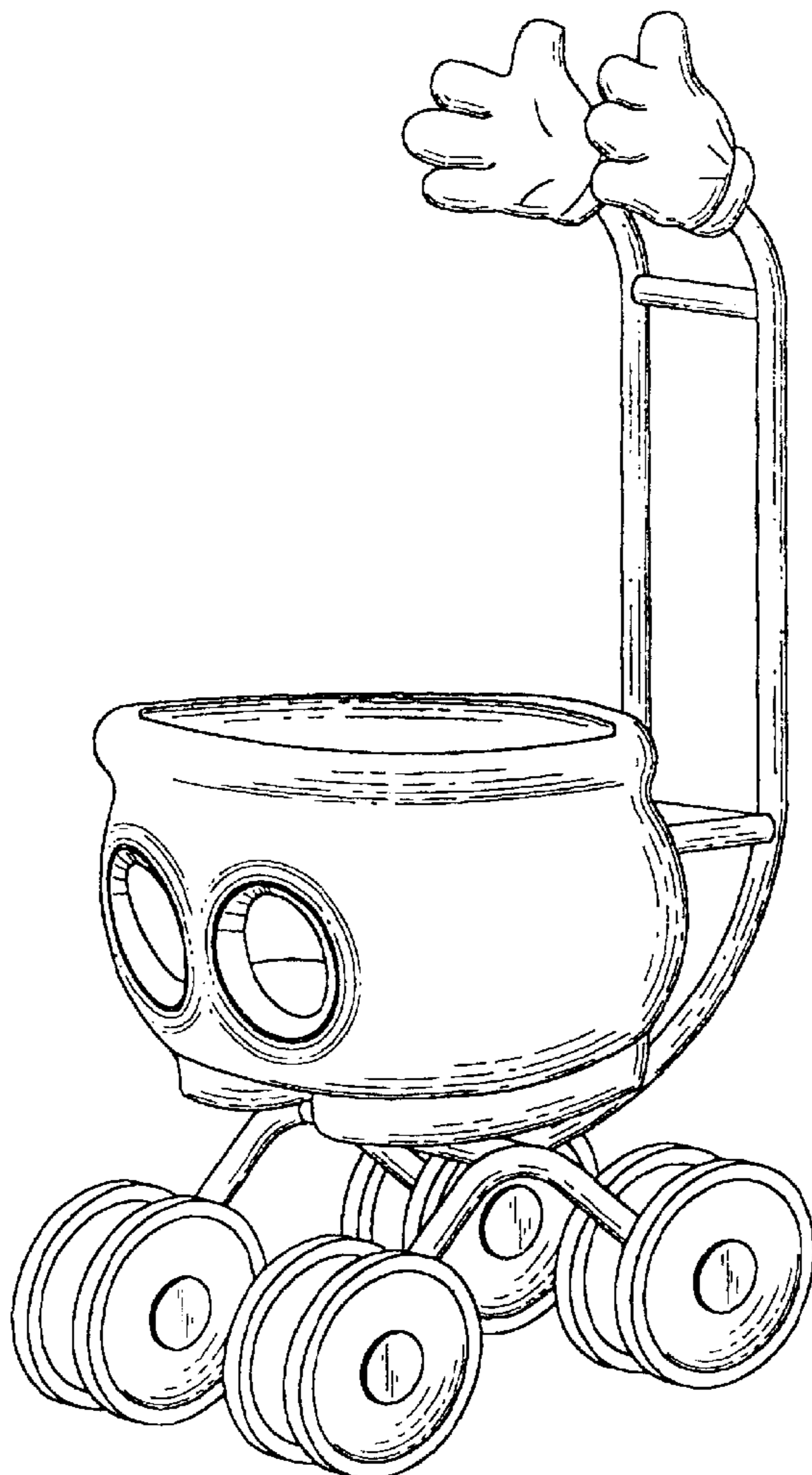
FIG. 3 is a rear view of the wagon of FIG. 1;

FIG. 4 is a front view of the wagon of FIG. 1;

FIG. 5 is a top view of the wagon of FIG. 1; and,

FIG. 6 is a bottom view of the wagon of FIG. 1.

1 Claim, 3 Drawing Sheets



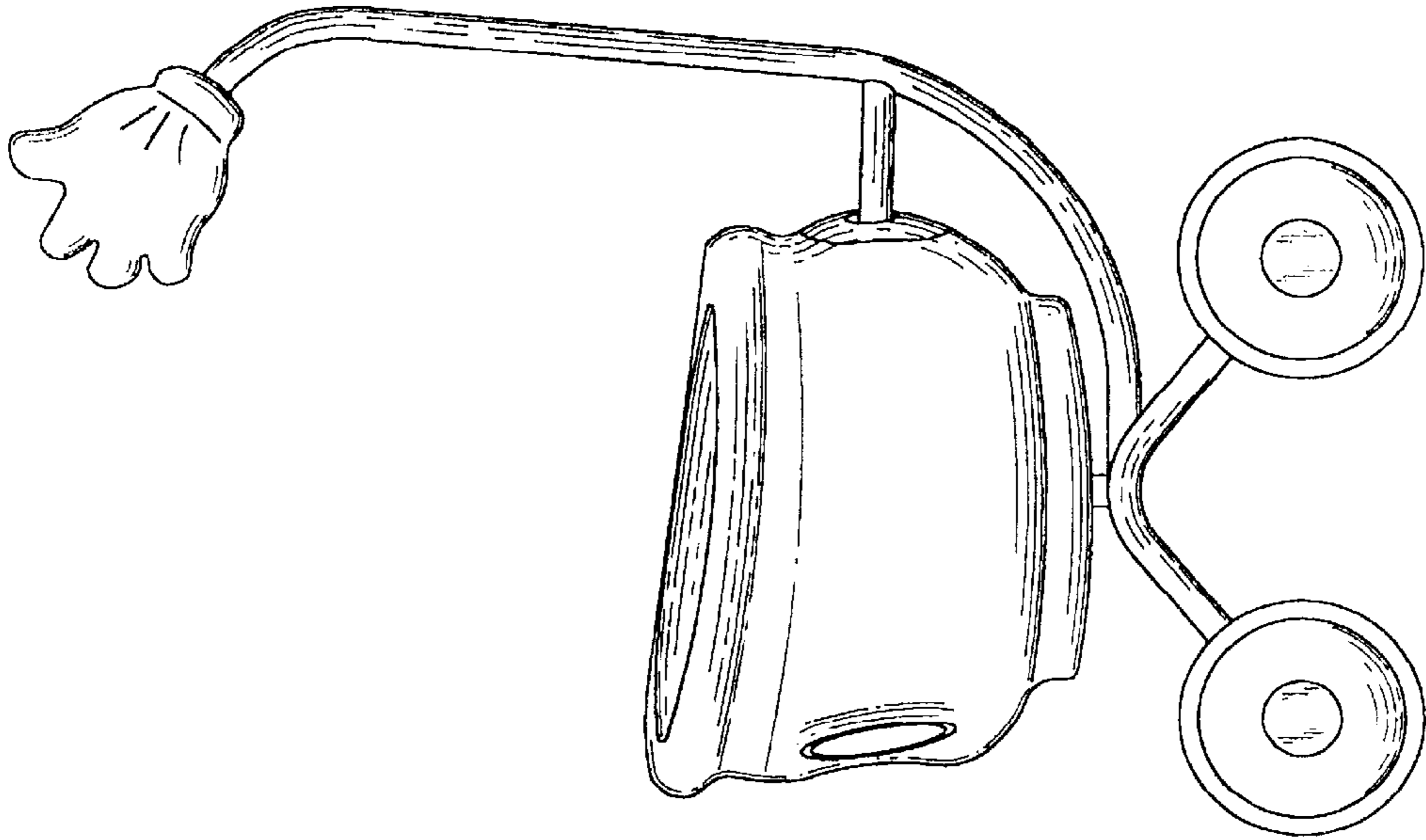


FIG. 2

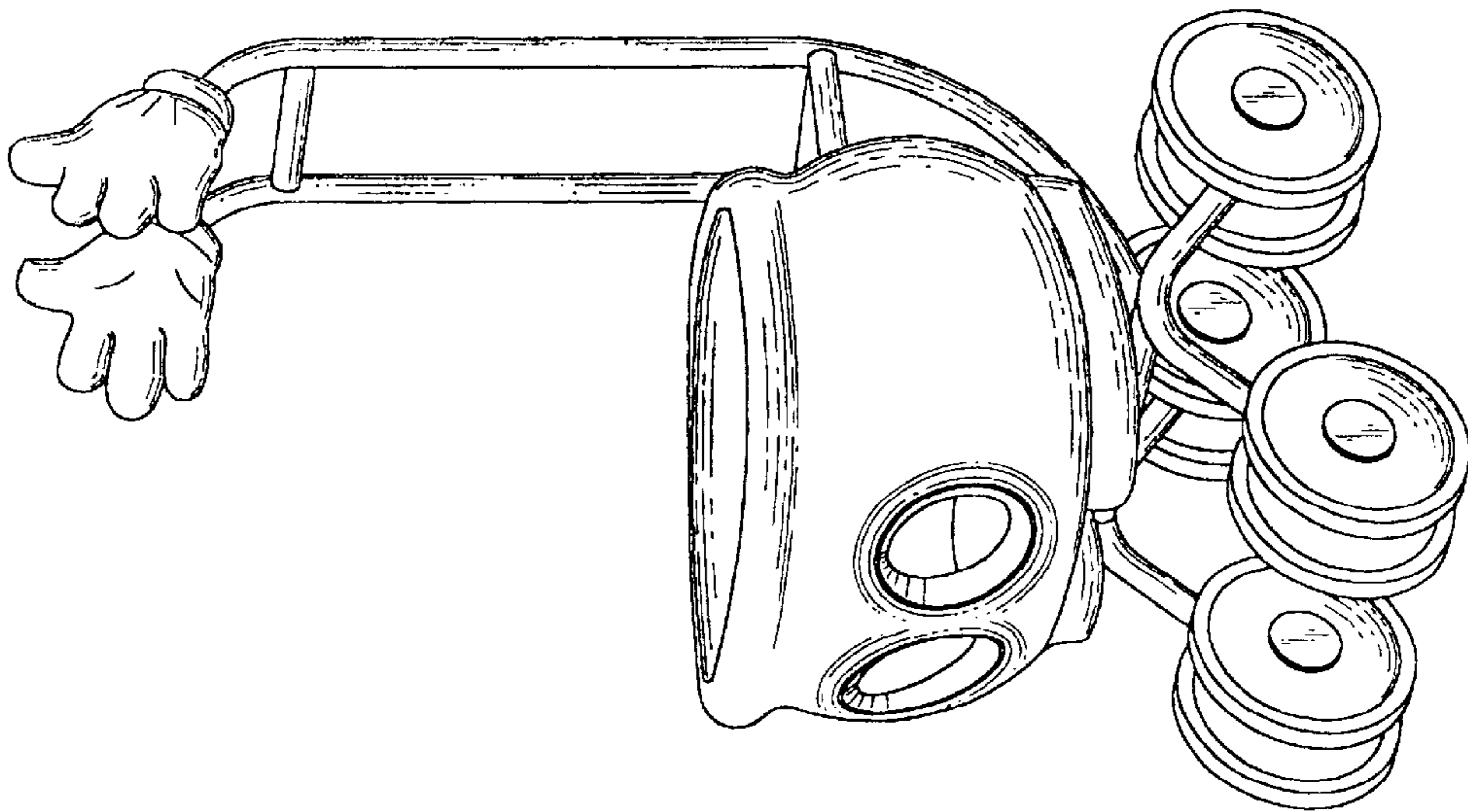


FIG. 1

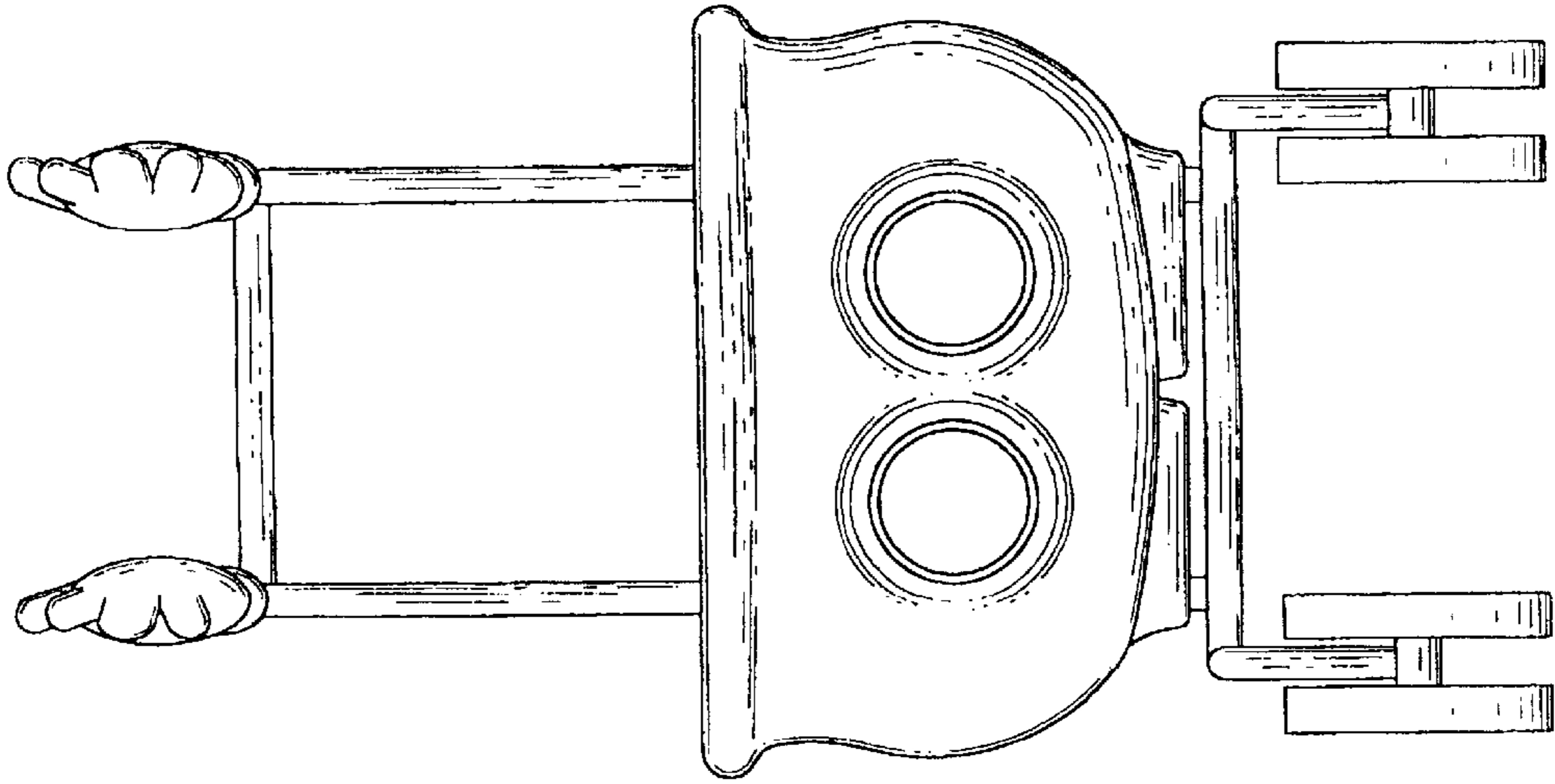


FIG. 4

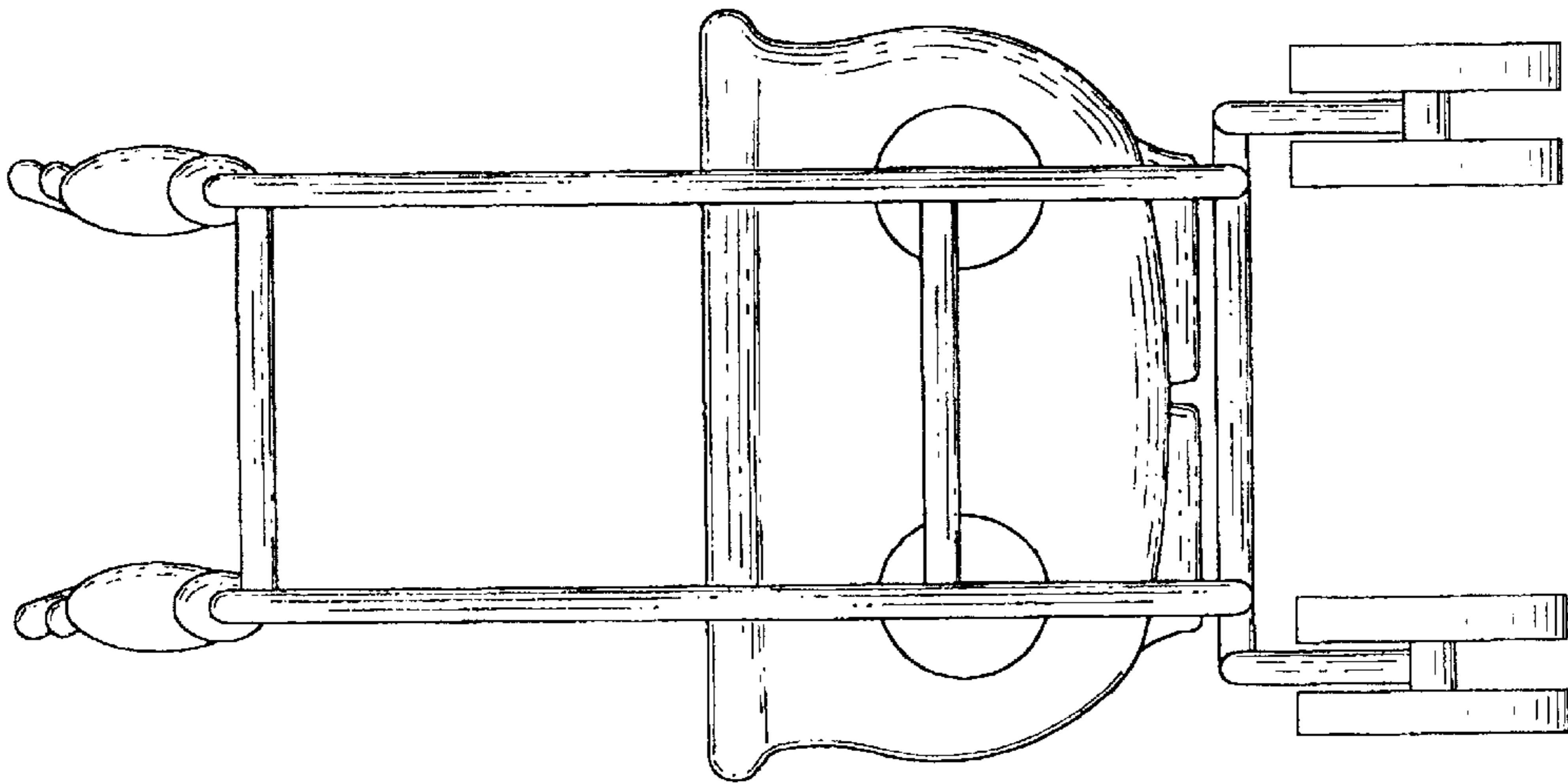


FIG. 3

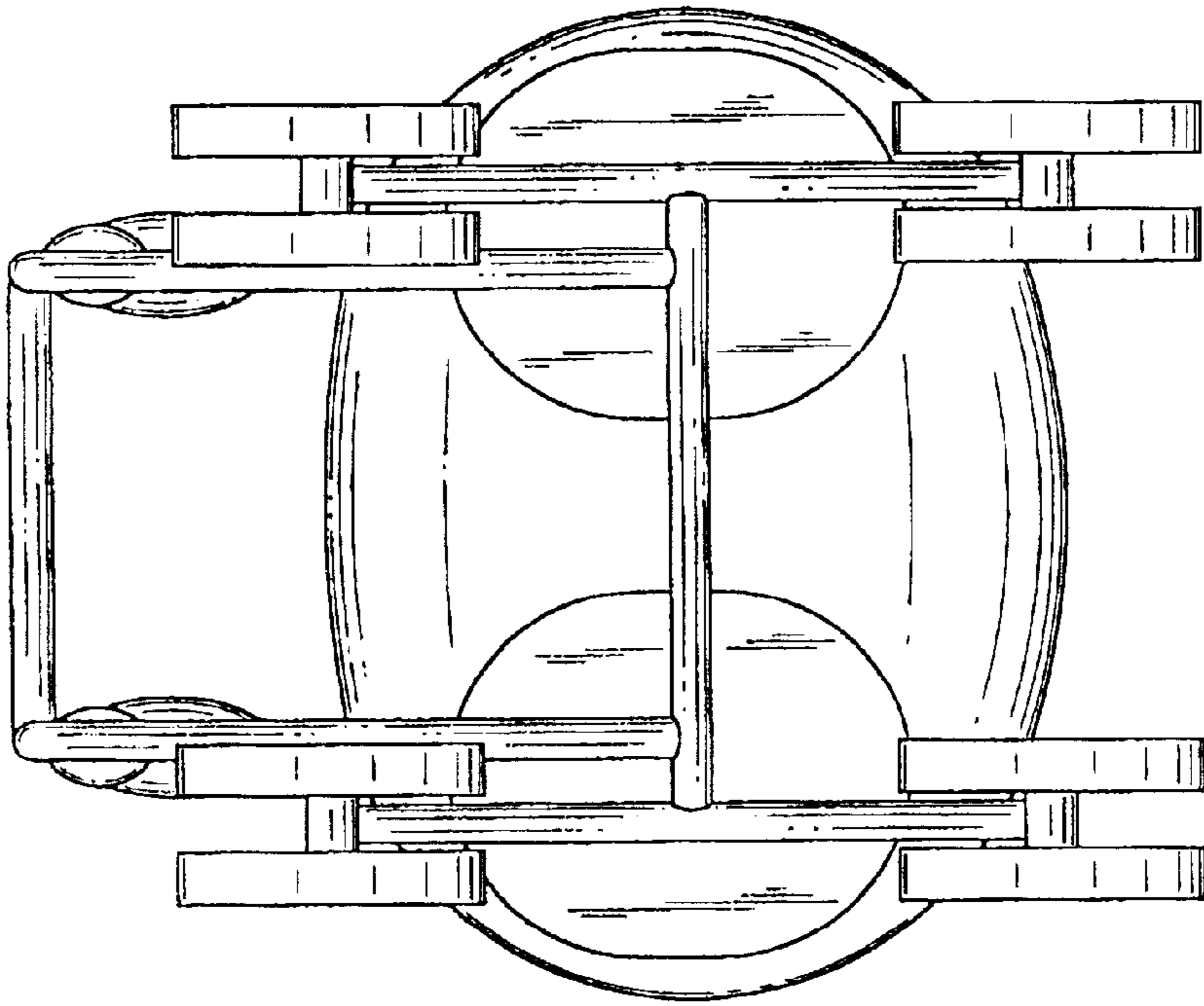


FIG. 6

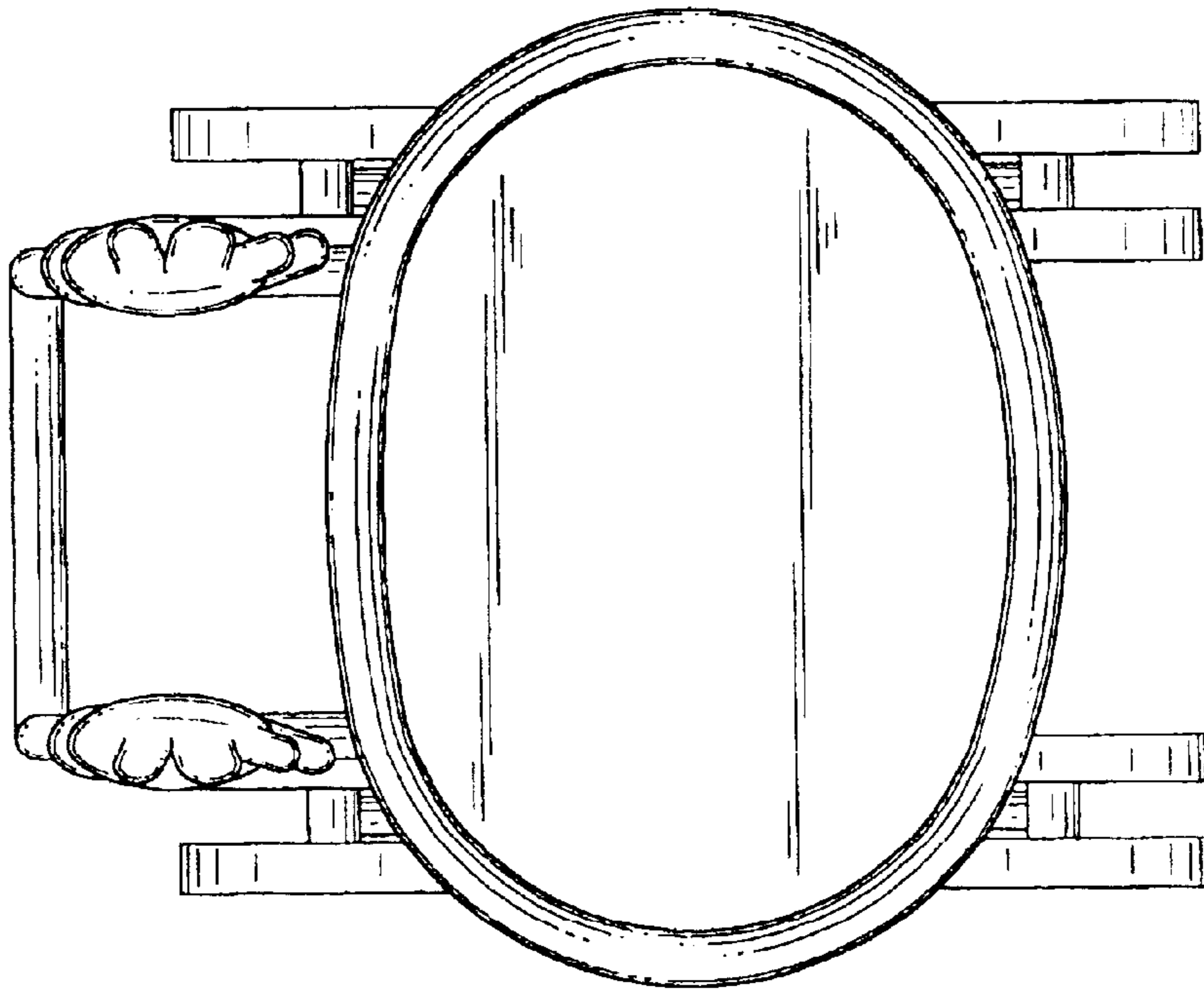


FIG. 5