



US00D436138S

(12) **United States Design Patent**
Chiasson

(10) **Patent No.:** **US D436,138 S**

(45) **Date of Patent:** **** Jan. 9, 2001**

(54) **AERODYNAMIC GOLF CLUB SHAFT**

(76) Inventor: **James P. Chiasson**, 603 S. Prospect St.,
Burlington, VT (US) 05401

(**) Term: **14 Years**

(21) Appl. No.: **29/060,040**

(22) Filed: **Sep. 20, 1996**

(51) **LOC (7) Cl.** **21-02**

(52) **U.S. Cl.** **D21/221**

(58) **Field of Search** D21/221, 220;
473/288, 289, 316-323

(56) **References Cited**

U.S. PATENT DOCUMENTS

D. 118,594	*	1/1940	Heddon	D21/221
1,435,311		11/1922	Knight	.	
1,528,017		3/1925	Gammeter	.	
2,085,915		7/1937	MacCallum	273/80
4,555,112		11/1985	Masghati	273/77 A
4,725,060		2/1988	Iwanaga	273/77 A

(List continued on next page.)

FOREIGN PATENT DOCUMENTS

9417874		8/1994	(WO)	A63C 11/22
---------	--	--------	------	-------	------------

OTHER PUBLICATIONS

Golf World; p. 7; Golf club shaft, Feb. 1978.*

Primary Examiner—Ted Shooman

Assistant Examiner—Mitchell I. Siegel

(74) *Attorney, Agent, or Firm*—Downs Rachlin & Martin
PLLC

(57) **CLAIM**

The ornamental design for an aerodynamic golf club shaft,
as shown and described.

DESCRIPTION

FIG. 1 is a front elevation view of a first embodiment of the
aerodynamic golf club shaft design of the present invention;

FIG. 2 is a partial side elevation view of the design shown
in FIG. 1 taken at the end of the shaft to which the golf club
head is attached;

FIG. 3 is an enlarged broken front elevation view of the
design shown in FIG. 1 illustrating opposite ends of the golf
club shaft design;

FIG. 4 is a bottom end view of the design shown in FIG. 1;

FIG. 5 is a top end view of the design shown in FIG. 1;

FIG. 6 is a front elevation view of a second embodiment of
the aerodynamic golf club shaft design of the present
invention;

FIG. 7 is a partial side elevation of the design shown in FIG.
6 taken at the end of the golf club shaft to which the golf club
head is attached;

FIG. 8 is an enlarged broken front elevation view of the
design shown in FIG. 6 illustrating opposite ends of the
design;

FIG. 9 is a top view of the design shown in FIG. 6, the
opposite side being identical;

FIG. 10 is a front elevation view of a third embodiment of
the aerodynamic golf club shaft design of the present
invention;

FIG. 11 is a broken partial side elevation view of the design
shown in FIG. 10;

FIG. 12 is an enlarged broken front elevation view of the
design shown in FIG. 10;

FIG. 13 is a bottom view of the design shown in FIG. 10;

FIG. 14 is a top view of the design shown in FIG. 10;

FIG. 15 is a side elevation view of the third embodiment of
the aerodynamic golf club shaft design of the present
invention;

FIG. 16 is a broken side elevation view of the design shown
in FIG. 15;

FIG. 17 is an enlarged broken front elevation view of the
design shown in FIG. 15;

FIG. 18 is a bottom view of the design shown in FIG. 15;
and,

FIG. 19 is a top view of the design shown in FIG. 15.

The broken line showing of a handle and golf club head is
for illustrative purposes only and forms no part of the claim
design.

1 Claim, 4 Drawing Sheets



US D436,138 S

Page 2

U.S. PATENT DOCUMENTS						
			5,393,581	2/1995	Mares	428/34.1
			5,534,203	7/1996	Nelson et al.	264/101
5,050,884	9/1991	Flory	5,545,094	8/1996	Hsu .	
5,251,896	10/1993	Gerlach .	5,632,692 *	5/1997	Lebovici	473/317
5,265,911	11/1993	Goode				
5,335,908	8/1994	Bamber .				

* cited by examiner

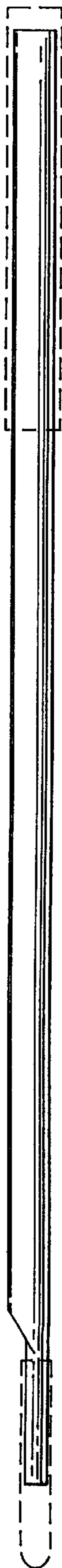


FIG. 1

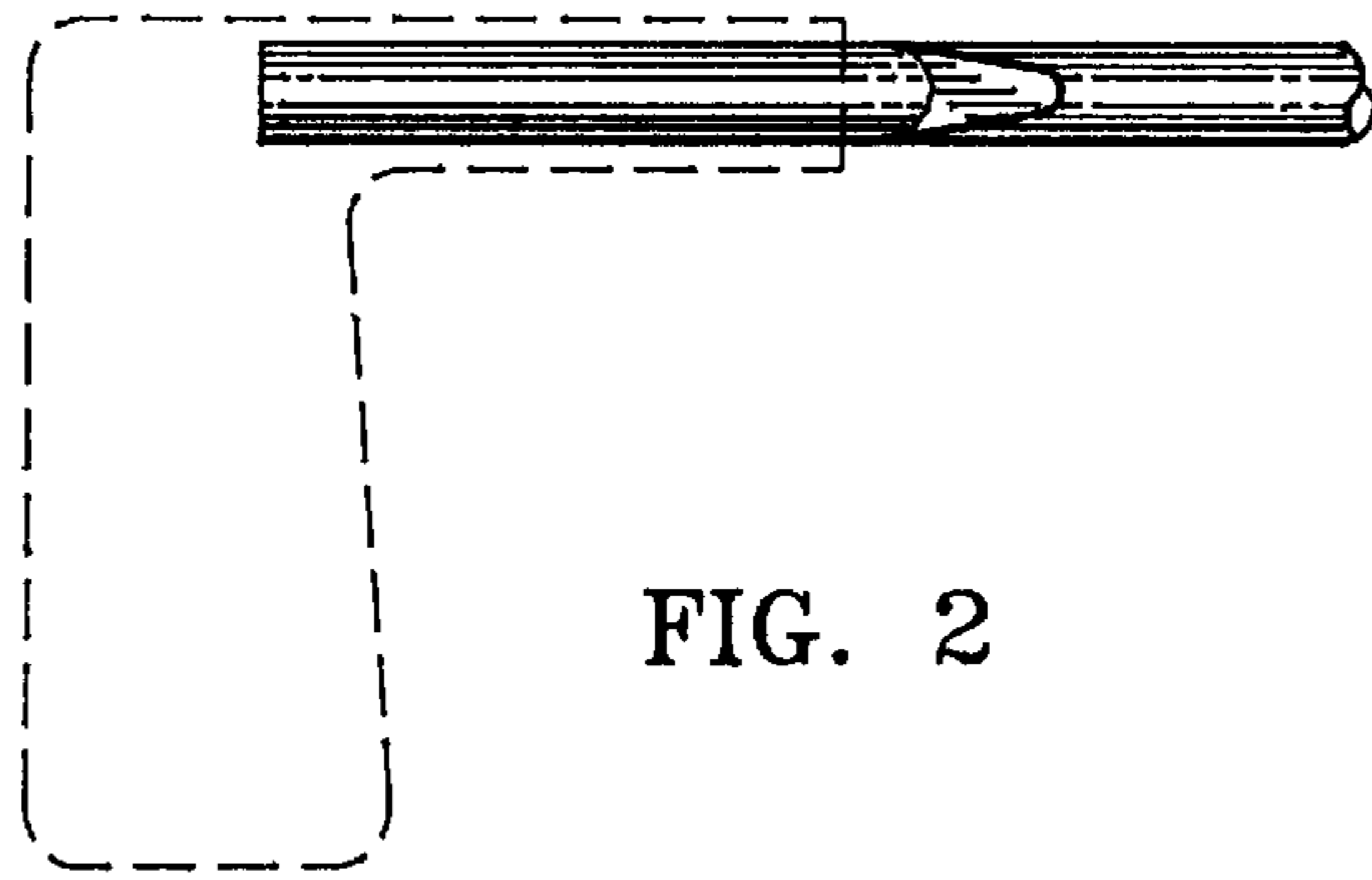


FIG. 2

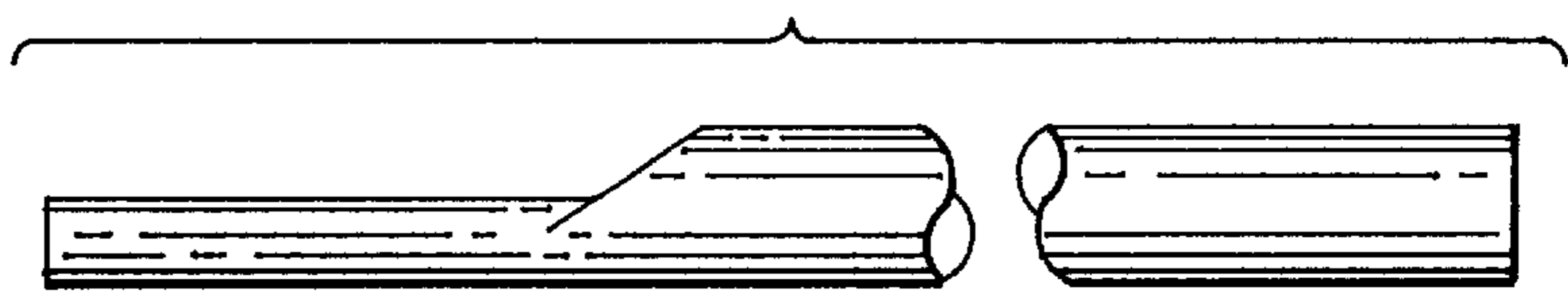


FIG. 3



FIG. 4



FIG. 5

FIG. 6

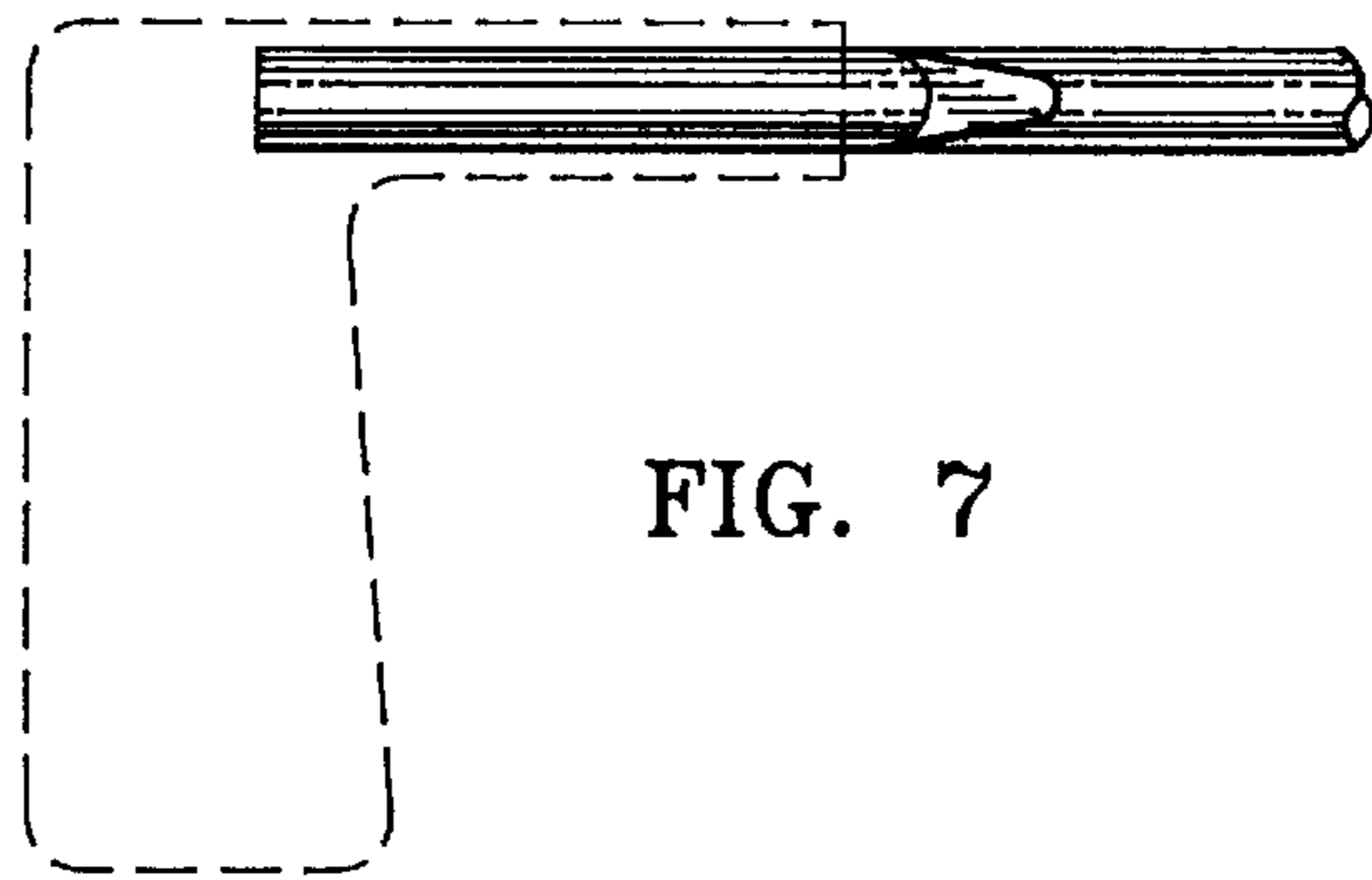
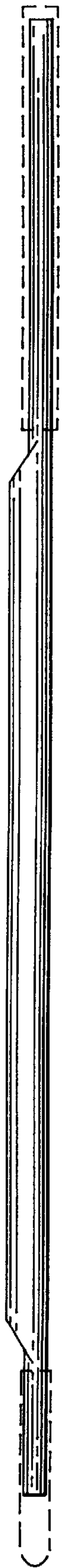


FIG. 7

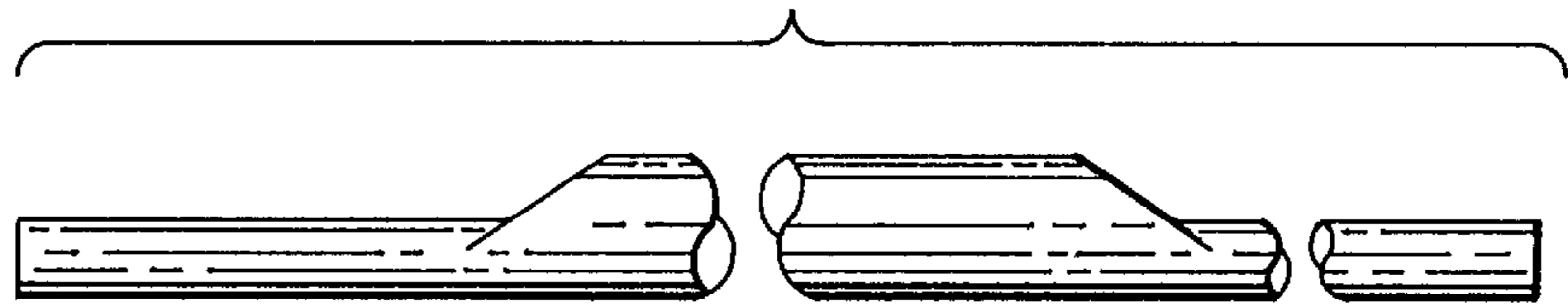


FIG. 8

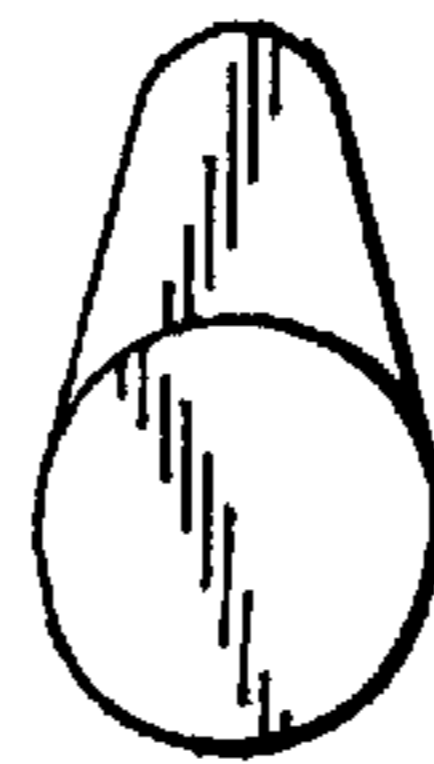


FIG. 9



FIG. 10

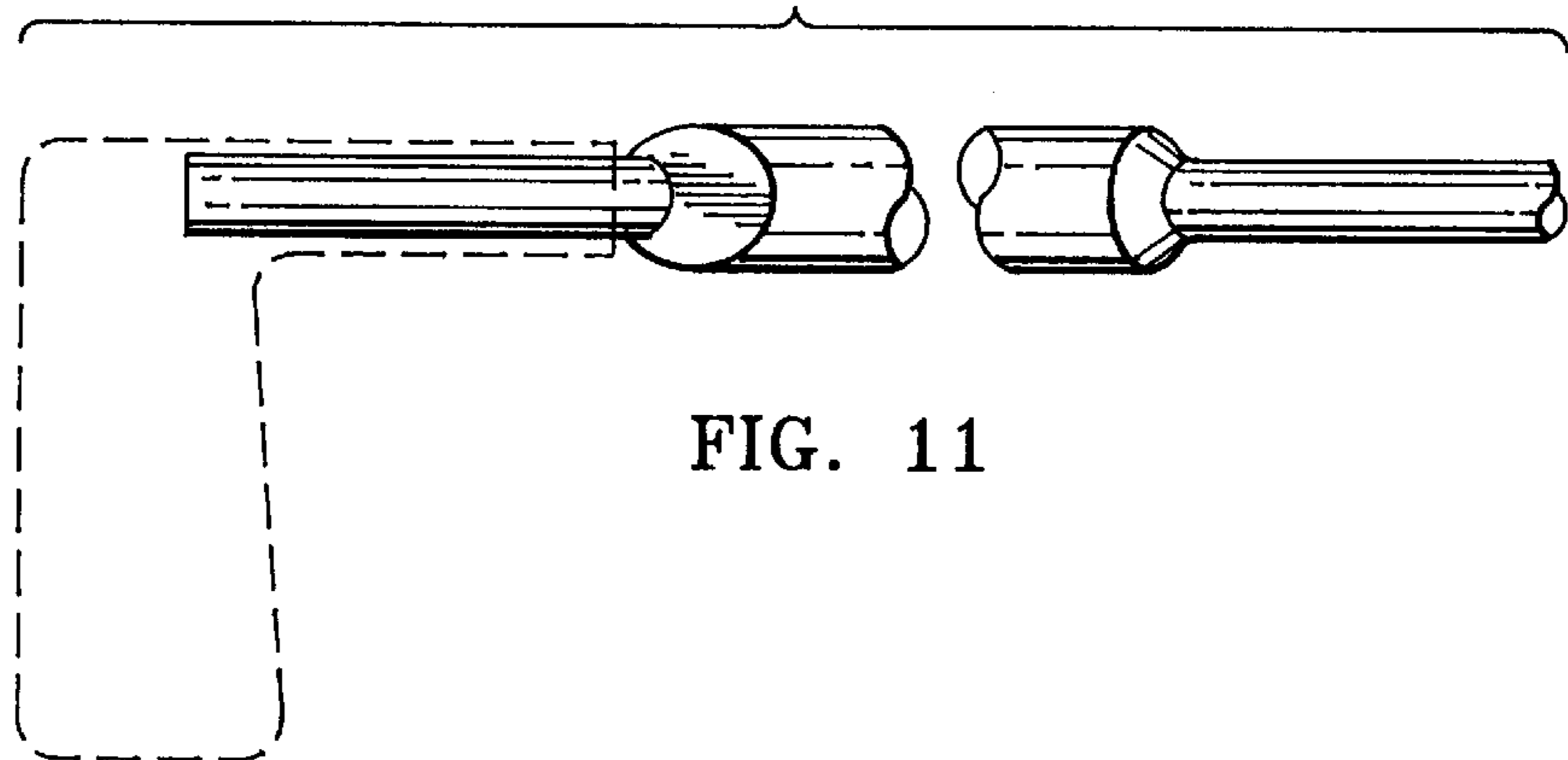


FIG. 11

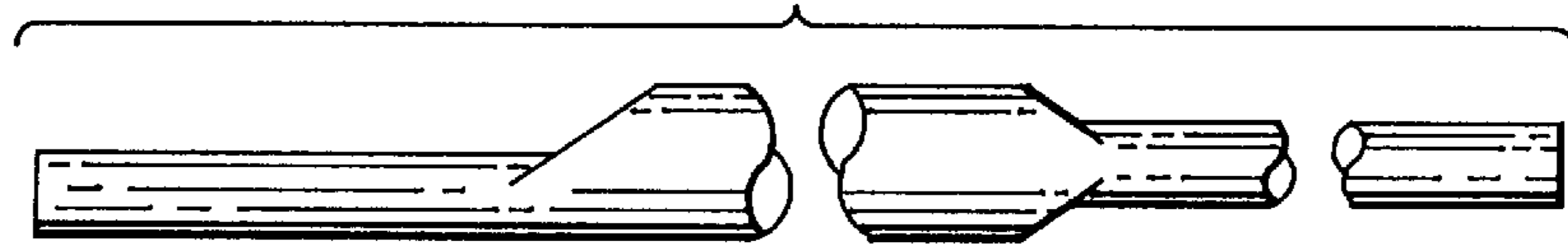


FIG. 12



FIG. 13



FIG. 14



FIG. 15

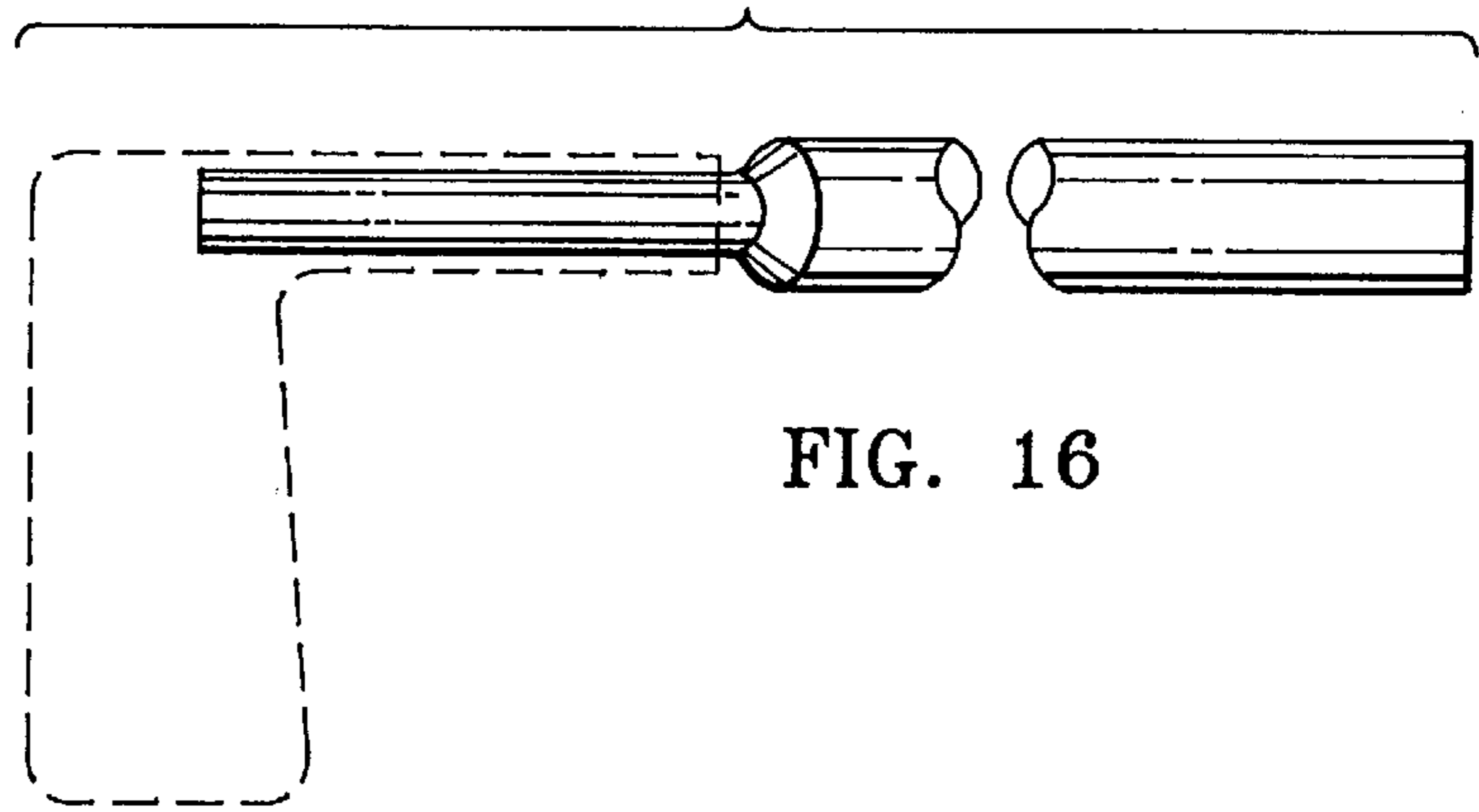


FIG. 16

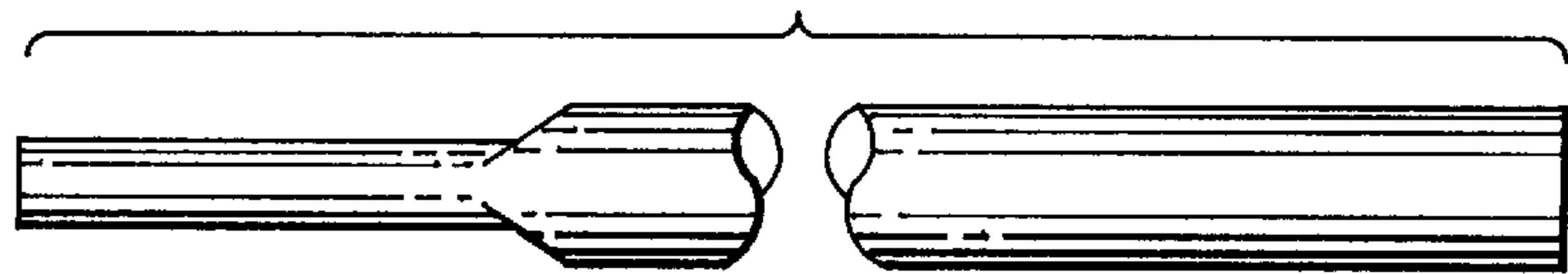


FIG. 17

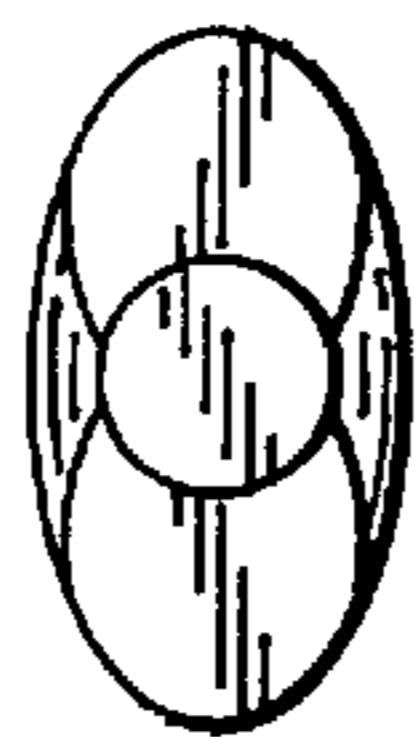


FIG. 18



FIG. 19