



US00D436135S

(12) **United States Design Patent**
Emert

(10) **Patent No.:** **US D436,135 S**

(45) **Date of Patent:** **** Jan. 9, 2001**

(54) **REAL ESTATE SIGN**

D. 395,678 * 6/1998 Treille D20/41

(76) Inventor: **David Scot Emert**, 3059 Brentmoor
Dr., St. Charles, MO (US) 63303

* cited by examiner

(**) Term: **14 Years**

Primary Examiner—Marcus A. Jackson

(74) *Attorney, Agent, or Firm*—Howell & Haferkamp, LC

(21) Appl. No.: **29/122,084**

(57) **CLAIM**

(22) Filed: **Apr. 19, 2000**

The ornamental design for a real estate sign, as shown and described.

Related U.S. Application Data

DESCRIPTION

(63) Continuation of application No. 09/187,129, filed on Nov. 5, 1998.

FIG. 1 is a perspective view of a real estate sign of my new design;

(51) **LOC (7) Cl.** **19-08**

FIG. 2 is a front elevational view of the real estate sign of FIG. 1, the back elevational view being a mirror image thereof;

(52) **U.S. Cl.** **D20/10; D20/41**

(58) **Field of Search** D20/10, 39, 40, D20/41, 99; 40/584, 585, 591, 592, 593, 606, 608, 624

FIG. 3 is a left side elevational view of the real estate sign of FIG. 1, the right side elevational view being a mirror image thereof; and,

(56) **References Cited**

FIG. 4 is a top plan view of the real estate sign of FIG. 1.

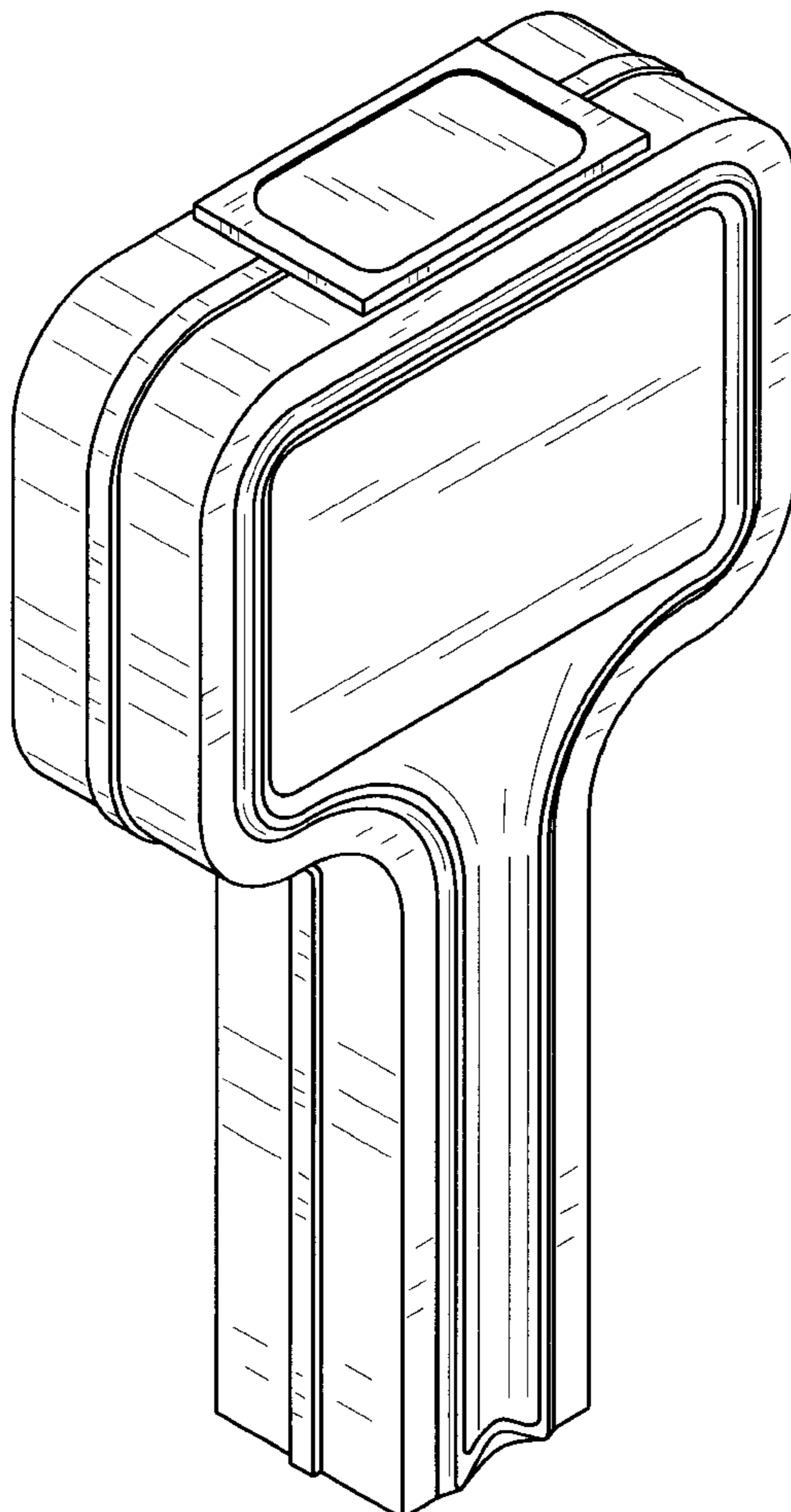
U.S. PATENT DOCUMENTS

The undisclosed bottom is flat and unornamented and forms no part of the claimed design.

D. 355,222 * 2/1995 Marshall et al. D20/41

D. 389,527 * 1/1998 Grange D20/41

1 Claim, 2 Drawing Sheets



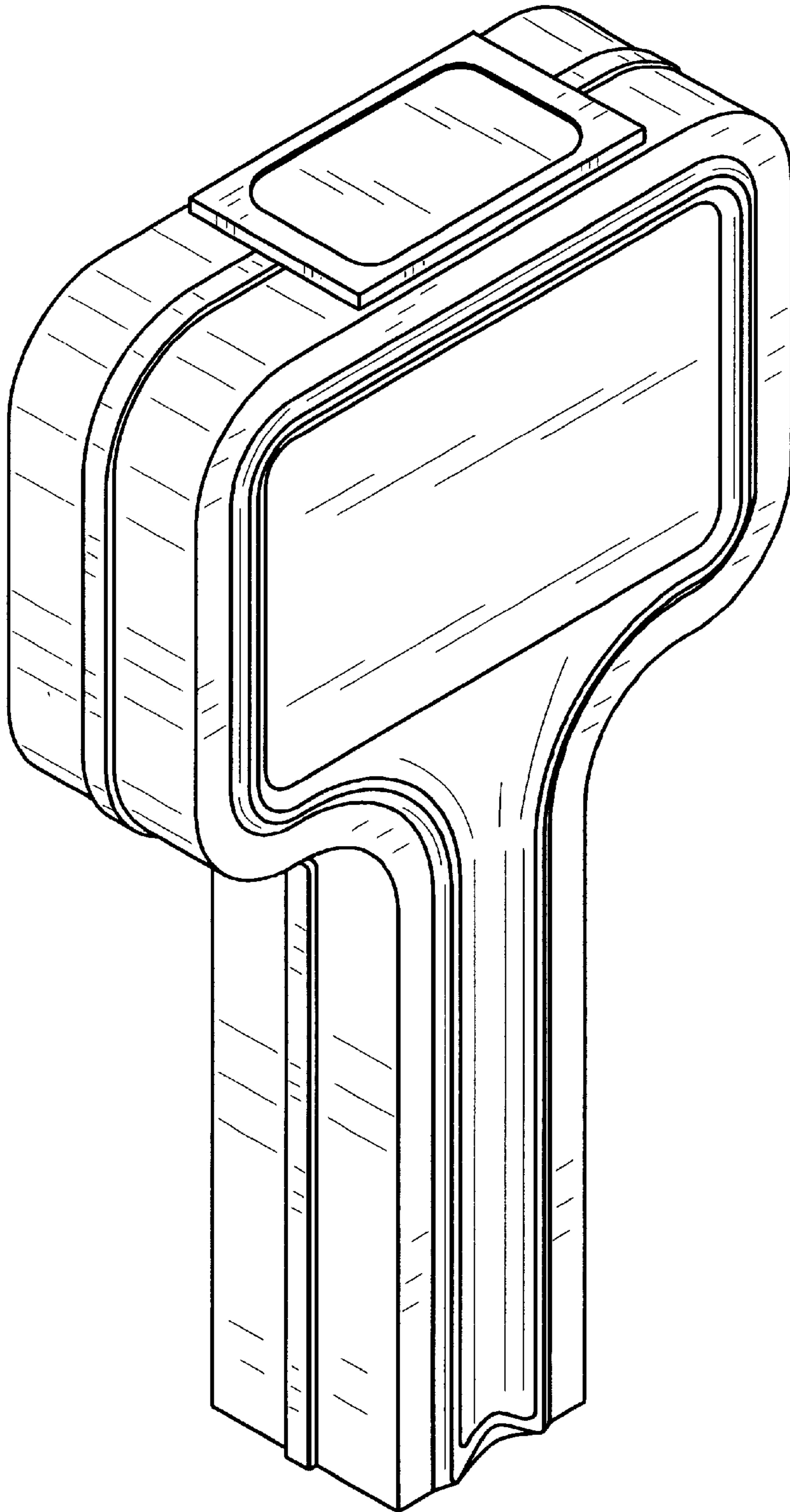


FIG. 1

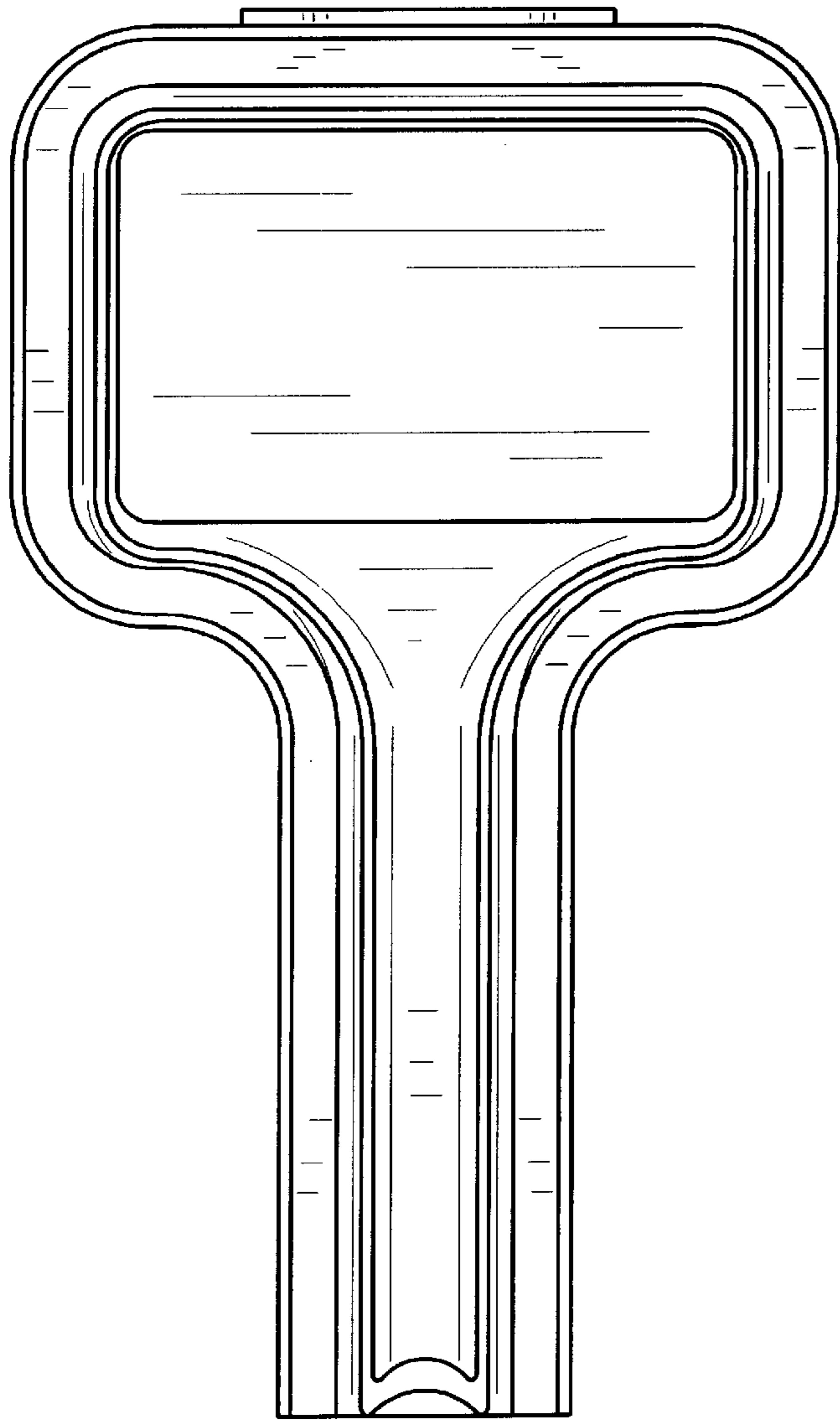


FIG. 2

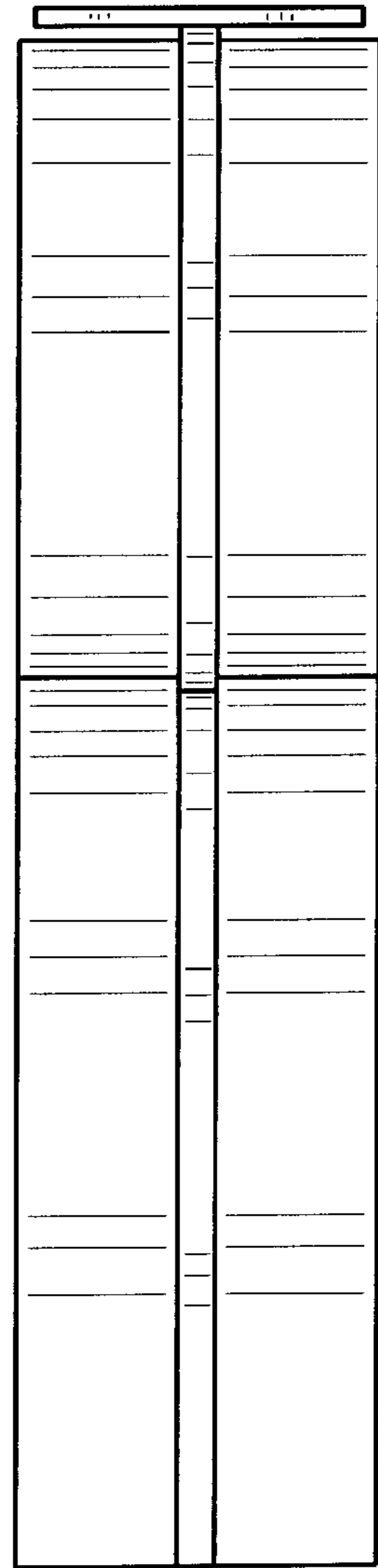


FIG. 3

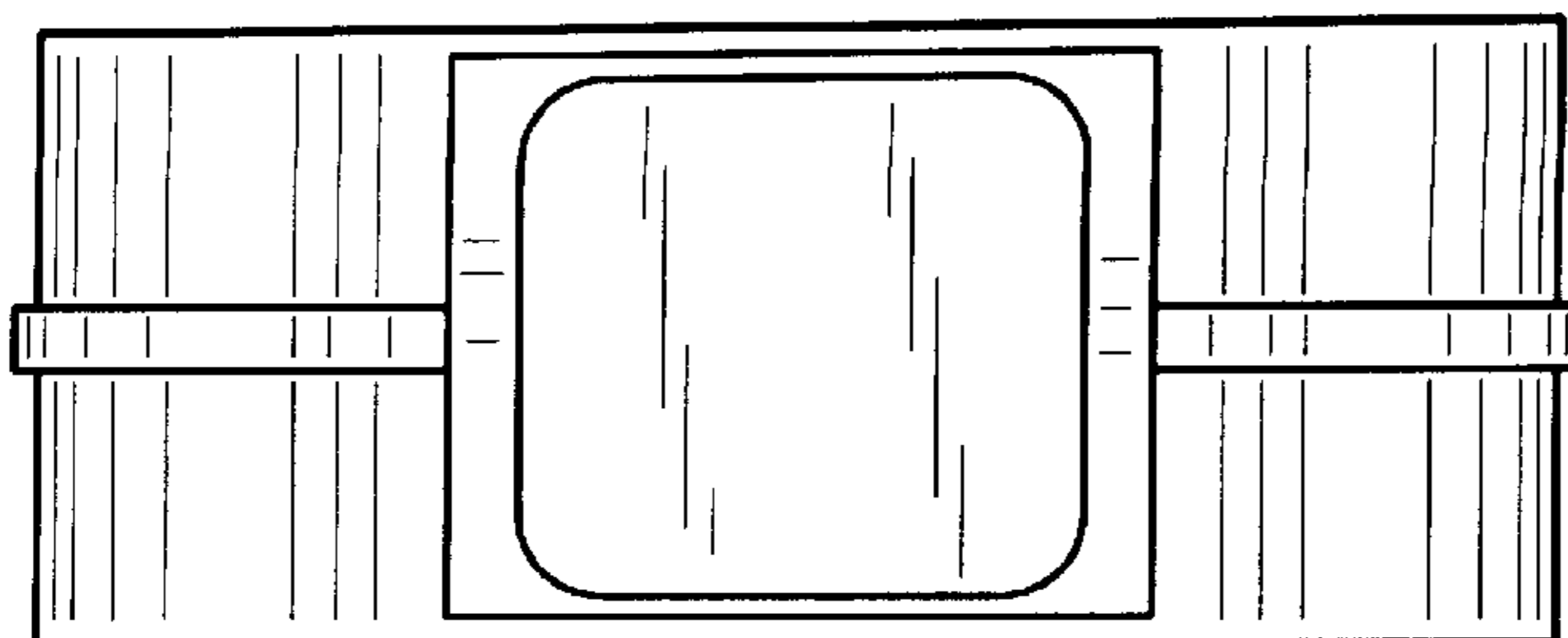


FIG. 4