



US00D436131S

(12) **United States Design Patent**  
**Lau**

(10) **Patent No.:** **US D436,131 S**

(45) **Date of Patent:** **\*\* Jan. 9, 2001**

(54) **TAPE HOLDER**

(75) **Inventor:** **Tung Yan Yen Lau, Fo Tan (CN)**

(73) **Assignee:** **Inform Designs Ltd., Fo Tan (CN)**

(\*\*) **Term:** **14 Years**

(21) **Appl. No.:** **29/120,557**

(22) **Filed:** **Mar. 21, 2000**

(51) **LOC (7) Cl.** ..... **19-02**

(52) **U.S. Cl.** ..... **D19/69; D19/67**

(58) **Field of Search** ..... **D19/65, 67-69,**  
**D19/99, 100; 206/389, 395, 396, 397, 398,**  
**411, 415; 225/6, 7, 9, 25, 34-36, 45-46,**  
**56, 65, 77, 89; 156/327, 527, 577, 523;**  
**242/588, 588.1-588.6**

(56) **References Cited**

**U.S. PATENT DOCUMENTS**

- D. 144,391 \* 4/1946 Krueger ..... D19/69
- D. 186,920 \* 12/1959 Michael ..... D19/69
- D. 198,958 \* 8/1964 Larsen ..... D19/69

- D. 242,452 \* 11/1976 Brown ..... D19/69
- D. 246,659 \* 12/1977 Vailati ..... D19/69
- D. 274,825 \* 7/1984 Lissoni ..... D19/69
- D. 333,156 \* 2/1993 Peersmann ..... D19/69

\* cited by examiner

*Primary Examiner*—Martie K. Holtje

(74) *Attorney, Agent, or Firm*—Alix, Yale & Ristas, LLP

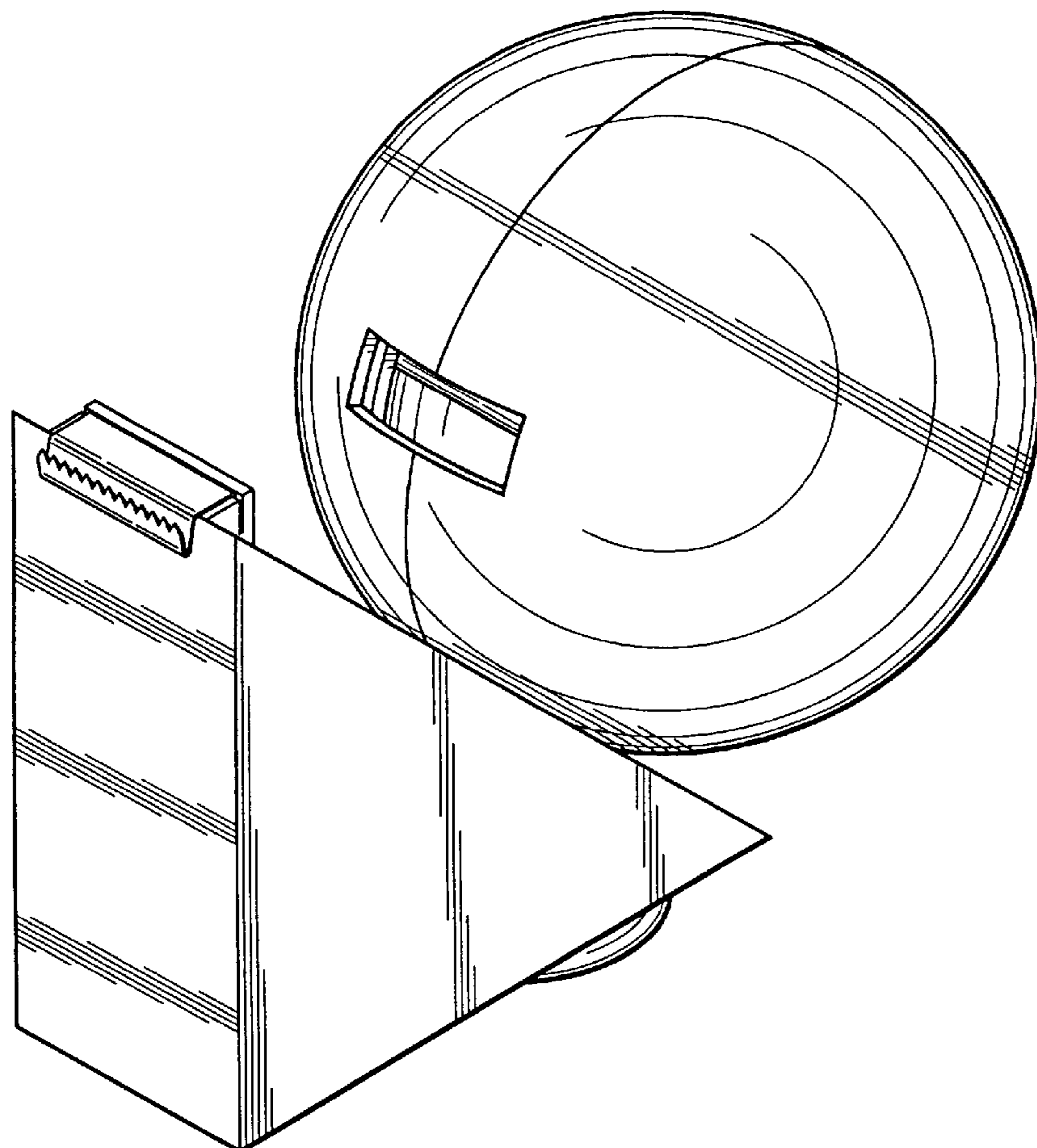
(57) **CLAIM**

The ornamental design for a tape holder, as shown and described.

**DESCRIPTION**

FIG. 1 is a front perspective view of the tape holder showing my new design;  
 FIG. 2 is a front view of the tape holder of FIG. 1;  
 FIG. 3 is a rear view of the tape holder of FIG. 1;  
 FIG. 4 is a left side view of the tape holder of FIG. 1;  
 FIG. 5 is a right side view of the tape holder of FIG. 1;  
 FIG. 6 is a top plan view of the tape holder of FIG. 1; and  
 FIG. 7 is a bottom plan view of the tape holder of FIG. 1.

**1 Claim, 4 Drawing Sheets**



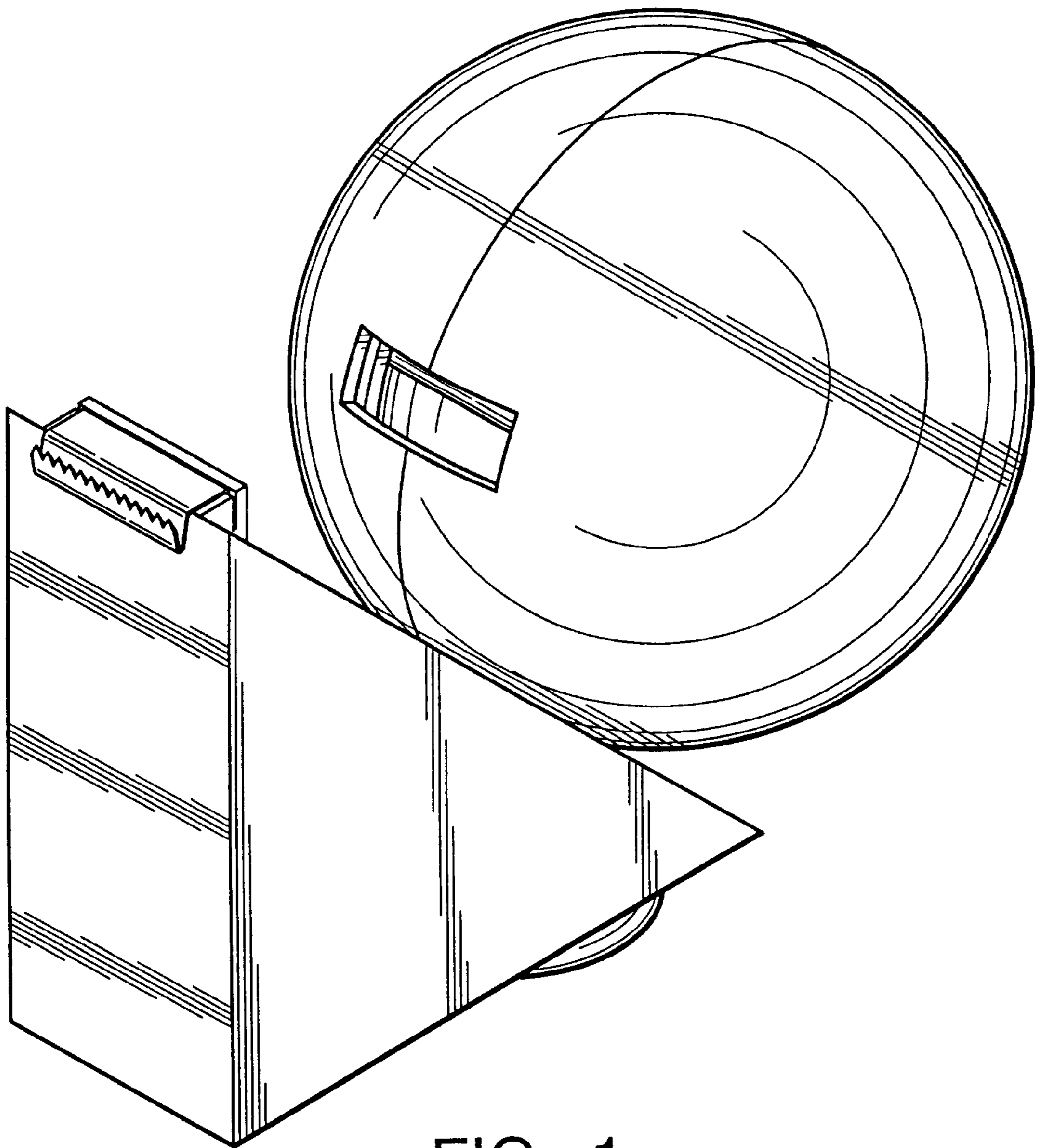


FIG. 1

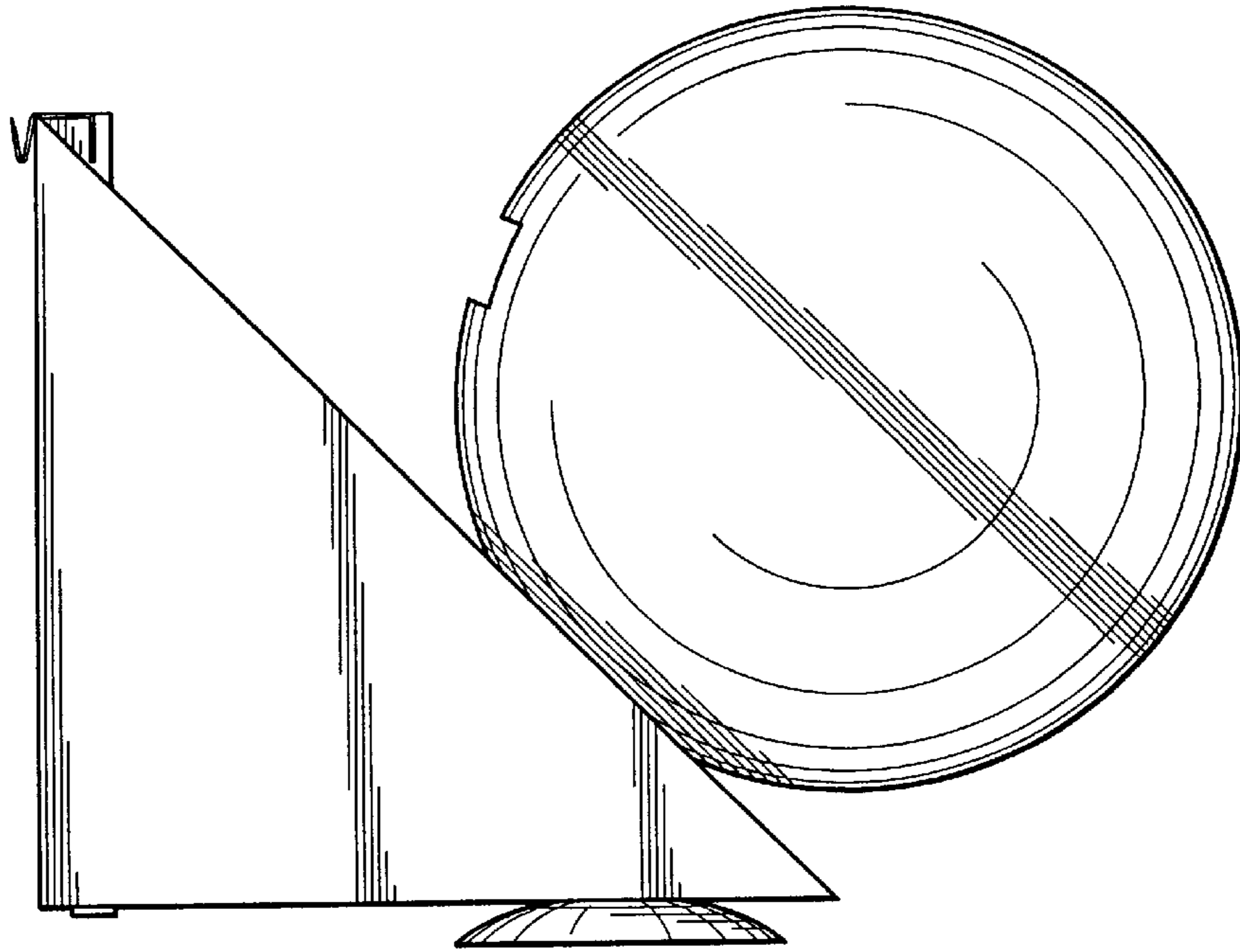


FIG. 2

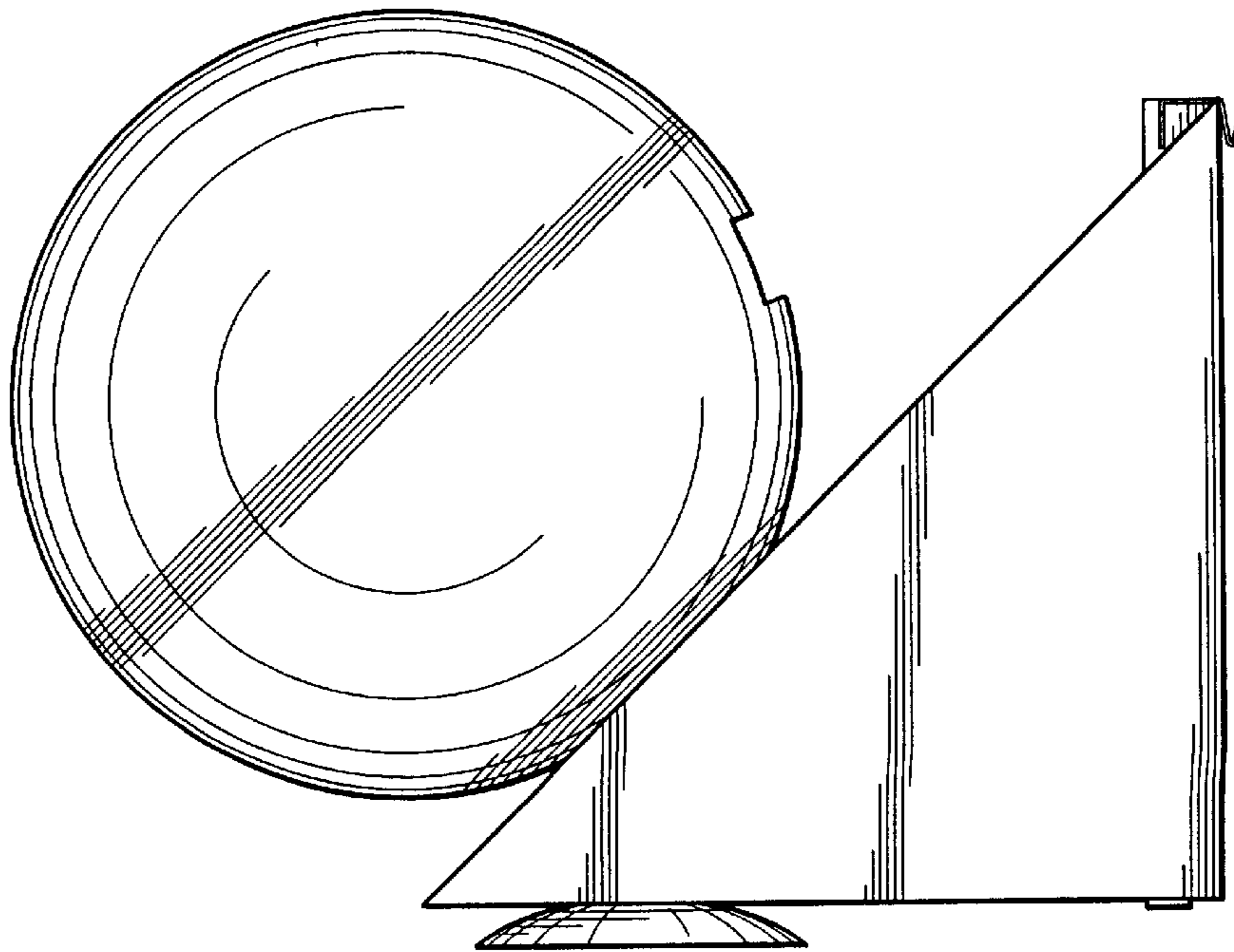


FIG. 3

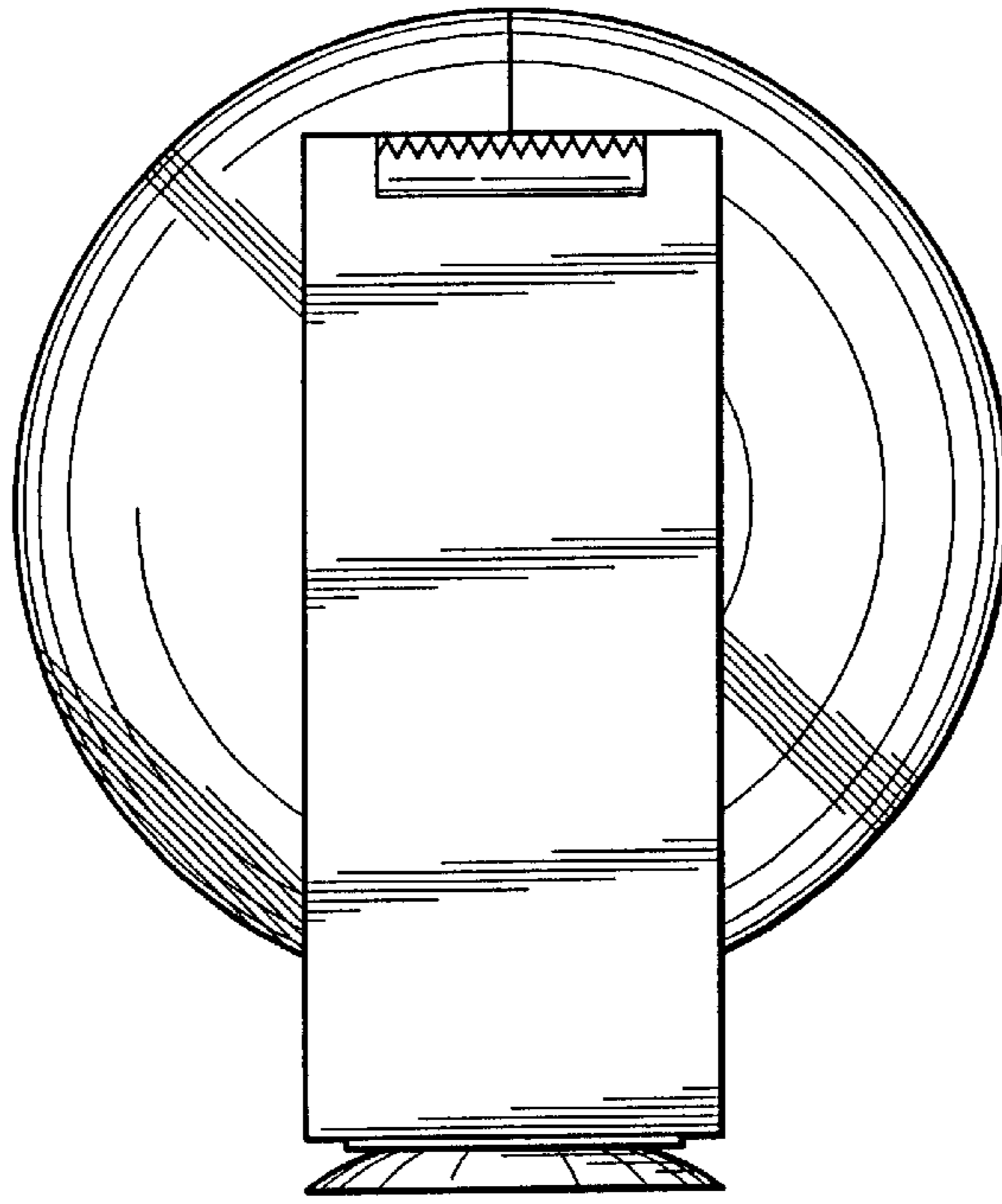


FIG. 4

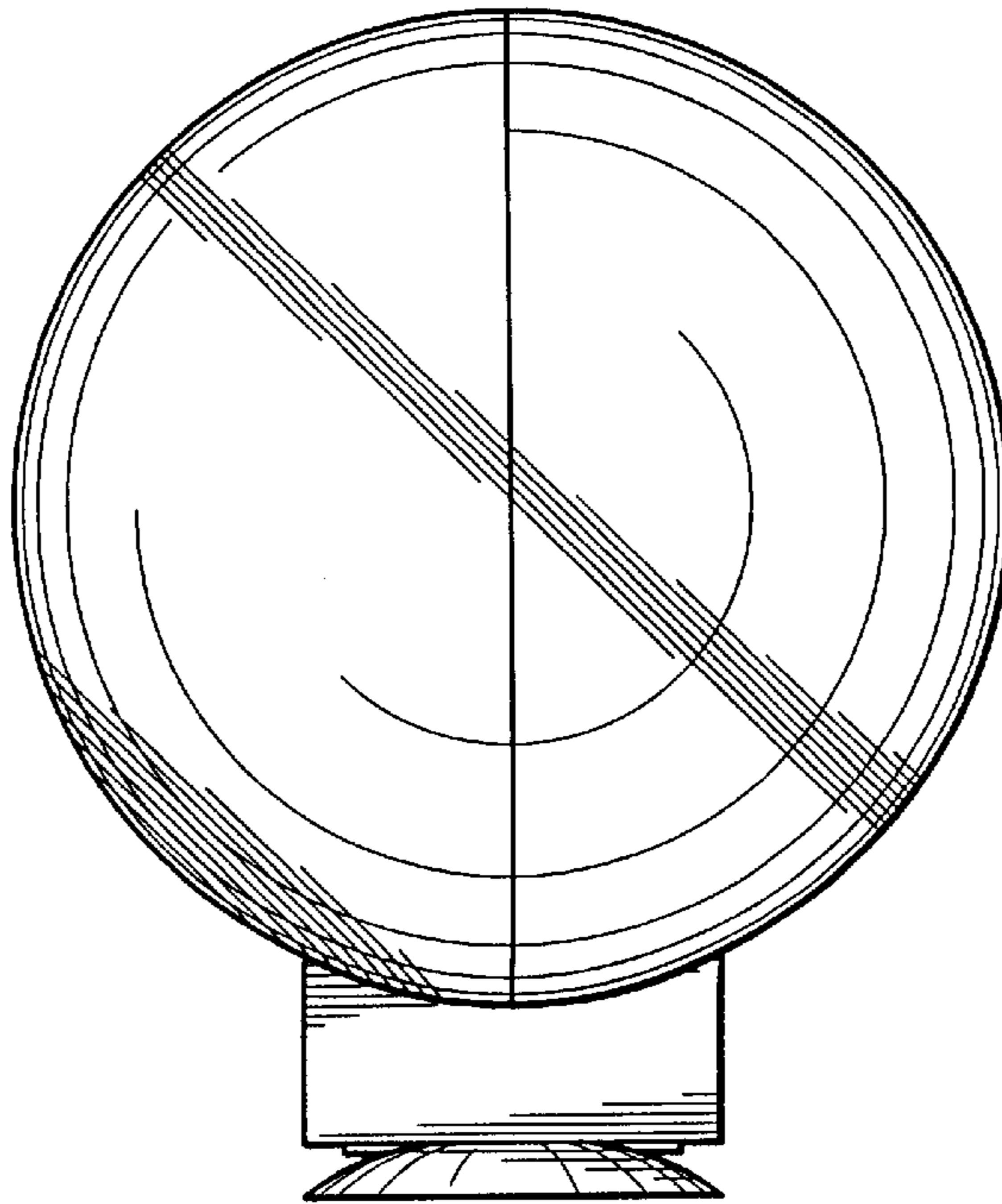


FIG. 5



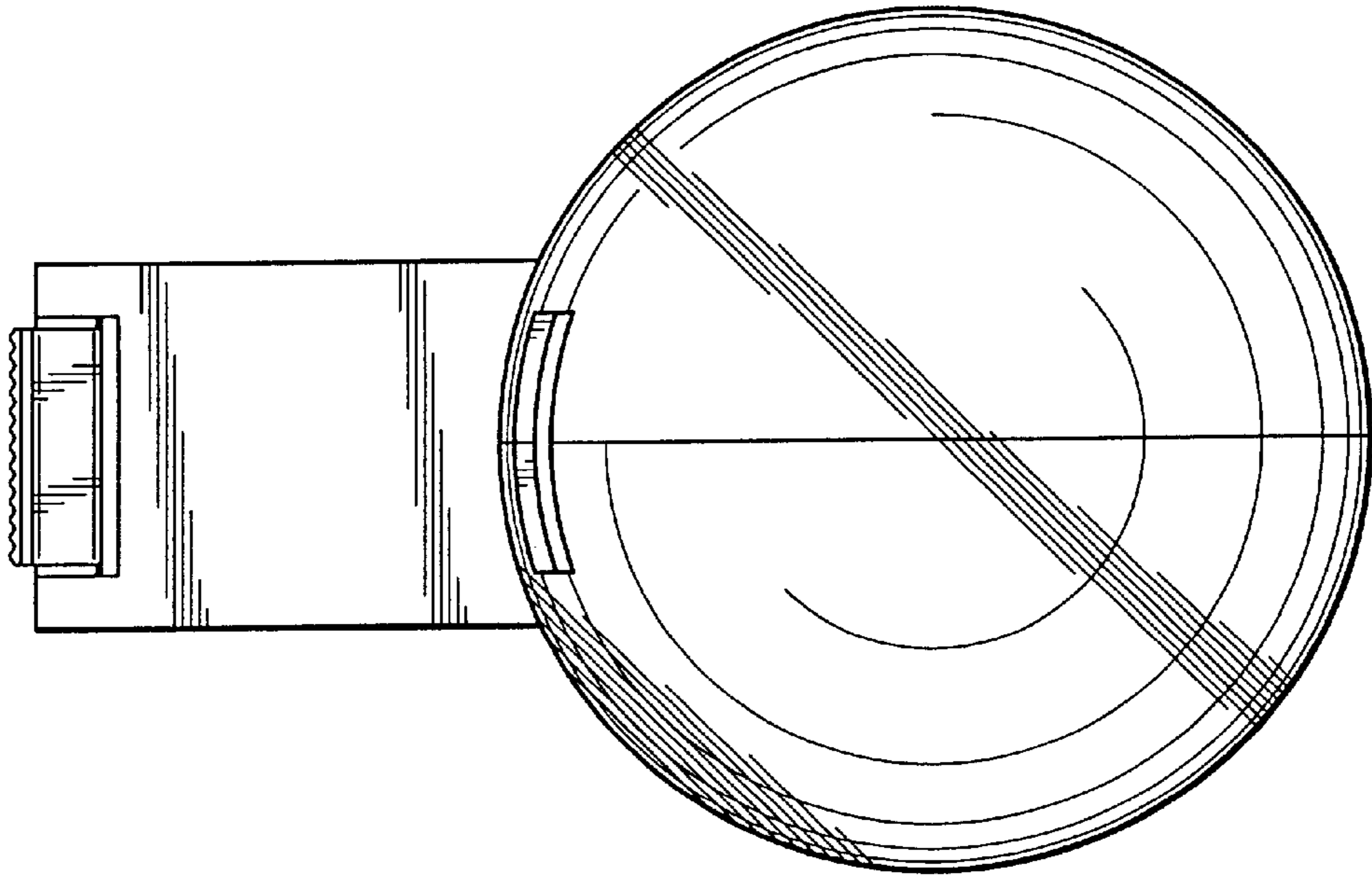


FIG. 6

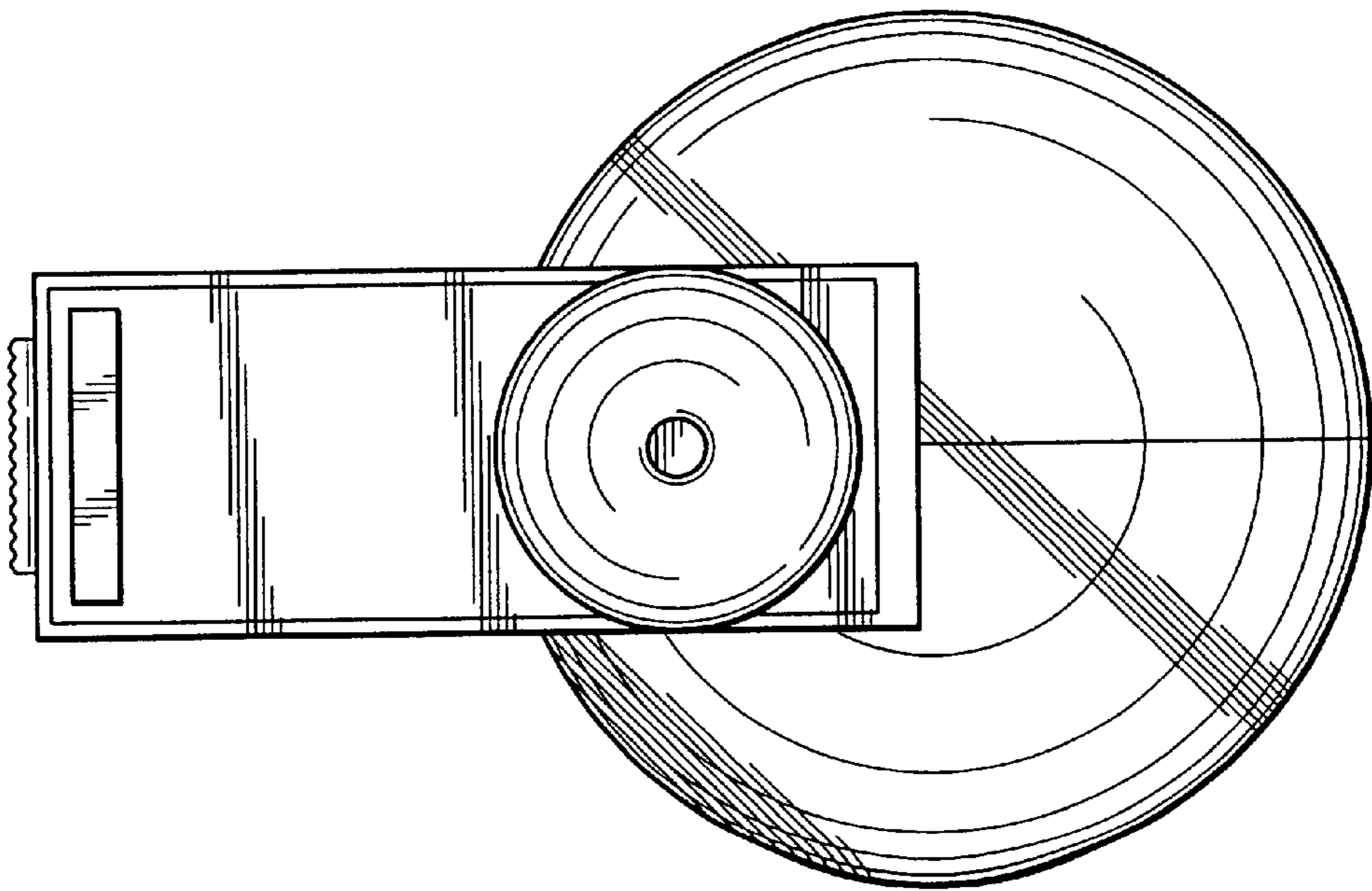


FIG. 7