



US00D436130S

(12) **United States Design Patent**
Leins

(10) **Patent No.:** **US D436,130 S**

(45) **Date of Patent:** **** Jan. 9, 2001**

(54) **MULTI-PURPOSE HAND-OPERATED OFFICE UTENSIL**

(75) Inventor: **Hanspeter Leins**, Nagold (DE)

(73) Assignee: **C-Tech AG** (CH)

(**) Term: **14 Years**

(21) Appl. No.: **29/107,736**

(22) Filed: **Jul. 9, 1999**

Related U.S. Application Data

(62) Division of application No. 29/066,304, filed on Jan. 21, 1997, now Pat. No. Des. 415,201.

(51) **LOC (7) Cl.** **19-06**

(52) **U.S. Cl.** **D19/65; D8/105**

(58) **Field of Search** **D19/65, 75, 77, D19/81-85, 99, 100; D8/98, 104, 105; 7/118, 119, 160, 158, 163, 164; 30/152**

(56) **References Cited**

U.S. PATENT DOCUMENTS

D. 302,102 7/1989 Amagaya .
D. 308,462 * 6/1990 Komatsu D8/105

(List continued on next page.)

FOREIGN PATENT DOCUMENTS

190350-3458 6/1958 (DE) .
26 25 749 A1 12/1977 (DE) .
41 10 688 A1 9/1991 (DE) .
2196896 4/1988 (GB) .
WO 84/01739 5/1984 (WO) .

OTHER PUBLICATIONS

Brochure, "Wenger, The Genuine Swiss Army Knife," 27 pages.

(List continued on next page.)

Primary Examiner—Martie K. Holtje
(74) *Attorney, Agent, or Firm*—Brinks Hofer Gilson & Lione

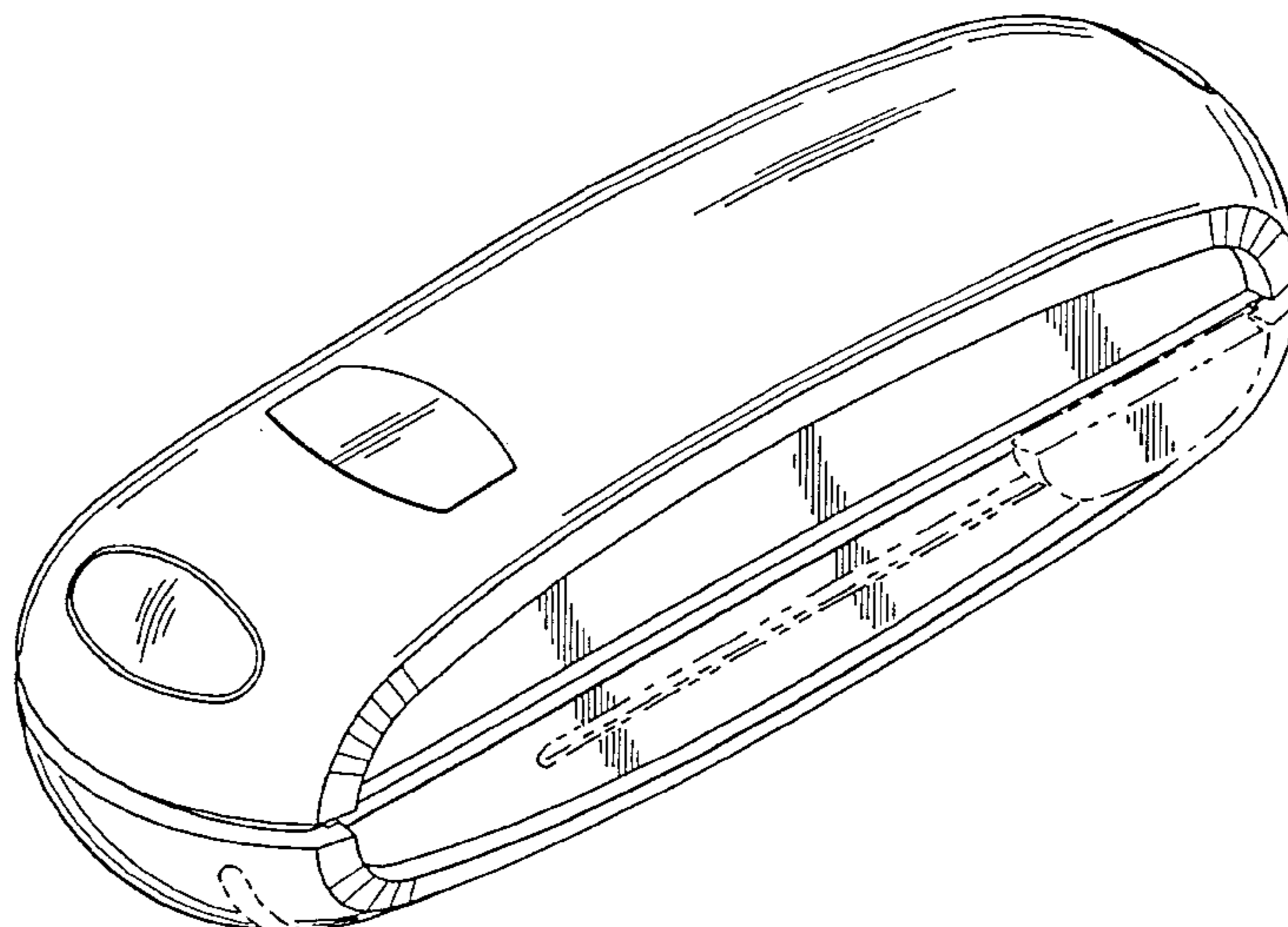
(57) **CLAIM**

The ornamental design for a multi-purpose hand-operated office utensil, as shown and described.

DESCRIPTION

FIG. 1 is a top perspective view of a multi-purpose hand-operated office utensil showing my new design; FIG. 2 is a bottom perspective view of FIG. 1; FIG. 3 is a left side elevational view of FIG. 1; FIG. 4 is a right side elevational view of FIG. 1; FIG. 5 is a top plan view of FIG. 1; FIG. 6 is a bottom plan view of FIG. 1; FIG. 7 is a rear elevational view of FIG. 1; FIG. 8 is a front elevational view of FIG. 1; FIG. 9 is a second top perspective view of my new design of FIG. 1; FIG. 10 is a bottom perspective view of FIG. 9; FIG. 11 is a left side elevational view of FIG. 9; FIG. 12 is a right side elevational view of FIG. 9; FIG. 13 is a top plan view of FIG. 9; FIG. 14 is a bottom plan view of FIG. 9; FIG. 15 is a rear elevational view of FIG. 9; FIG. 16 is a front elevational view of FIG. 9; FIG. 17 is a third top perspective view of my design of FIG. 1; FIG. 18 is a bottom perspective view of FIG. 17; FIG. 19 is a left side elevational view of FIG. 17; FIG. 20 is a right side elevational view of FIG. 17; FIG. 21 is a top plan view of FIG. 17; FIG. 22 is a bottom plan view of FIG. 17; FIG. 23 is a rear elevational view of FIG. 17; and, FIG. 24 is a front elevational view of FIG. 17. The variety of structural elements depicted by means of broken lines in FIGS. 1-24 have been shown for environmental purposes only and form no part of the claimed design.

1 Claim, 9 Drawing Sheets



US D436,130 S

Page 2

U.S. PATENT DOCUMENTS

D. 318,070 7/1991 Amagaya .
D. 321,637 * 11/1991 Chan D8/105
D. 336,415 * 6/1993 Cheng D8/105
D. 415,201 10/1999 Leins D19/65
D. 425,125 * 5/2000 Leins D19/65
662,005 11/1900 Lewis .
790,432 5/1905 Heilrath .
847,459 6/1907 Hendrickson .
4,783,867 11/1988 Tsao .

4,794,692 1/1989 Wang .

OTHER PUBLICATIONS

Brochure, "Wenger, The Genuine Swiss Army Knife™," 16 pages.

Six Photographs Showing Top, Bottom, Left-Side, Right-Side, Front, and Rear view os "MoMA PLUS" Device.

* cited by examiner

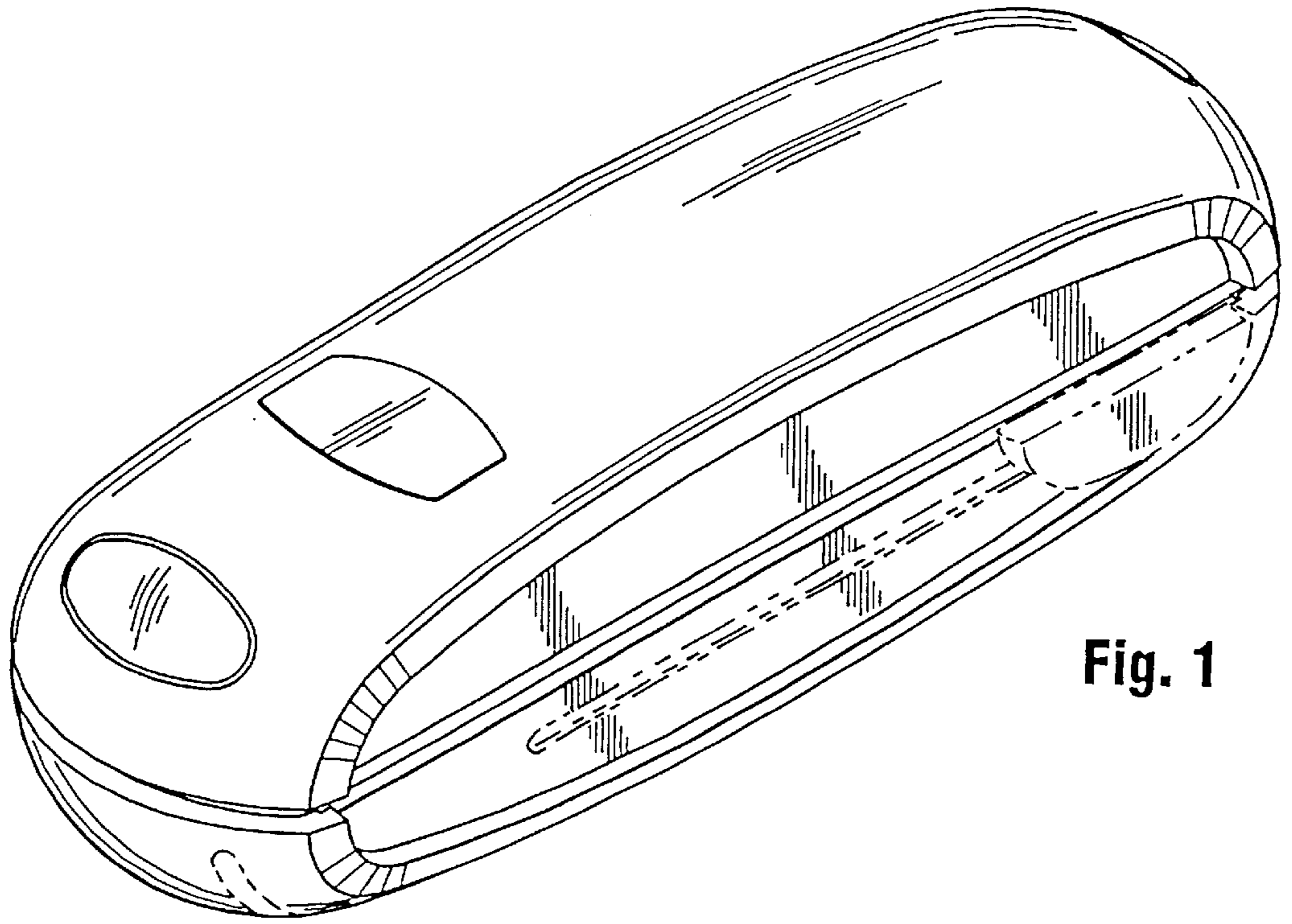


Fig. 1

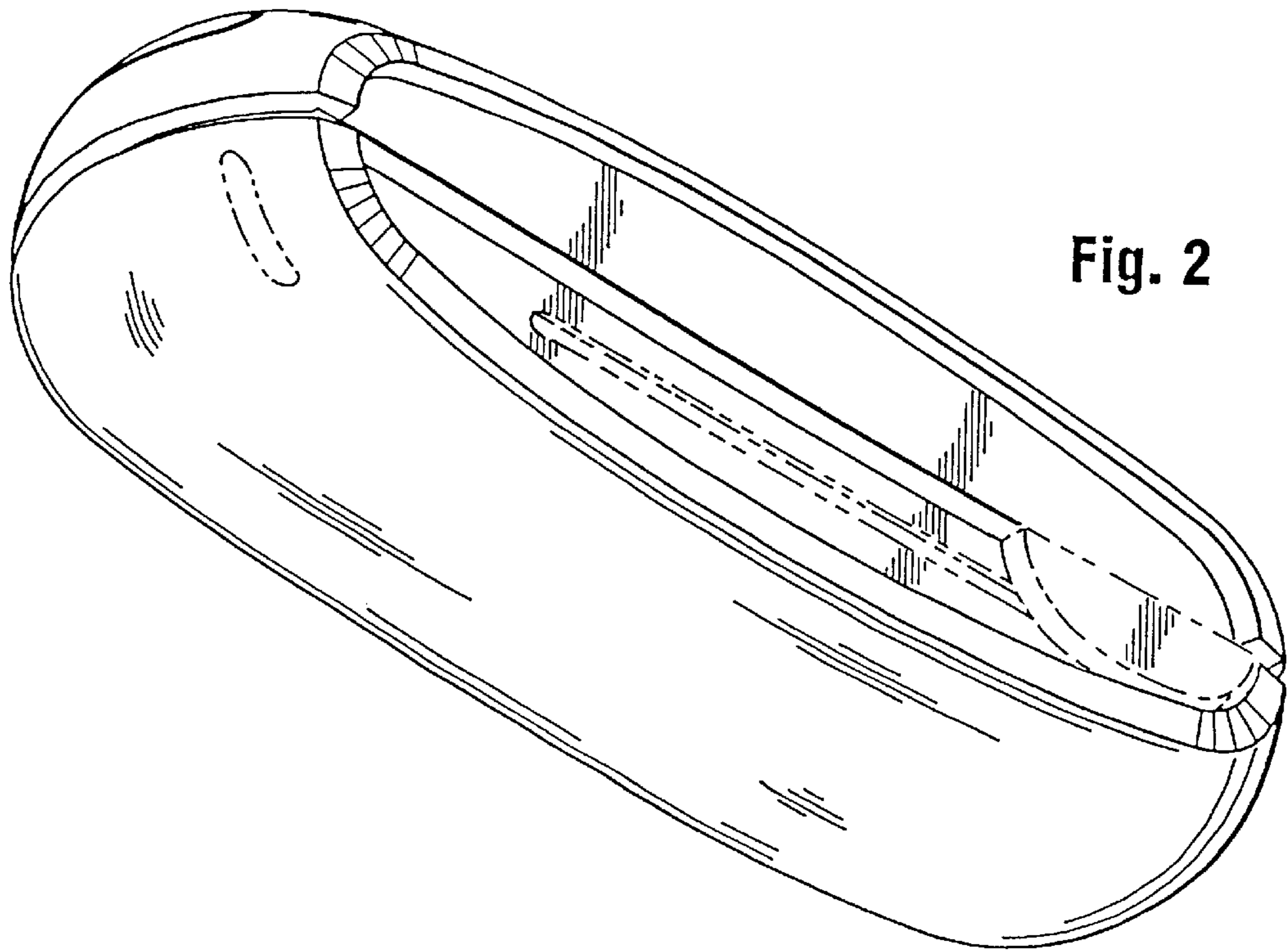


Fig. 2

Fig. 3

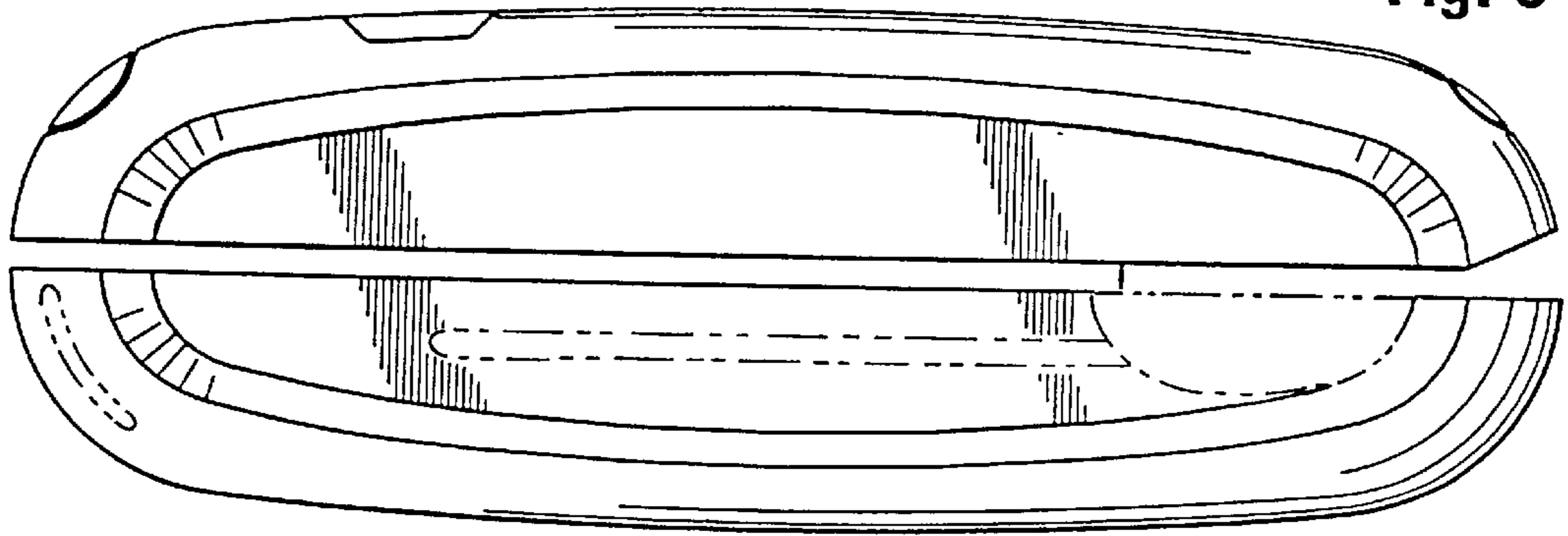


Fig. 4

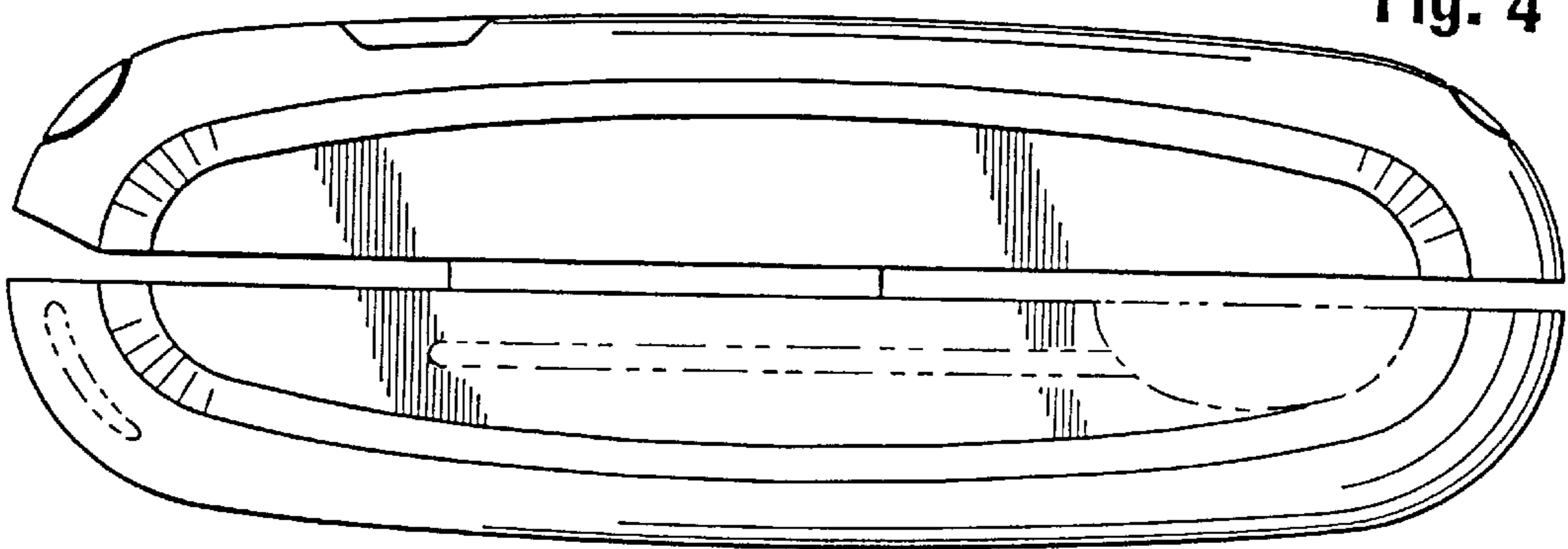


Fig. 5

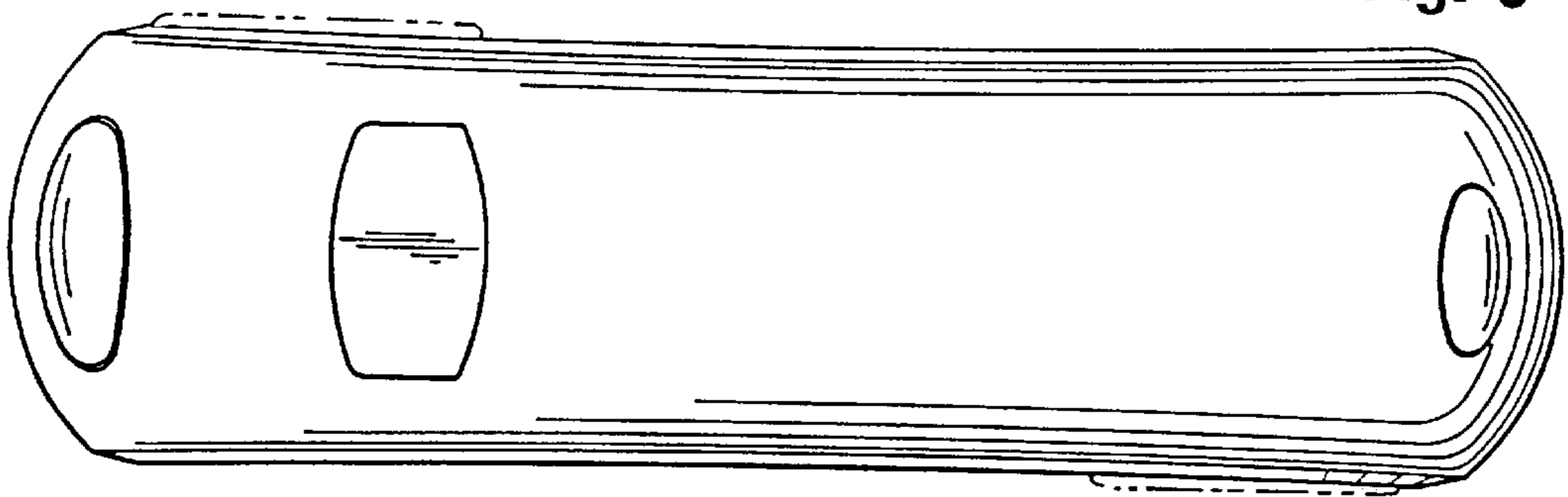


Fig. 6

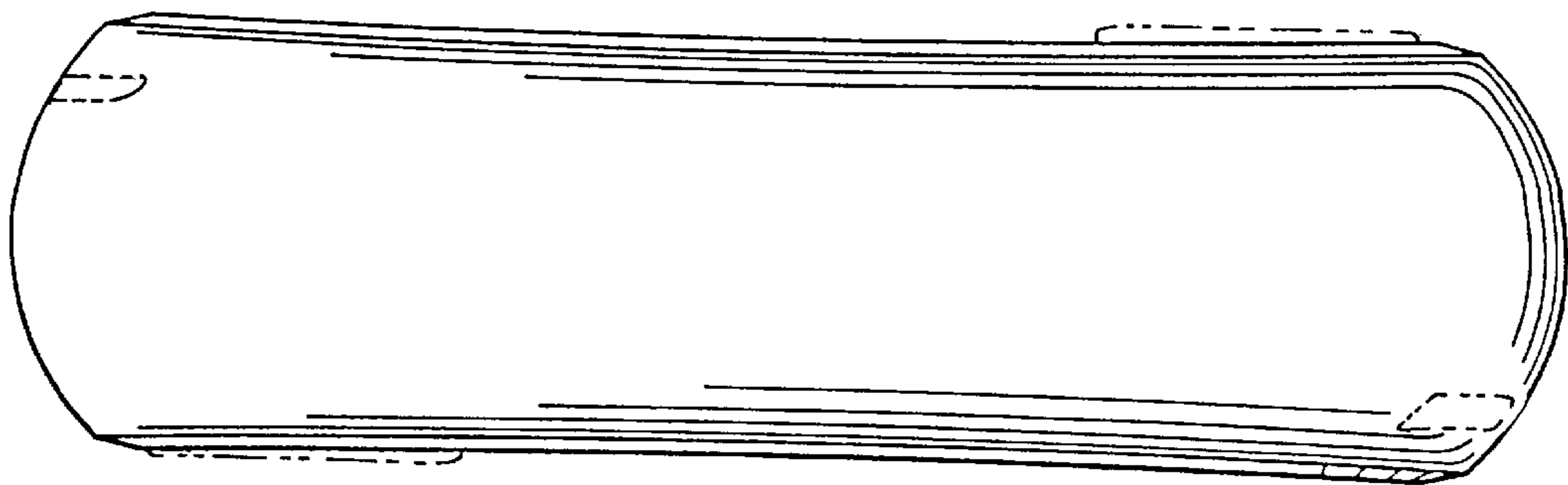


Fig. 7

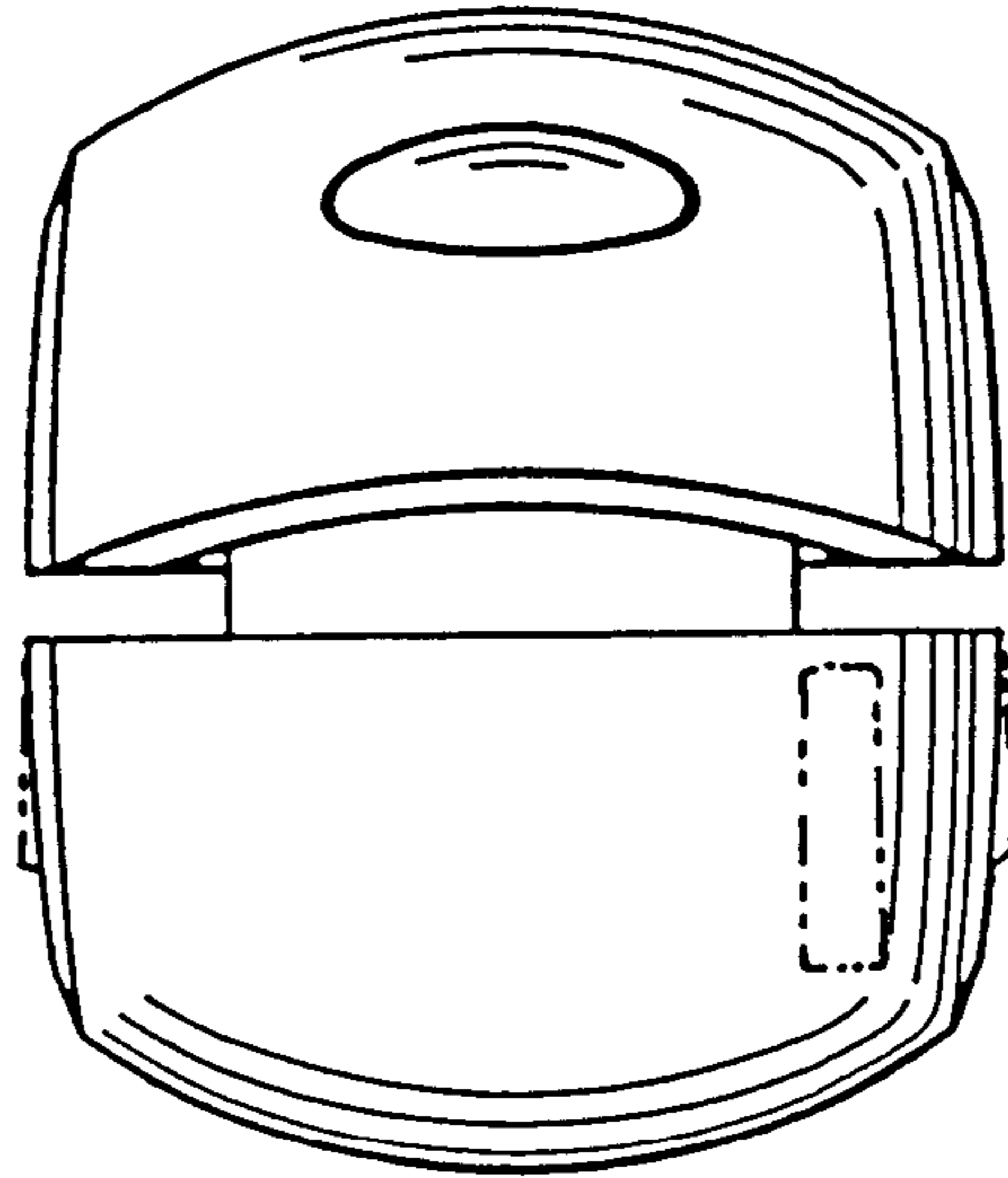
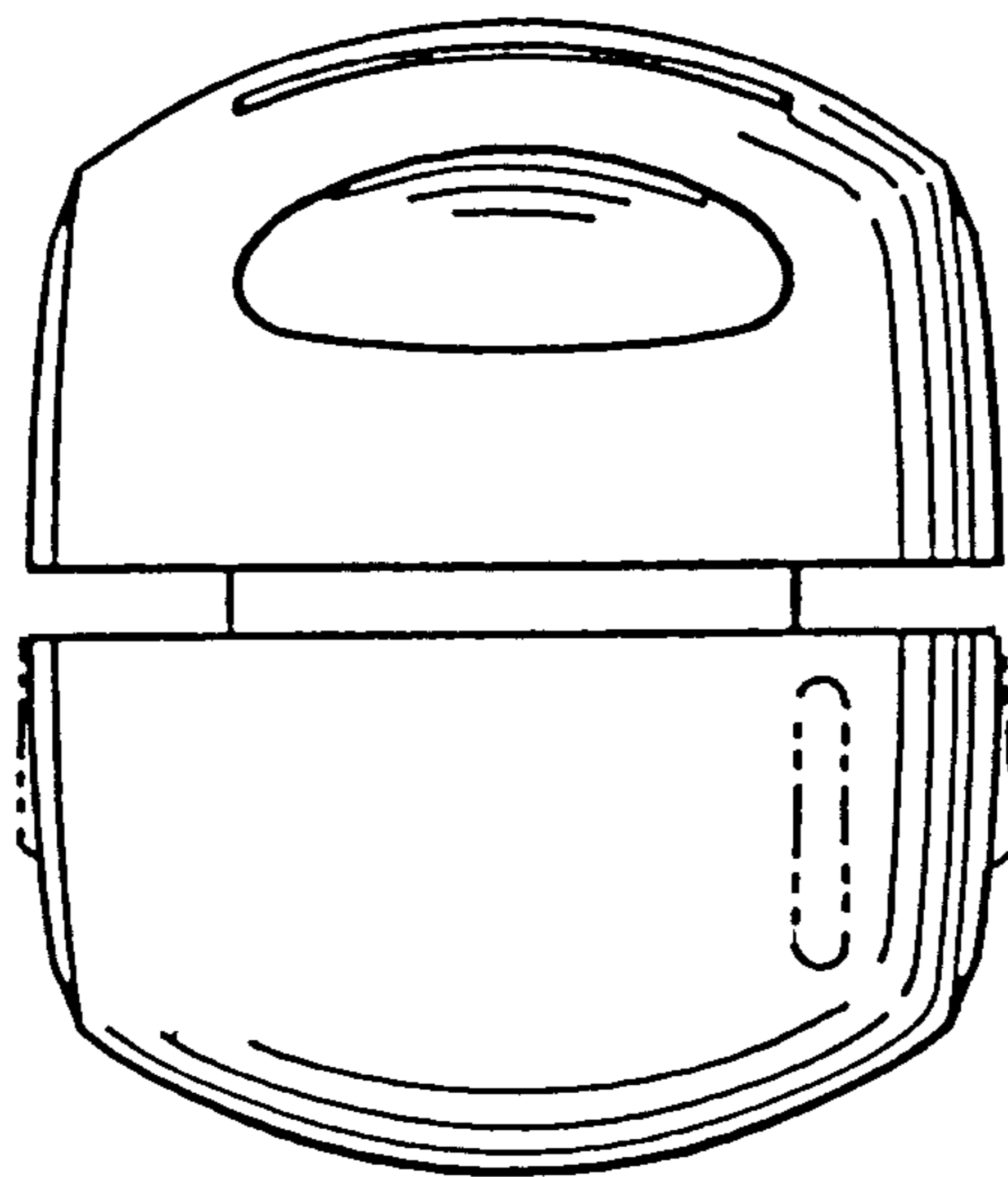


Fig. 8



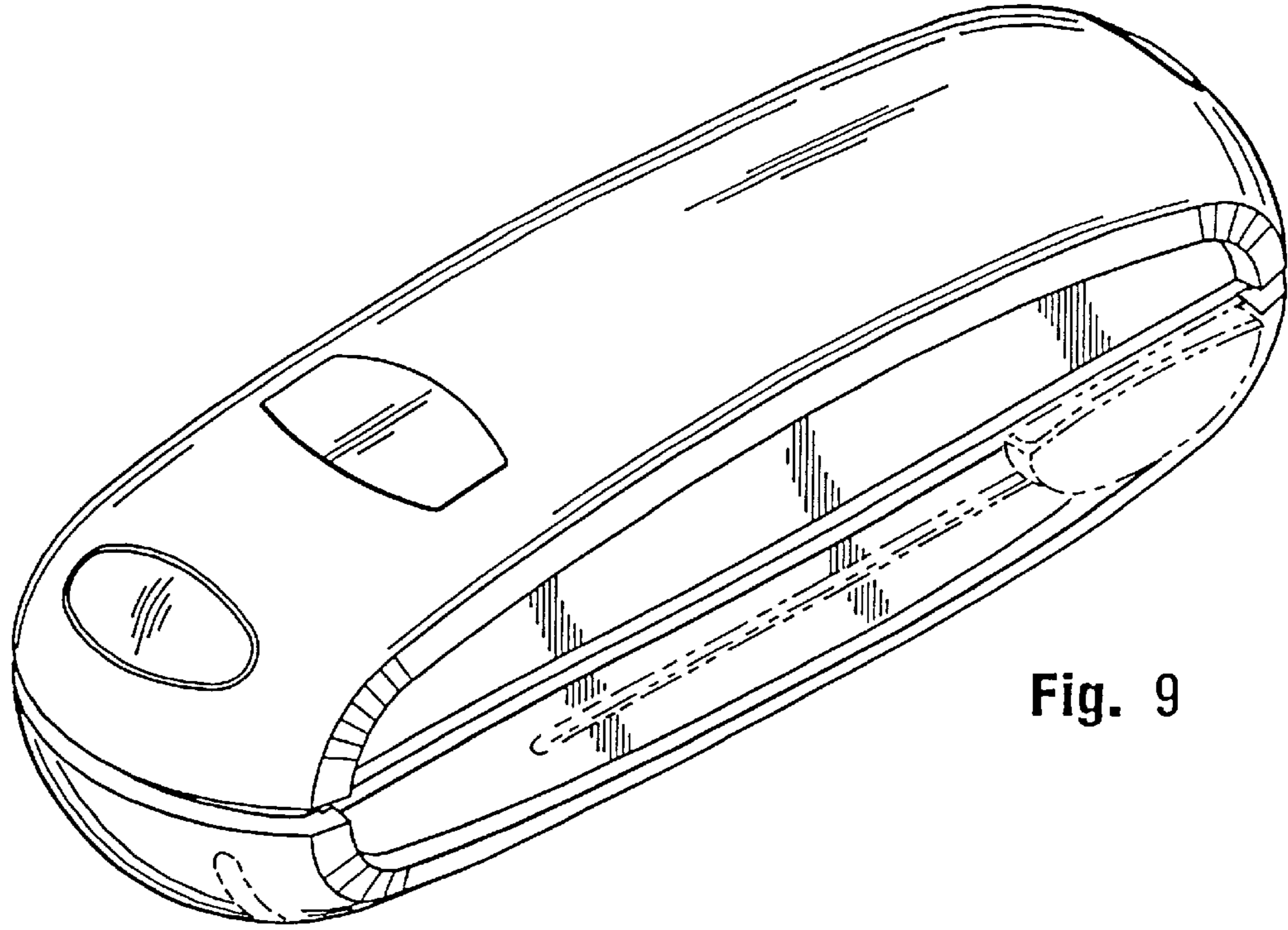


Fig. 9

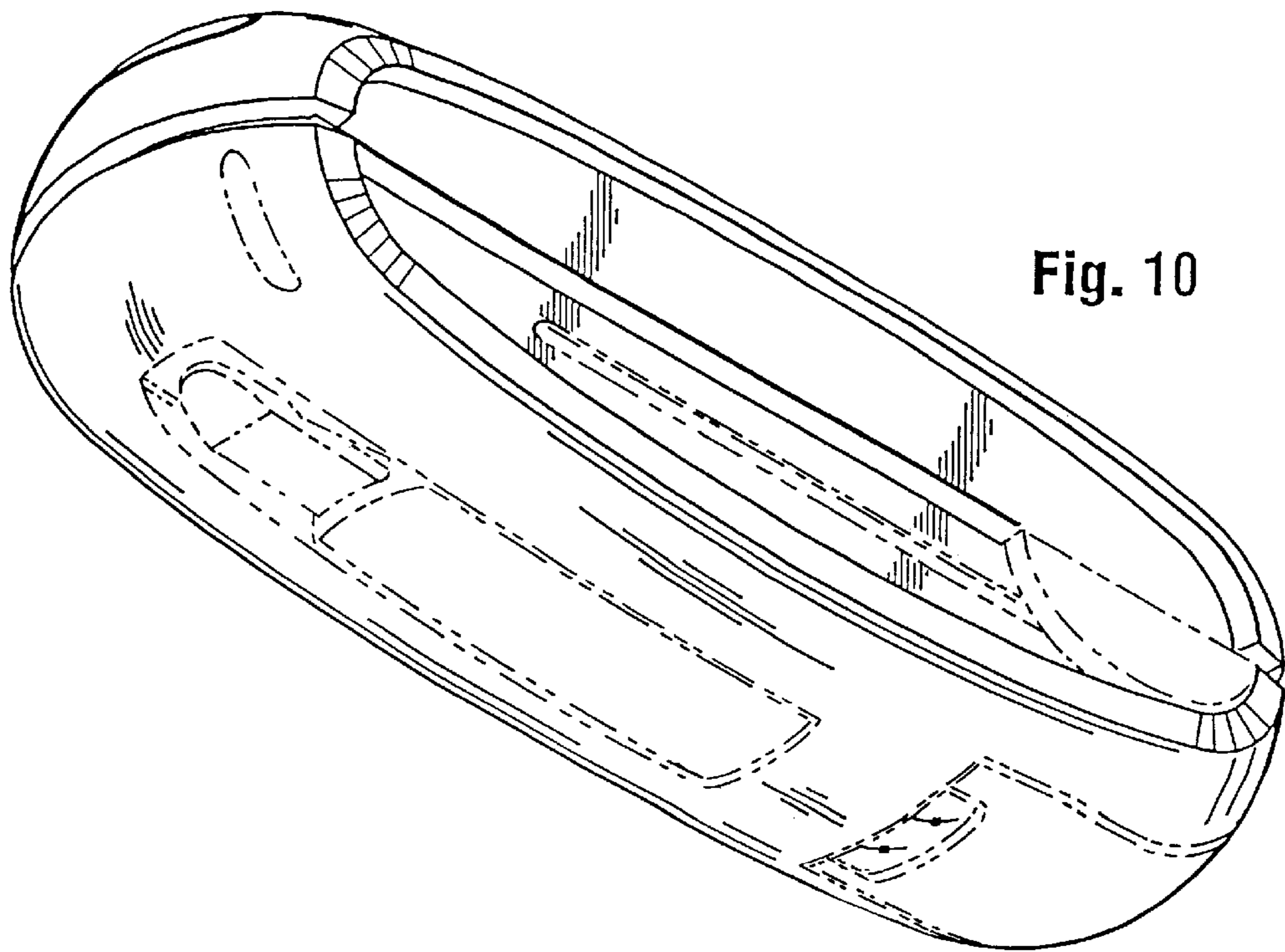


Fig. 10

Fig. 11

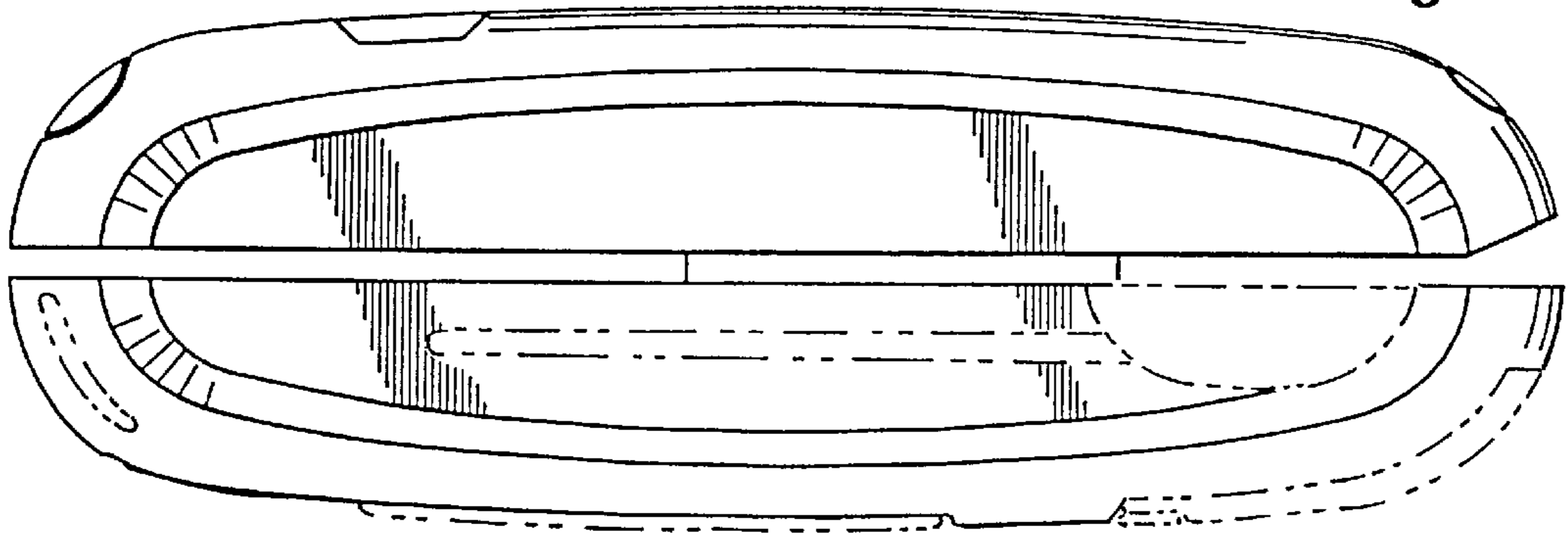


Fig. 12

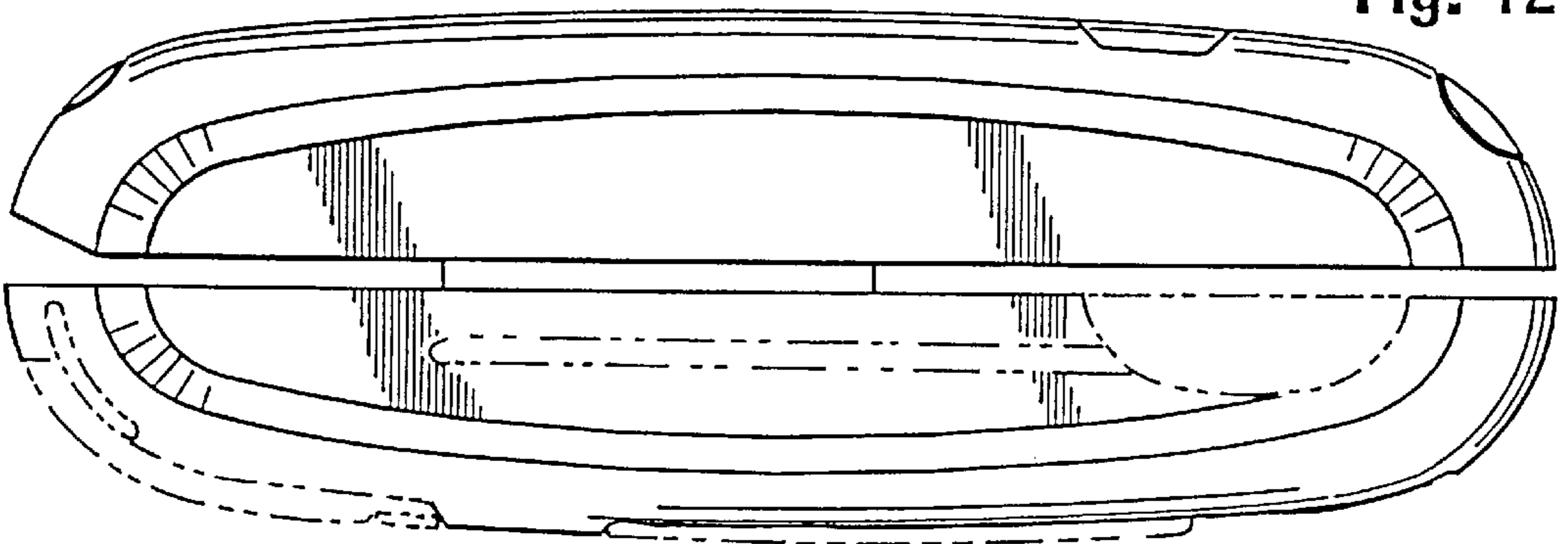


Fig. 13

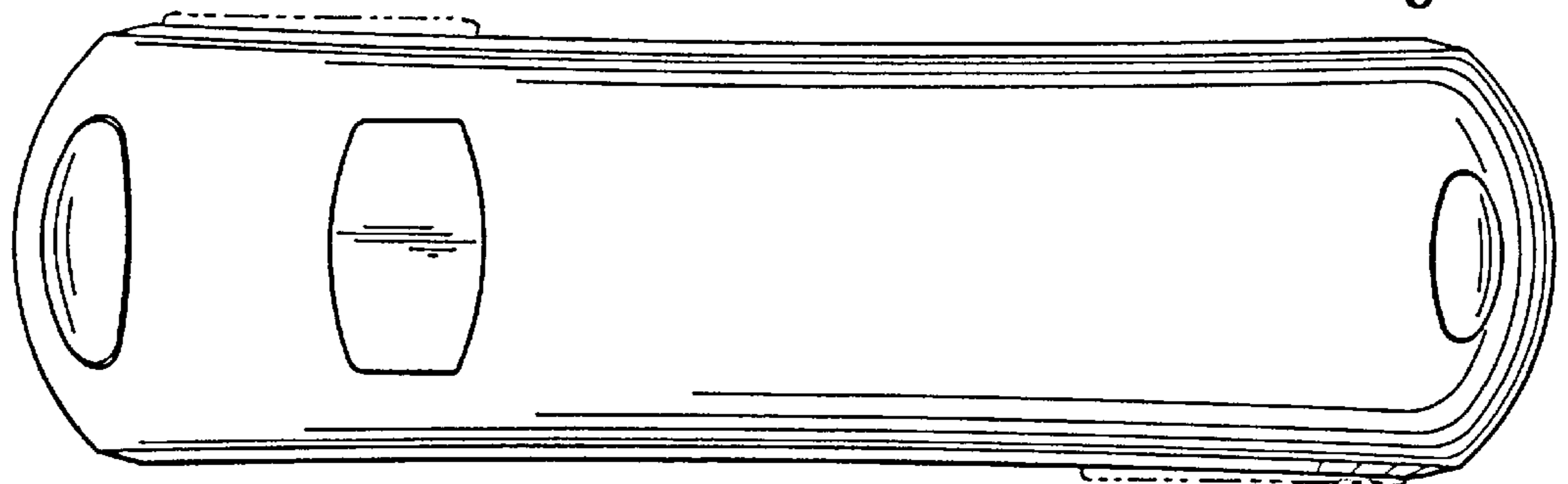


Fig. 14

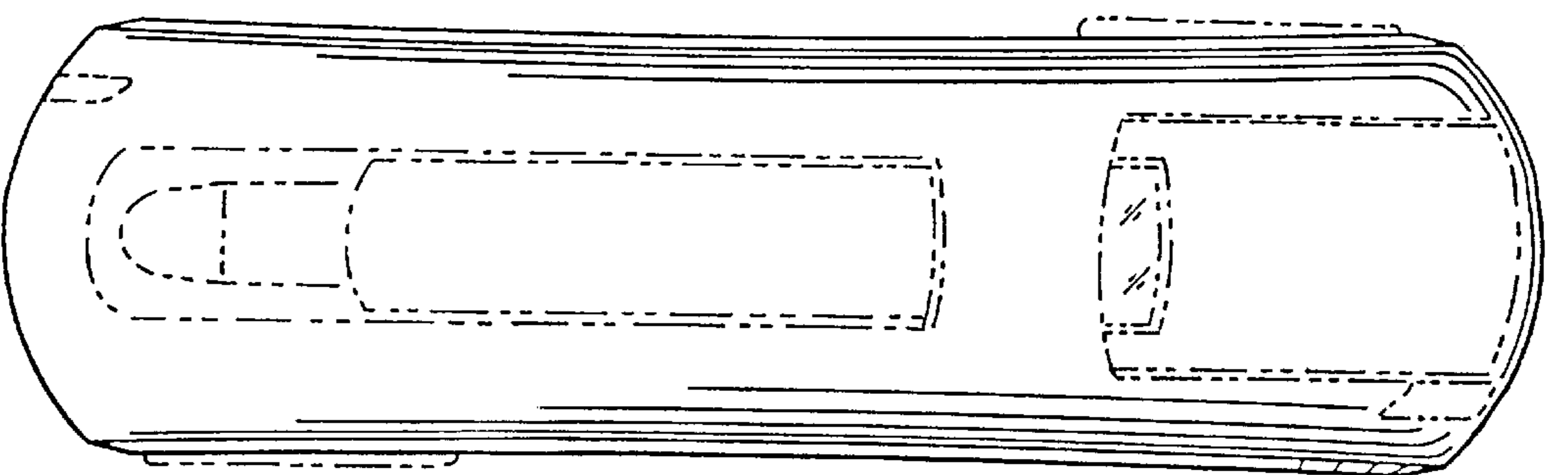


Fig. 15

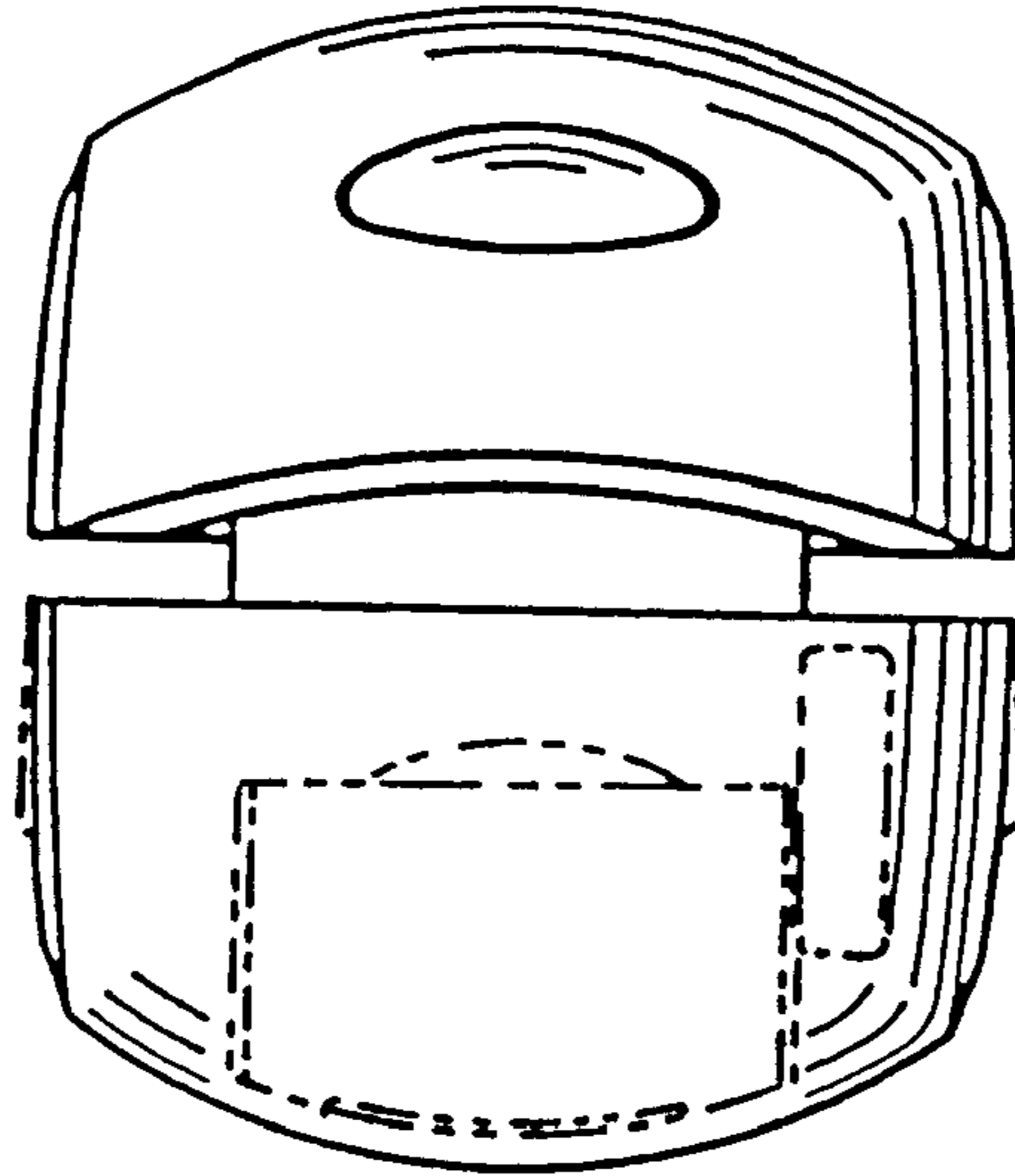
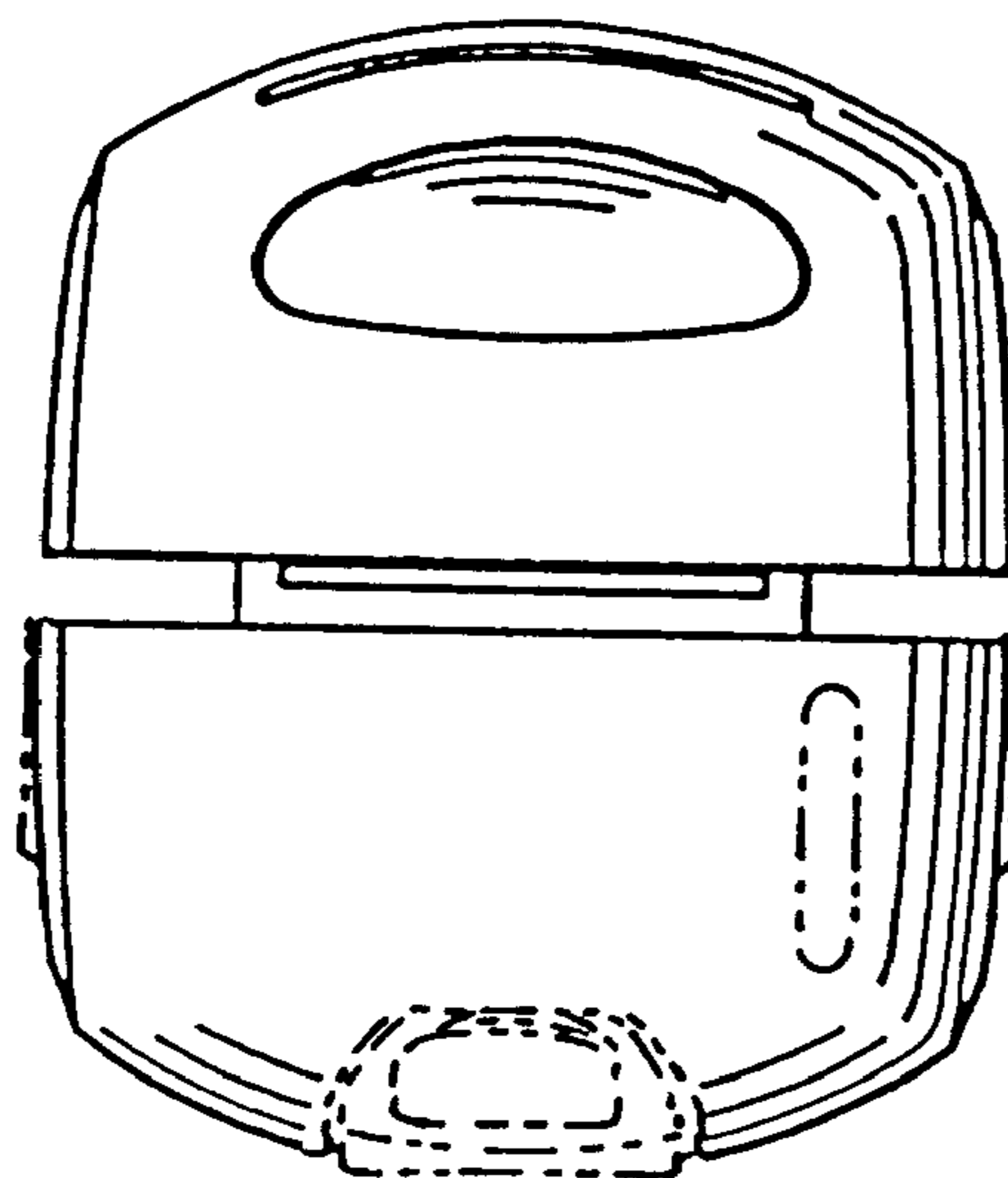


Fig. 16



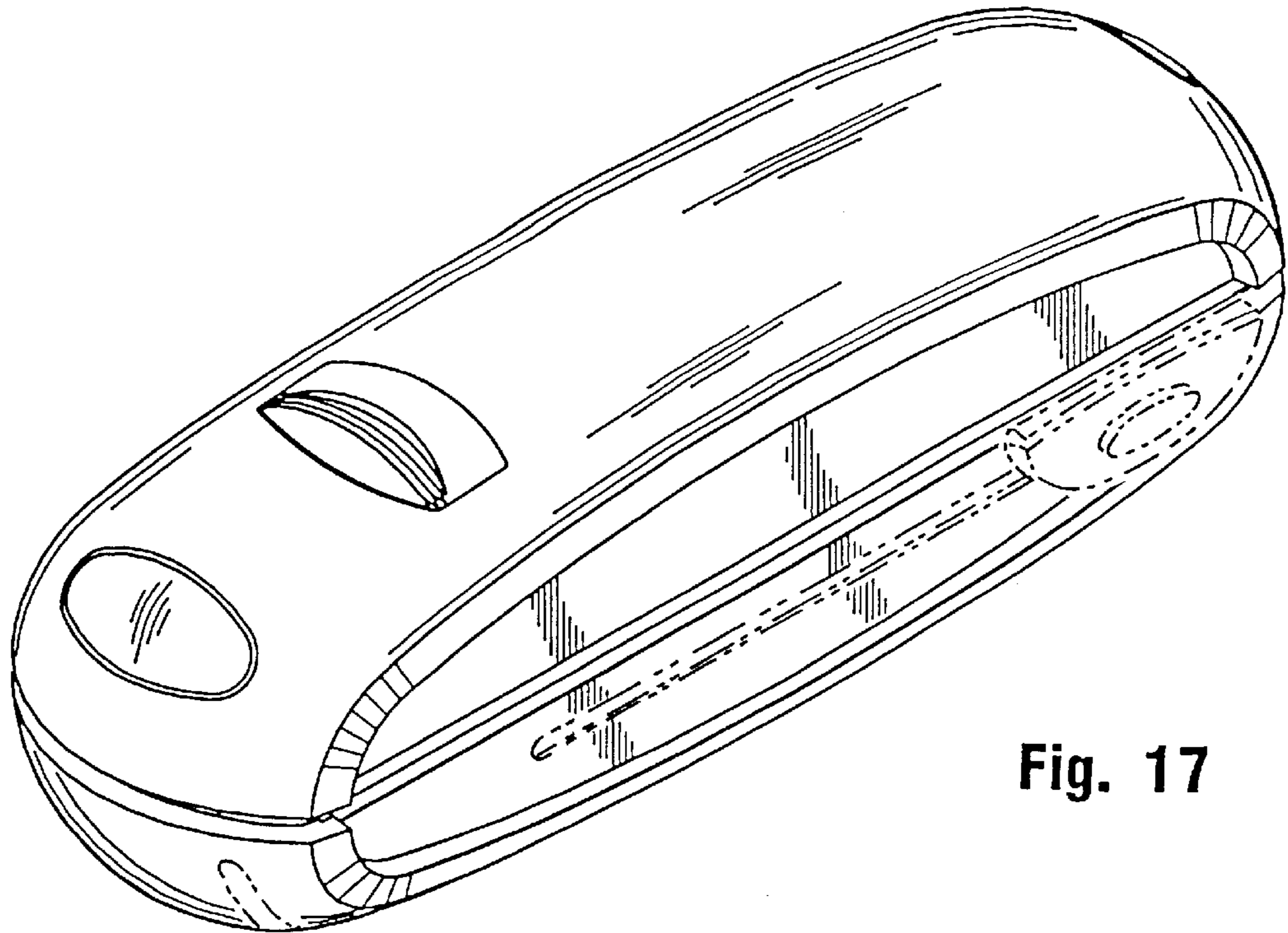


Fig. 17

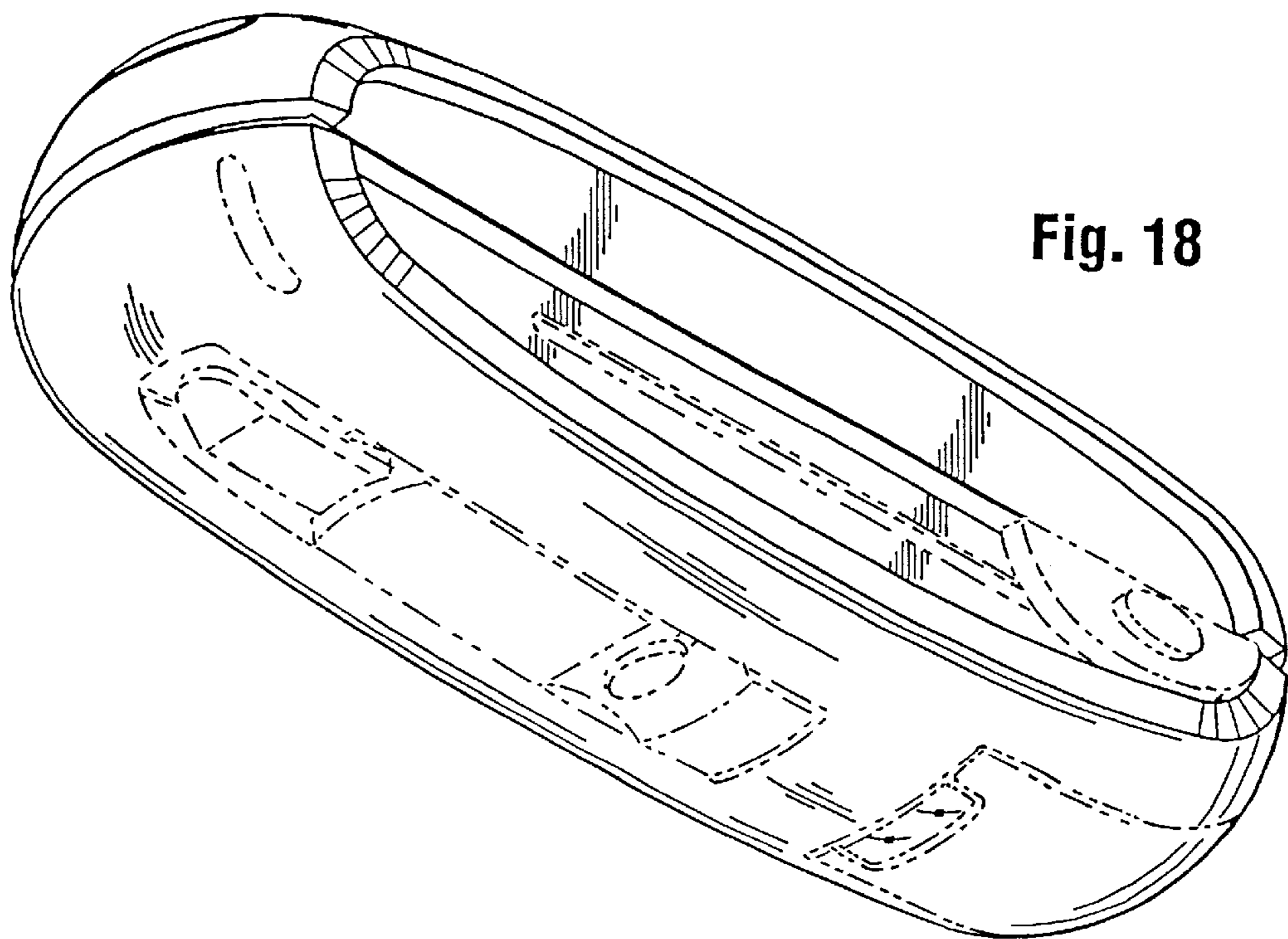


Fig. 18

Fig. 19

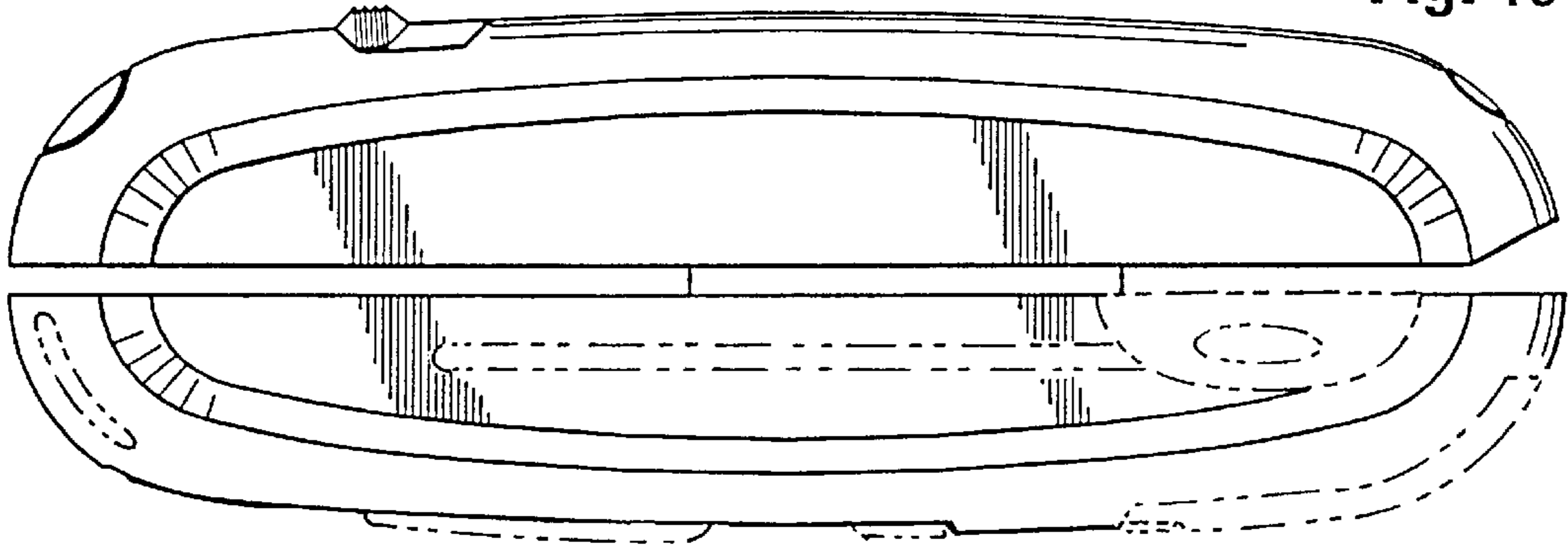


Fig. 20

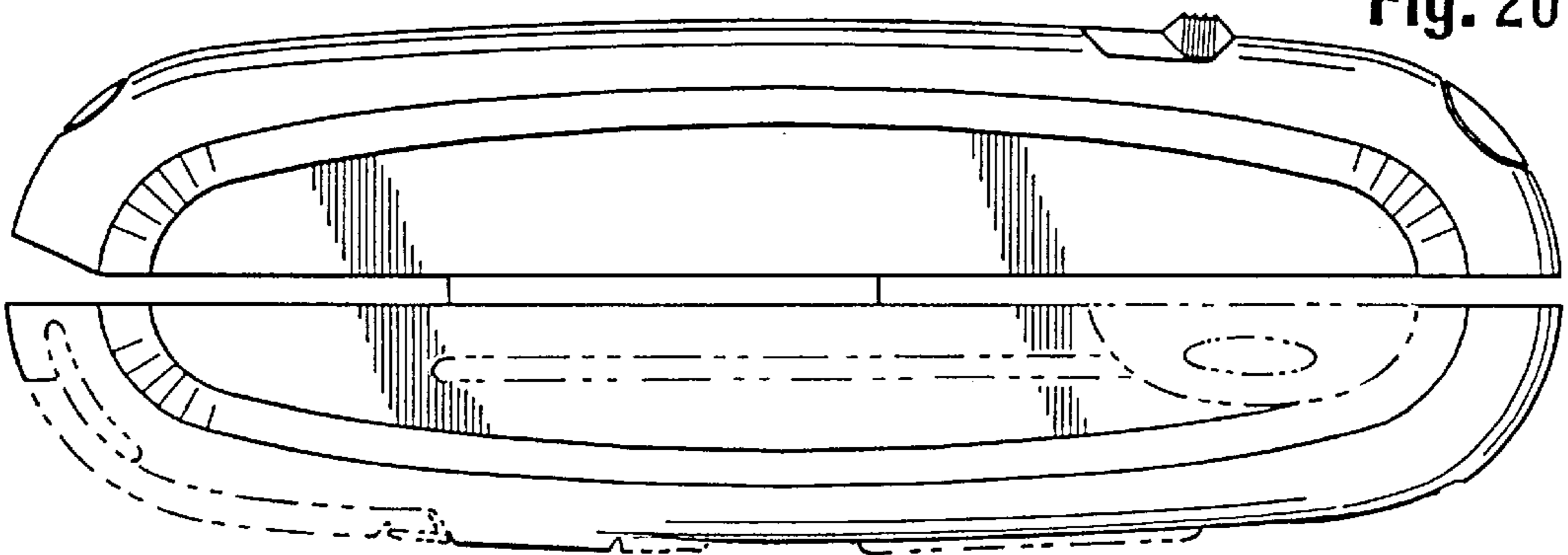


Fig. 21

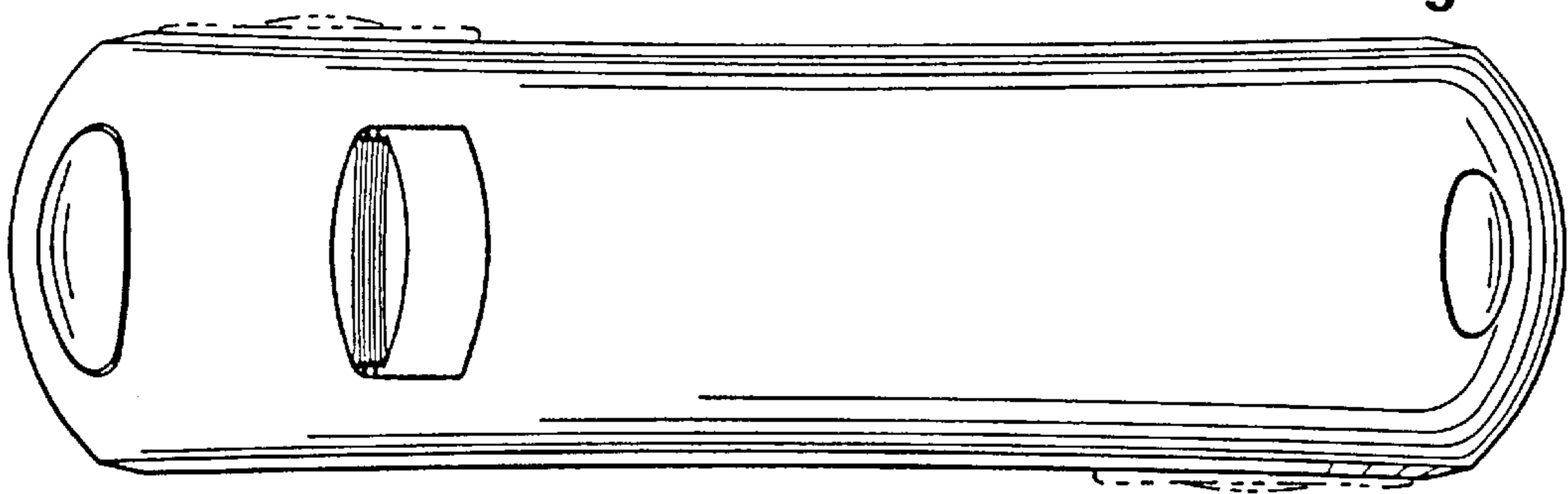


Fig. 22

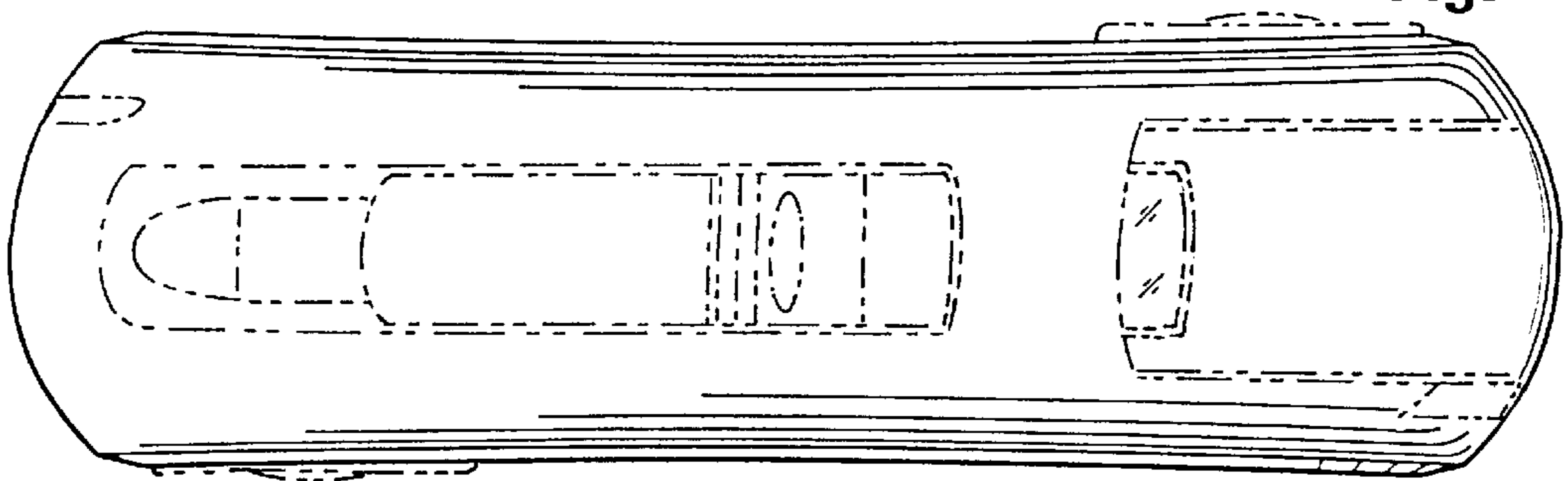


Fig. 23

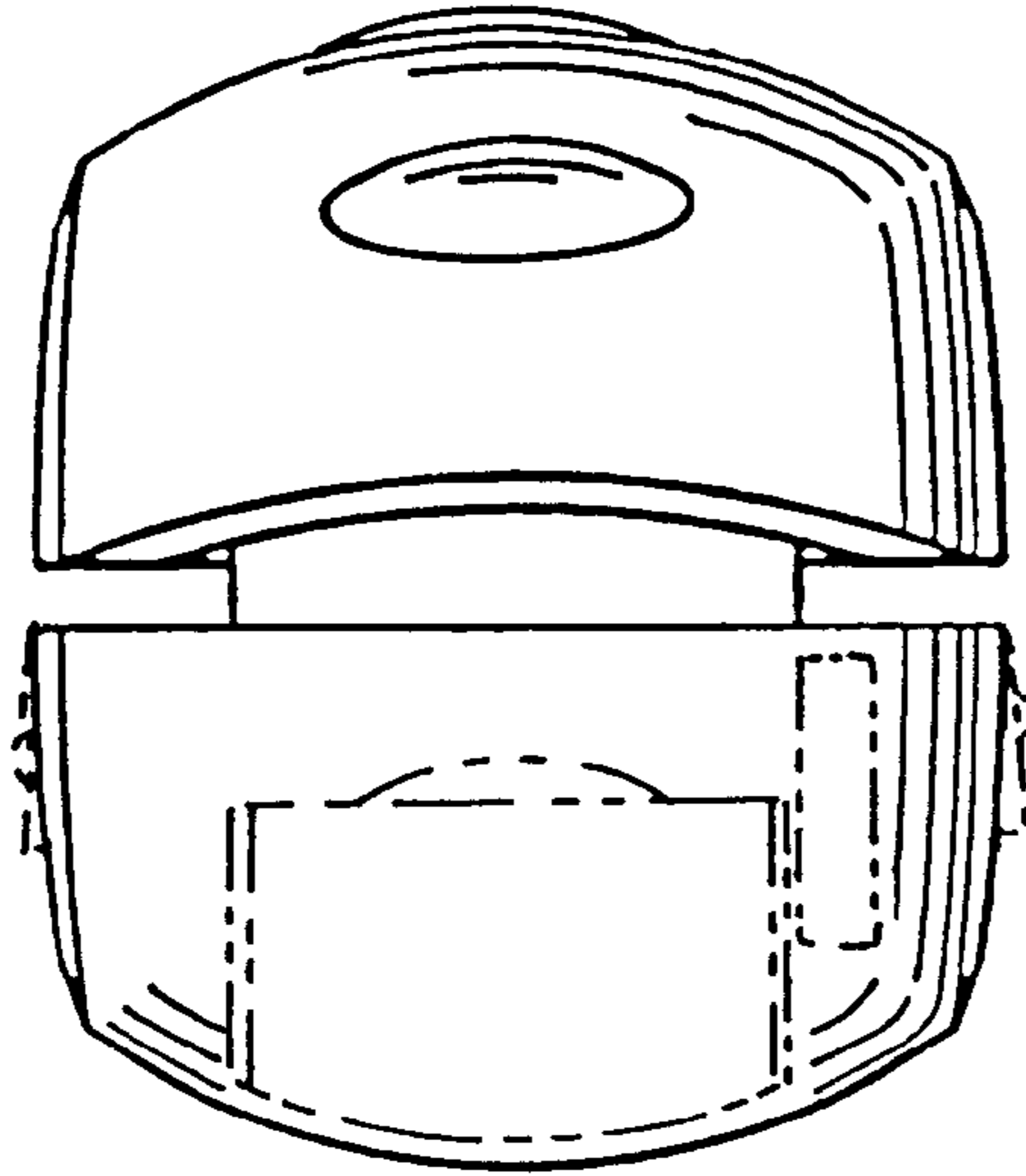


Fig. 24

