



US00D436126S

(12) **United States Design Patent**
Rosenbaum

(10) **Patent No.:** **US D436,126 S**

(45) **Date of Patent:** **** Jan. 9, 2001**

(54) **WRITING INSTRUMENT WITH KNIFE AND/OR BULBOUS GRIP**

(75) **Inventor:** **Barry Rosenbaum, Warren, MI (US)**

(73) **Assignee:** **Advance Watch Company Ltd., Warren, MI (US)**

(**) **Term:** **14 Years**

(21) **Appl. No.:** **29/113,941**

(22) **Filed:** **Nov. 15, 1999**

(51) **LOC (7) Cl.** **19-06**

(52) **U.S. Cl.** **D19/36; D19/51; D19/55; D8/98**

(58) **Field of Search** **D19/35, 36, 41-51, D19/53-58, 81-85; D8/98, 99, 105; 401/6, 7, 88, 52, 195; 7/158, 160; 30/151-162**

(56) **References Cited**

U.S. PATENT DOCUMENTS

D. 64,772	5/1924	Swanberg .	
D. 82,821	12/1930	Furedy .	
D. 89,339	2/1933	Hale .	
D. 92,534	6/1934	Hale .	
D. 95,778	5/1935	Peterson .	
D. 100,845	8/1936	Bloser .	
111,287	1/1871	Wendell .	
D. 129,368	9/1941	Cummings .	
D. 137,339	2/1944	Liukko .	
D. 138,875 *	9/1944	Weiss	D19/36
D. 146,025	12/1946	Harris .	
D. 155,561	10/1949	Weiss .	
D. 160,309	10/1950	Fainberg et al. .	
D. 162,522	3/1951	Currence et al. .	
174,852	3/1876	Poznanski .	
D. 175,864	10/1955	Steinberg et al. .	
D. 178,632	9/1956	Bloser .	
D. 181,180	10/1957	Bloser .	
D. 184,179	12/1958	Normand .	
D. 206,875	2/1967	Mosch .	
D. 227,037	5/1973	Bajusz .	
D. 240,817	8/1976	Funahashi .	
255,961	4/1882	Faber .	

D. 259,727	6/1981	Zierhut .	
D. 265,212	6/1982	Spiegel .	
D. 269,445	6/1983	Kruckel et al. .	
D. 289,368 *	4/1987	Mann	D8/99
D. 300,229	3/1989	Lee .	
D. 302,174	7/1989	Coburn .	
D. 307,444	4/1990	Poisson et al. .	
D. 314,978	2/1991	Oka .	
D. 316,427	4/1991	Tinz .	
D. 319,662	9/1991	Henry .	
D. 321,009	10/1991	Yubisui .	
D. 338,915	8/1993	Willat .	
D. 364,327	11/1995	Graham .	
D. 397,147 *	8/1998	Mackenzie	D18/36
412,479	10/1889	Davis .	
544,990	8/1895	Miller .	
614,630	11/1898	Stewart .	

(List continued on next page.)

Primary Examiner—Martie K. Holtje

(74) *Attorney, Agent, or Firm*—Brooks & Kushman P.C.

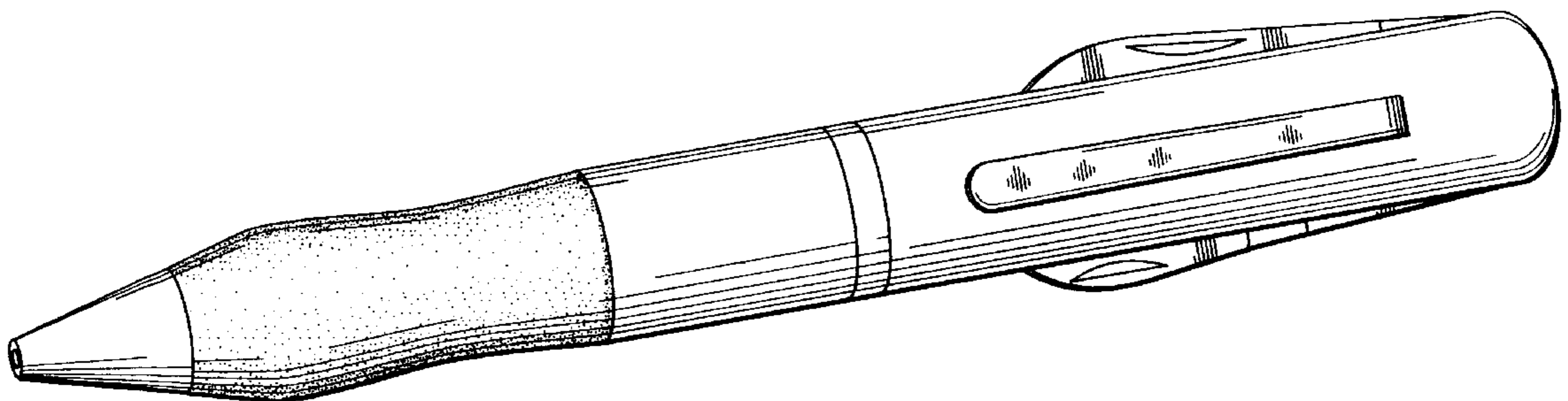
(57) **CLAIM**

The ornamental design for a writing instrument with knife and/or bulbous grip, as shown and described.

DESCRIPTION

FIG. 1 is a front perspective view of the writing instrument with knife and/or bulbous grip of this invention; FIG. 2 is a front elevational view of the writing instrument with knife and/or bulbous grip of this invention; FIG. 3 is a right side elevational view of the writing instrument with knife and/or bulbous grip of this invention; FIG. 4 is a rear elevational view of the writing instrument with knife and/or bulbous grip of this invention; FIG. 5 is a left side elevational view of the writing instrument with knife and/or bulbous grip of this invention; FIG. 6 is a bottom elevational view of the writing instrument with knife and/or bulbous grip of this invention as shown in FIG. 5; and, FIG. 7 is a top elevational view of the writing instrument with knife and/or bulbous grip of this invention as shown in FIG. 3.

1 Claim, 2 Drawing Sheets



US D436,126 S

Page 2

U.S. PATENT DOCUMENTS

624,853	5/1899	Oberbeck .	2,637,906	5/1953	Giossi .	
630,119	8/1899	Schott .	2,841,156	7/1958	Herald .	
653,807	7/1900	Hofstetter .	2,845,047	7/1958	McKendree .	
770,363	9/1904	Goldsmith .	2,896,576	7/1959	Baer .	
782,388	2/1905	Goldsmith .	2,956,547	10/1960	Hovey, Jr. .	
839,537	12/1906	Beaume .	3,083,490	4/1963	Klozik .	
1,085,779	2/1914	Zohm .	3,246,875	4/1966	Hart .	
1,124,651	1/1915	Peterson .	3,249,091	5/1966	Griesbach .	
1,368,944	2/1921	Kurose .	3,257,991	6/1966	Mosch .	
1,441,103	1/1923	McGinnis .	3,407,021	* 10/1968	Mosch	401/195
1,459,517	6/1923	Sawyer .	4,035,089	7/1977	Schwartz et al. .	
1,868,441	7/1932	Colfelt .	4,167,347	9/1979	Hoyle .	
1,938,835	12/1933	Grzyb .	4,601,598	7/1986	Schwartz et al. .	
2,236,194	3/1941	Lorber .	4,932,800	6/1990	Lin et al. .	
2,266,942	12/1941	Wallace .	5,000,599	3/1991	McCall et al. .	

* cited by examiner

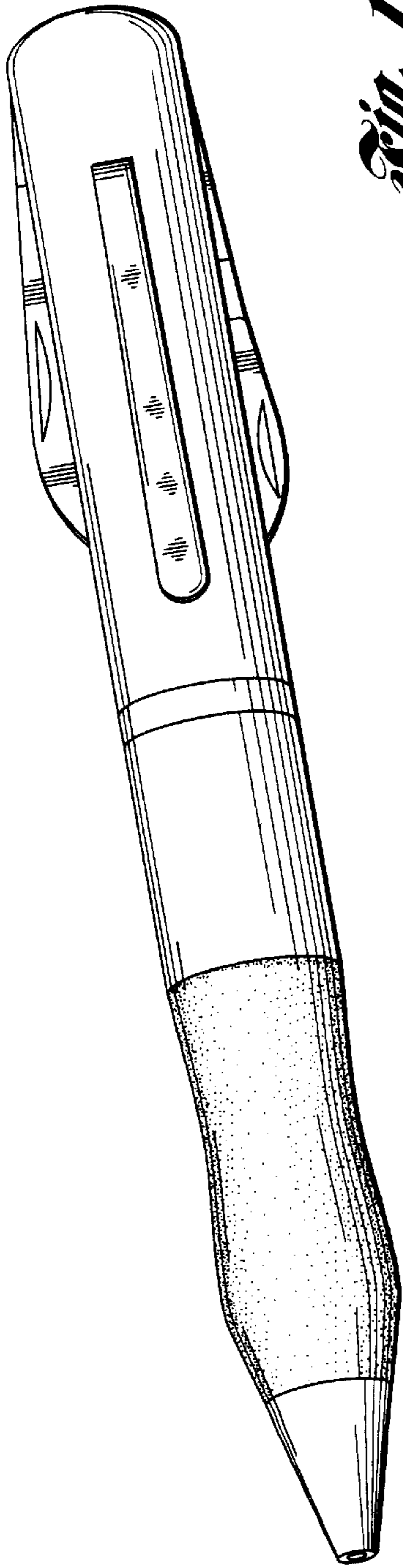


Fig. 1

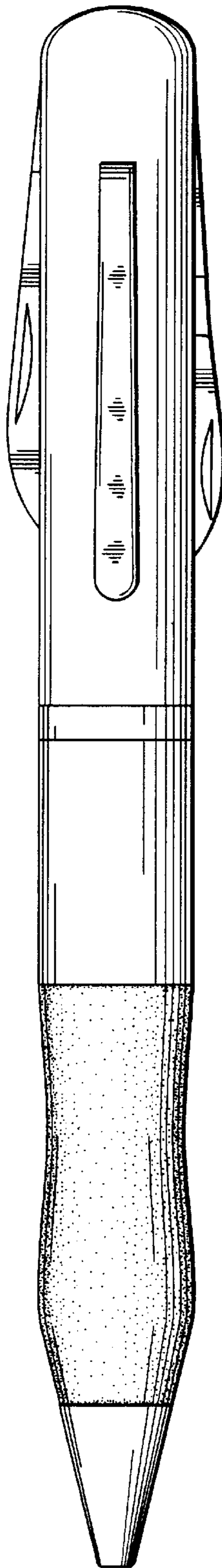


Fig. 2

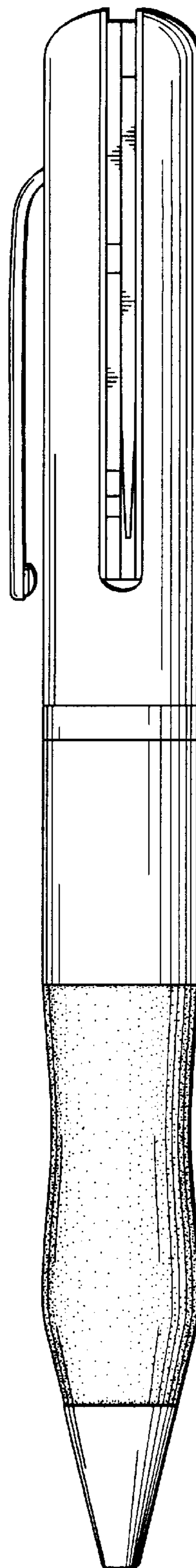


Fig. 3

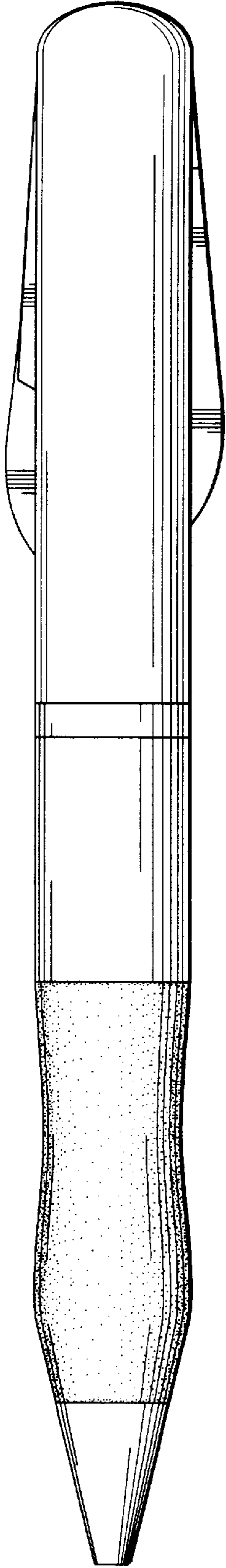


Fig. 4

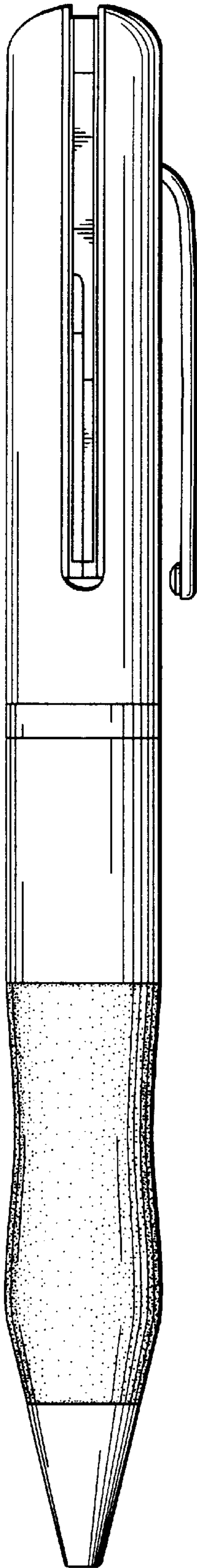


Fig. 5

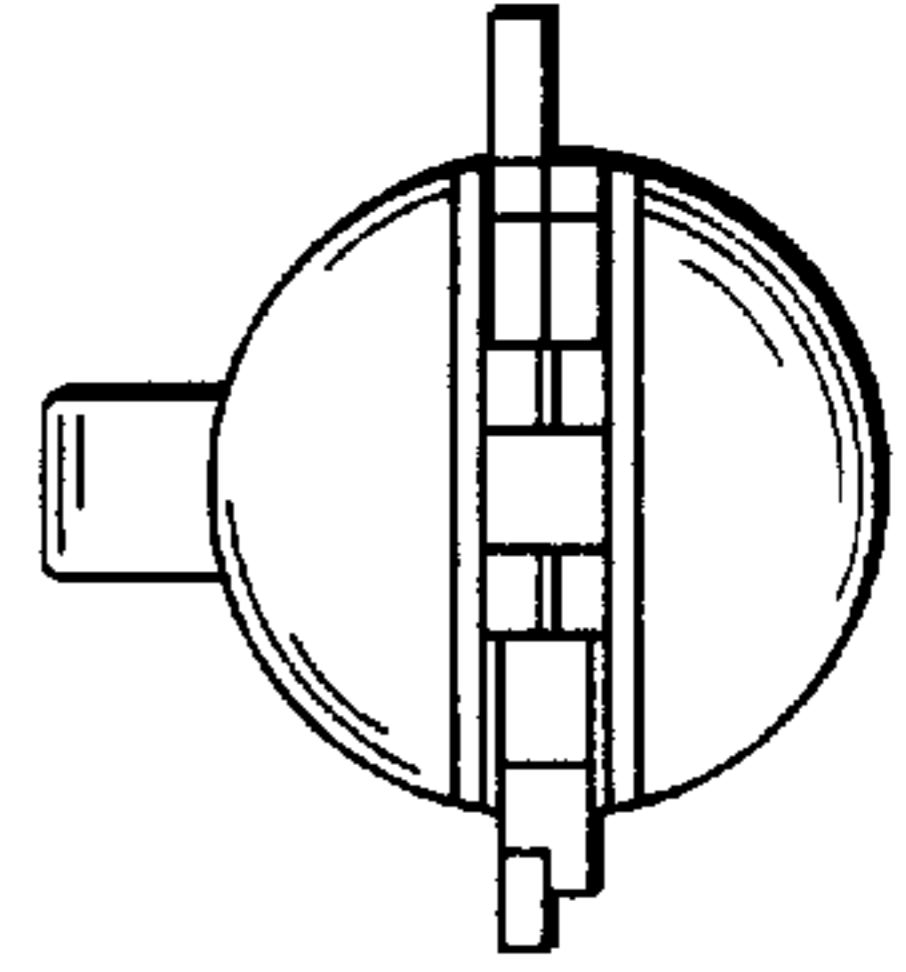


Fig. 7

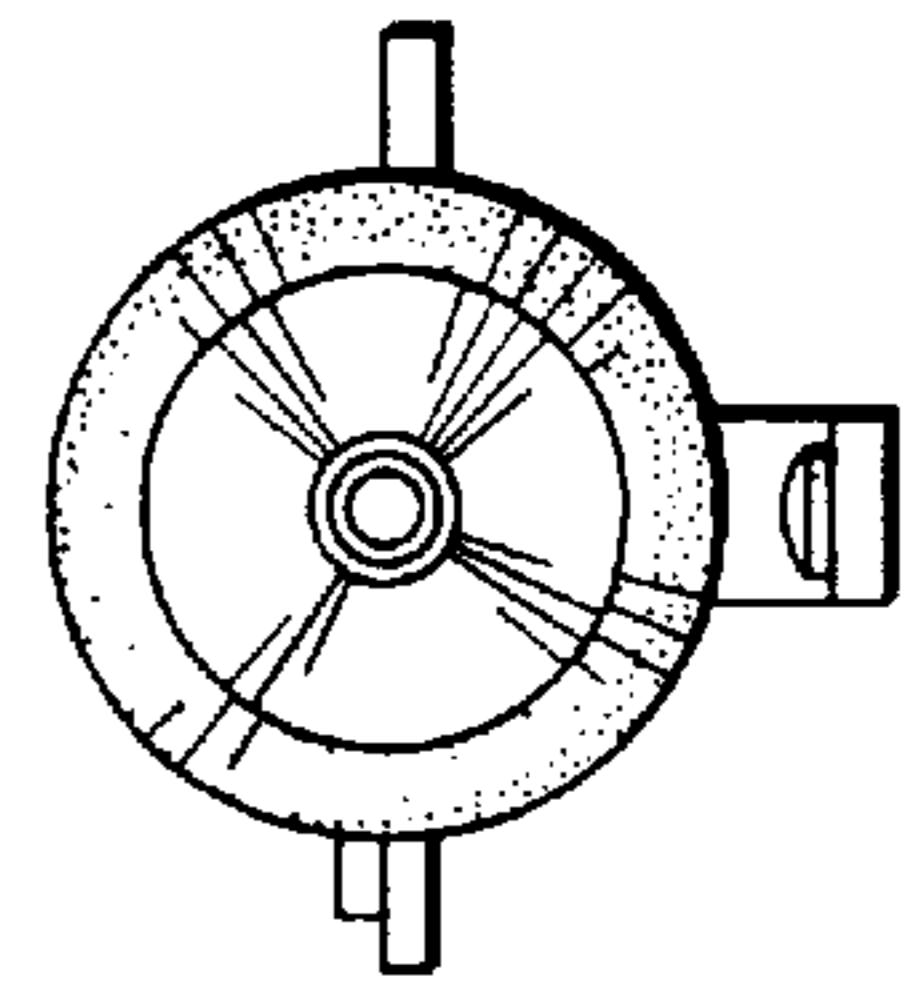


Fig. 6