



US00D436121S

(12) **United States Design Patent**
Wang et al.

(10) **Patent No.:** **US D436,121 S**

(45) **Date of Patent:** **** *Jan. 9, 2001**

(54) **TONER CARTRIDGE**

(76) Inventors: **Jui-Chi Wang; Robin Hsu; Ya-Li Huang; Kuan-Tung Li**, all of No. 498, Sec 1, Yung-Shing Rd., Wu-Chi Town, Taichung County (TW)

(*) Notice: This patent is subject to a terminal disclaimer.

(**) Term: **14 Years**

(21) Appl. No.: **29/114,981**

(22) Filed: **Dec. 2, 1999**

(51) **LOC (7) Cl.** **16-03**

(52) **U.S. Cl.** **D18/43**

(58) **Field of Search** D18/36, 40, 43, D18/56; 399/24, 25, 27, 28, 35, 252, 262; 222/DIG. 1

(56) **References Cited**

U.S. PATENT DOCUMENTS

- D. 351,187 * 10/1994 Suga D18/43
- D. 356,813 * 3/1995 Ichikawa et al. D18/43
- D. 364,184 * 11/1995 Satake et al. D18/43
- D. 365,359 * 12/1995 Ichikawa et al. D18/43
- D. 376,614 * 12/1996 Ichikawa et al. D18/43

- D. 389,176 * 1/1998 Ichikawa et al. D18/43
- D. 400,916 * 11/1998 Ui et al. D18/43
- D. 403,014 * 12/1998 Kura et al. D18/43
- D. 403,348 * 12/1998 Matsuoka et al. D18/43
- D. 404,758 * 1/1999 Koide D18/43
- D. 406,162 * 2/1999 Tatsumi D18/43
- 6,064,846 * 5/2000 Wang et al. 399/262

* cited by examiner

Primary Examiner—Caron D. Veynar
(74) *Attorney, Agent, or Firm*—Pro-Techtor International Services

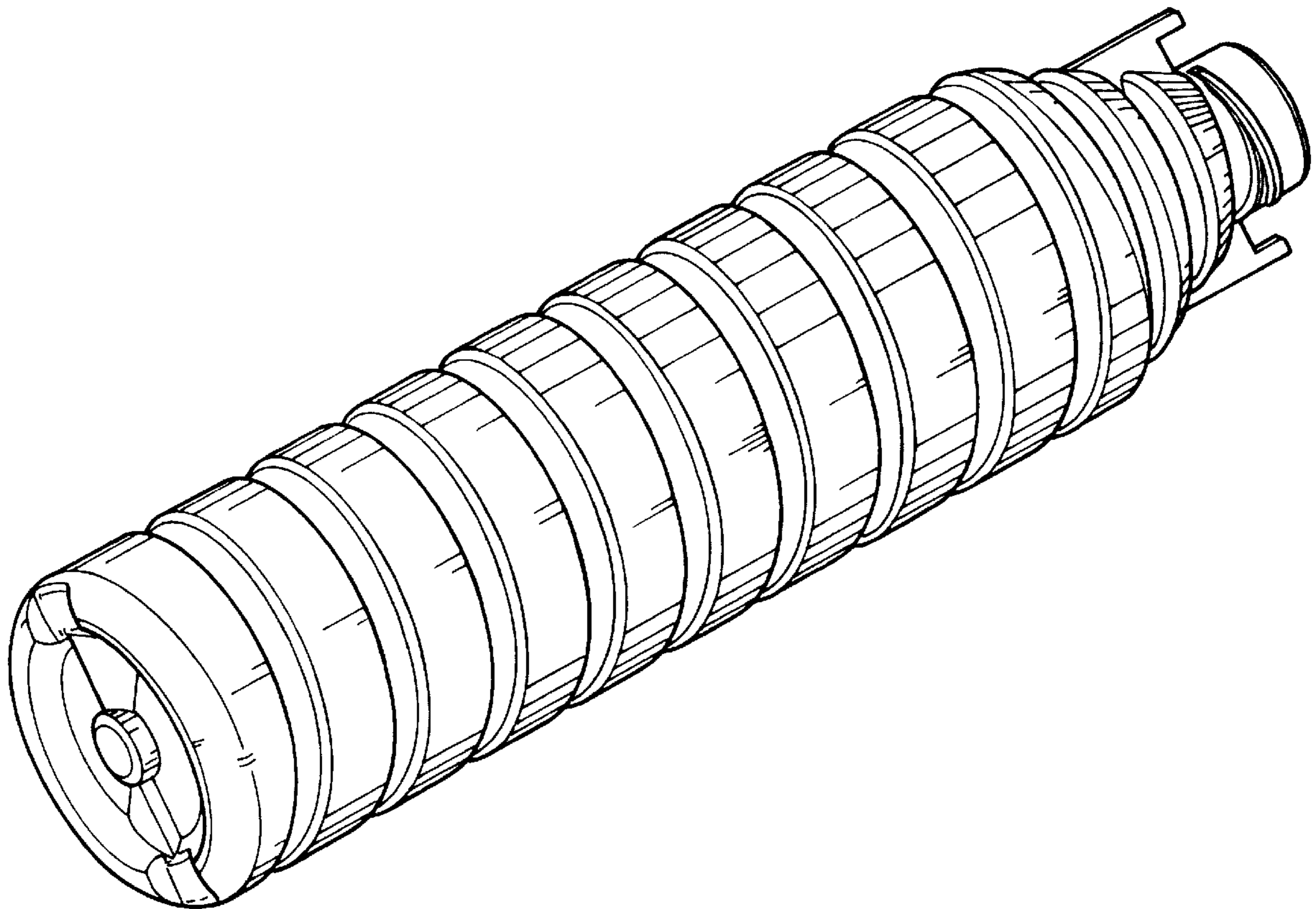
(57) **CLAIM**

The ornamental design for a toner cartridge, as shown and described.

DESCRIPTION

FIG. 1 is a perspective view of the toner cartridge of the present invention.
 FIG. 2 is a front view of the toner cartridge.
 FIG. 3 is a rear view of the toner cartridge.
 FIG. 4 is a left side view of the toner cartridge.
 FIG. 5 is a right side view of the toner cartridge.
 FIG. 6 is a top side view of the toner cartridge; and,
 FIG. 7 is a bottom side view of the toner cartridge.

1 Claim, 6 Drawing Sheets



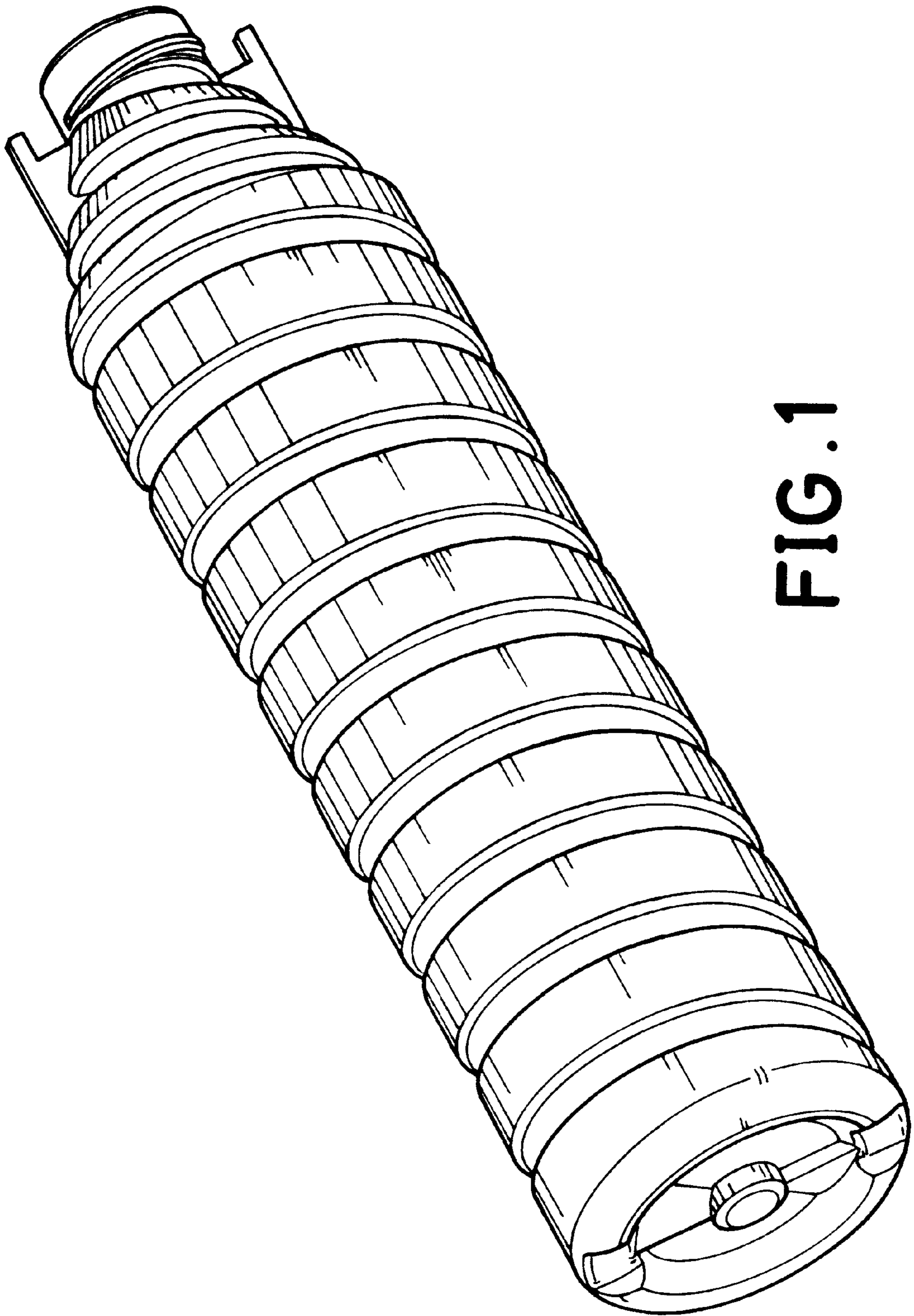


FIG. 1

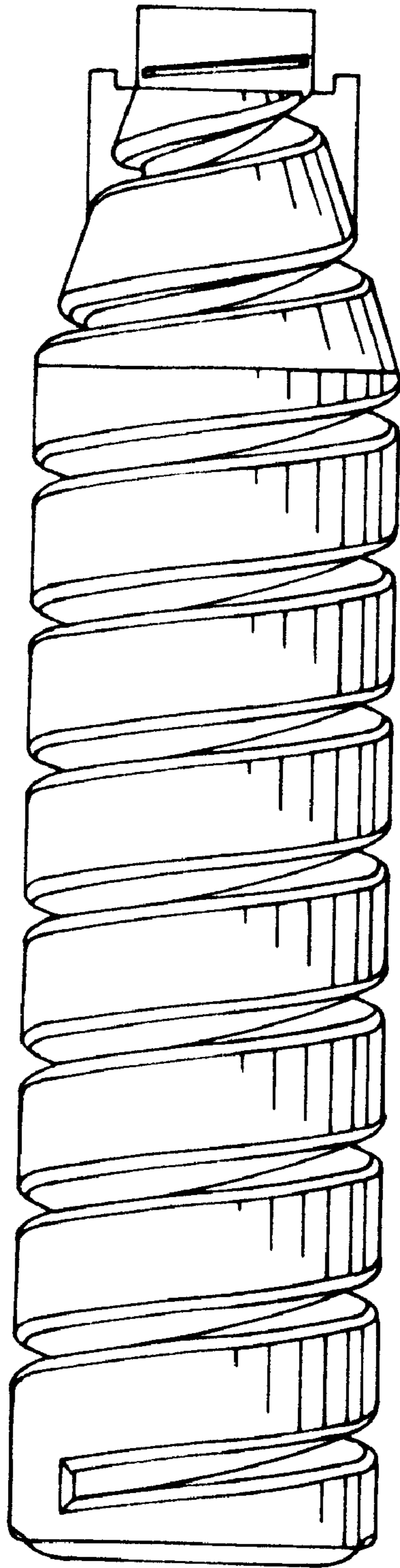


FIG. 2

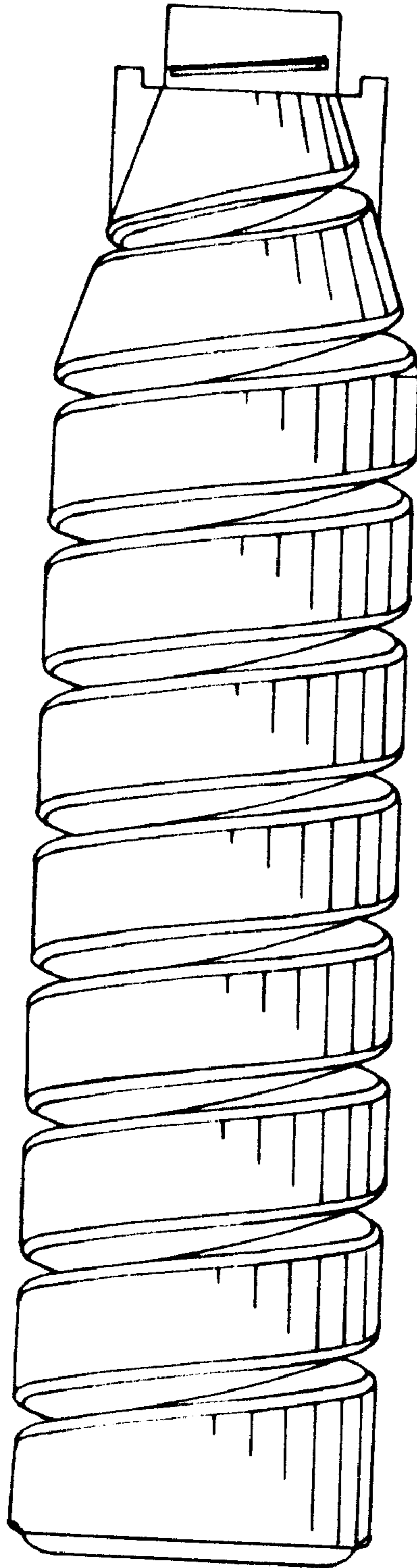


FIG. 3

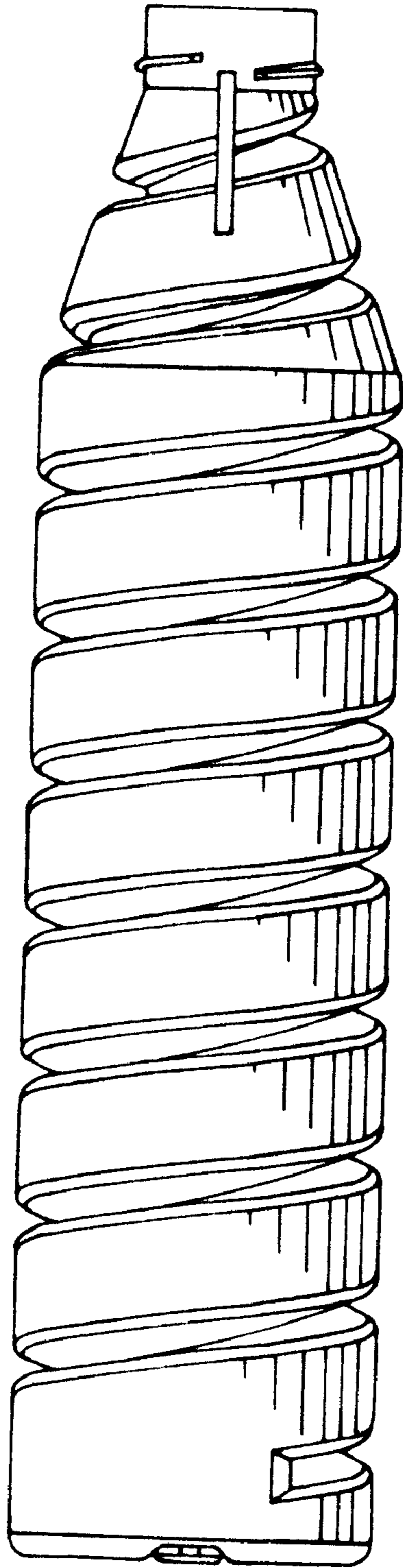


FIG. 4

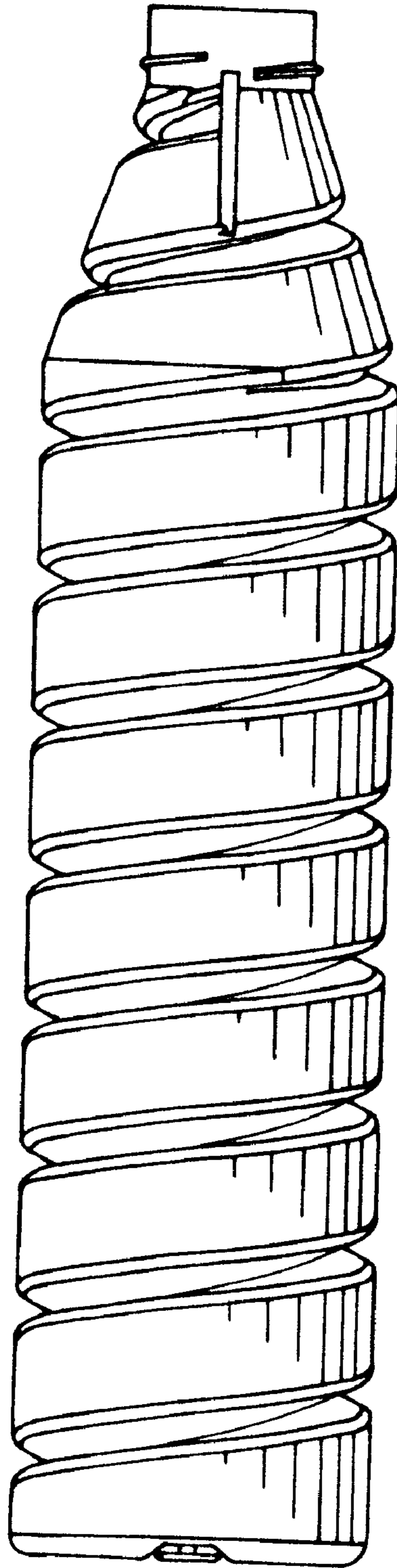


FIG. 5

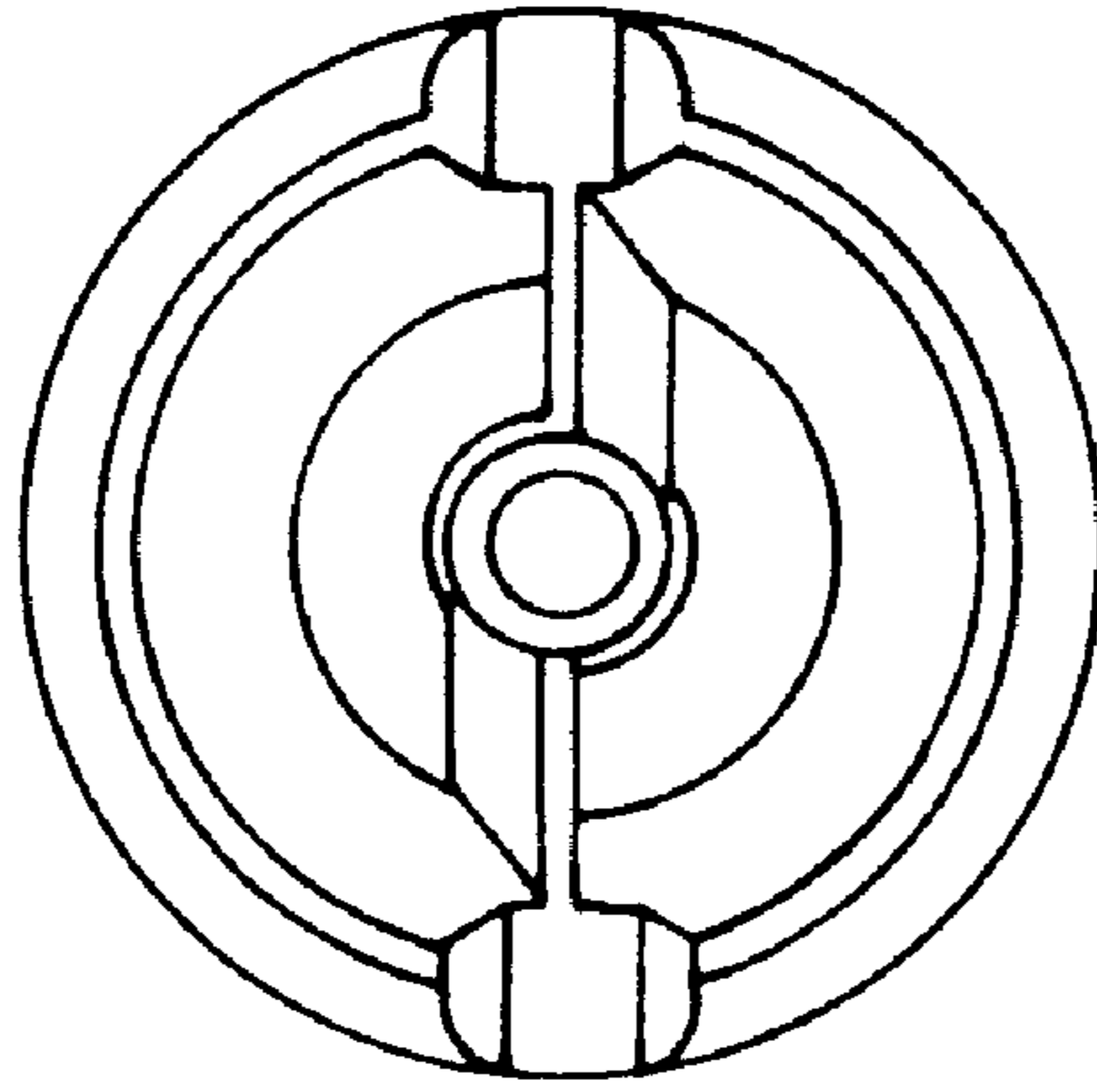


FIG. 6

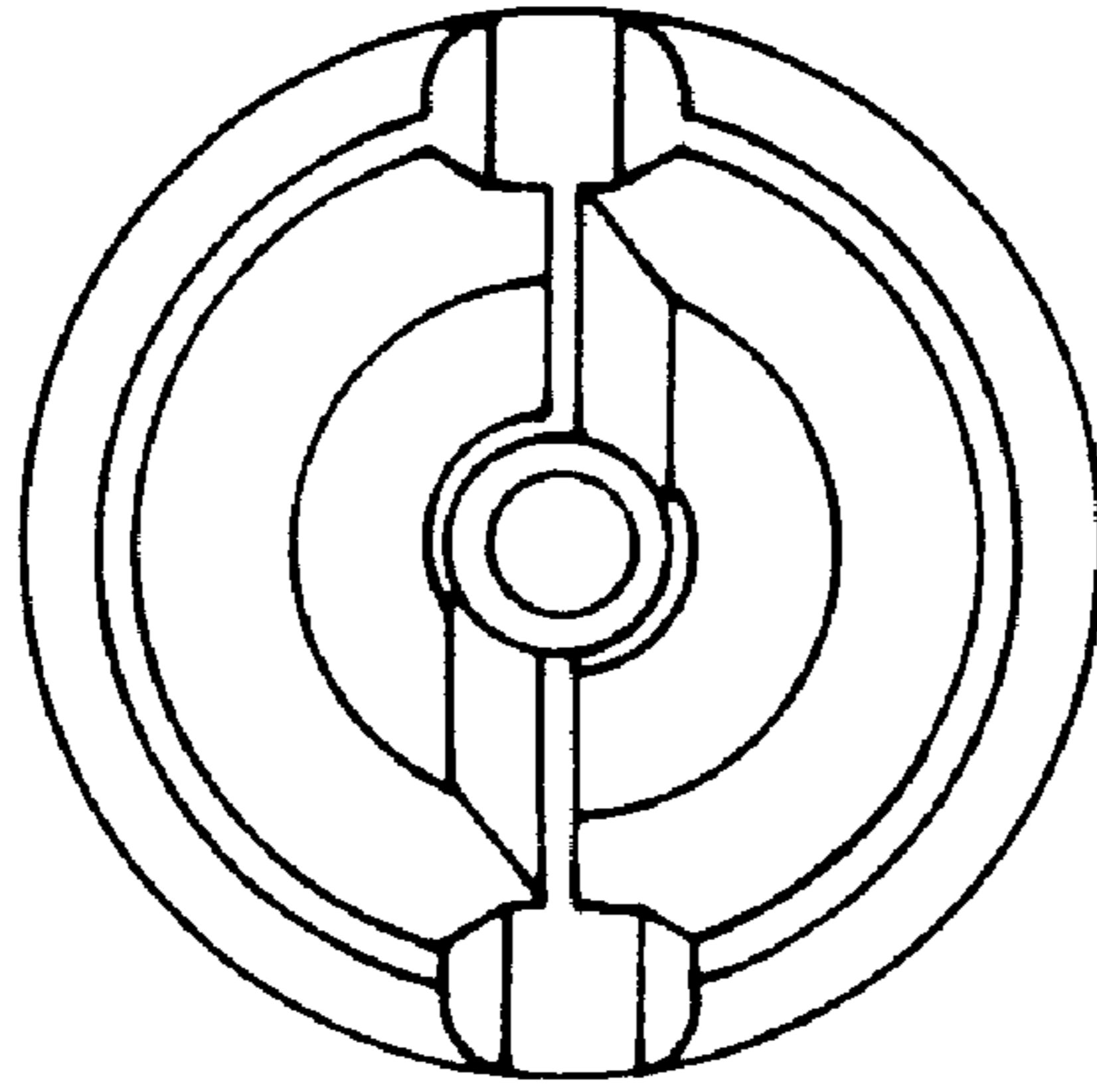


FIG. 7