



US00D436120S

(12) **United States Design Patent**  
**Nottingham et al.**

(10) **Patent No.:** **US D436,120 S**

(45) **Date of Patent:** **\*\* Jan. 9, 2001**

(54) **COIN SORTER**

5,827,117 10/1998 Naas .  
6,099,401 \* 8/2000 Perkitny ..... 453/9

(75) Inventors: **John R. Nottingham**, Hunting Valley;  
**John W. Spirk**, Gates Mills; **Patrick W. Brown**, Mantua; **William J. Knox, Jr.**, Painesville, all of OH (US)

**OTHER PUBLICATIONS**

“Mag-Nif Makes it in the U.S.A.!” Brochure, 1998.

\* cited by examiner

(73) Assignee: **Mag-Nif Incorporated**, Mentor, OH (US)

*Primary Examiner*—Caron D. Veynar

(\*\*) Term: **14 Years**

(74) *Attorney, Agent, or Firm*—Fay, Sharpe, Fagan, Minnich & McKee, LLP

(21) Appl. No.: **29/118,633**

(57) **CLAIM**

(22) Filed: **Feb. 11, 2000**

The ornamental design for a coin sorter, as shown and described.

(51) **LOC (7) Cl.** ..... **18-01**

**DESCRIPTION**

(52) **U.S. Cl.** ..... **D18/3.1**

(58) **Field of Search** ..... D18/3.1–3.3, 12.1;  
D99/28, 34, 35, 36; 453/3.5, 9, 12–15,  
31; 446/8, 10

FIG. 1 is a perspective view of a coin sorter showing our new design;

FIG. 2 is a front elevational view thereof;

FIG. 3 is a left side elevational view thereof;

FIG. 4 is a top plan view thereof;

FIG. 5 is a rear elevational view thereof;

FIG. 6 is a right side elevational view thereof; and,

FIG. 7 is a bottom plan view thereof.

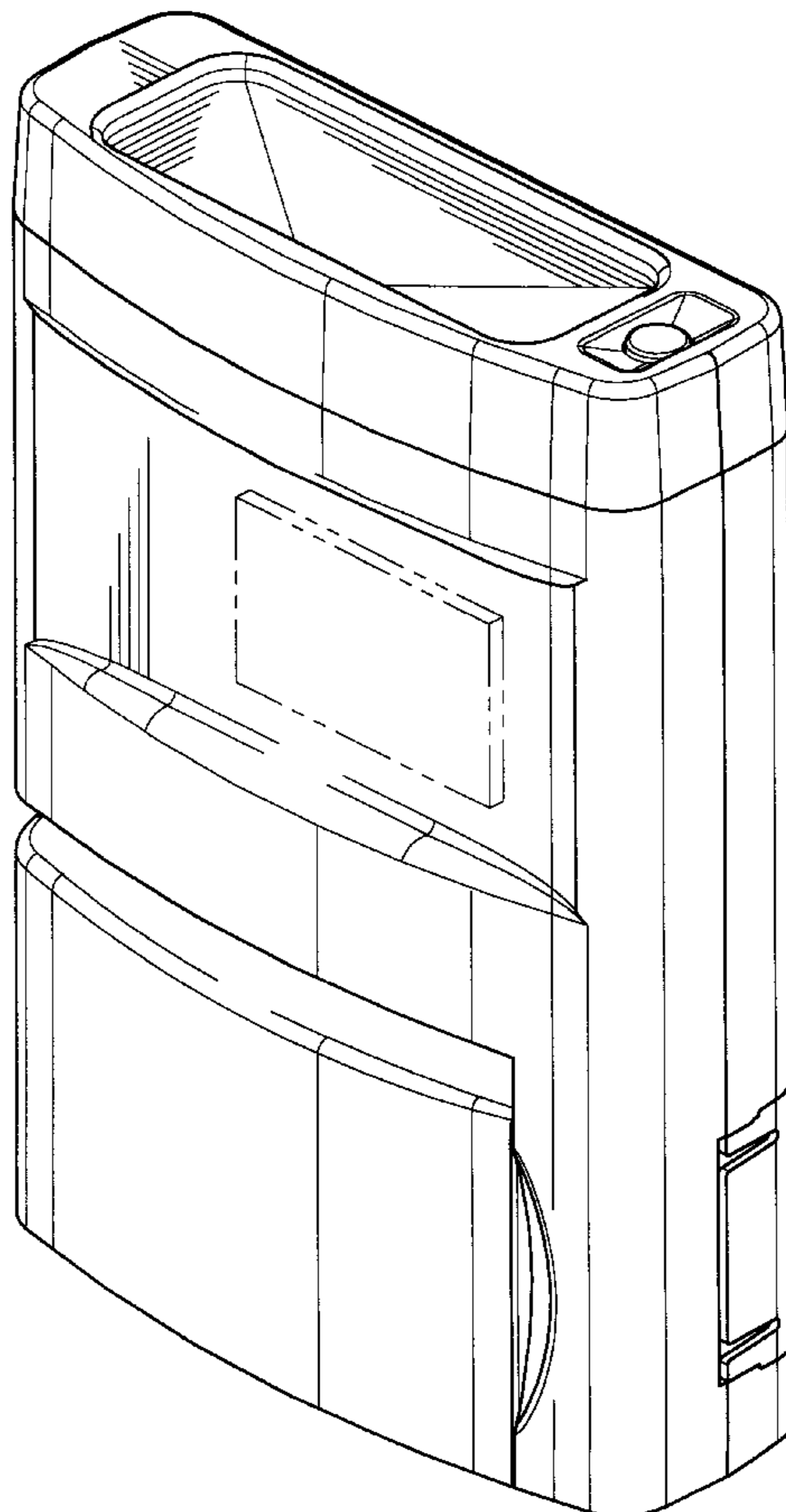
The component outlined in broken lines in FIG. 1 forms no part of the claimed design.

(56) **References Cited**

**U.S. PATENT DOCUMENTS**

- D. 296,029 5/1988 Knox .
- D. 330,384 10/1992 Knox .
- D. 347,929 6/1994 Perkitny .
- D. 393,530 4/1998 Perkitny .
- D. 393,531 \* 4/1998 Perkitny ..... D99/35

**1 Claim, 3 Drawing Sheets**



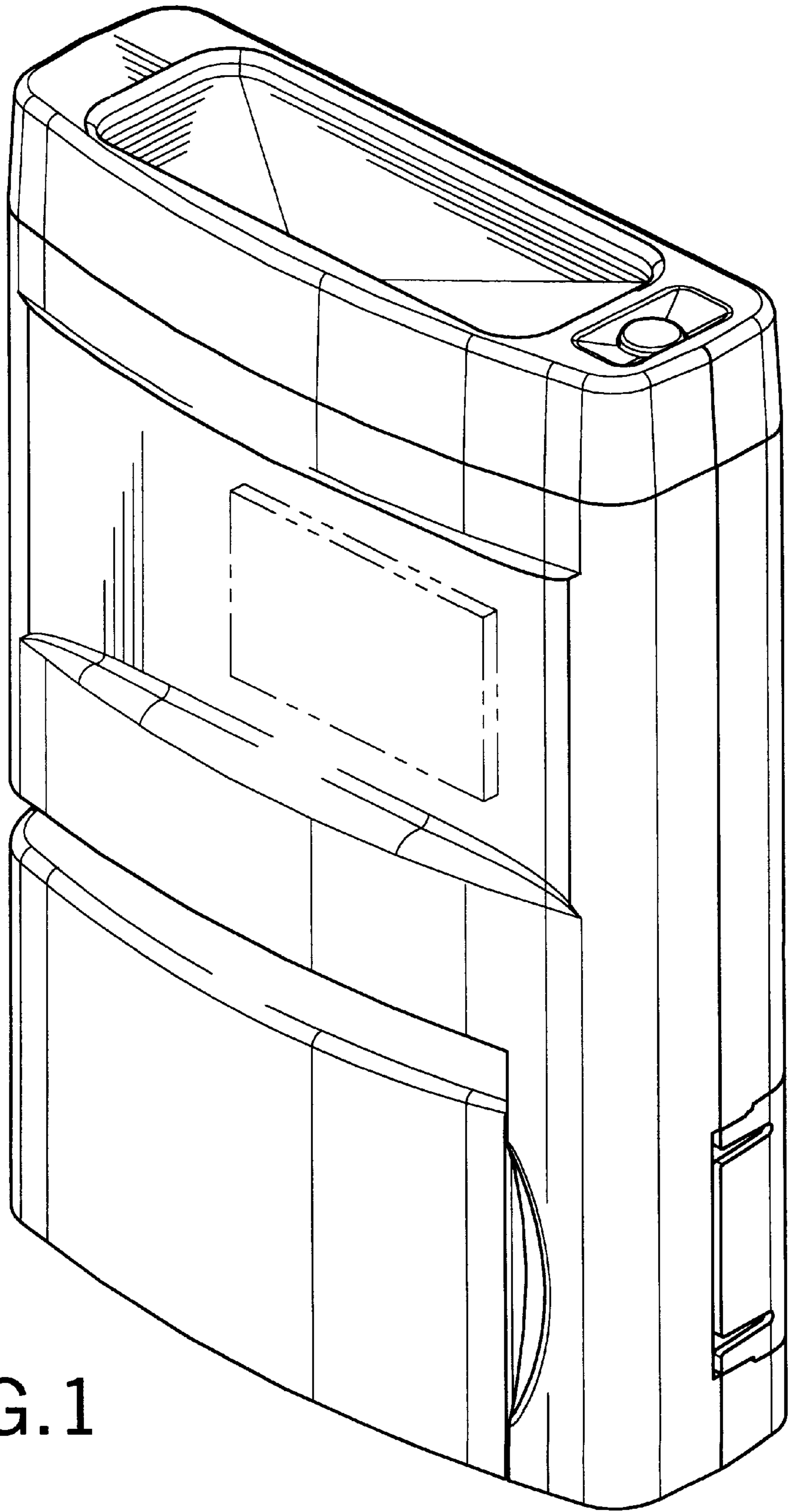


FIG. 1

FIG.4

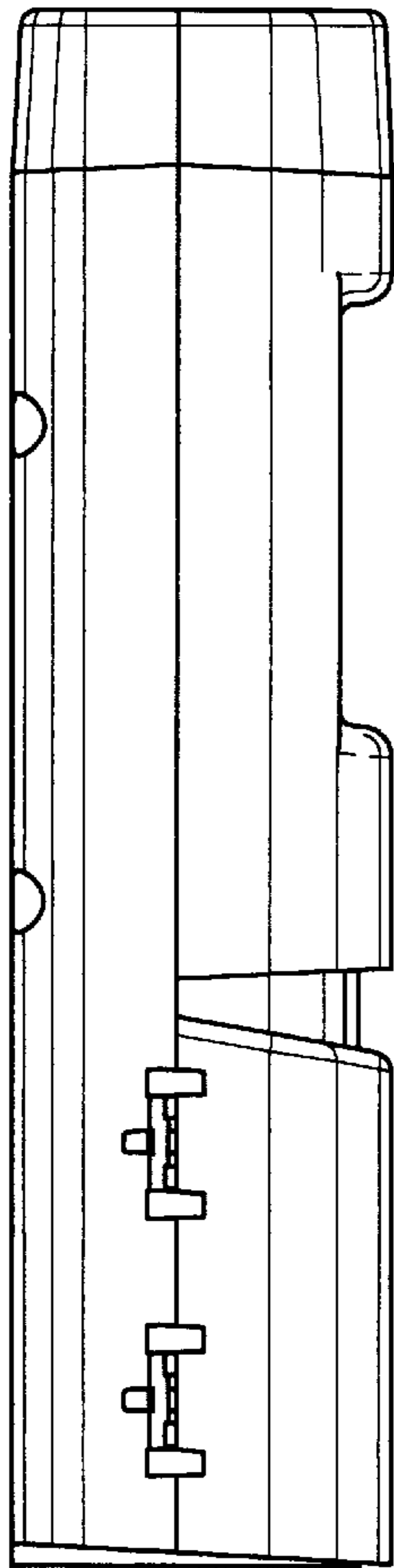
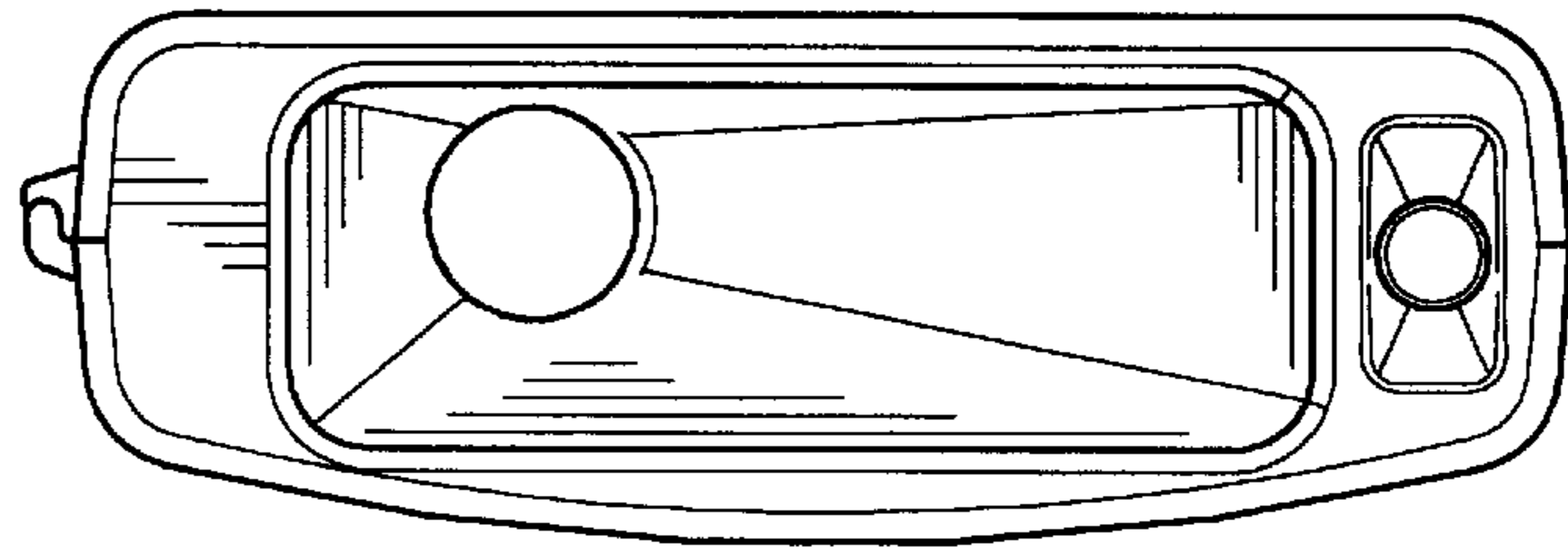


FIG.3

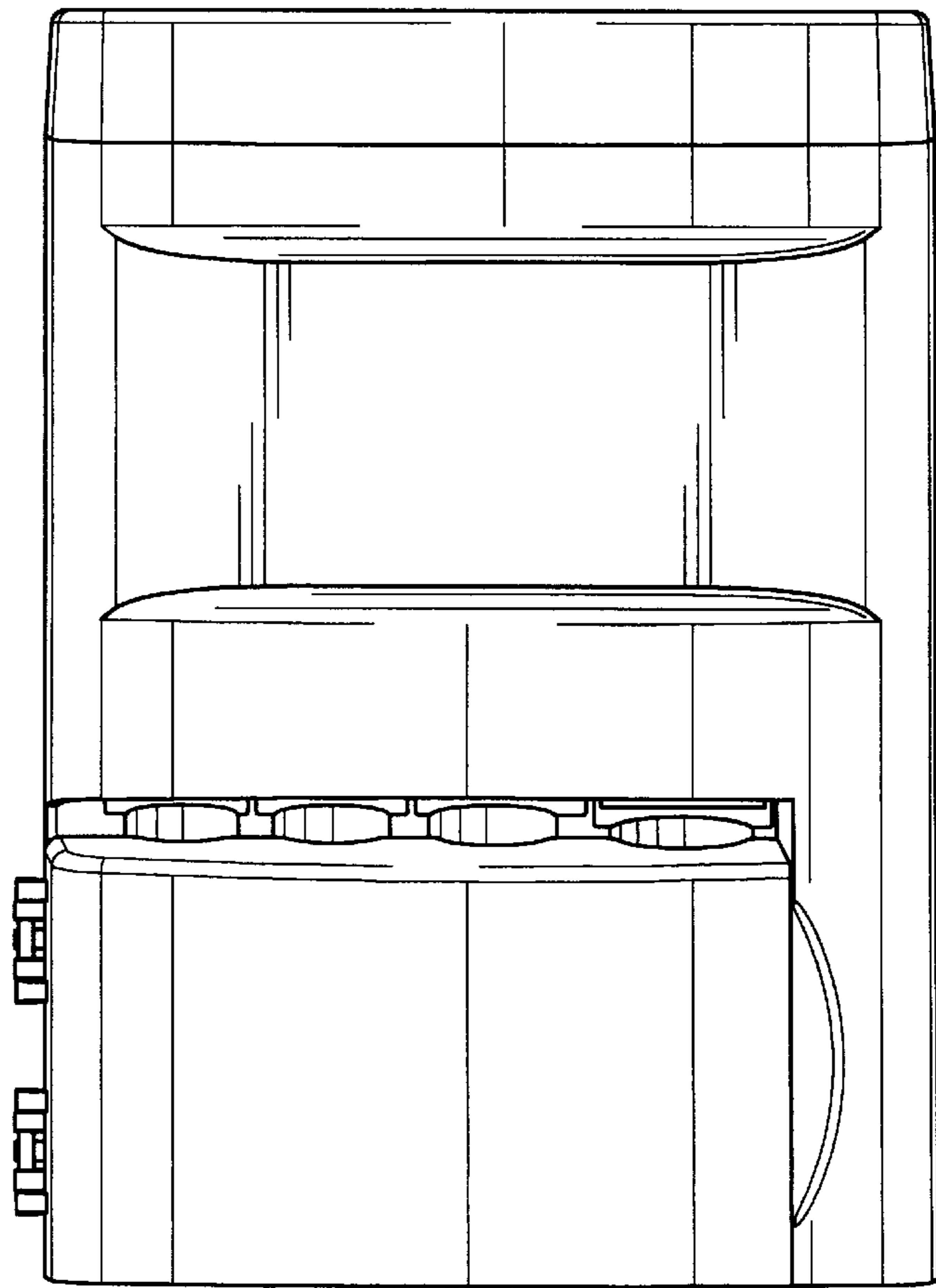


FIG.2

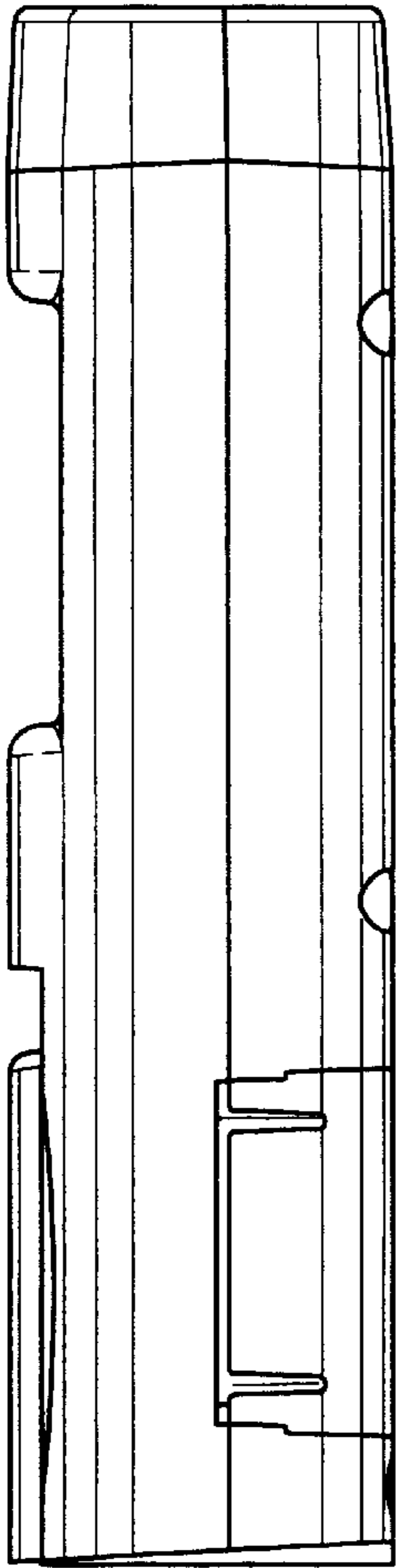


FIG. 6

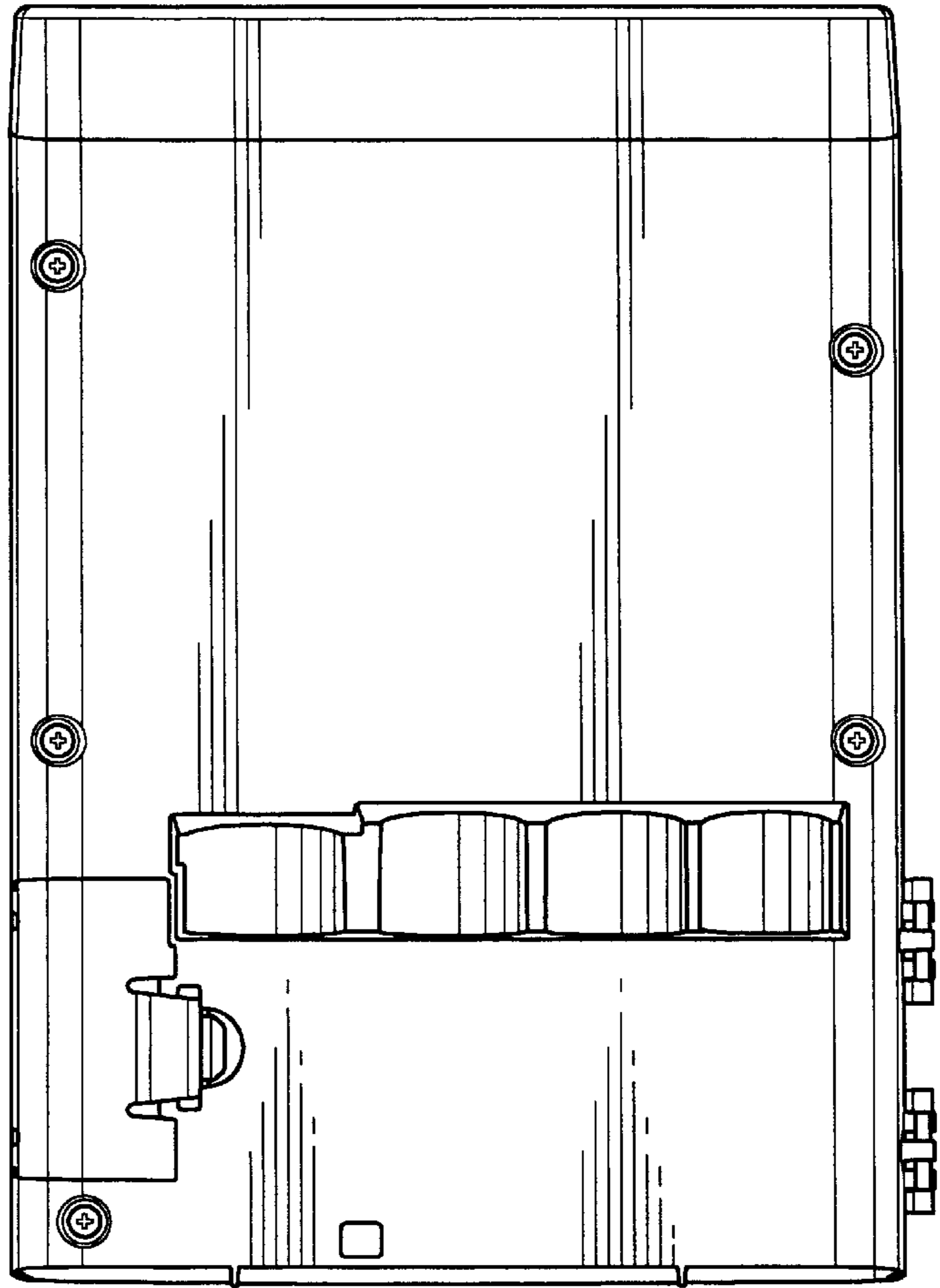


FIG. 5

FIG. 7

