



US00D436118S

(12) **United States Design Patent**
London et al.

(10) **Patent No.:** **US D436,118 S**

(45) **Date of Patent:** **** Jan. 9, 2001**

(54) **BORESCOPE**

(75) Inventors: **Nicholas J. London**, Chelmsford; **John N. Mitchell**, Goffs Oak; **Martin F. Bennison**, London, all of (GB)

(73) Assignee: **Keymed (Medical & Industrial Equipment) Ltd** (GB)

(**) Term: **14 Years**

(21) Appl. No.: **29/114,486**

(22) Filed: **Nov. 23, 1999**

(30) **Foreign Application Priority Data**

May 24, 1999 (GB) 2083672

(51) **LOC (7) Cl.** **16-99**

(52) **U.S. Cl.** **D16/130**

(58) **Field of Search** D16/130; 359/367,
359/435, 900; 356/241.1; D24/133, 137,
138; 600/168, 169, 170, 173, 104, 178,
180

(56) **References Cited**

U.S. PATENT DOCUMENTS

D. 138,143 * 6/1944 Lindbloom D16/130

D. 181,503 * 11/1957 Streifeneder D16/130

D. 274,277 * 6/1984 Manoy D16/130
D. 306,605 * 3/1990 Mandy et al. D16/130
D. 402,028 * 12/1998 Grimm et al. D24/133
D. 420,131 * 2/2000 Renner et al. D24/138
4,822,154 * 4/1989 Oxford et al. 359/367
5,088,819 * 2/1992 Storz 356/241.1

* cited by examiner

Primary Examiner—Paula A. Mortimer

(74) *Attorney, Agent, or Firm*—Smith, Gambrell & Russell, LLP

(57) **CLAIM**

The ornamental design for a borescope, as shown and described.

DESCRIPTION

FIG. 1 is a front perspective view of a borescope showing our new design;
FIG. 2 is a rear perspective view thereof;
FIG. 3 is a plan view thereof, to which the opposite side corresponds;
FIG. 4 is a side view thereof;
FIG. 5 is a bottom view thereof;
FIG. 6 is a front view thereof; and,
FIG. 7 is a rear view thereof.

1 Claim, 5 Drawing Sheets

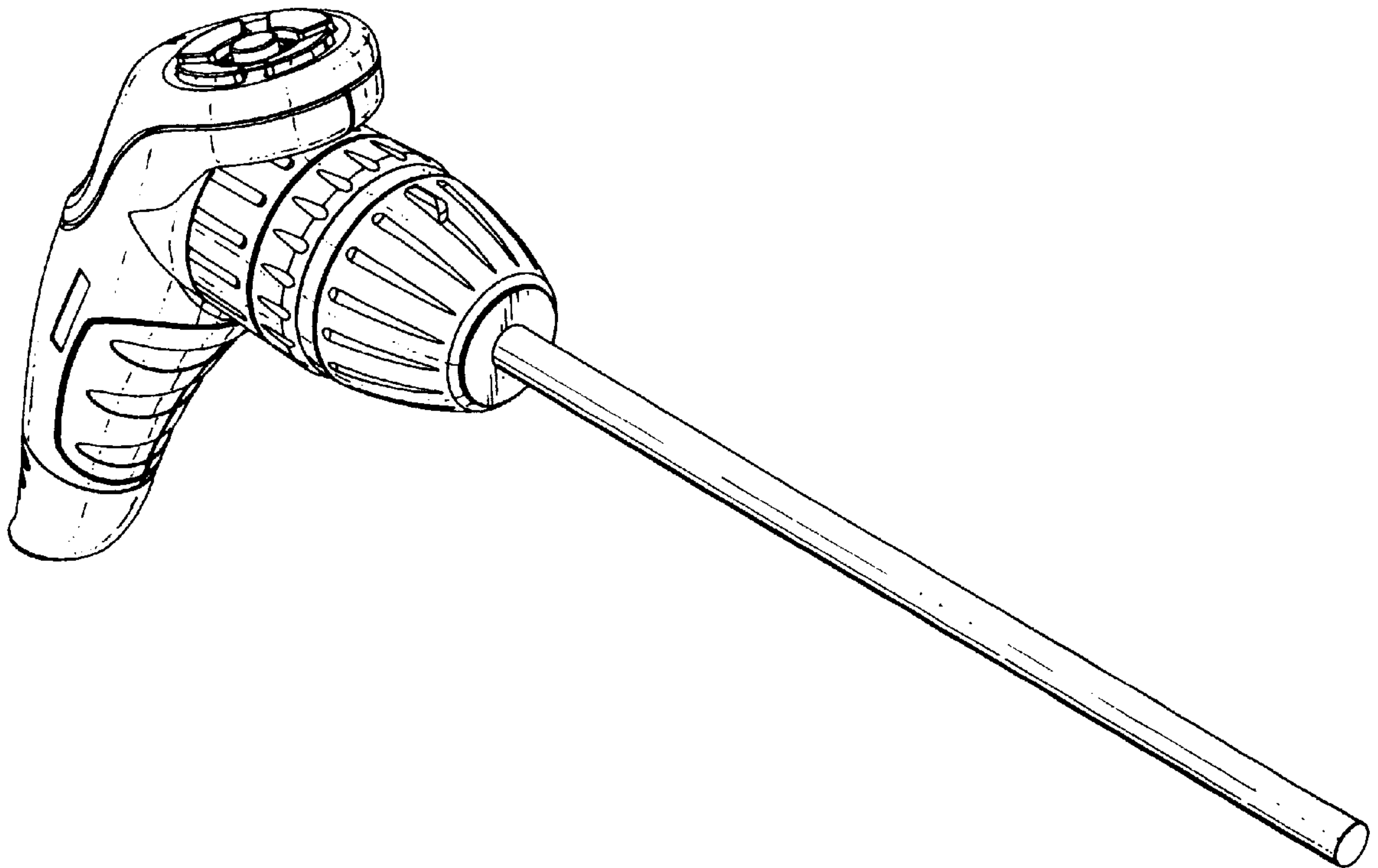


FIG. 1.

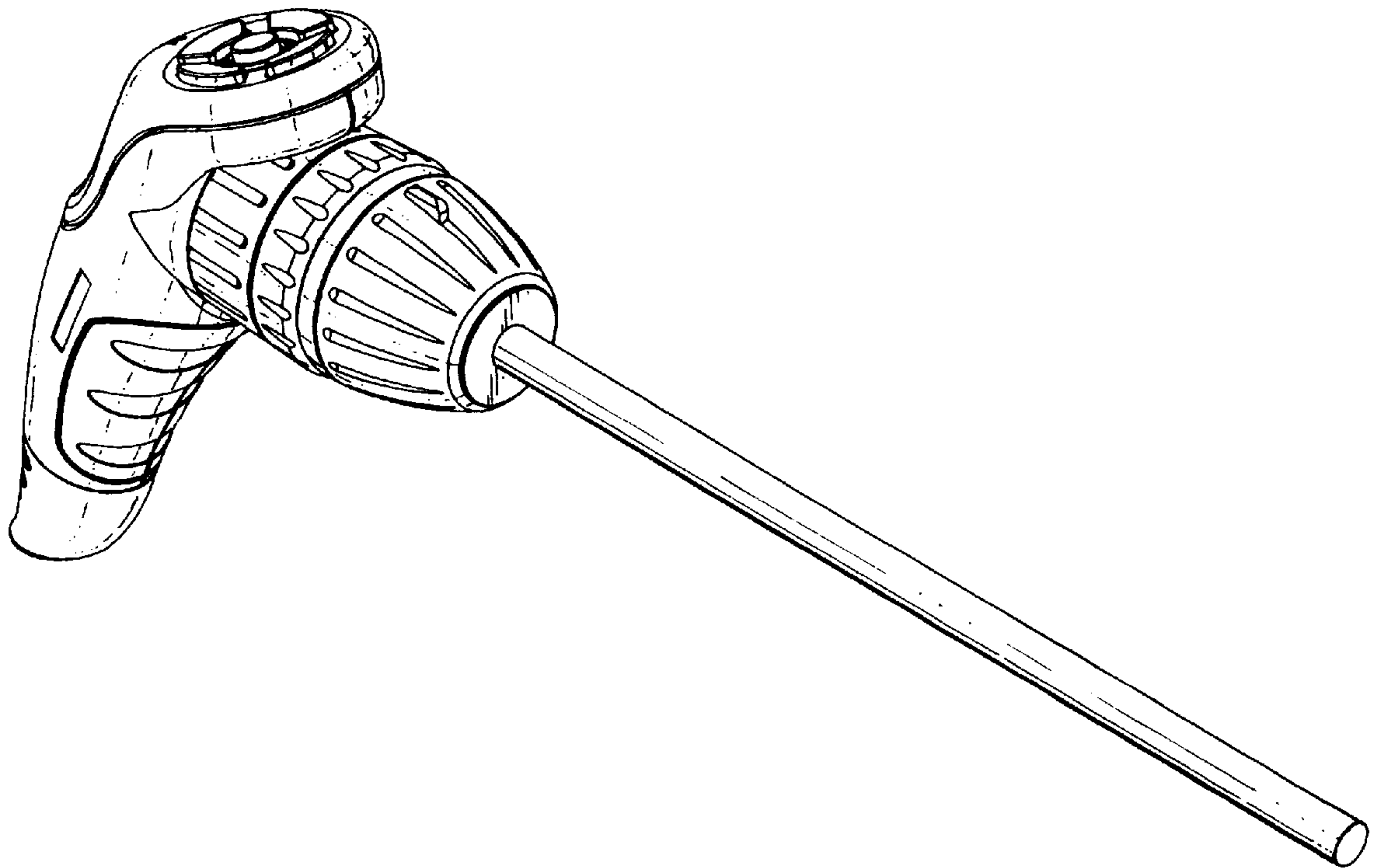


FIG. 2.

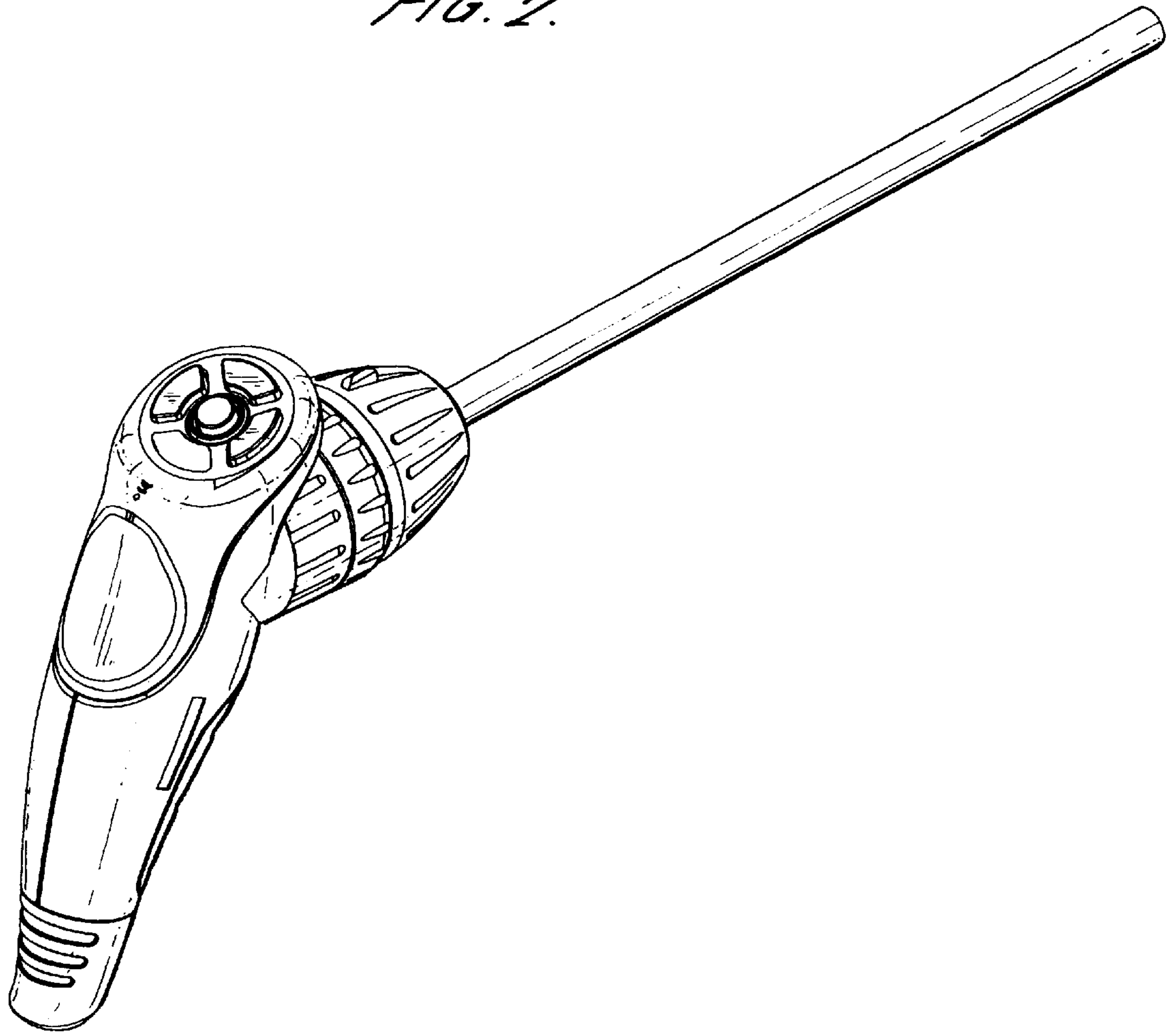


FIG. 3.

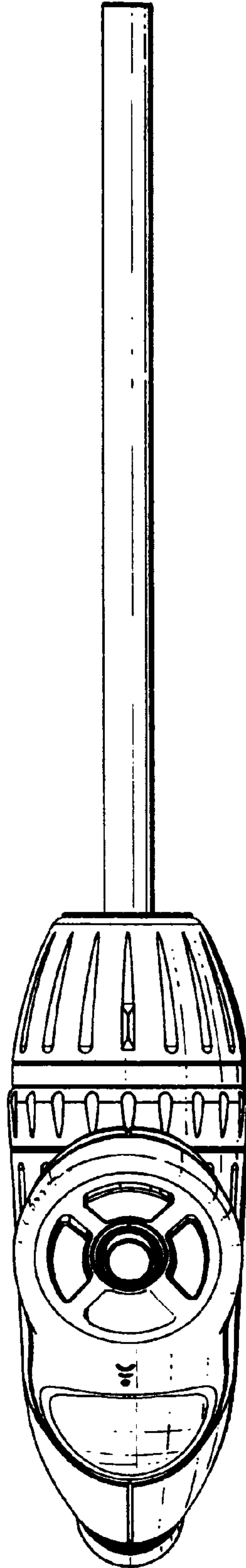


FIG. 4.

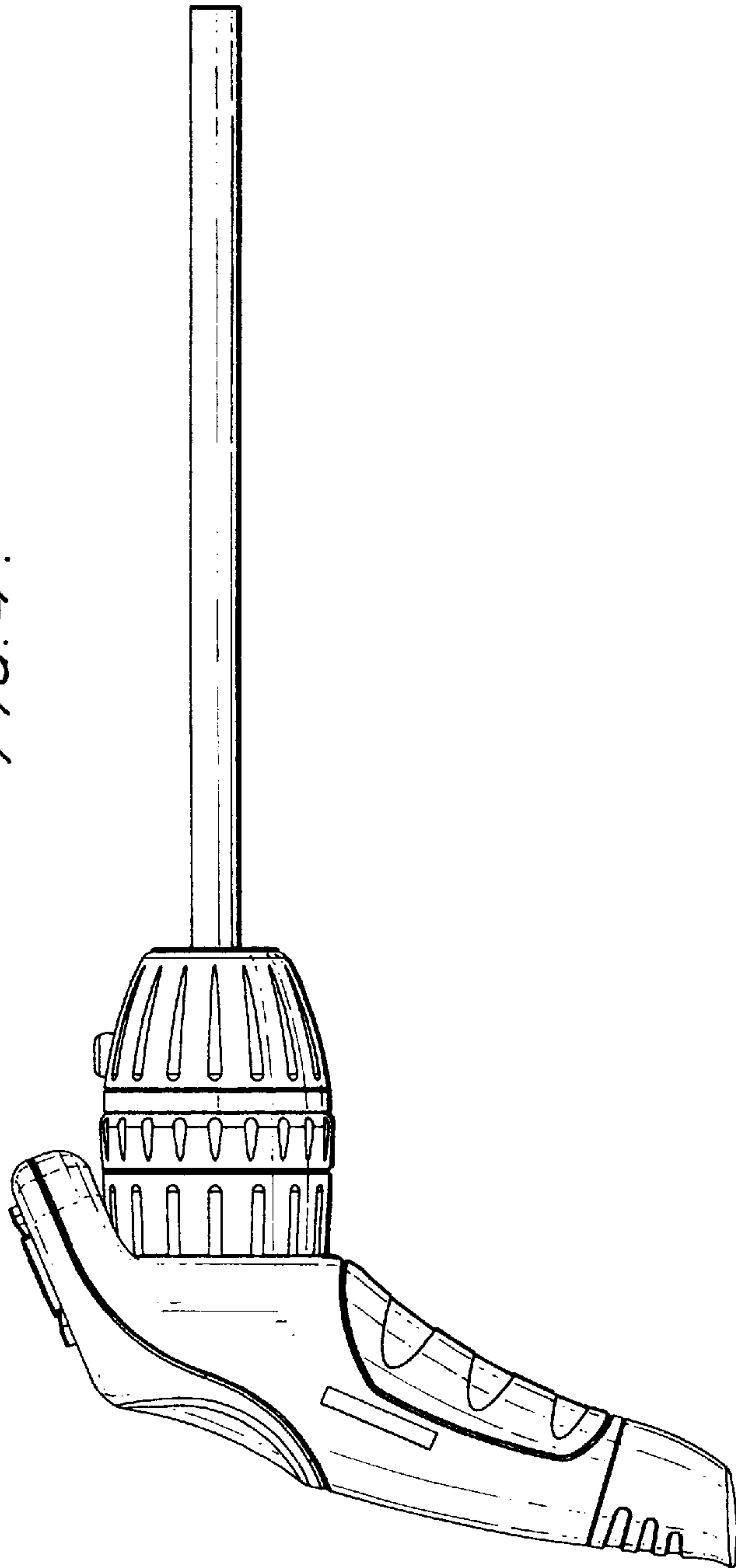


FIG. 5.

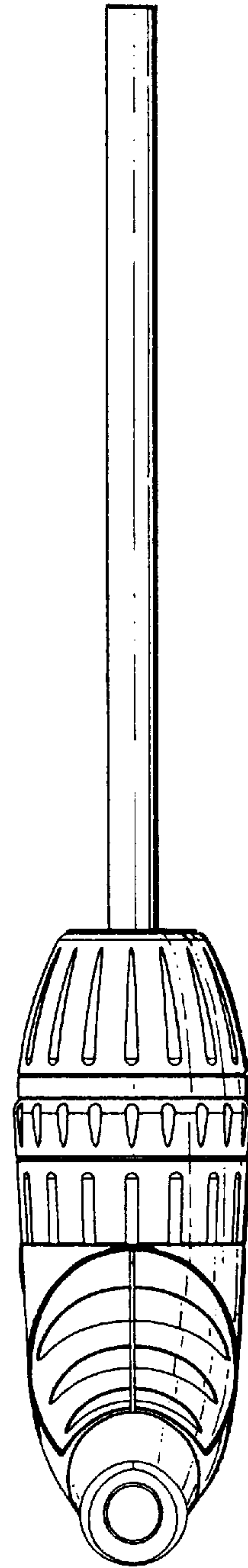


FIG. 6.

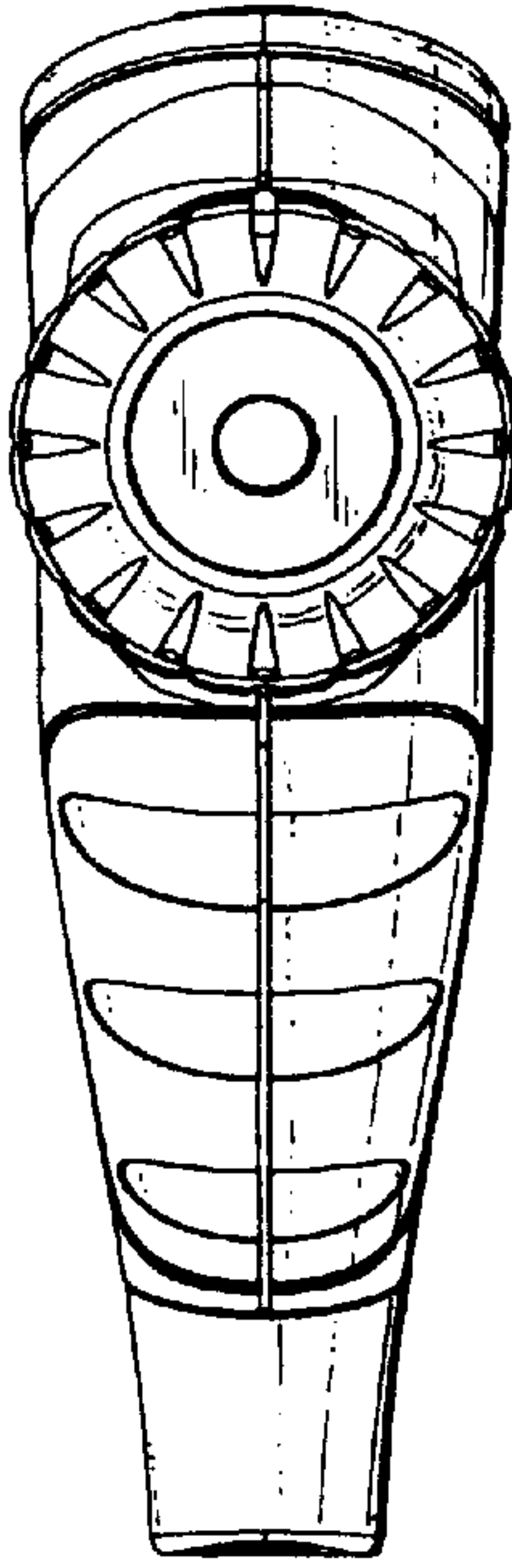


FIG. 7.

