



US00D436117S

(12) **United States Design Patent**
Chuang

(10) **Patent No.:** **US D436,117 S**

(45) **Date of Patent:** **** Jan. 9, 2001**

(54) **BEARING SLEEVE**

(76) Inventor: **William Chuang**, No. 32, Kon-Shing St., Shulin, Taipei Hsien (TW)

(**) Term: **14 Years**

(21) Appl. No.: **29/115,062**

(22) Filed: **Dec. 7, 1999**

(51) **LOC (7) Cl.** **15-09**

(52) **U.S. Cl.** **D15/143**

(58) **Field of Search** D15/143; 384/484, 384/477, 536, 545, 537

(56) **References Cited**

U.S. PATENT DOCUMENTS

D. 247,781 * 4/1978 DiLoreto D15/143

* cited by examiner

Primary Examiner—Antoine Duval Davis
(74) *Attorney, Agent, or Firm*—Jackson Walker L.L.P.

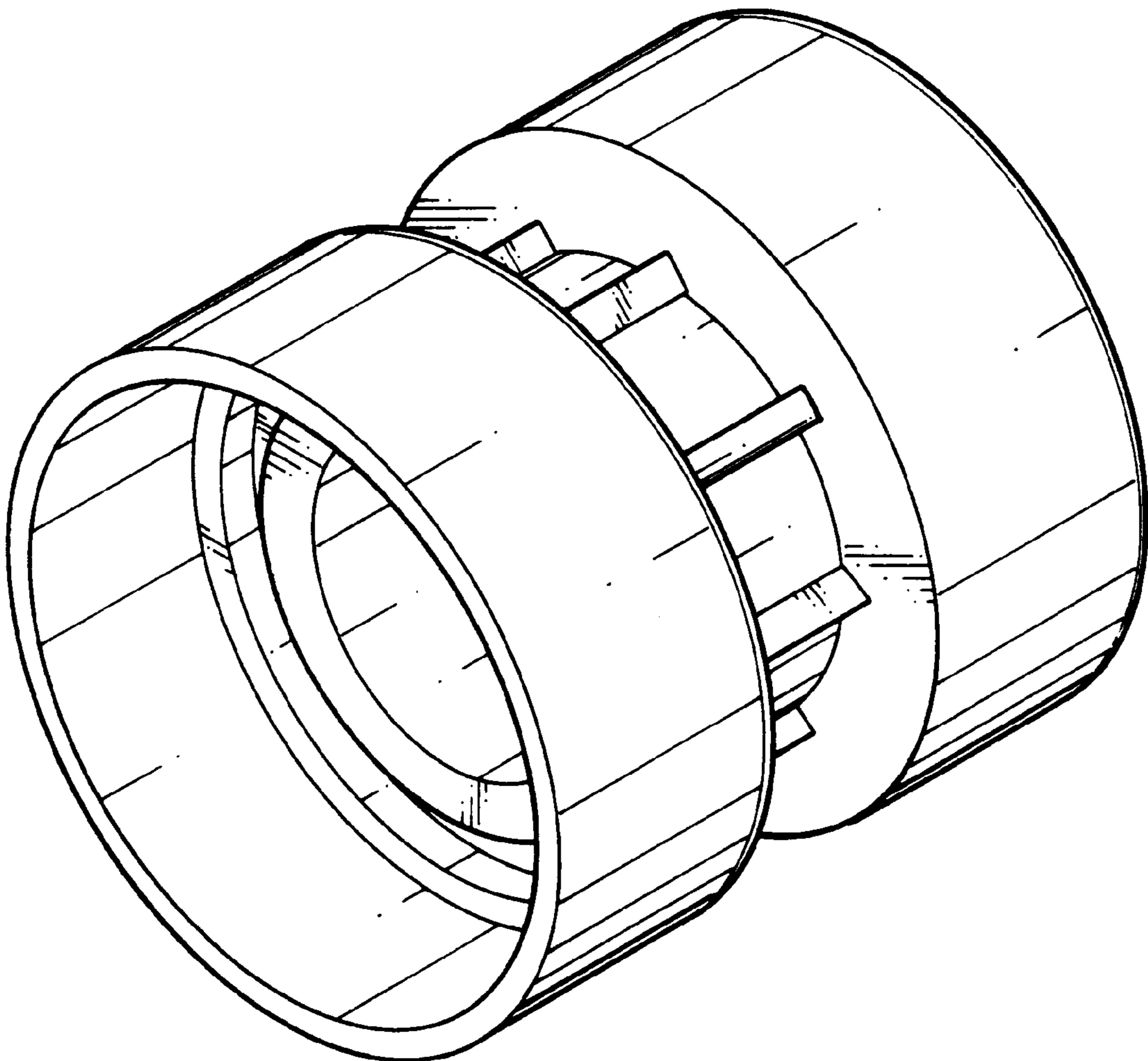
(57) **CLAIM**

The ornamental design for a bearing sleeve, as shown and described.

DESCRIPTION

FIG. 1 is a front-right-top perspective view of a bearing sleeve, showing my new design; FIG. 2 is a front view thereof; FIG. 3 is a rear view thereof; FIG. 4 is a left side view thereof; FIG. 5 is a right side view thereof; FIG. 6 is a top plan view thereof; FIG. 7 is a bottom plan view thereof; and, FIG. 8 is an embodiment showing the application of my new design.

1 Claim, 5 Drawing Sheets



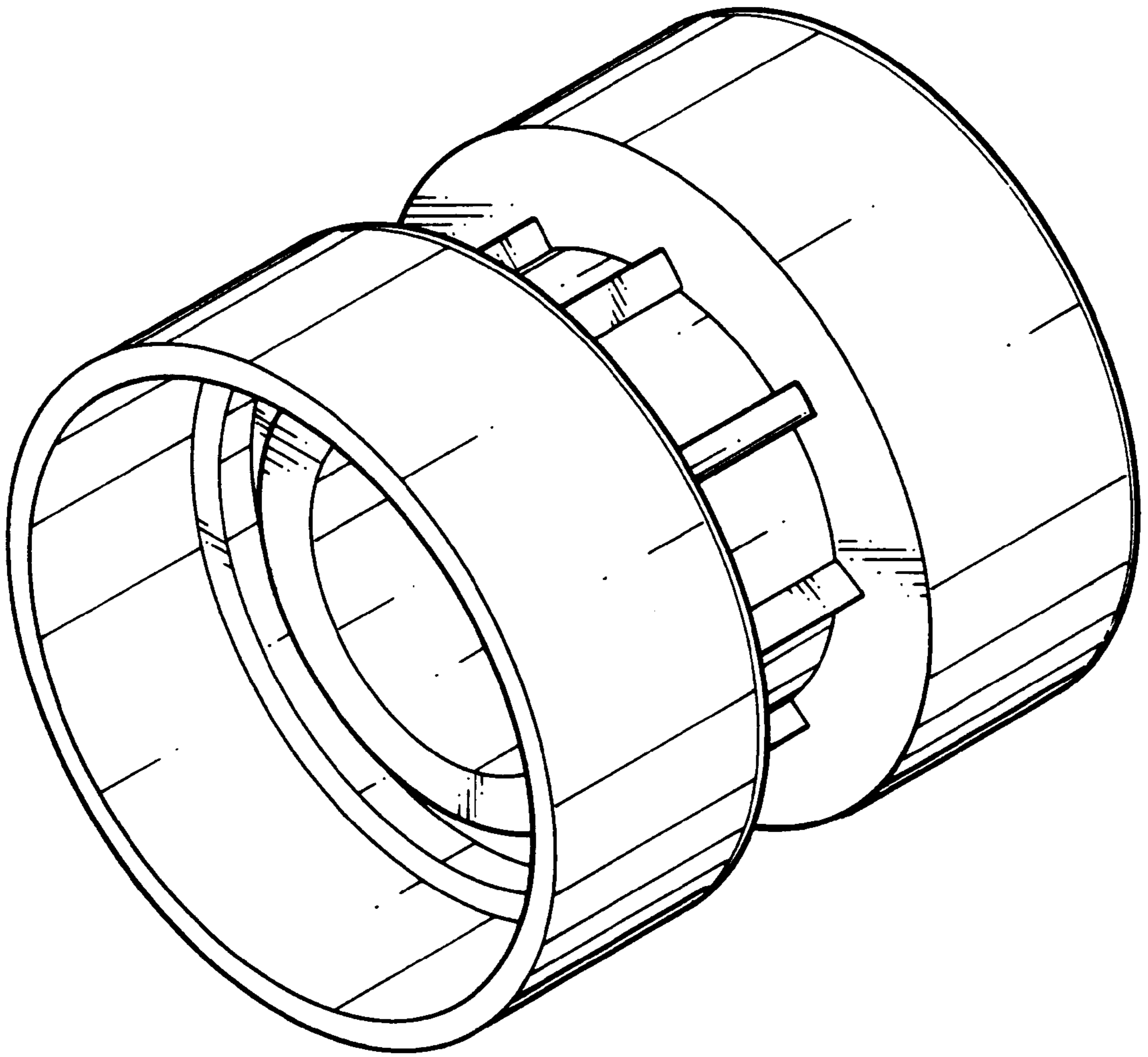


Fig . 1

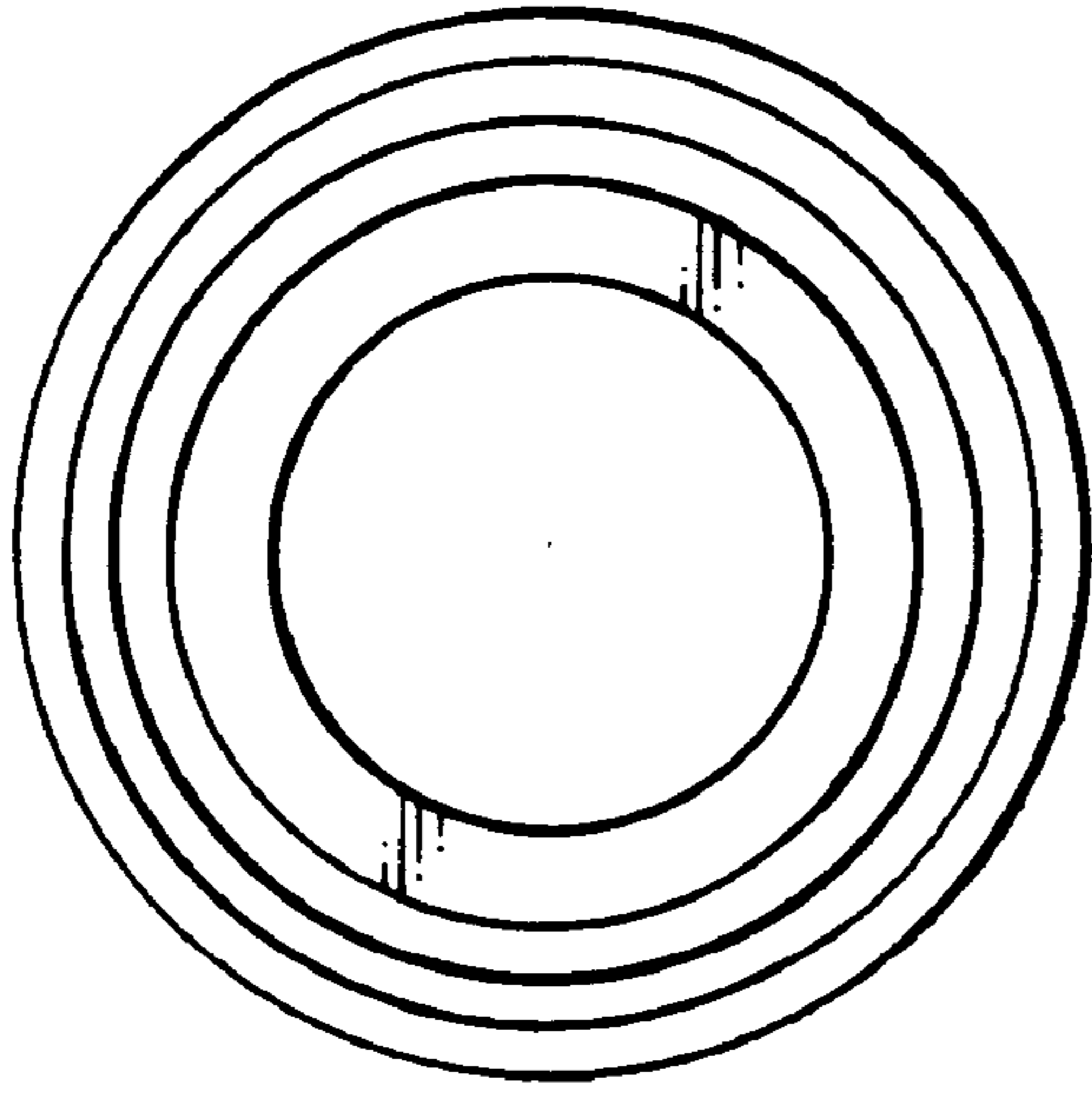


Fig. 2

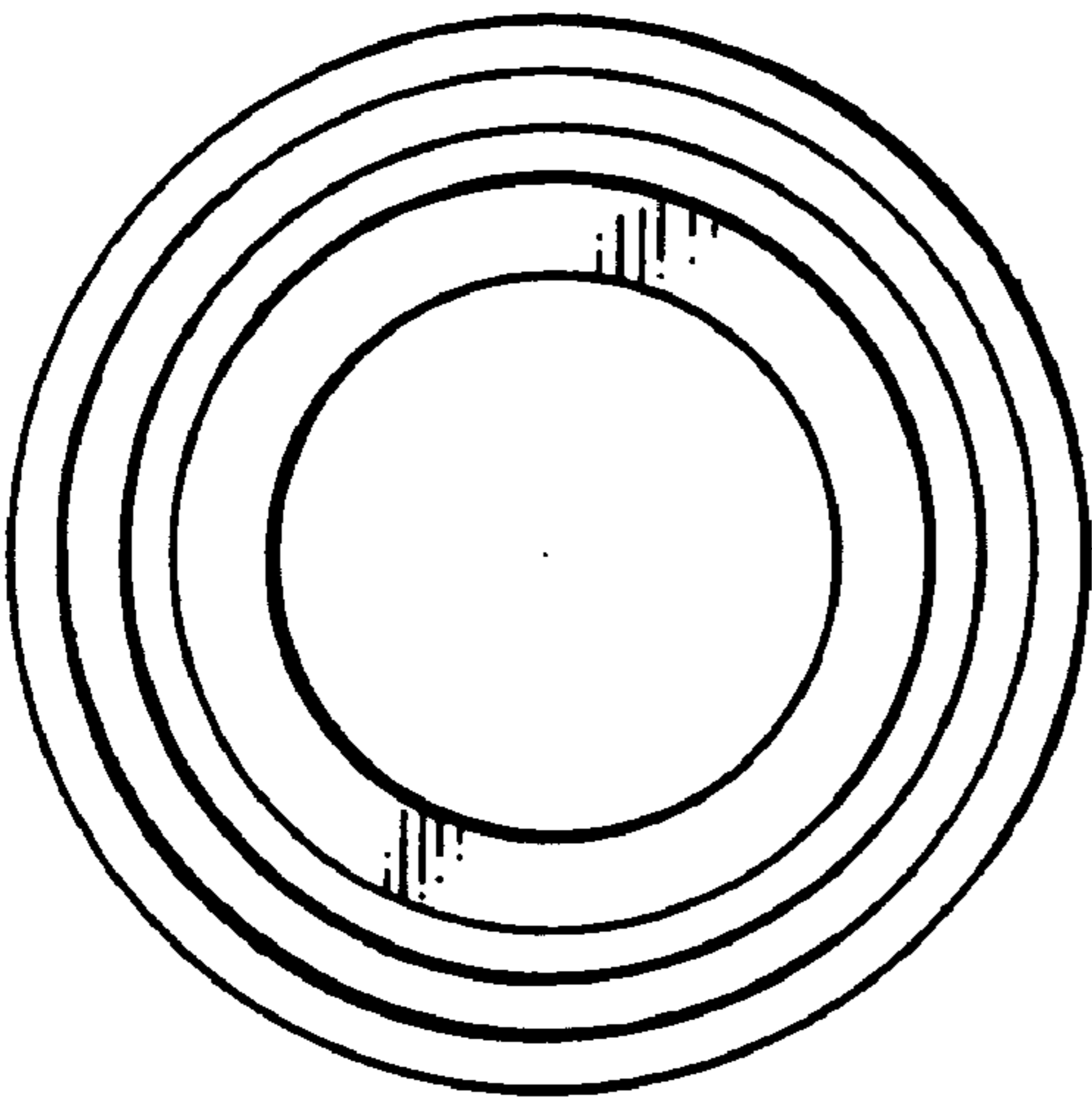


Fig. 3

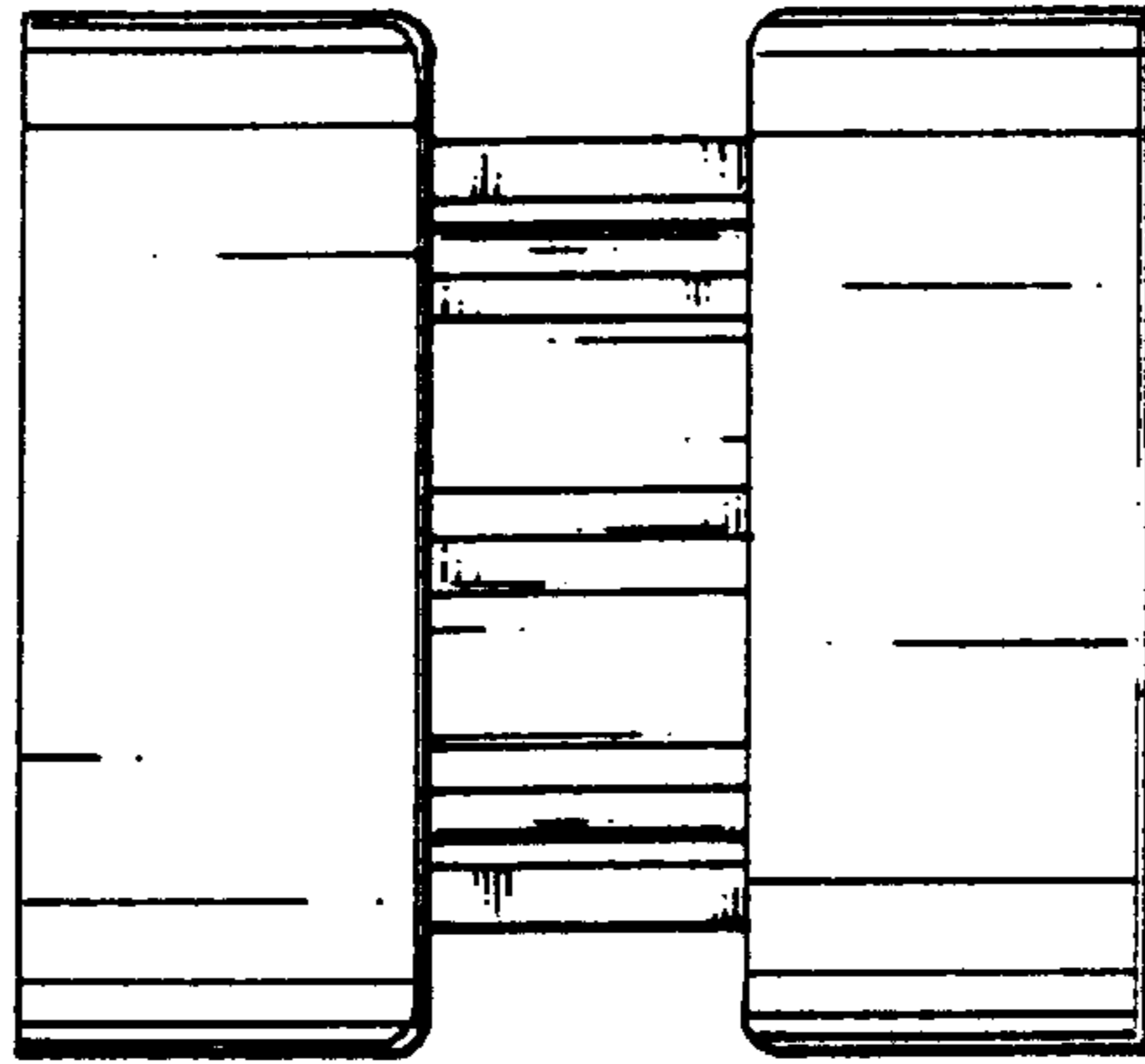


Fig. 4

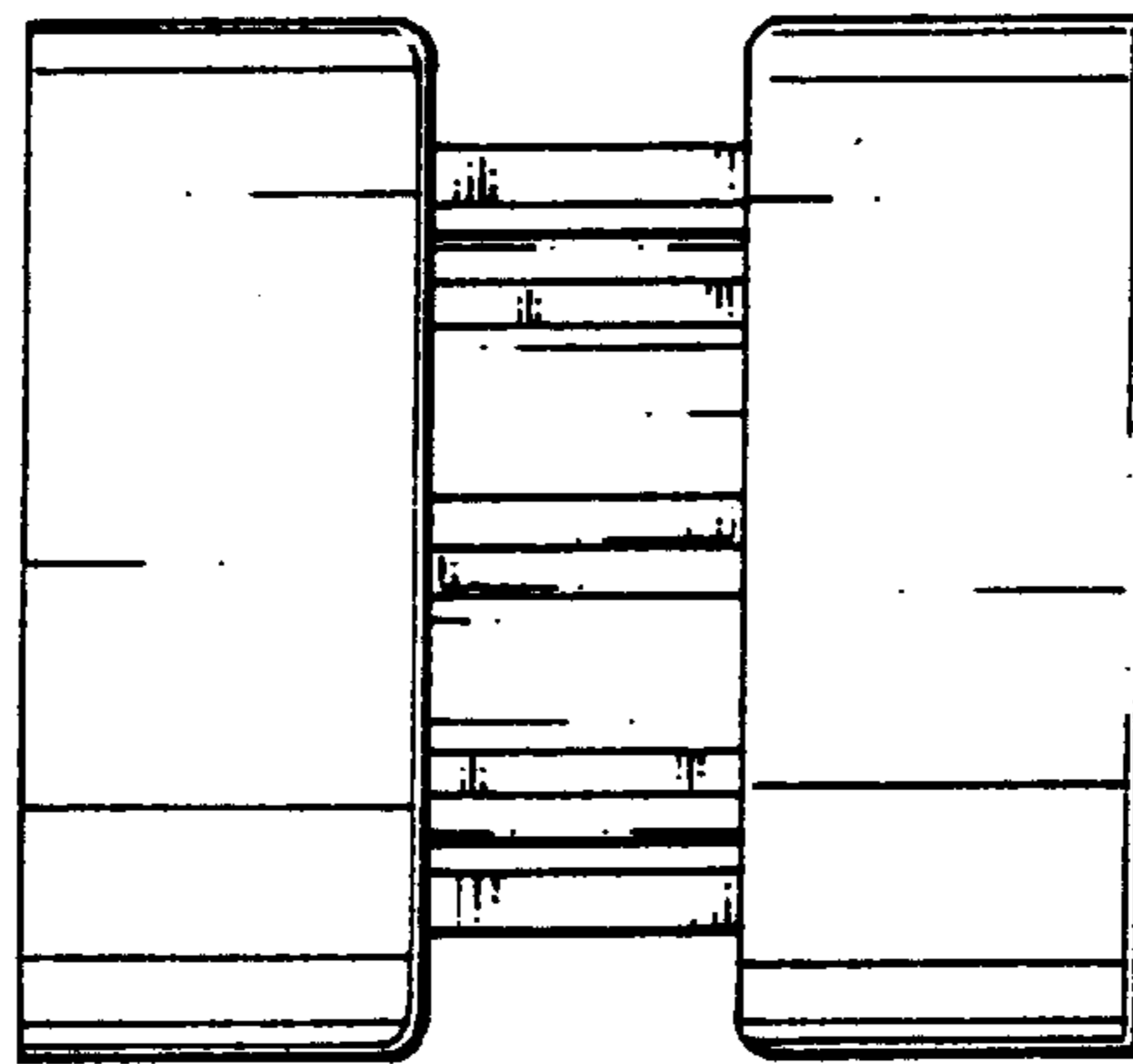


Fig. 5

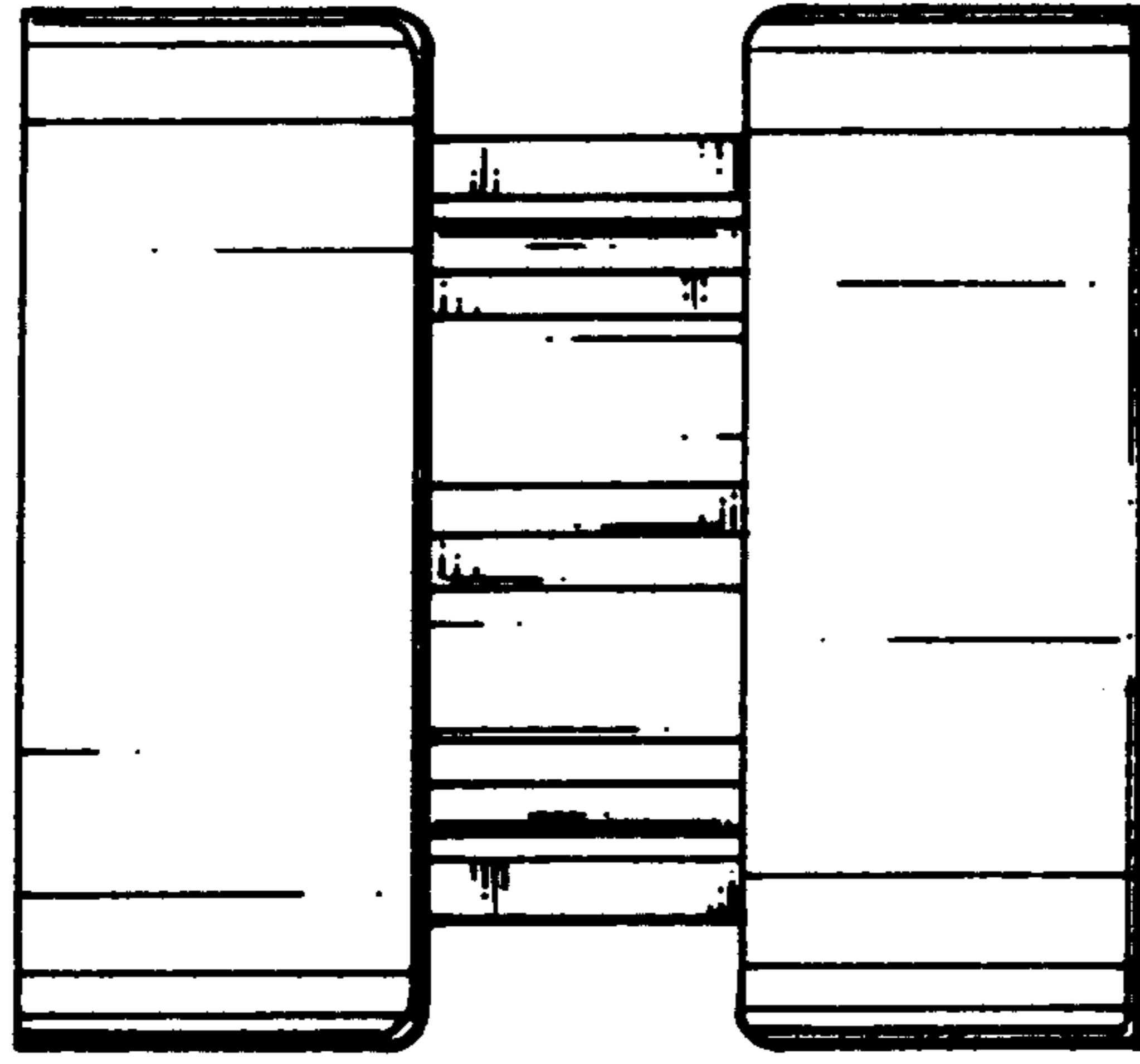


Fig. 6

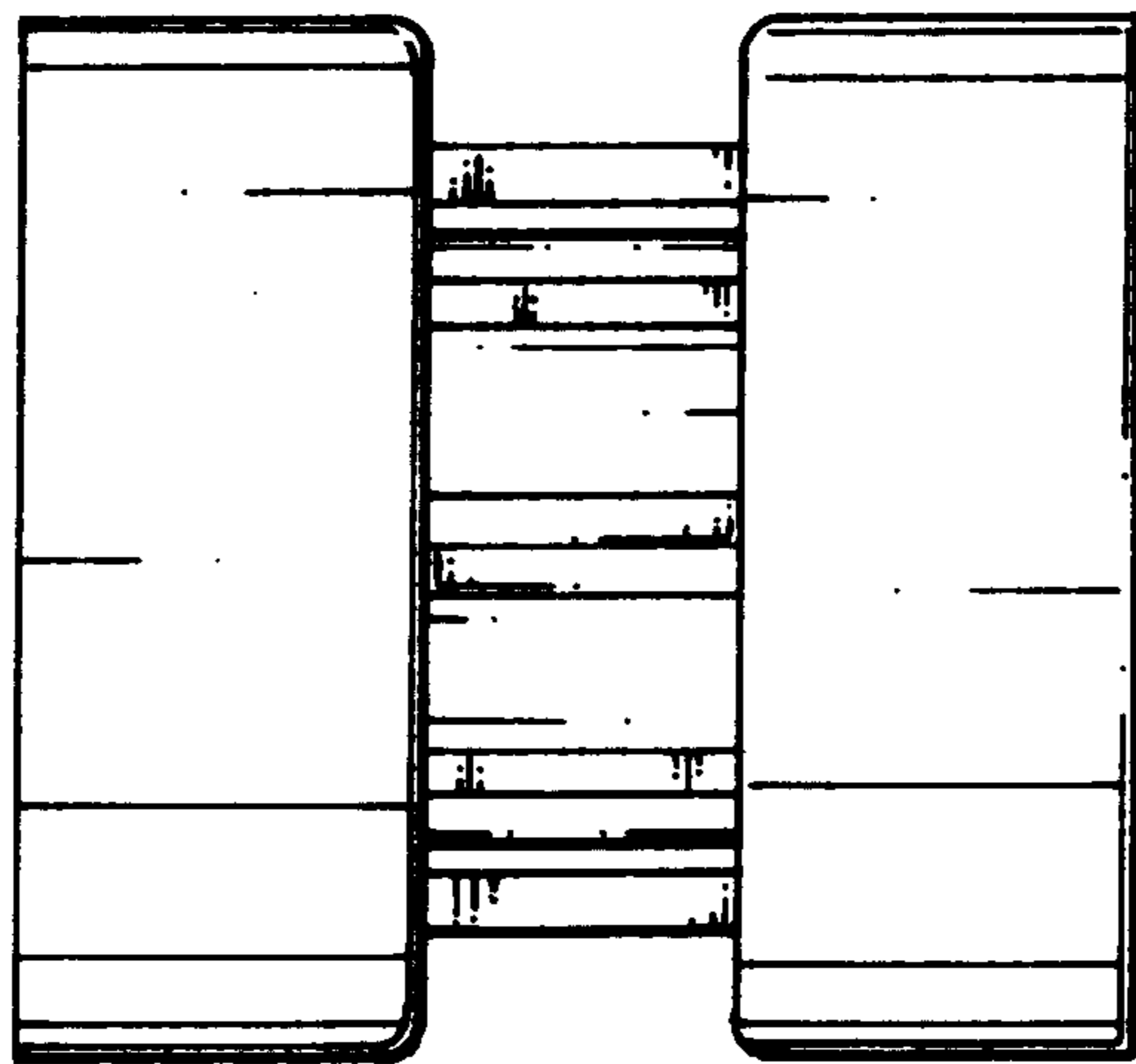


Fig. 7

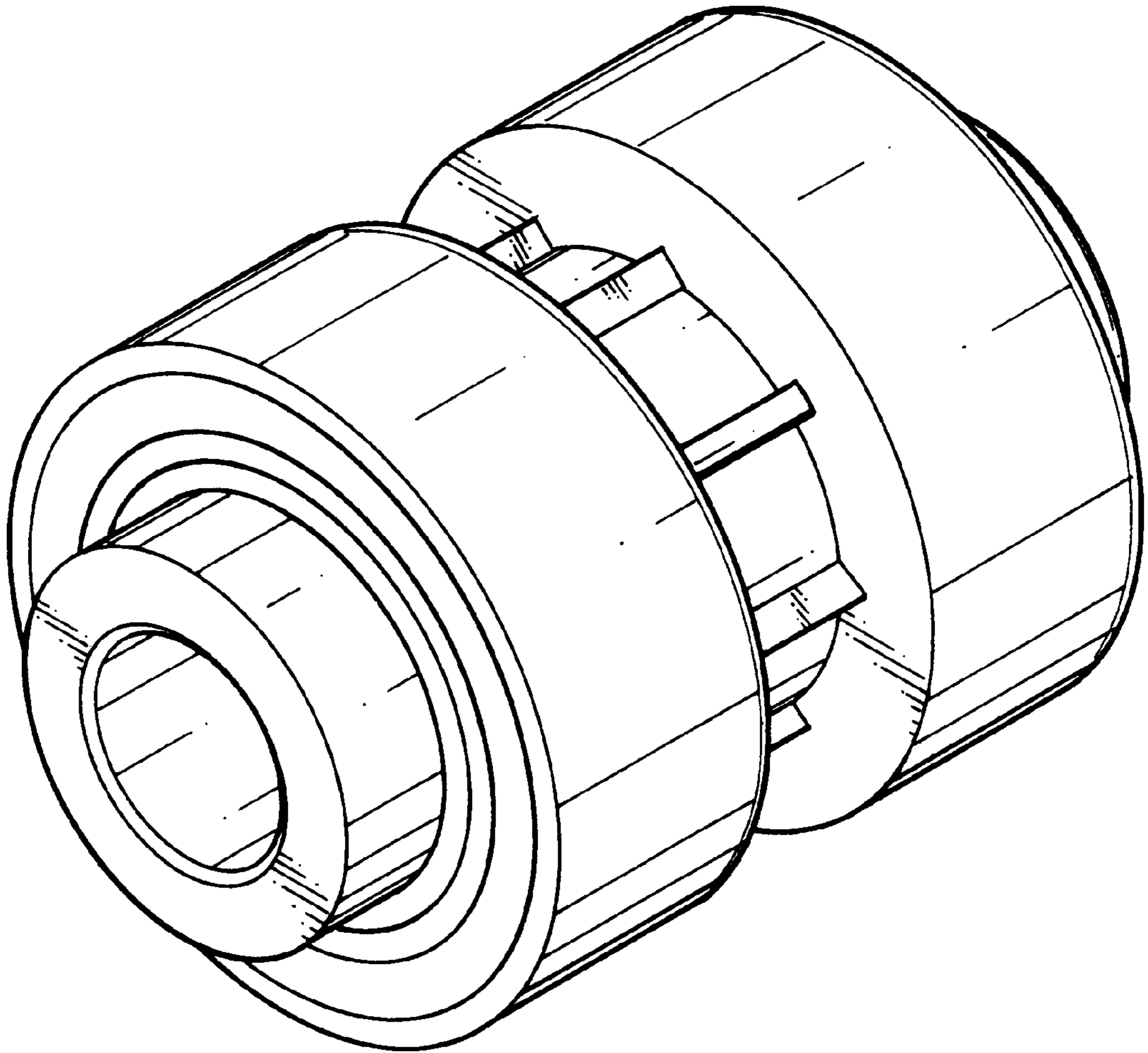


Fig . 8