



US00D436116S

(12) **United States Design Patent**
Clendenning

(10) **Patent No.:** **US D436,116 S**

(45) **Date of Patent:** **** Jan. 9, 2001**

(54) **DIGGING TOOTH**

(75) Inventor: **Charles Clendenning**, Broken Arrow, OK (US)

(73) Assignee: **H&L Tooth Co.**, Tulsa, OK (US)

(**) Term: **14 Years**

(21) Appl. No.: **29/112,693**

(22) Filed: **Oct. 21, 1999**

(51) **LOC (7) Cl.** **15-04**

(52) **U.S. Cl.** **D15/29**

(58) **Field of Search** D15/10, 25, 28, D15/29; 37/452-455

| | | | | | |
|-----------|---|---------|---------------|-------|--------|
| 5,018,283 | * | 5/1991 | Fellner | | 37/452 |
| 5,074,062 | | 12/1991 | Hahn et al. | . | |
| 5,177,886 | | 1/1993 | Klett | . | |
| 5,224,282 | | 7/1993 | Swick | | 37/453 |
| 5,469,648 | | 11/1995 | Jones et al. | | 37/457 |
| 5,666,748 | | 9/1997 | Emrich et al. | | 37/453 |
| 5,778,570 | | 7/1998 | Eichelberger | | 37/450 |
| 5,802,752 | * | 9/1998 | Quarfordt | | 37/452 |

FOREIGN PATENT DOCUMENTS

| | | | | | |
|-------------|--|---------|------|-------|--------|
| 999895 | | 11/1976 | (CA) | . | |
| 2938119 | | 4/1981 | (DE) | | 37/454 |
| 3839062 | | 11/1988 | (DE) | | 37/454 |
| 43 45 100A1 | | 7/1995 | (DE) | . | |
| 2 264 140 | | 10/1975 | (FR) | . | |

* cited by examiner

Primary Examiner—Sandra L. Morris

(74) *Attorney, Agent, or Firm*—John W. Harbst

(56) **References Cited**

U.S. PATENT DOCUMENTS

| | | | | |
|-----------|-----------|----------------|-------|---------|
| 1,685,195 | 9/1928 | Gilbert | . | |
| 1,909,850 | 5/1933 | Younie | . | |
| 2,118,872 | 5/1938 | Weimer | . | |
| 2,227,674 | 1/1941 | Ratkowski | | 37/454 |
| 3,091,044 | 5/1963 | Penote et al. | . | |
| 3,117,386 | 1/1964 | Ferwerda | | 37/454 |
| 3,297,365 | 1/1967 | Proctor | . | |
| 3,425,117 | * 2/1969 | Hill | | 228/170 |
| 3,444,633 | * 5/1969 | Hensley | | 37/452 |
| 3,623,247 | * 11/1971 | Stepe | . | |
| 4,317,300 | 3/1982 | Emrich et al. | . | |
| 4,481,728 | 11/1984 | Mulder et al. | | 37/452 |
| 4,611,418 | 9/1986 | Lauder | . | |
| 4,711,503 | 12/1987 | Burchem et al. | . | |
| 4,949,481 | * 8/1990 | Fellner | | 37/452 |
| 4,965,945 | 10/1990 | Emrich | . | |
| 5,016,365 | 5/1991 | Robinson | . | |

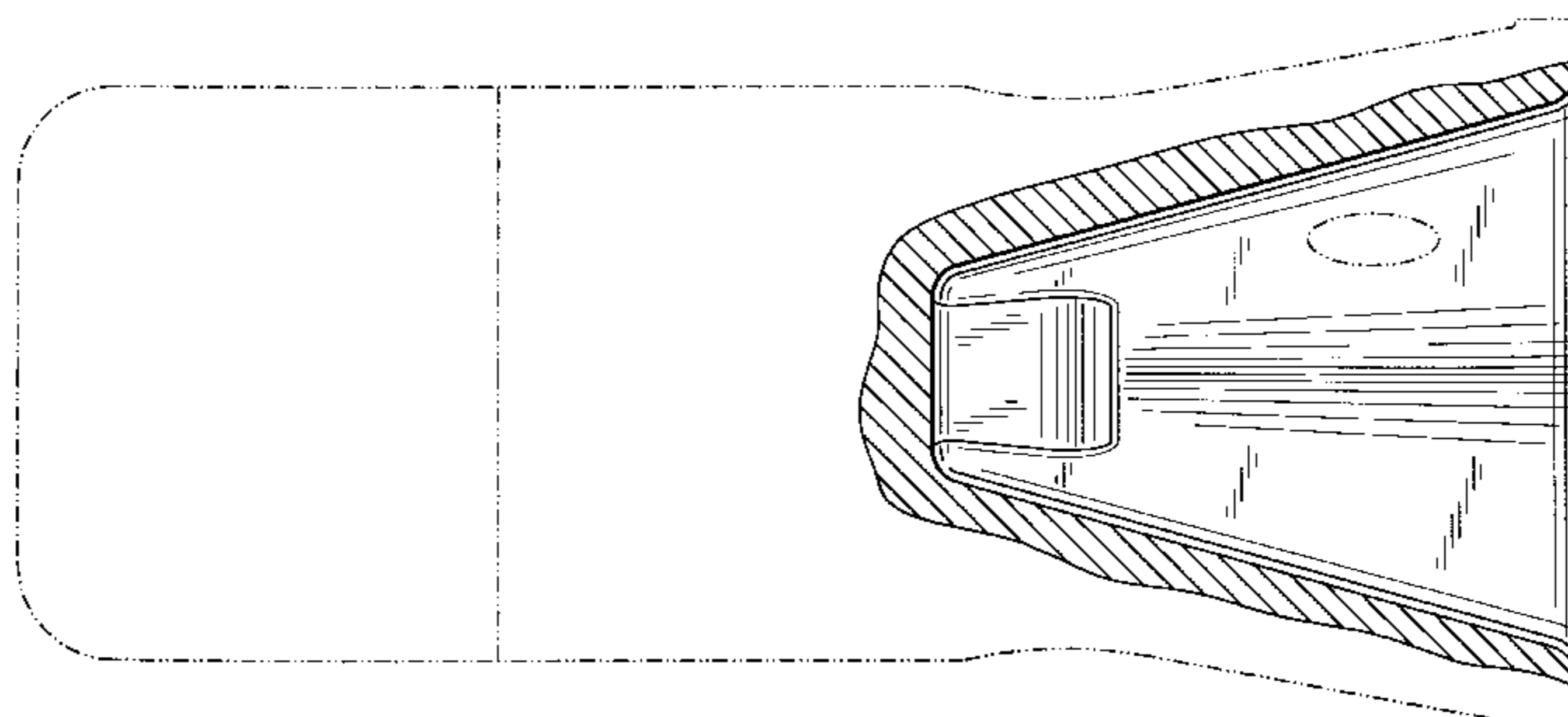
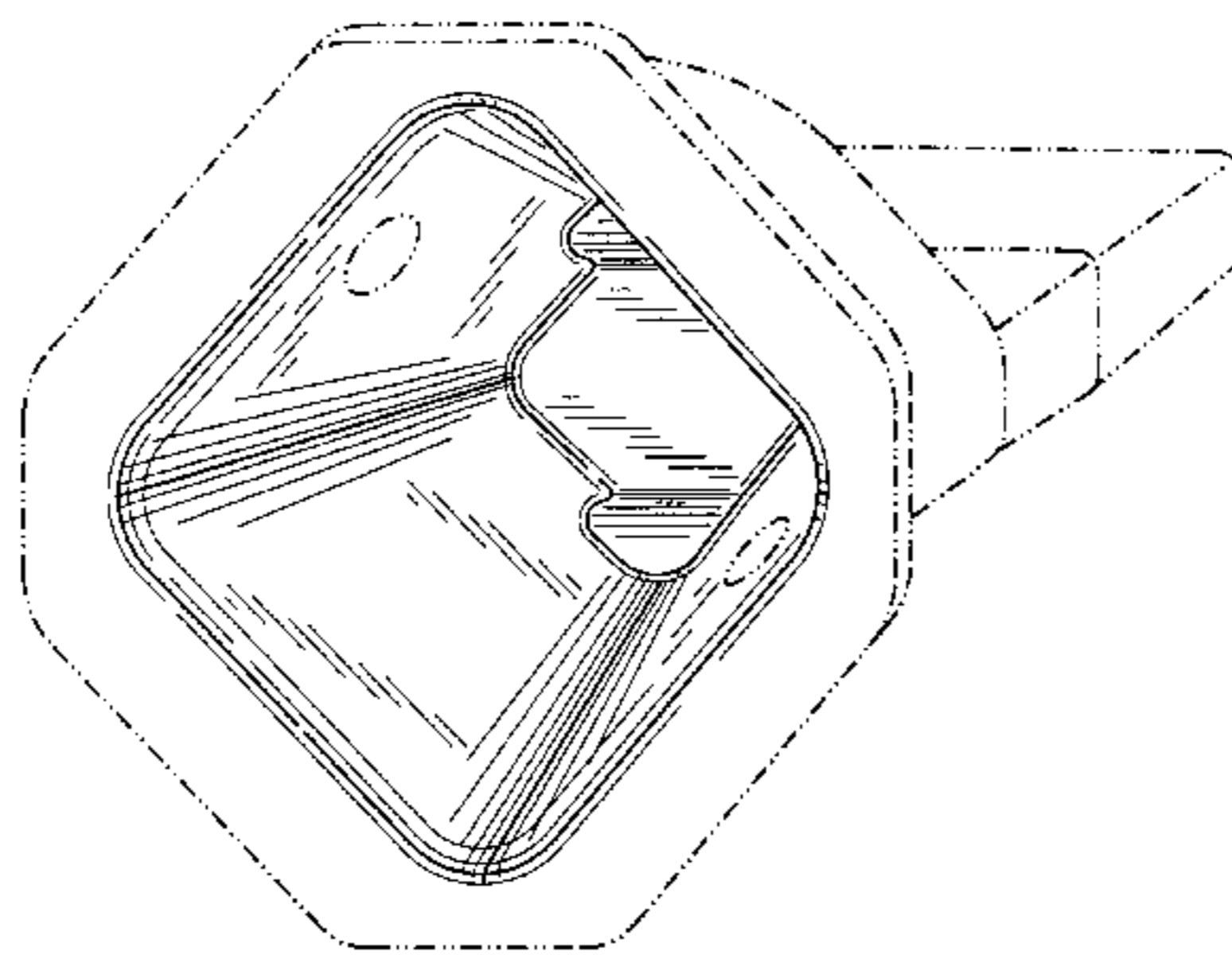
(57) **CLAIM**

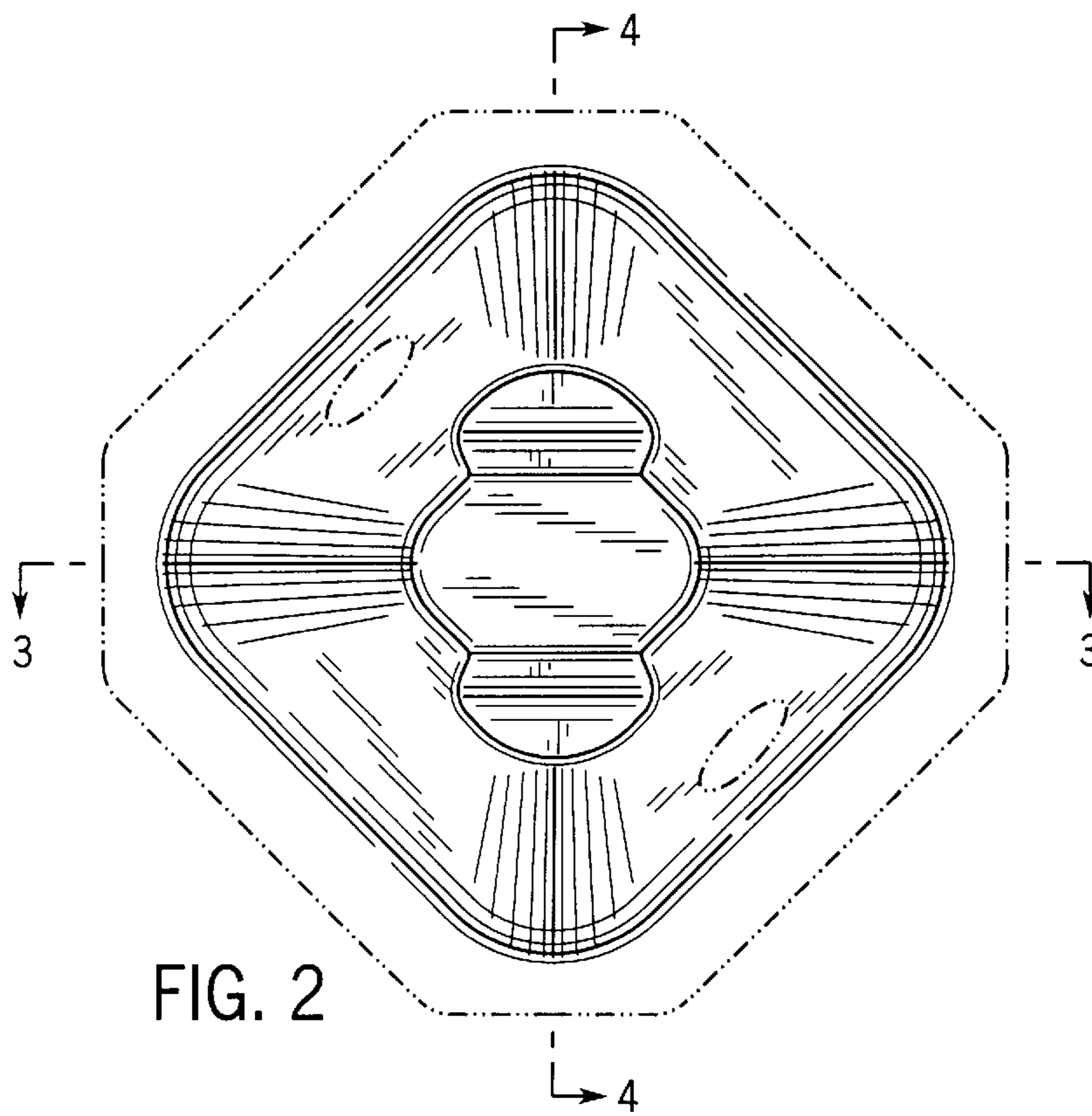
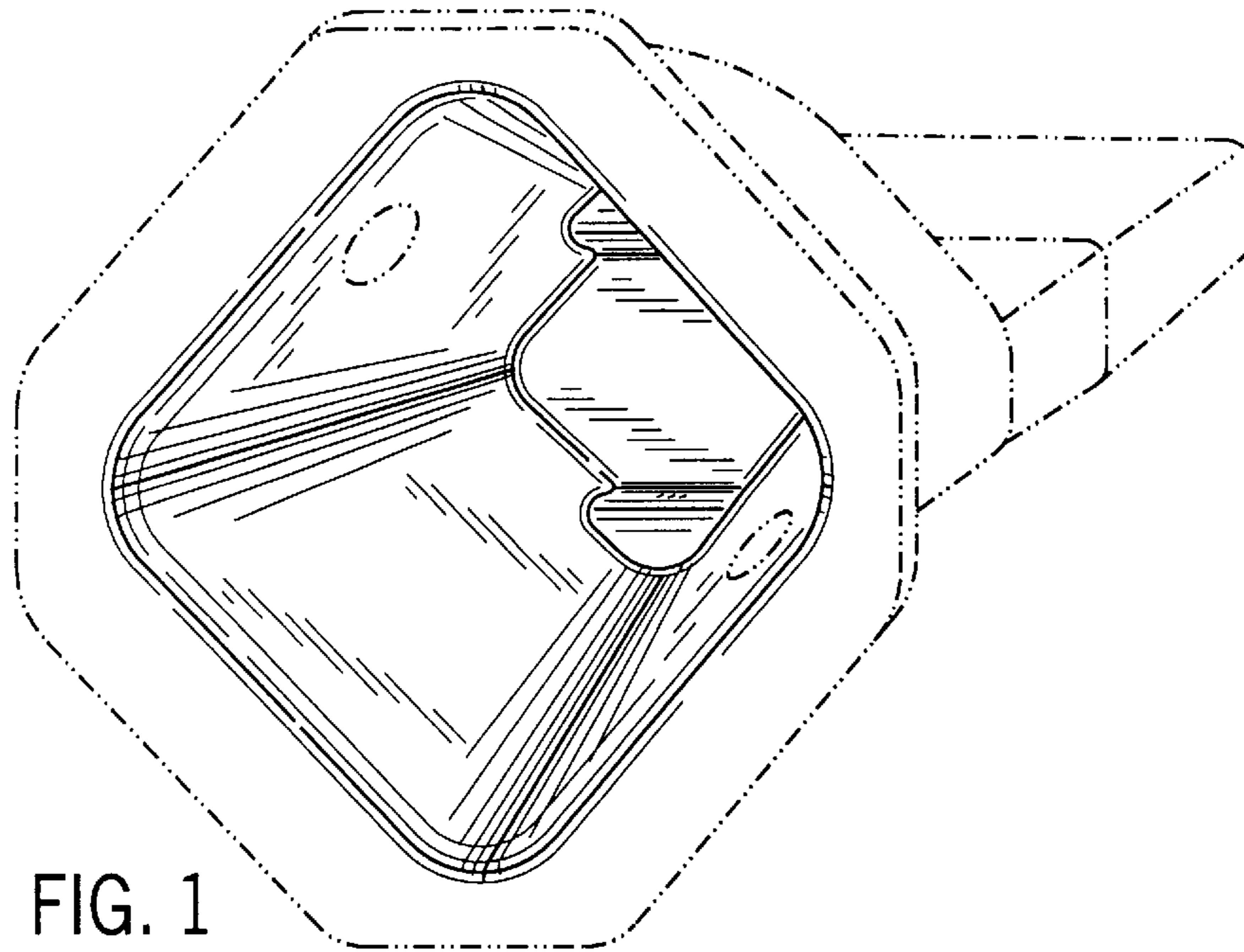
The ornamental design for a digging tooth, as shown and described.

DESCRIPTION

FIG. 1 is a rear, right side perspective view of a digging tooth showing my new design;
FIG. 2 is a rear elevational view thereof;
FIG. 3 is a sectional view taken along line 3—3 of FIG. 2; and,
FIG. 4 is a sectional view taken along line 4—4 of FIG. 2. The phantom lines shown in the drawings forming no part of the present invention.

1 Claim, 3 Drawing Sheets





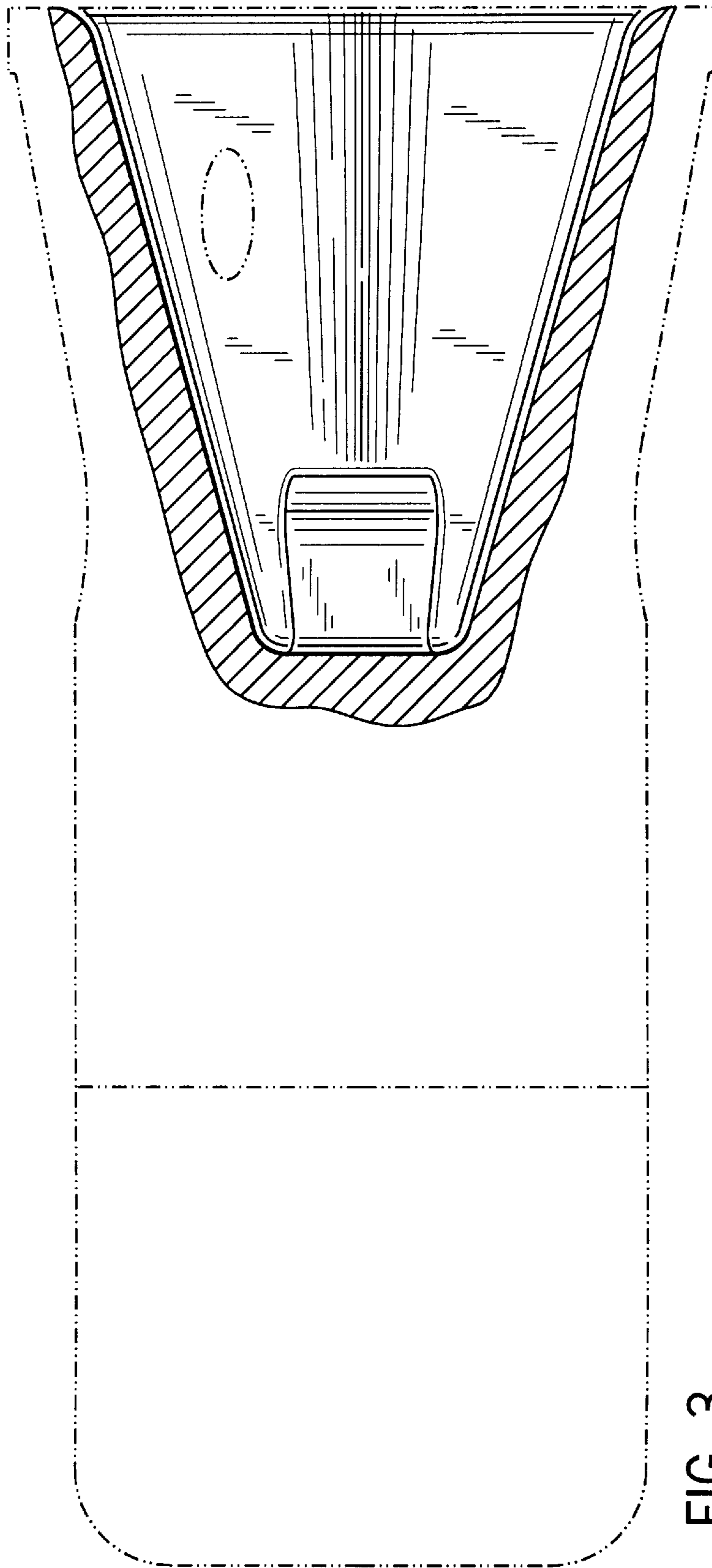


FIG. 3

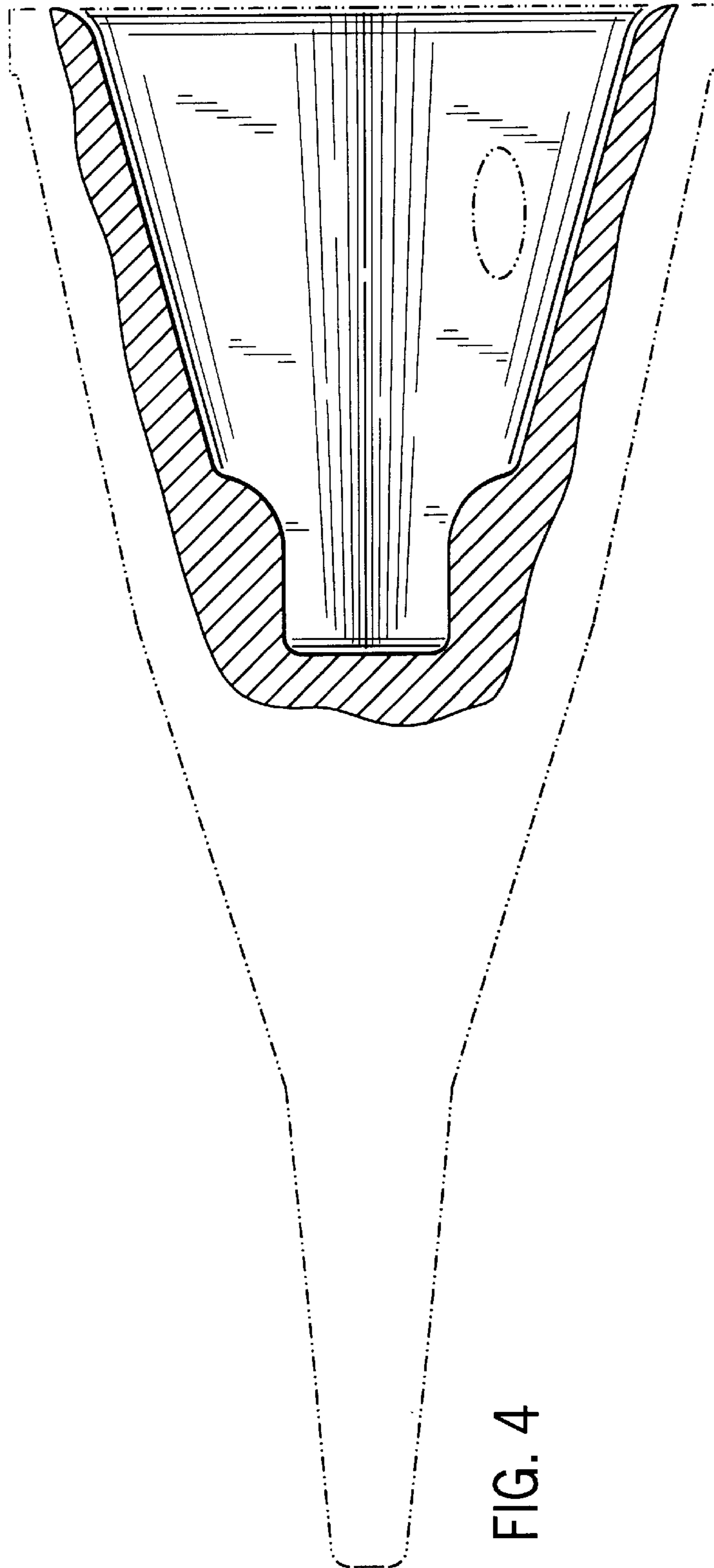


FIG. 4