



US00D436111S

(12) **United States Design Patent**
Hahn et al.

(10) **Patent No.:** **US D436,111 S**
(45) **Date of Patent:** **** Jan. 9, 2001**

(54) **FILAMENT CARTRIDGE**

(75) Inventors: **Andrew M. Hahn**, Anaheim; **Daniel I. Kimm**, Leucadia, both of CA (US)

(73) Assignee: **Stratasys, Inc.**, Eden Prairie, MN (US)

(**) Term: **14 Years**

(21) Appl. No.: **29/120,905**

(22) Filed: **Mar. 28, 2000**

(51) **LOC (7) Cl.** **14-99**

(52) **U.S. Cl.** **D14/475**

(58) **Field of Search** D14/474-480;
242/335, 348, 341, 370; 360/132, 133,
134, 135, 900

(56) **References Cited**

U.S. PATENT DOCUMENTS

- D. 263,222 * 3/1982 Driscoll D14/479
- D. 282,357 * 1/1986 Gell D14/475
- D. 284,654 * 7/1986 Sandell et al. D14/481

- D. 312,823 * 12/1990 LaCourt et al. D14/476
- D. 352,305 * 11/1994 Cooper D14/475 X
- 3,008,661 * 11/1961 Estes et al. D14/481 X
- 4,054,344 * 10/1977 Fujimoto et al. 206/387
- 4,674,000 * 6/1987 Lee 360/132

* cited by examiner

Primary Examiner—Prabhakar Deshmukh

(74) *Attorney, Agent, or Firm*—Kinney & Lange, PA

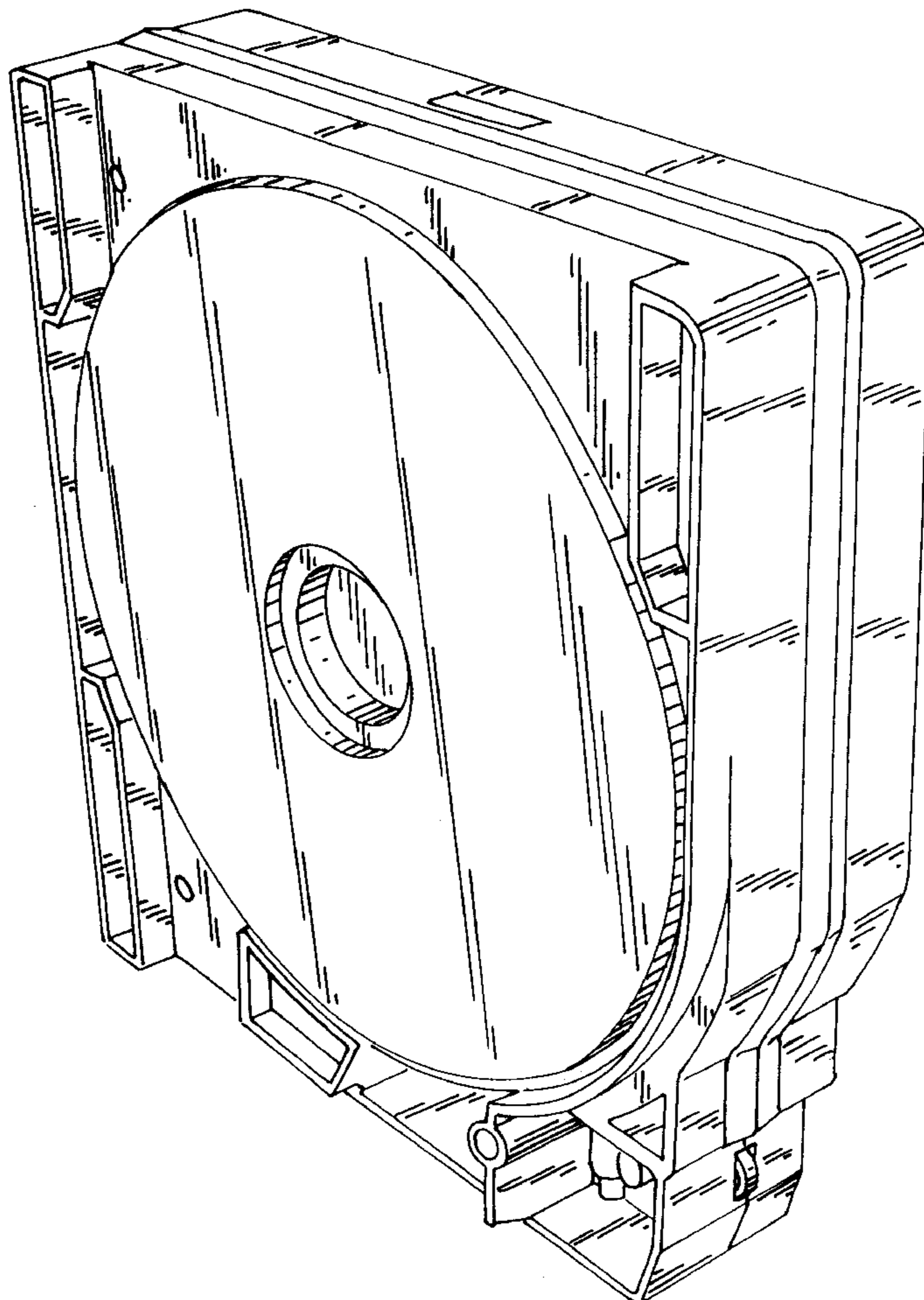
(57) **CLAIM**

The ornamental design for a filament cartridge, as shown.

DESCRIPTION

FIG. 1 is a perspective view;
FIG. 2 is a rear elevational view;
FIG. 3 is a front elevational view;
FIG. 4 is a left side view;
FIG. 5 is a right side view;
FIG. 6 is a top plan view; and,
FIG. 7 is a bottom plan view.

1 Claim, 5 Drawing Sheets



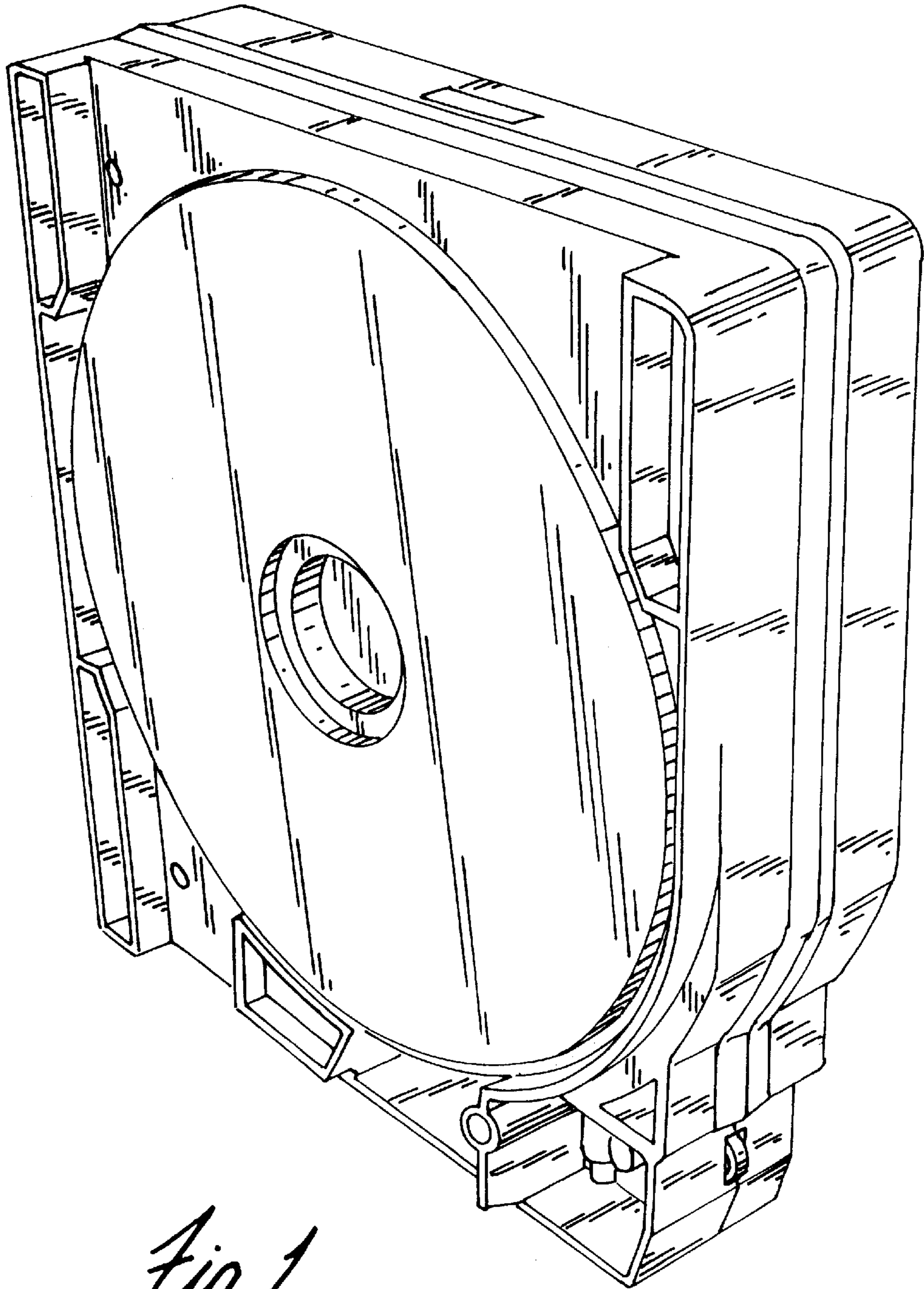


Fig. 1

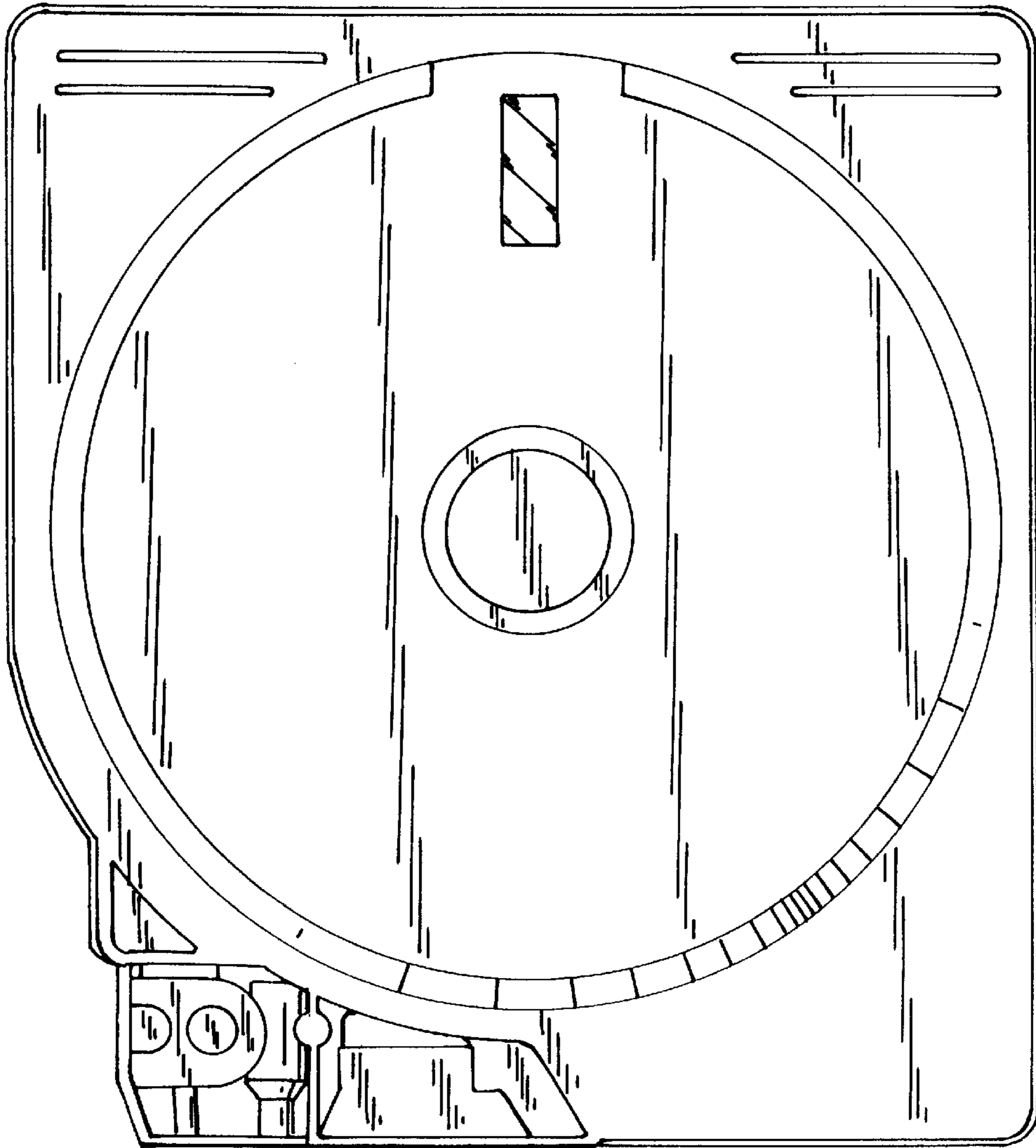


Fig. 2

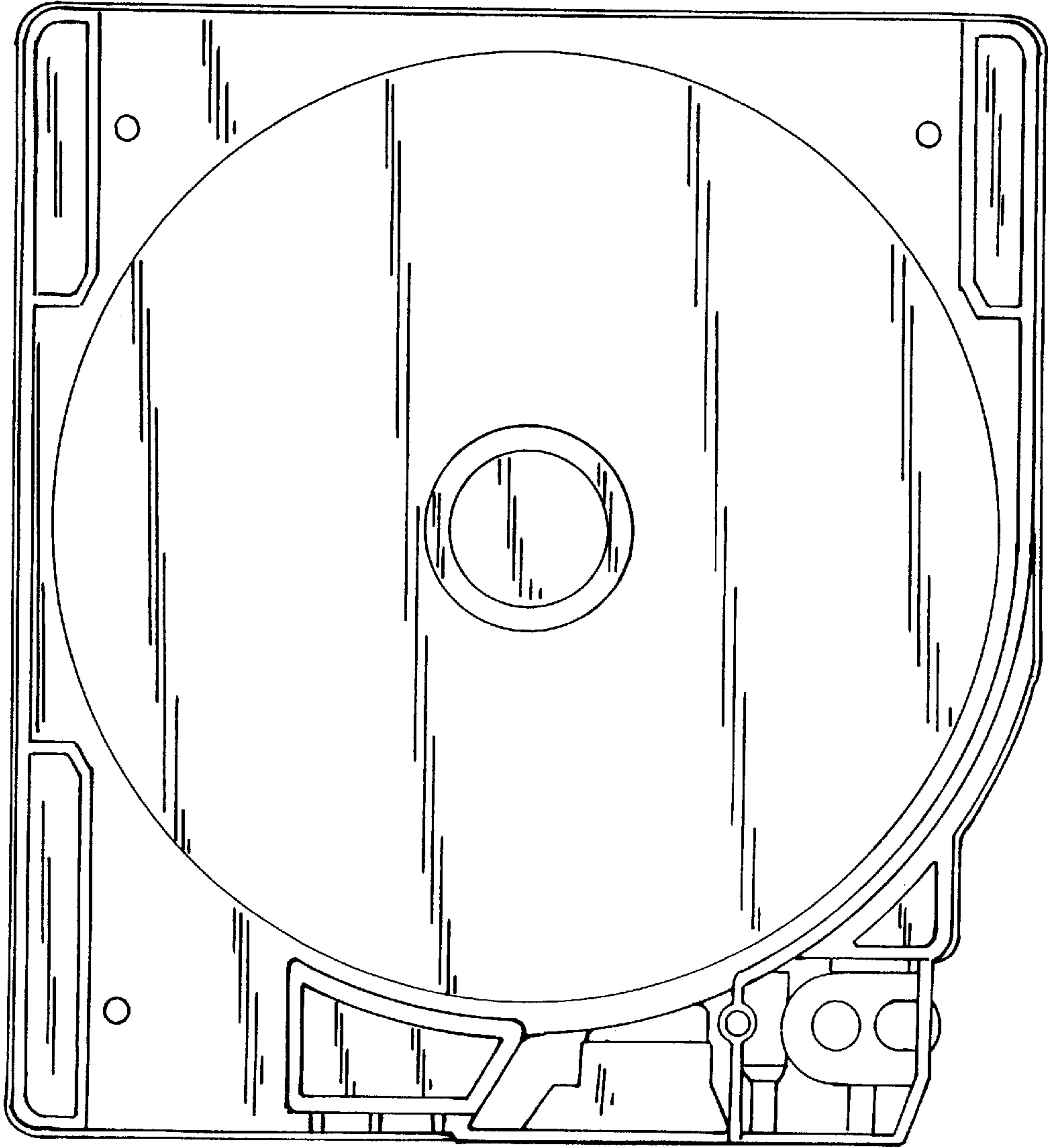


Fig. 3

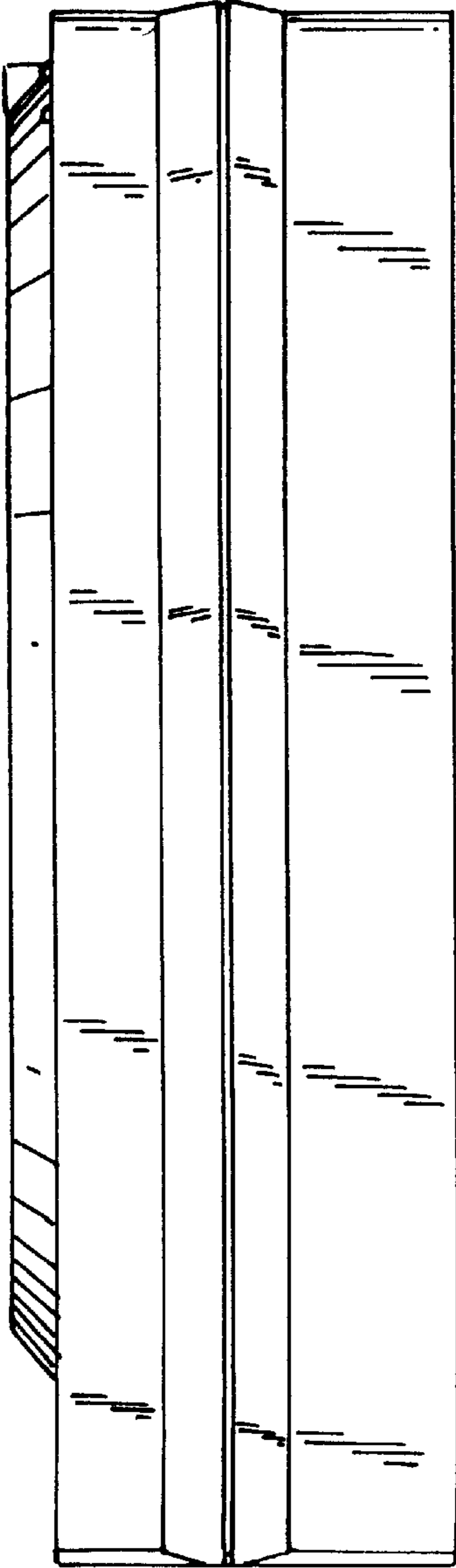


Fig. 4

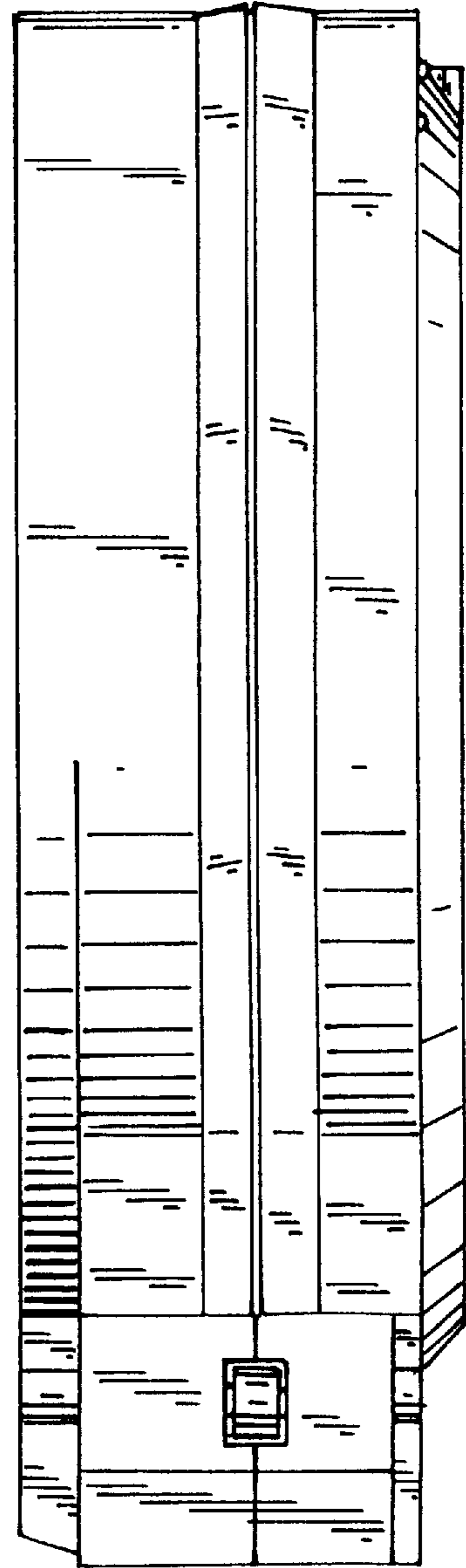


Fig. 5

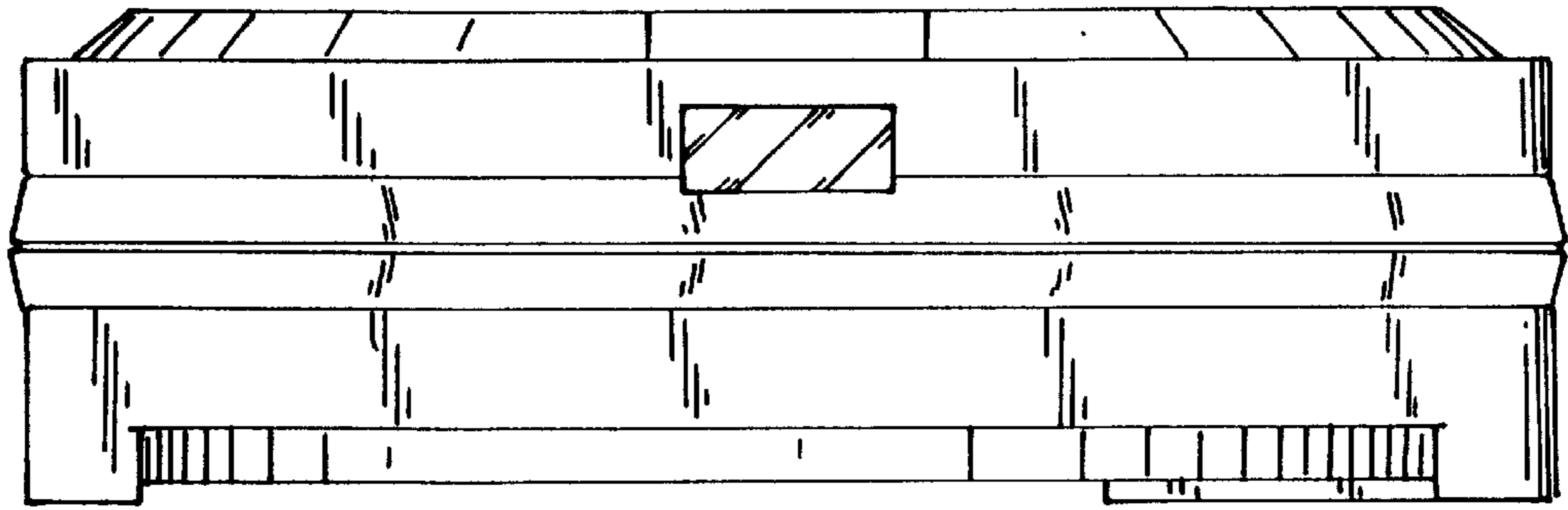


Fig. 6

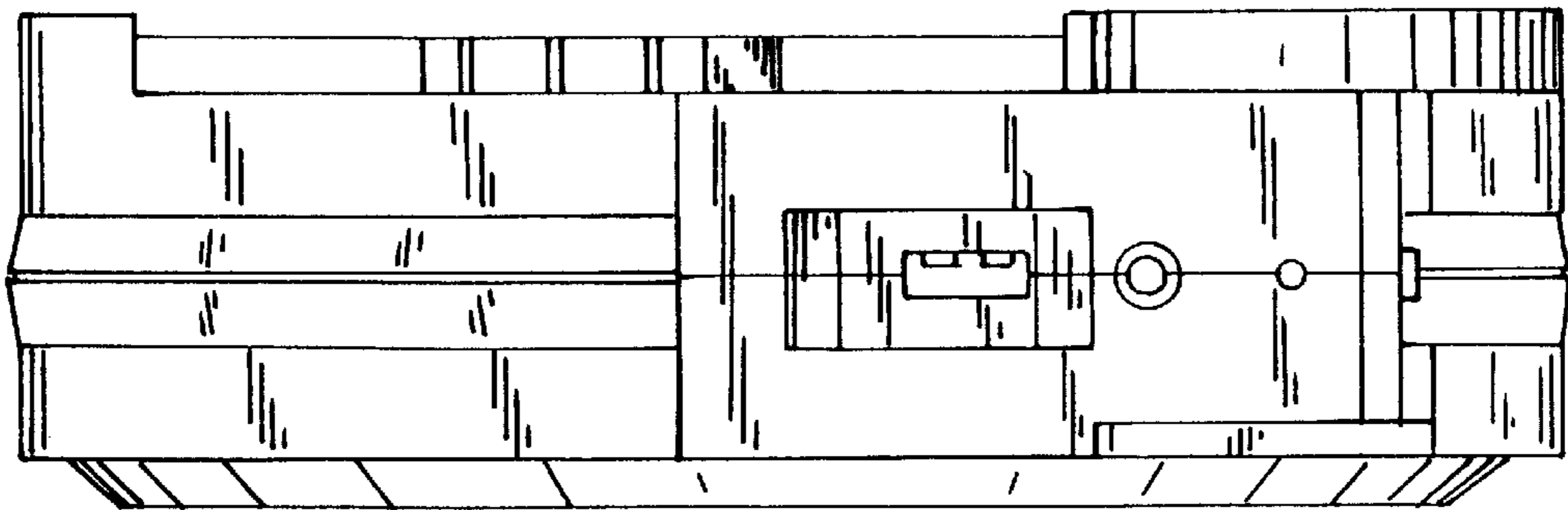


Fig. 7