



US00D436109S

(12) **United States Design Patent**  
**Tong et al.**

(10) **Patent No.:** **US D436,109 S**

(45) **Date of Patent:** **\*\* Jan. 9, 2001**

(54) **UNIVERSAL SERIAL BUS MODULE**

(75) Inventors: **Eric Tong; Brian Lee Van Harlingen,**  
both of Los Angeles, CA (US)

(73) Assignee: **Belkin Components, Compton, CA**  
(US)

(\*\*) Term: **14 Years**

(21) Appl. No.: **29/108,751**

(22) Filed: **Aug. 3, 1999**

(51) **LOC (7) Cl.** ..... **14-02**

(52) **U.S. Cl.** ..... **D14/434**

(58) **Field of Search** ..... D14/356, 358,  
D14/432, 433, 434, 191, 155; 361/679-87,  
600, 622, 627-36, 724-25

(56) **References Cited**

**U.S. PATENT DOCUMENTS**

- D. 301,713 \* 6/1989 Bolan et al. .
- D. 355,416 \* 2/1995 McCay et al. .
- D. 362,663 \* 9/1995 Nguyen .
- D. 393,451 \* 4/1998 Faranda et al. .
- D. 411,989 \* 7/1999 Grossman et al. .

D. 412,494 \* 8/1999 Tamaki et al. .

D. 415,741 \* 10/1999 Lee et al. .

D. 416,559 \* 11/1999 Hoyt et al. .

D. 423,010 \* 4/2000 Wicks .

5,875,094 \* 2/1999 Kirkendoll .

6,047,572 \* 4/2000 Bliven et al. .

6,050,849 \* 4/2000 Chang .

\* cited by examiner

*Primary Examiner*—M. H. Tung

(74) *Attorney, Agent, or Firm*—Bryan Cave LLP

(57) **CLAIM**

The ornamental design for a universal serial bus module, as shown and described.

**DESCRIPTION**

FIG. 1 is a top plan view of a universal serial bus module; FIG. 2 is a front view thereof;

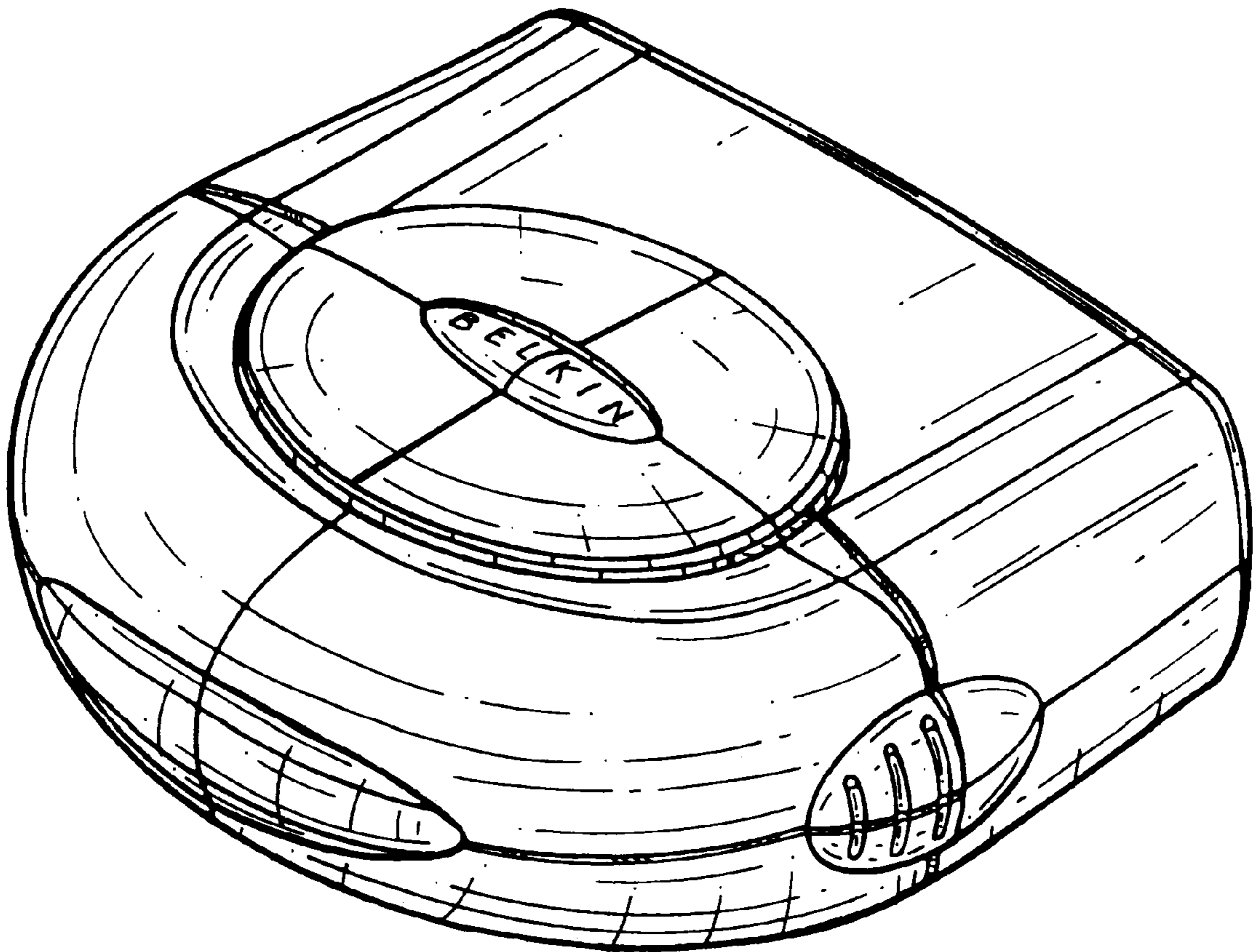
FIG. 3 is a left side view thereof, the right side is a mirror image;

FIG. 4 is a rear view thereof;

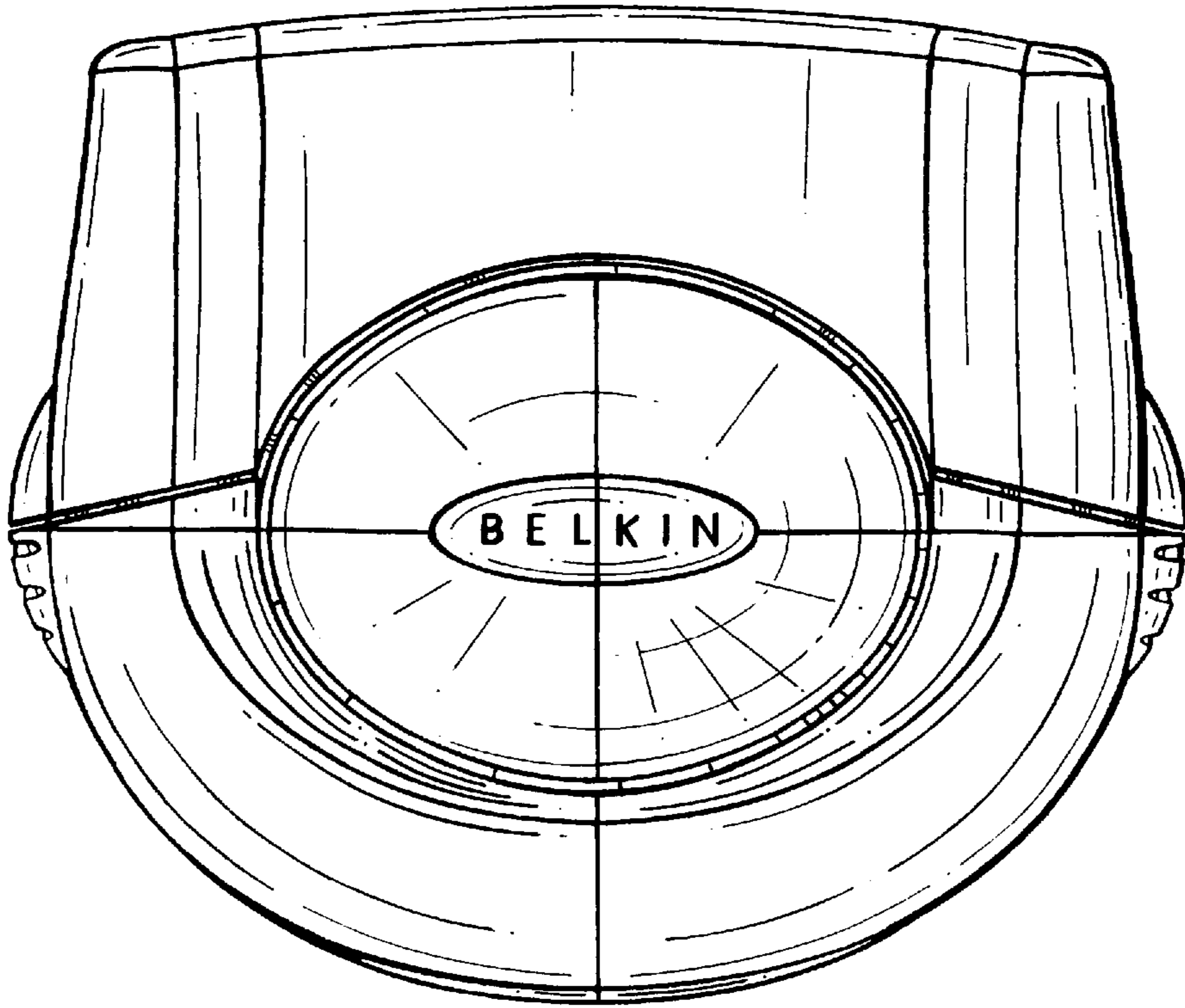
FIG. 5 is a bottom plan view thereof; and,

FIG. 6 is a top perspective view thereof.

**1 Claim, 3 Drawing Sheets**



*FIG. 1*



*FIG. 2*

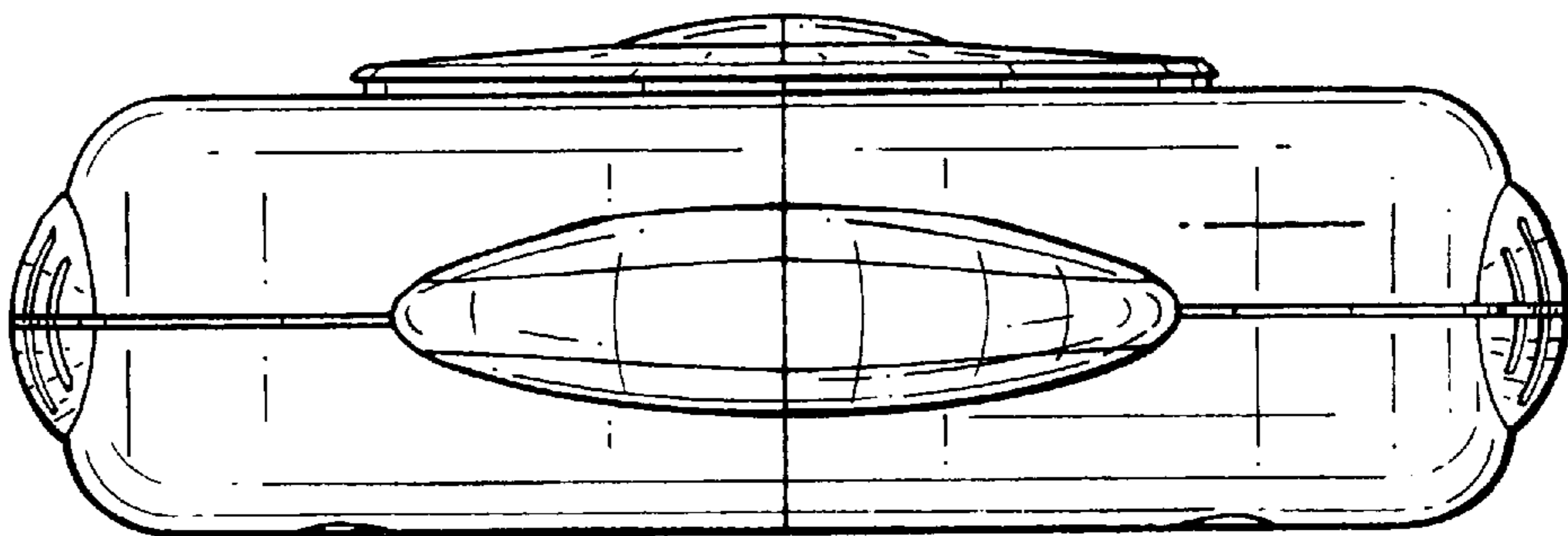


FIG. 3

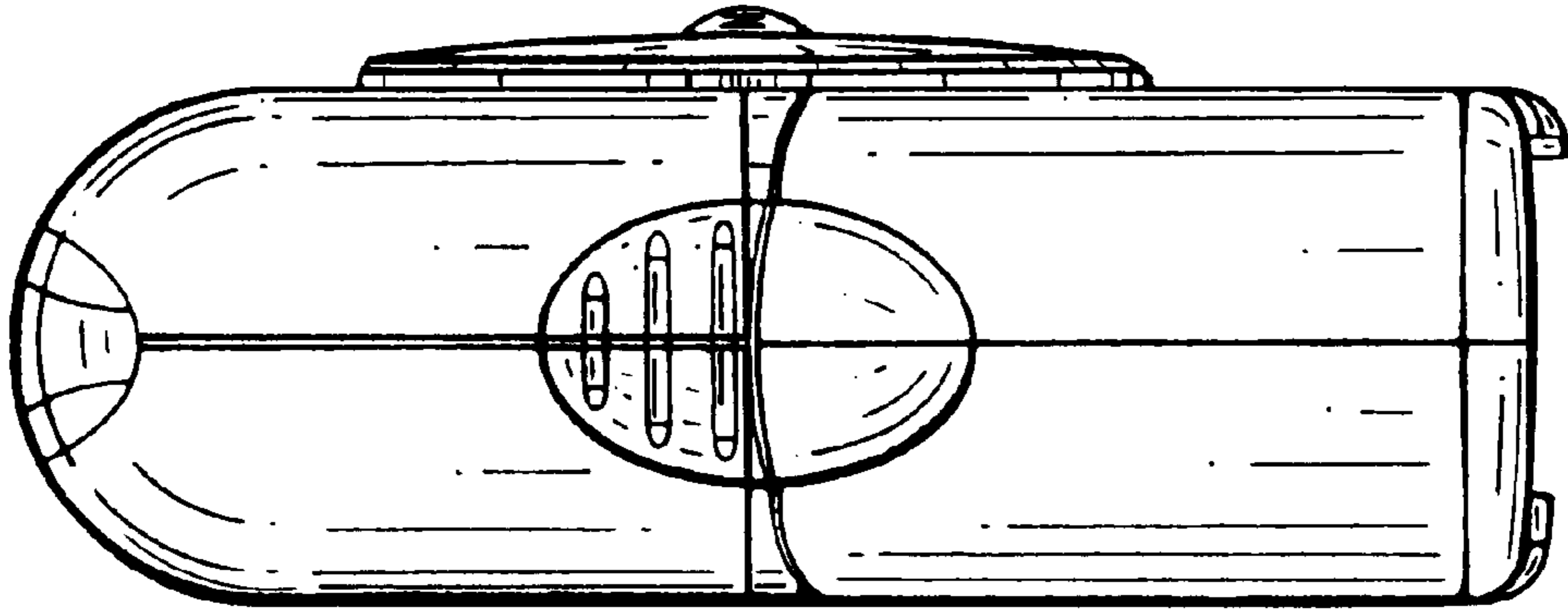
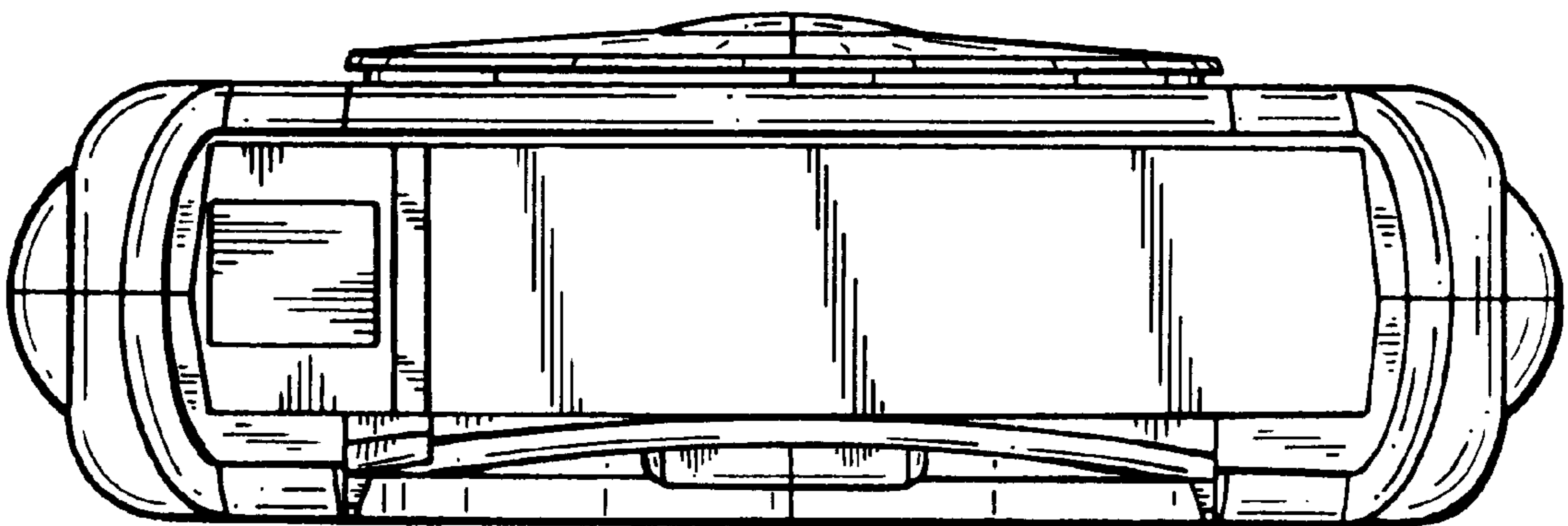


FIG. 4



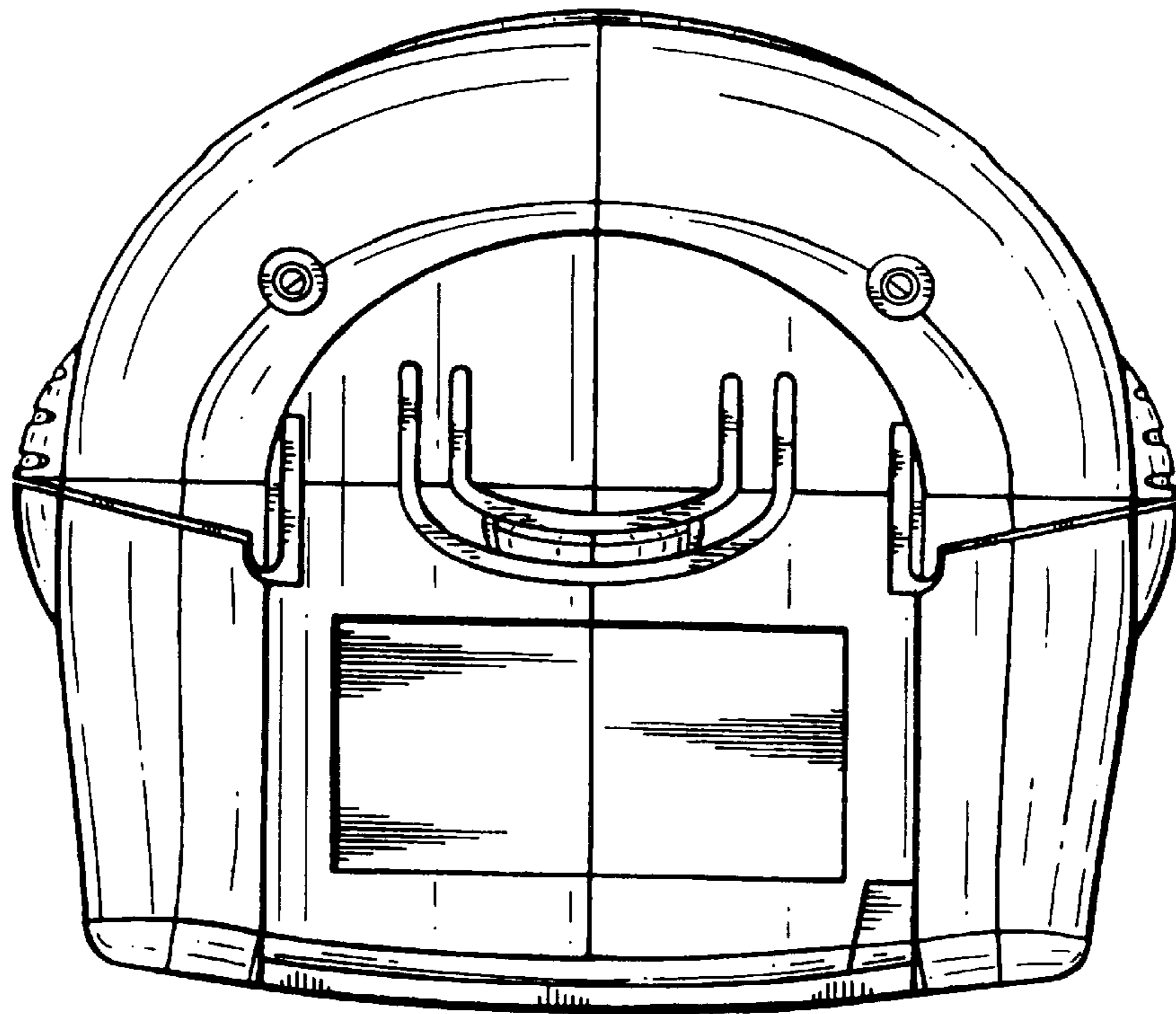


FIG. 5

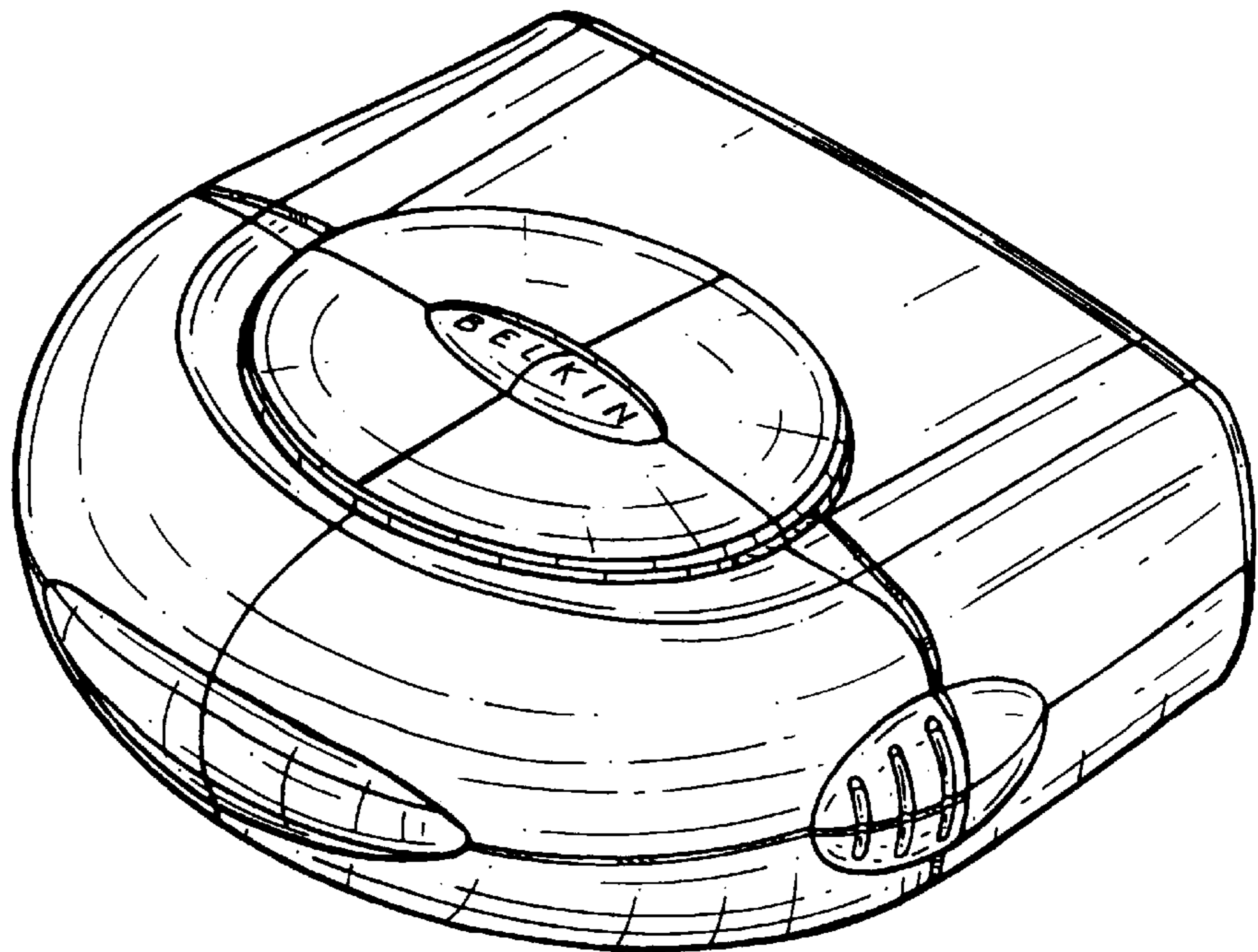


FIG. 6