



US00D436108S

(12) **United States Design Patent**
Lee

(10) **Patent No.:** **US D436,108 S**

(45) **Date of Patent:** **** Jan. 9, 2001**

- (54) **GUN FOR ELECTRONIC GAME**
- (75) Inventor: **Man-Tat Lee, Kowloon (CN)**
- (73) Assignee: **Storm Electronics Company Limited, Kowloon (CN)**
- (**) Term: **14 Years**
- (21) Appl. No.: **29/123,124**
- (22) Filed: **May 11, 2000**
- (51) **LOC (7) Cl.** **14-02**
- (52) **U.S. Cl.** **D14/418; D21/333**
- (58) **Field of Search** **D21/324-333, D21/573, 575; 273/148 B, 440, 459, 460, 461; 463/1, 7, 30-35, 46, 47, 50, 51, 52, 49; D14/418, 496**

- D. 386,543 * 11/1997 Chikui et al. D14/418
- 3,655,192 * 4/1972 Hall et al. 463/51
- 4,175,747 * 11/1979 Hudson 463/49
- 5,569,085 * 10/1996 Igarashi et al. 463/49
- 5,741,185 * 4/1998 Kwan et al. 463/51
- 5,984,788 * 11/1999 Lebensfeld et al. 463/51

* cited by examiner

Primary Examiner—Prabhakar Deshmukh
(74) *Attorney, Agent, or Firm*—Alix, Yale & Ristas, LLP

(57) **CLAIM**

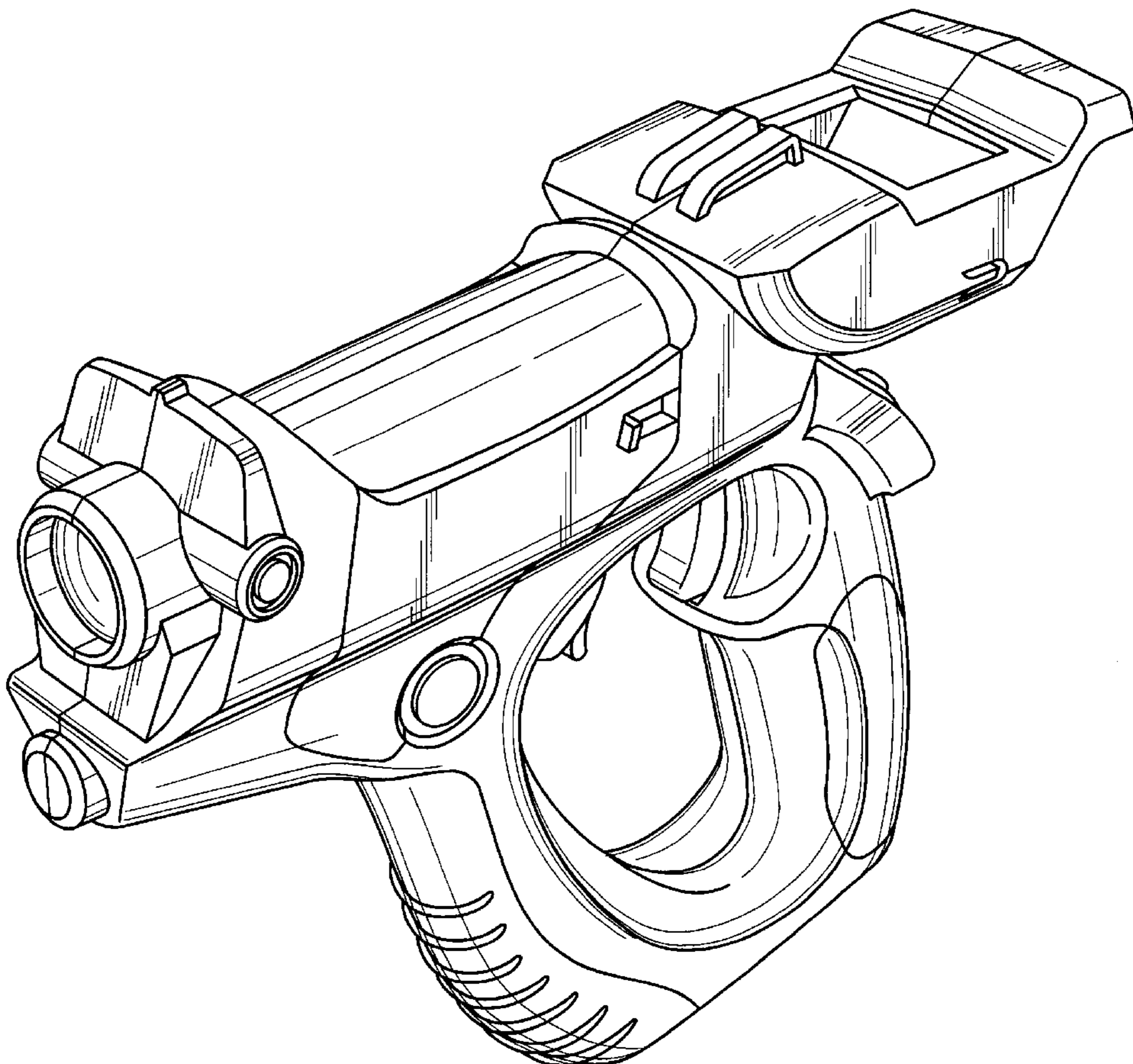
The ornamental design for a gun for electronic game, as shown and described.

DESCRIPTION

FIG. 1 is a perspective view of a gun for electronic game showings my new design;
FIG. 2 is a right side elevational view thereof;
FIG. 3 is a top plan view thereof;
FIG. 4 is a front elevational view thereof;
FIG. 5 is a rear elevational view thereof;
FIG. 6 is a left side elevational view thereof; and,
FIG. 7 is a bottom plan view thereof.

- (56) **References Cited**
- U.S. PATENT DOCUMENTS**
- D. 316,878 * 5/1991 Ishiwata D14/418
- D. 338,690 * 8/1993 Smith, III et al. D14/418
- D. 353,170 * 12/1994 Shirai et al. D14/418
- D. 374,463 * 10/1996 Butler et al. D14/418

1 Claim, 4 Drawing Sheets



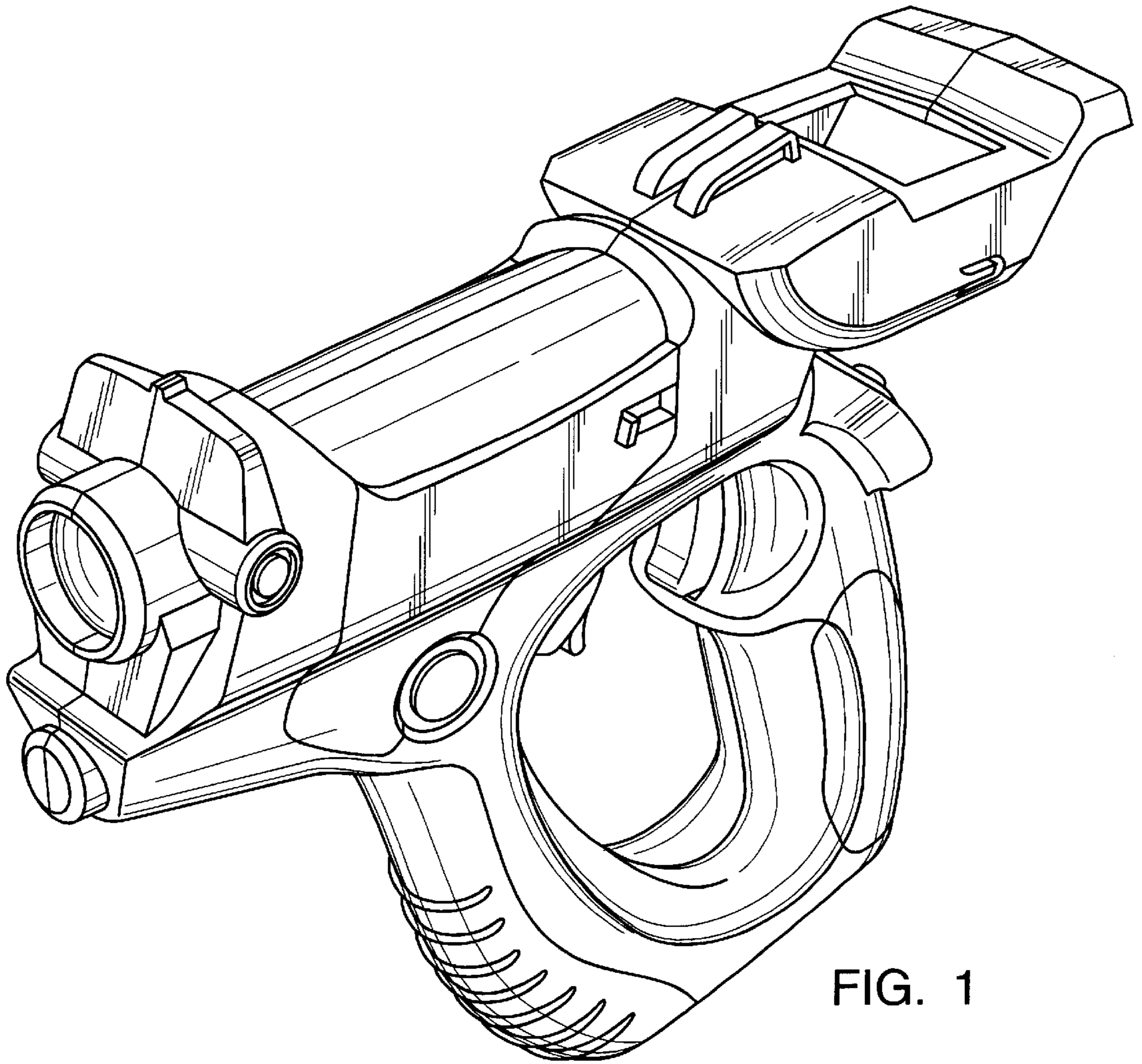


FIG. 1

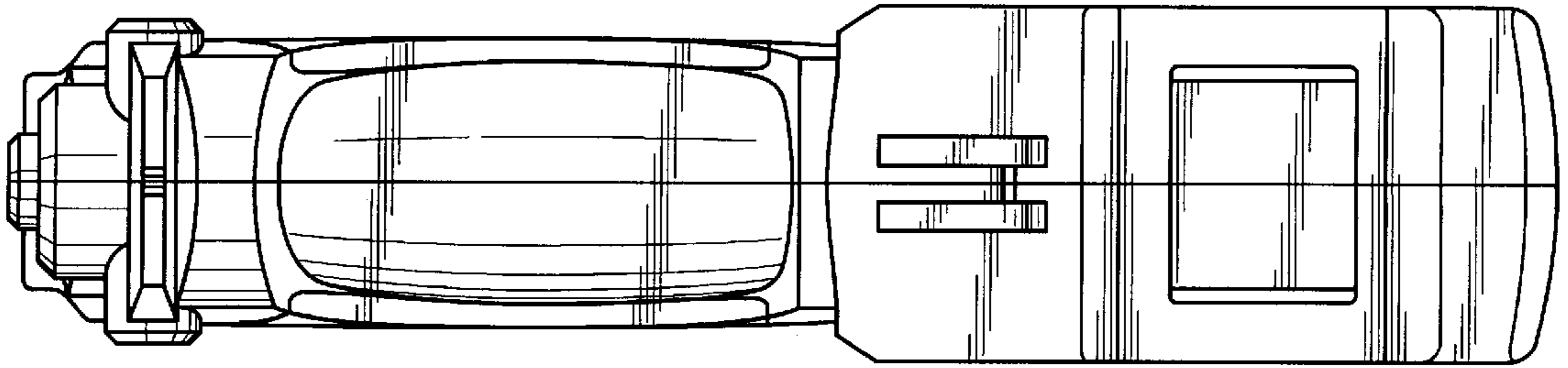


FIG. 3

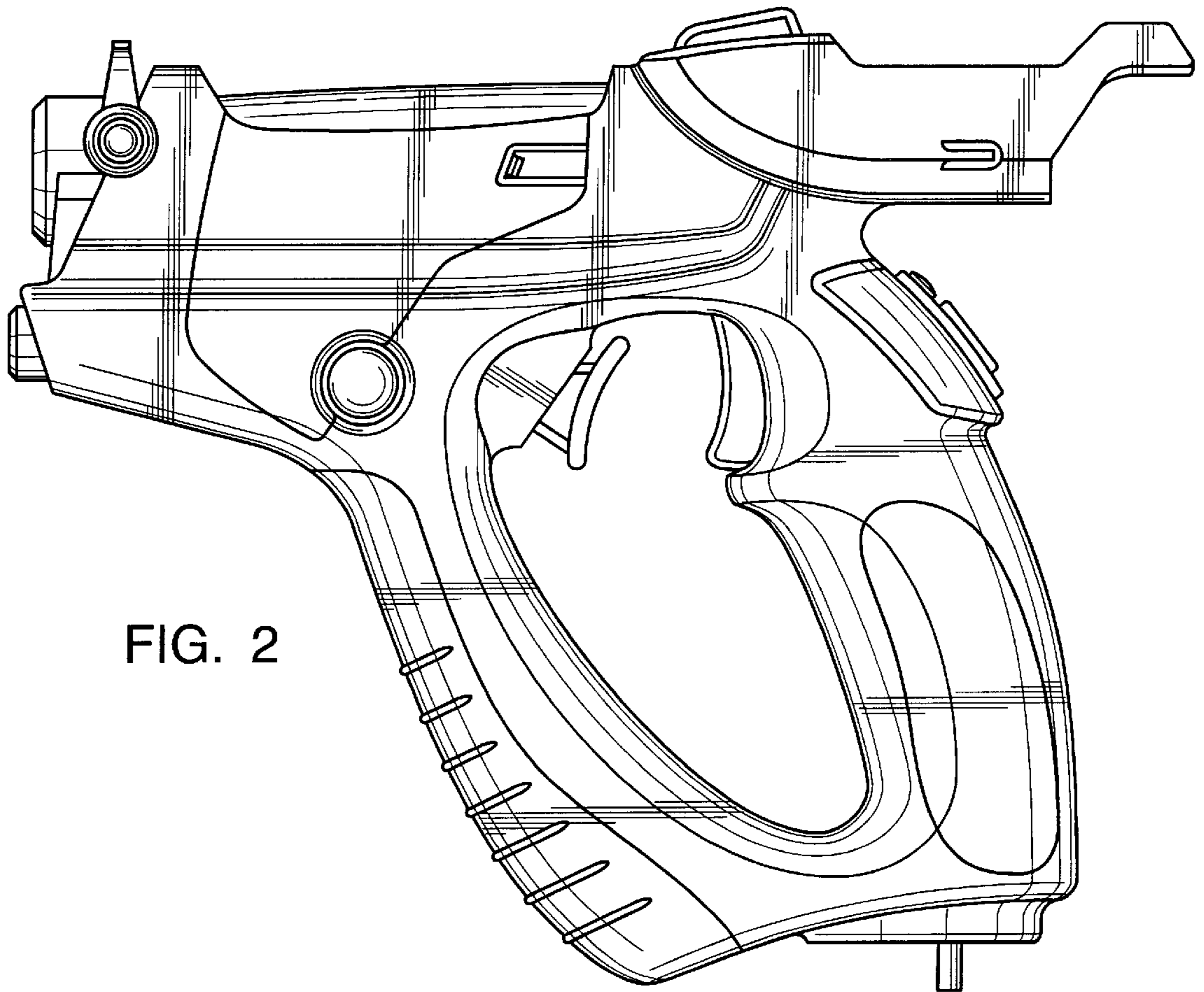


FIG. 2

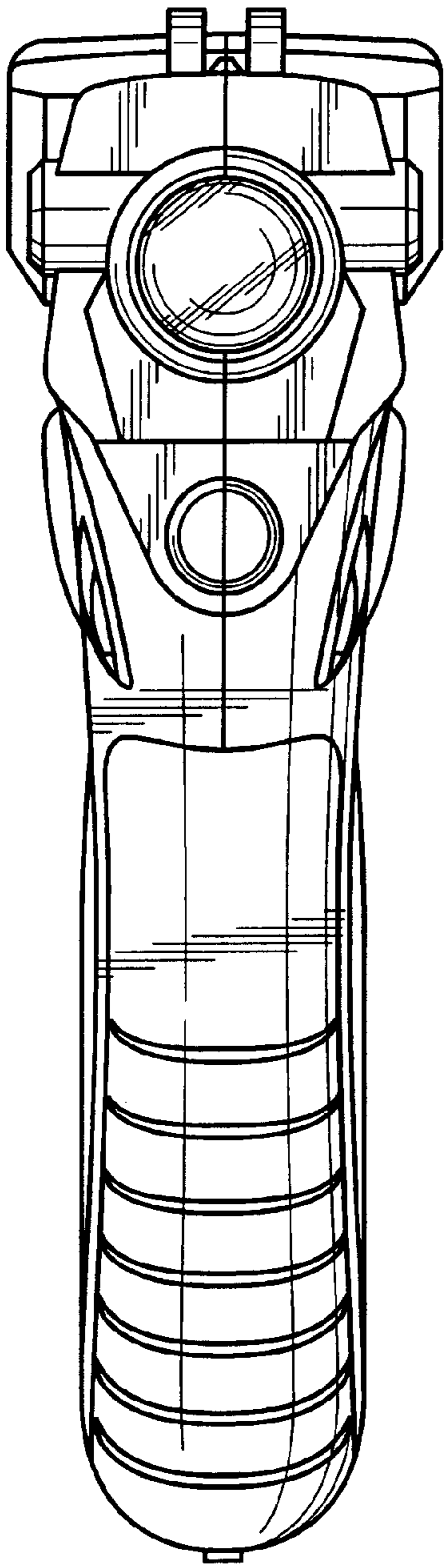


FIG. 4

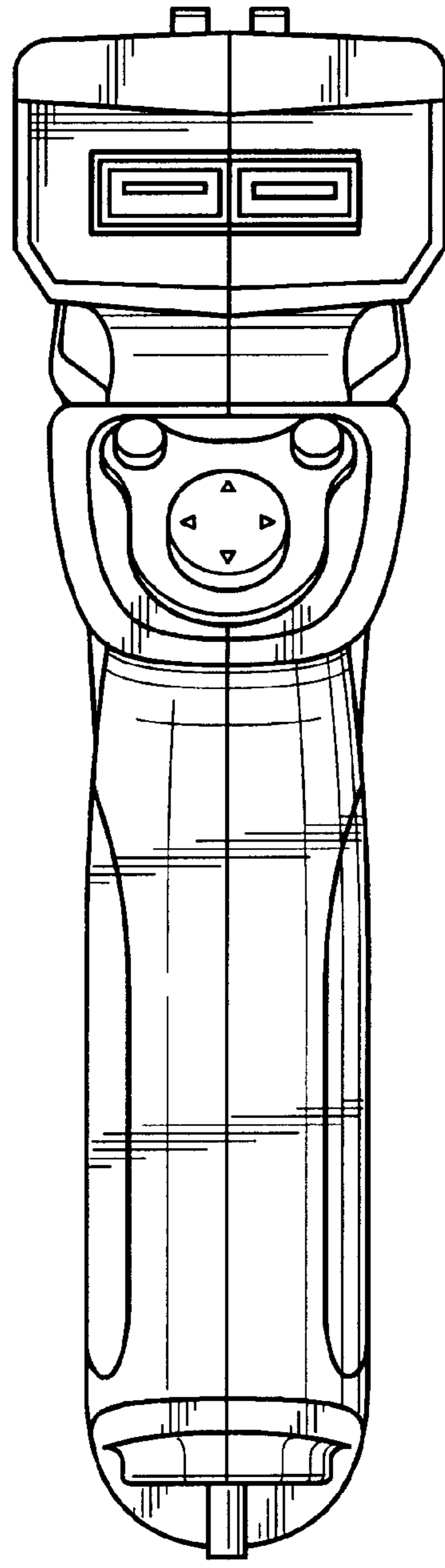


FIG. 5

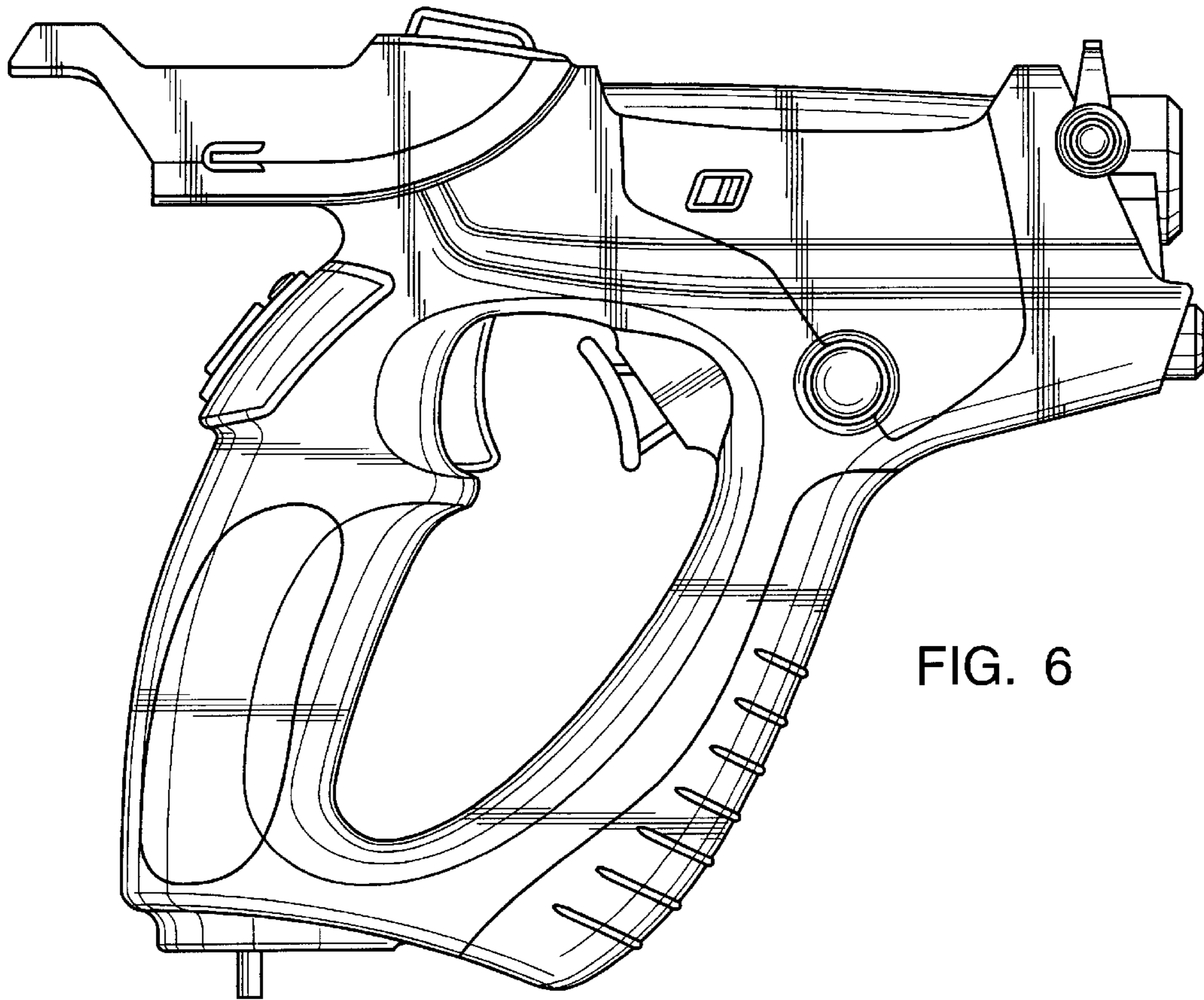


FIG. 6

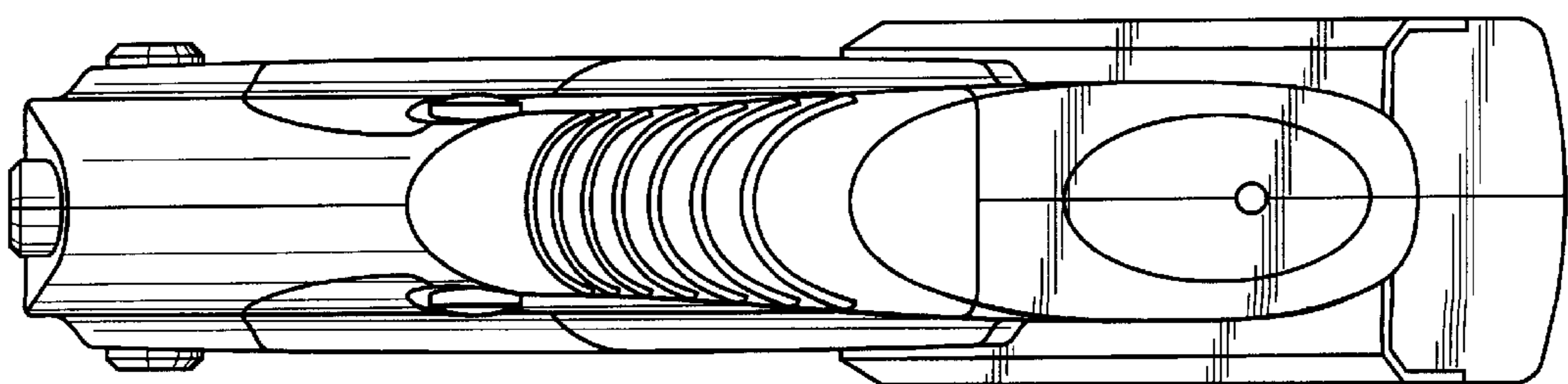


FIG. 7