



US00D436100S

(12) **United States Design Patent**
Taylor et al.

(10) **Patent No.:** **US D436,100 S**
(45) **Date of Patent:** **** Jan. 9, 2001**

(54) **ELECTRONIC SOUND BOOK WITH MICROPHONE**

5,803,748 * 9/1998 Maddrell et al. 434/317

* cited by examiner

(75) Inventors: **Ann Taylor**, Winnetka; **Yan Wu**,
Glenview, both of IL (US)

Primary Examiner—Nanda Bondade
(74) *Attorney, Agent, or Firm*—Lerner, David, Littenberg,
Krumholz & Mentlik, LLP

(73) Assignee: **Publications International, Ltd.**,
Lincolnwood, IL (US)

(57) **CLAIM**

(**) Term: **14 Years**

The ornamental design for an electronic sound book with
microphone, as shown and described.

(21) Appl. No.: **29/107,582**

DESCRIPTION

(22) Filed: **Jul. 8, 1999**

The article in which the design is embodied is an electronic
sound book having a microphone attached thereto.

(51) **LOC (7) Cl.** **14-01**

FIG. 1 is a perspective view of an electronic sound book

(52) **U.S. Cl.** **D14/226**

with microphone showing our new design;

(58) **Field of Search** D14/225-229,
D14/345, 482; D19/26, 34, 59, 60; 181/158,
242; 381/26, 92, 95, 122, 369; 434/339,
317

FIG. 2 is a front elevational view thereof;

FIG. 3 is a bottom plan view thereof;

FIG. 4 is a top plan view thereof;

FIG. 5 is a right side elevational view thereof;

FIG. 6 is a left side elevational view thereof;

FIG. 7 is rear elevational view thereof; and,

FIG. 8 is a another perspective view similar to FIG. 1 but in
which the microphone component is shown stored in the
recessed holding compartment of the book.

(56) **References Cited**

U.S. PATENT DOCUMENTS

- D. 349,285 * 8/1994 Robertus D14/226 X
- D. 352,039 * 11/1994 Yurkonis et al. D14/225
- D. 354,769 * 1/1995 Mehler et al. D19/60
- D. 357,016 * 4/1995 Li et al. D14/228 X
- D. 371,784 * 7/1996 Gertz D14/226 X

The surface(s) or portion(s) of the article not shown in the
drawing or described in the specification form(s) no part of
the claimed design.

1 Claim, 5 Drawing Sheets

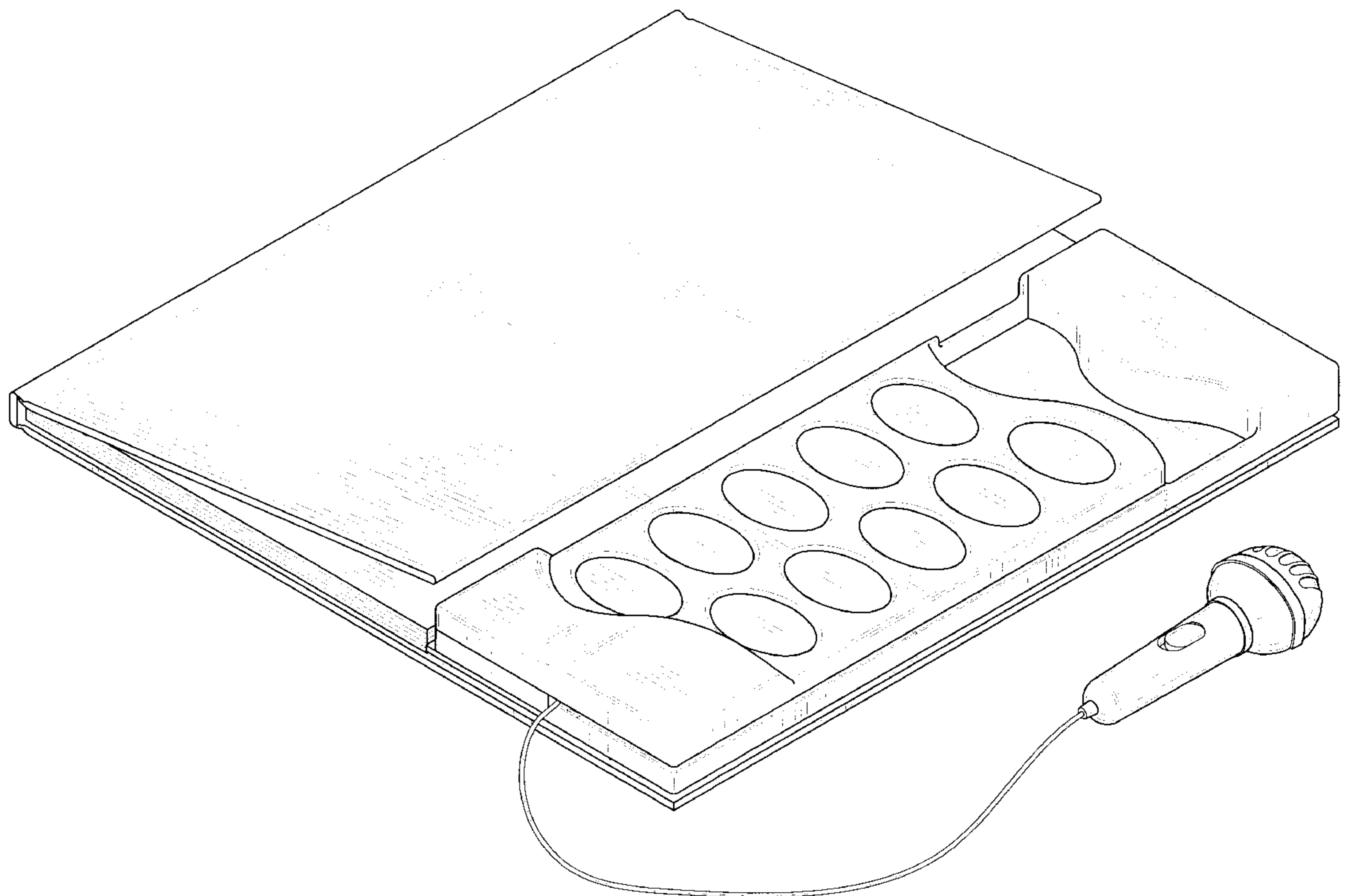


FIG. 1

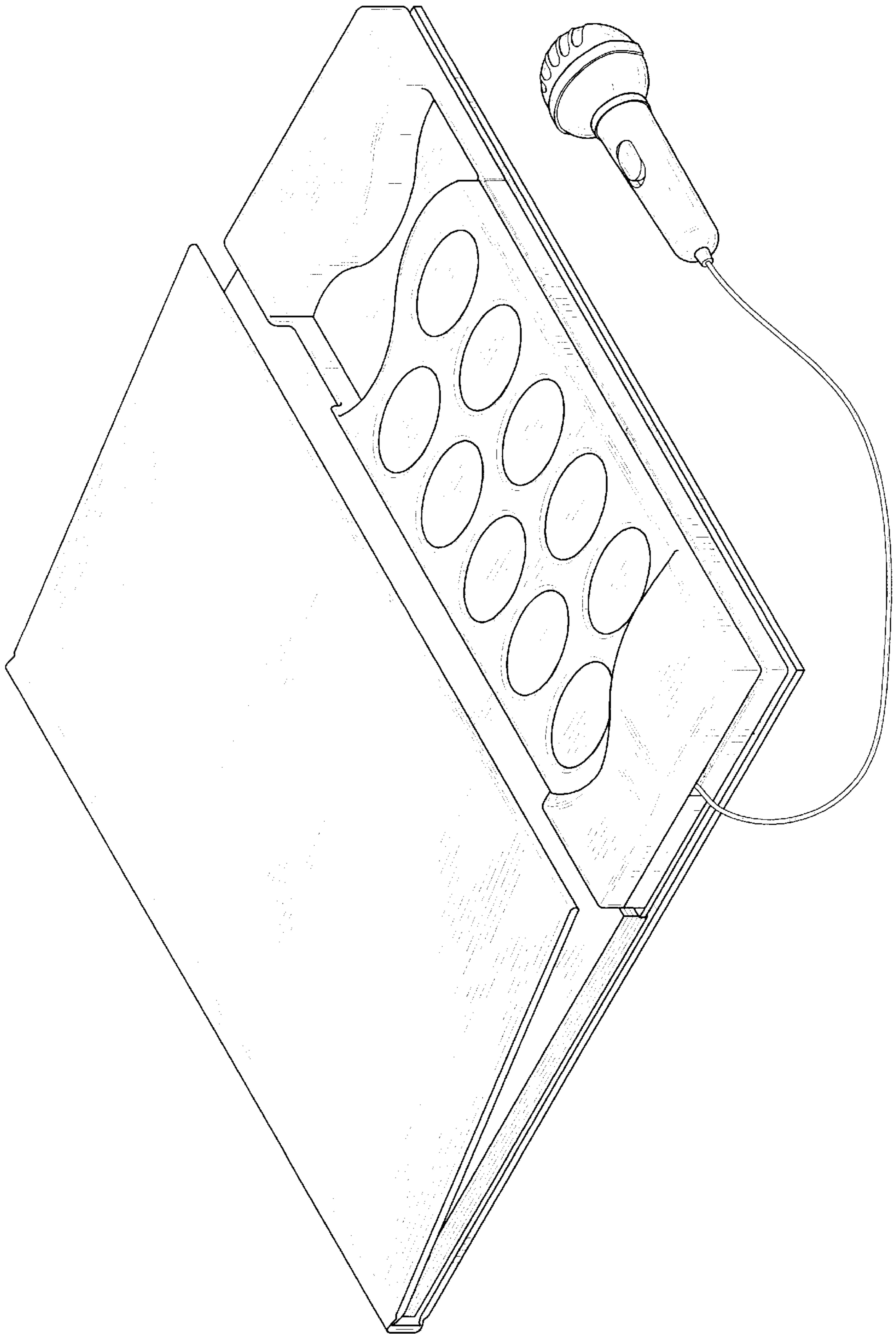


FIG. 2

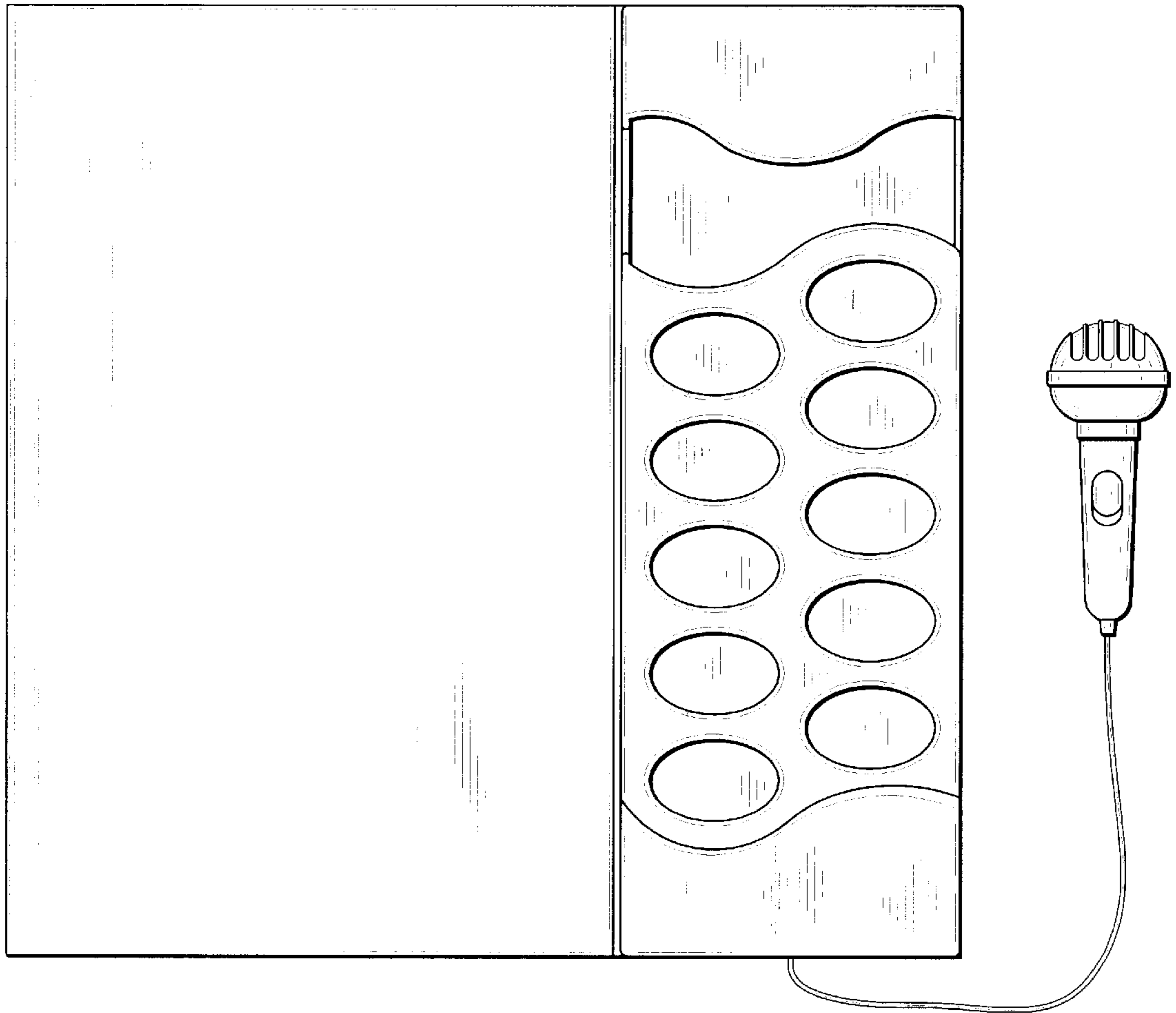


FIG. 3

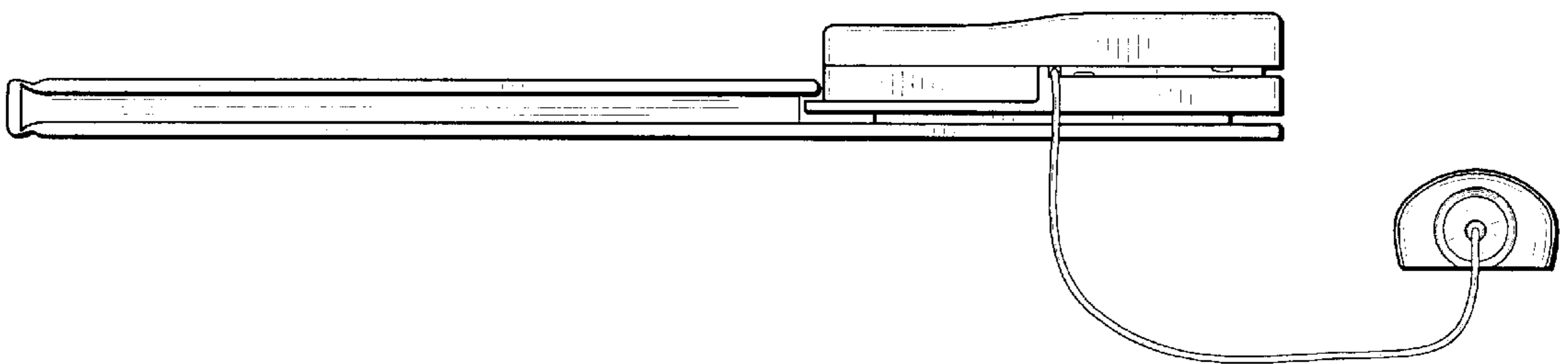


FIG. 4

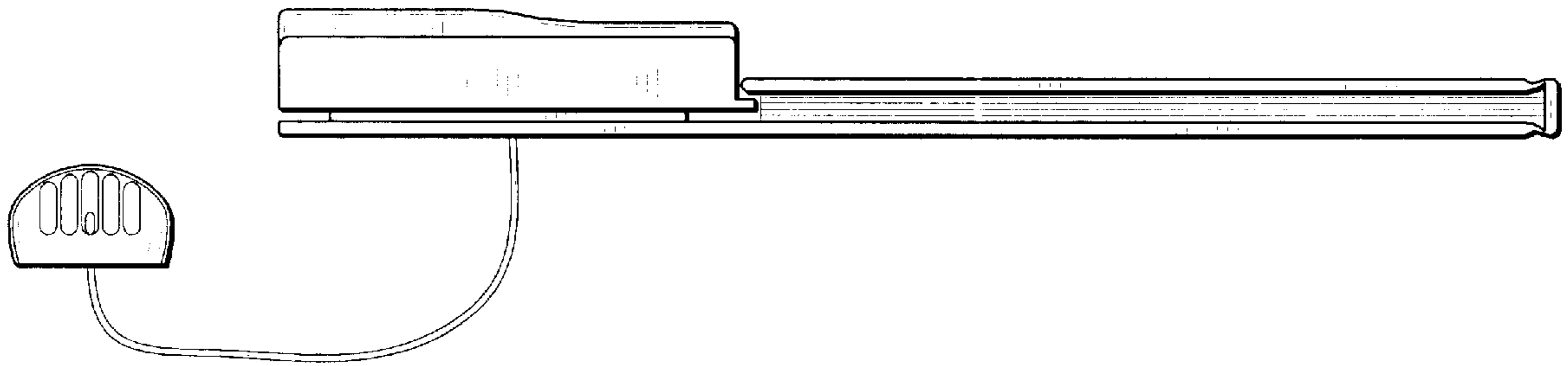


FIG. 5

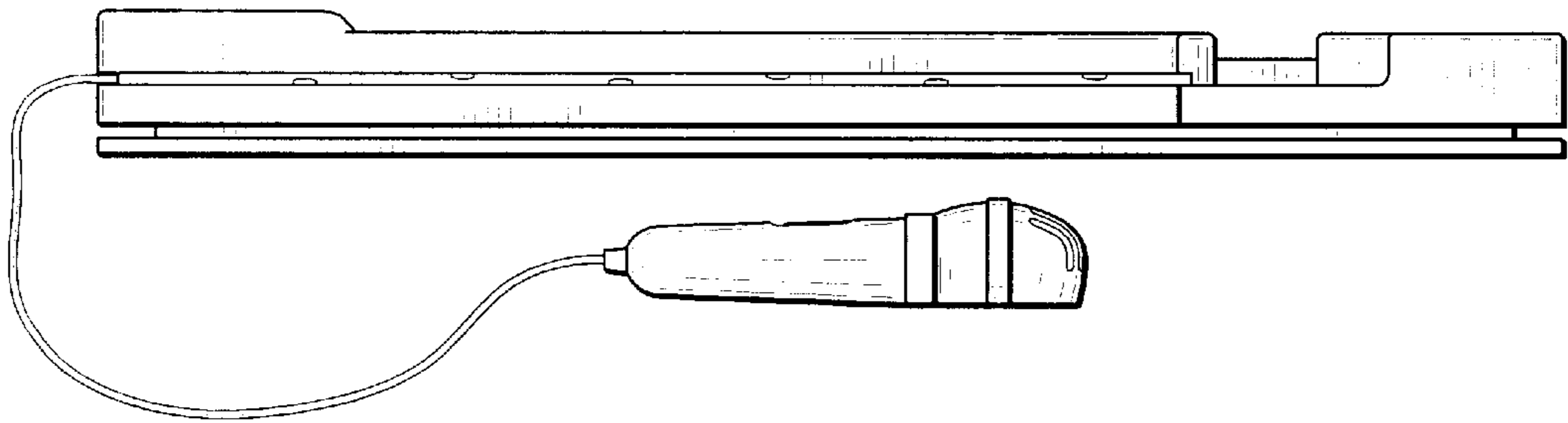


FIG. 6

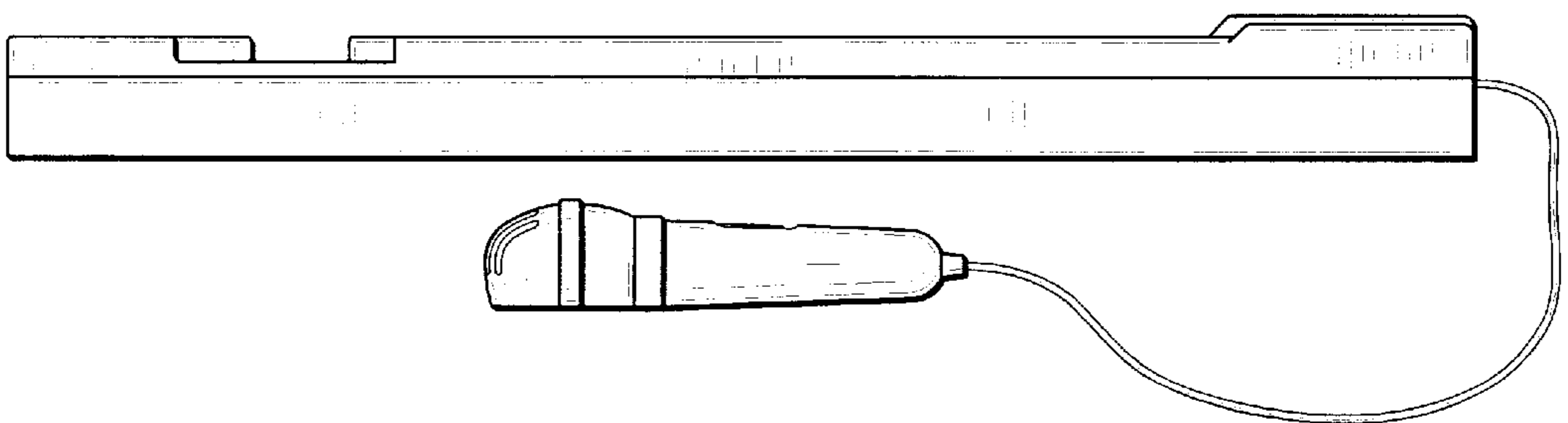


FIG. 7

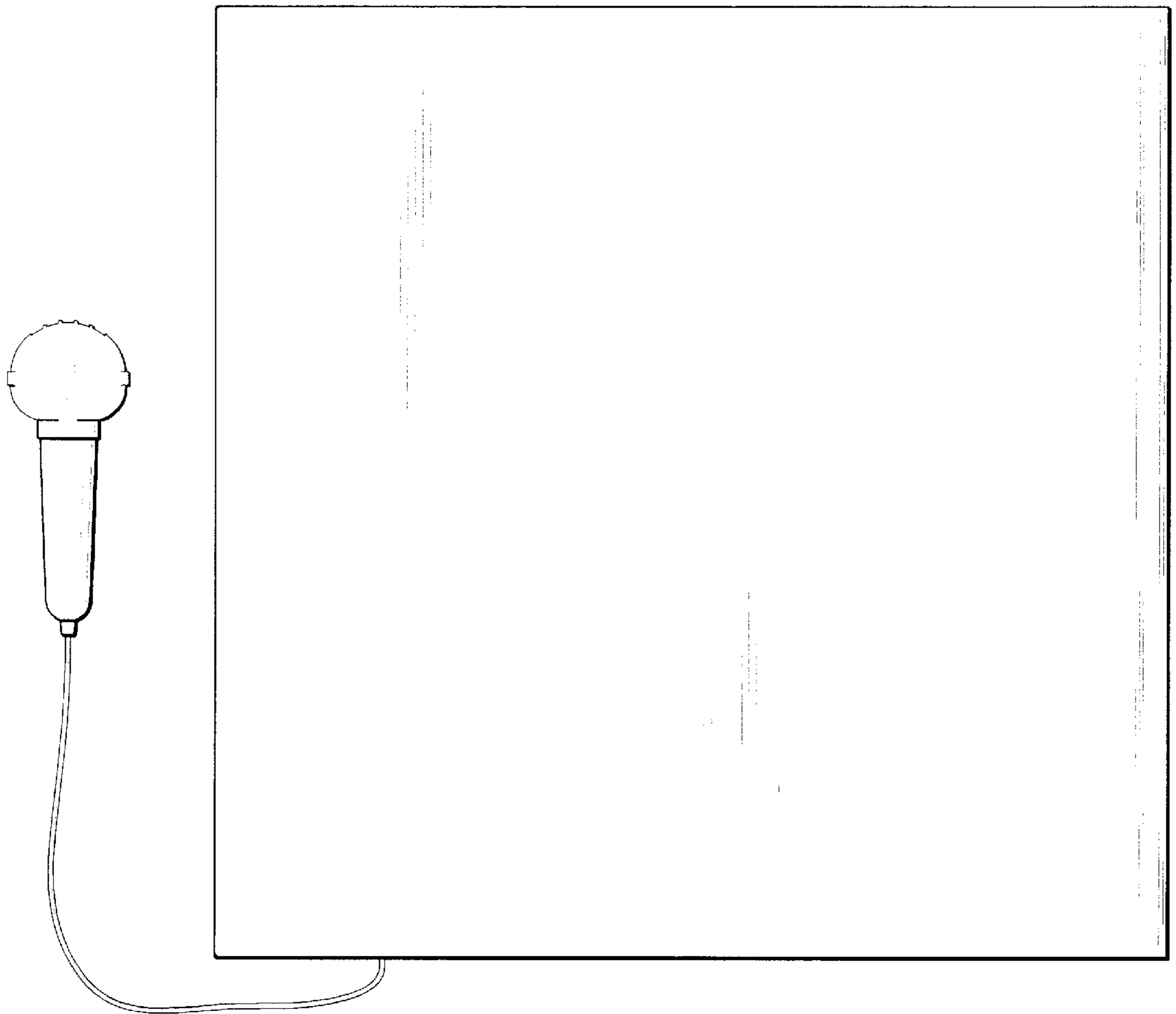


FIG. 8

