



US00D436096S

(12) **United States Design Patent**
Nagele et al.

(10) **Patent No.:** **US D436,096 S**

(45) **Date of Patent:** **** Jan. 9, 2001**

(54) **SPEAKER HOUSING**

(75) Inventors: **Albert L. Nagele**, Wilmette; **Lawrence W. Colwell**, Elgin, both of IL (US)

(73) Assignee: **Motorola, Inc.**, Schaumburg, IL (US)

(**) Term: **14 Years**

(21) Appl. No.: **29/122,008**

(22) Filed: **Apr. 18, 2000**

(51) **LOC (7) Cl.** **14-01**

(52) **U.S. Cl.** **D14/214**

(58) **Field of Search** D14/204, 207-216;
181/144-145, 147-148, 150, 153, 157,
198-199; 381/300-302, 307, 359-364,
386

(56) **References Cited**

U.S. PATENT DOCUMENTS

- D. 317,007 * 5/1991 Shintani D14/214
- D. 358,394 * 5/1995 Dyas D14/214
- D. 389,152 * 1/1998 Kurihara D14/215 X
- D. 401,938 * 12/1998 Chen D14/214
- D. 402,657 * 12/1998 Renk D14/214
- D. 411,535 6/1999 Beaumont et al. .

OTHER PUBLICATIONS

Motorola, *Cellular Accessories Catalog*, 10, 49 (Nov. 1996).
Motorola, *Cellular Accessory Guide*, 15, 39 (Aug. 1994).

* cited by examiner

Primary Examiner—Nanda Bondade

(74) *Attorney, Agent, or Firm*—Sylvia Chen

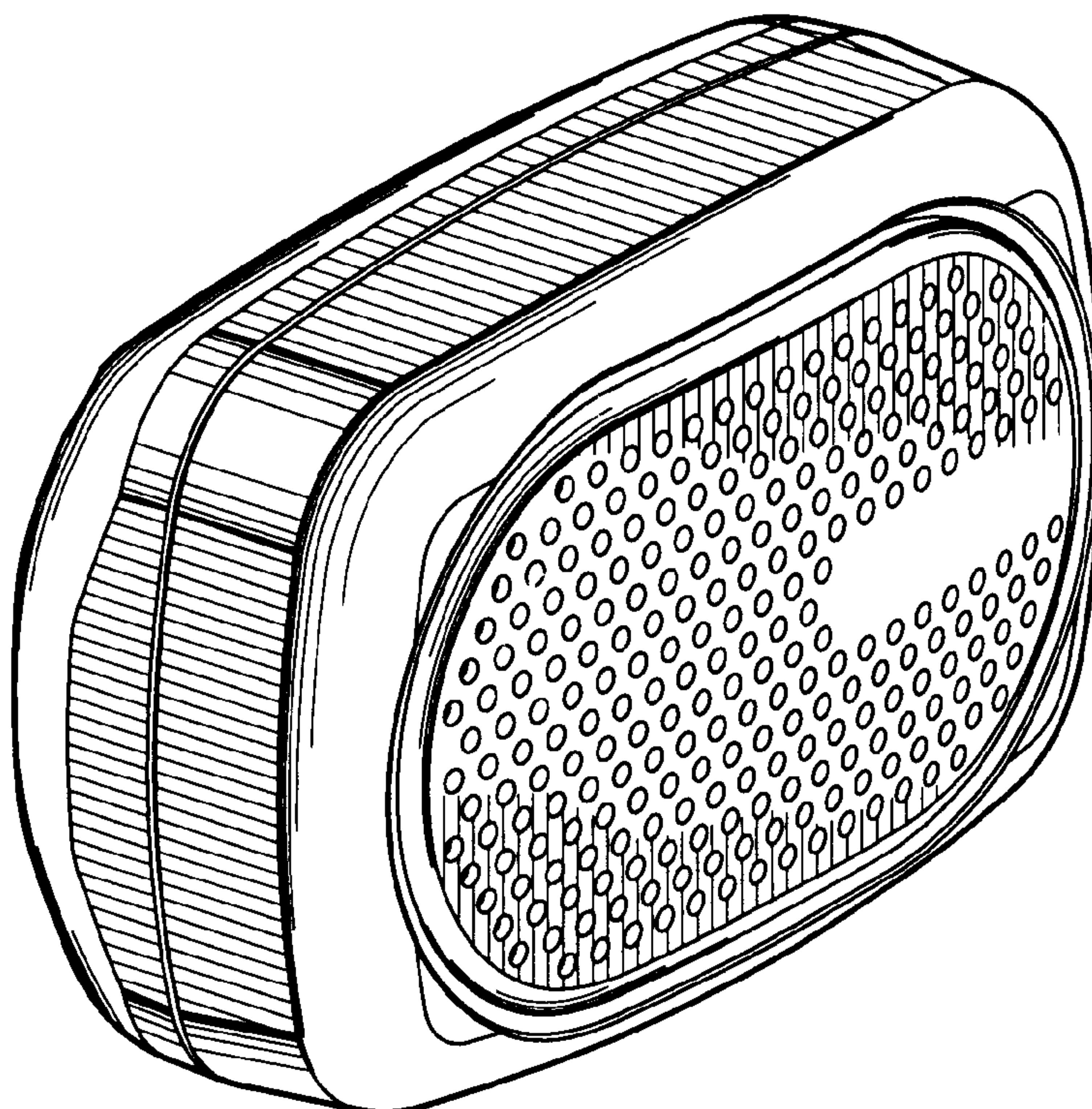
(57) **CLAIM**

The ornamental design for a speaker housing, as shown and described.

DESCRIPTION

FIG. 1 is a front, top, and left side perspective view of a first embodiment of a speaker housing;
 FIG. 2 is a left side elevation view of the first embodiment;
 FIG. 3 is a front elevation view of the first embodiment;
 FIG. 4 is a bottom plan view of the first embodiment;
 FIG. 5 is a top plan view of the first embodiment;
 FIG. 6 is a right side elevation view of the first embodiment;
 FIG. 7 is a rear elevation view of the first embodiment;
 FIG. 8 is a front, top, and left side perspective view of a second embodiment of a speaker housing;
 FIG. 9 is a left side elevation view of the second embodiment;
 FIG. 10 is a front elevation view of the second embodiment;
 FIG. 11 is a bottom plan view of the second embodiment;
 FIG. 12 is a top plan view of the second embodiment;
 FIG. 13 is a right side elevation view of the second embodiment; and,
 FIG. 14 is a rear elevation view of the second embodiment.
 The broken line matter in FIGS. 2-7 is for illustrative purposes only and forms no part of the claimed design.

1 Claim, 6 Drawing Sheets



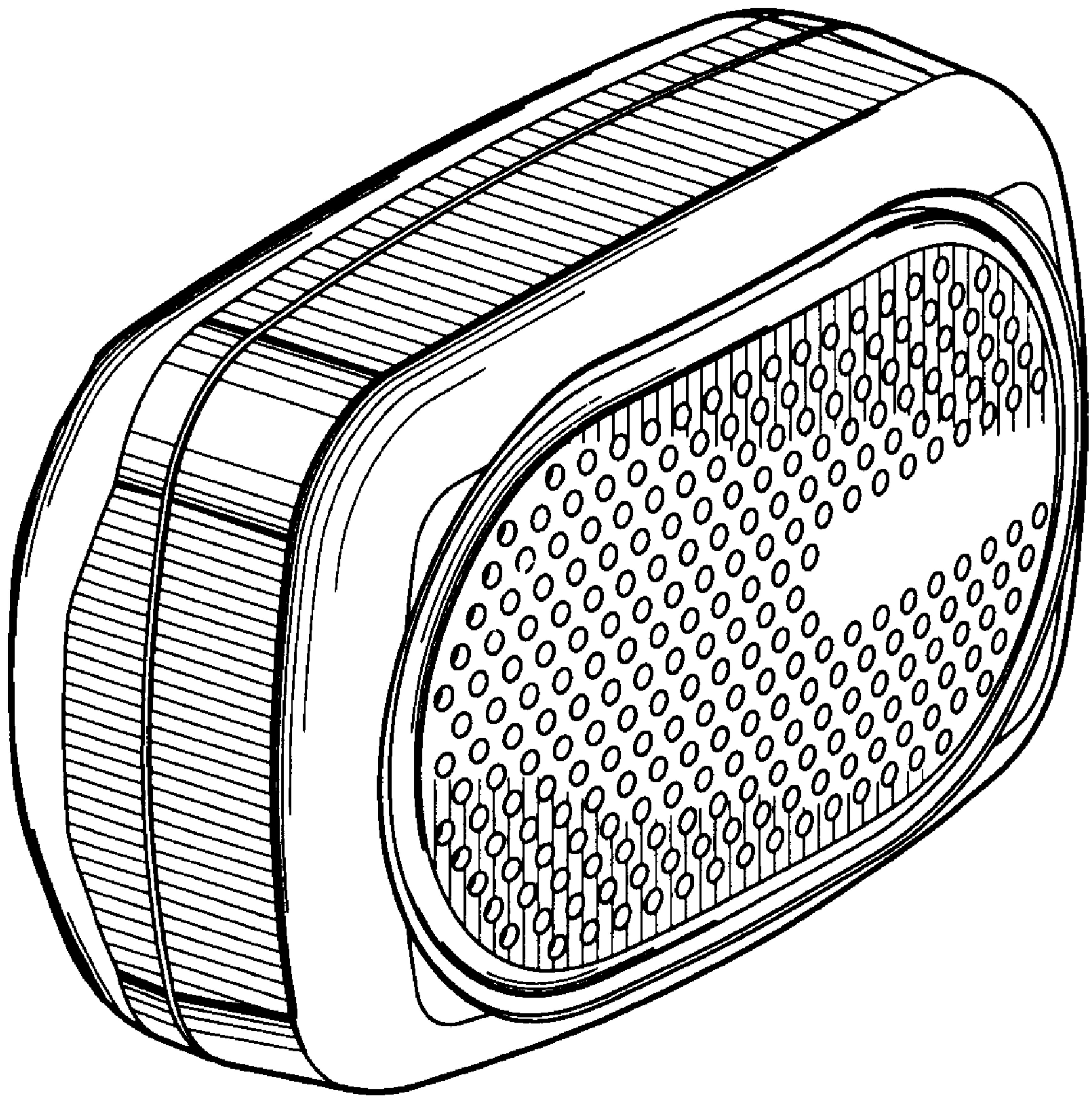


FIG. 1

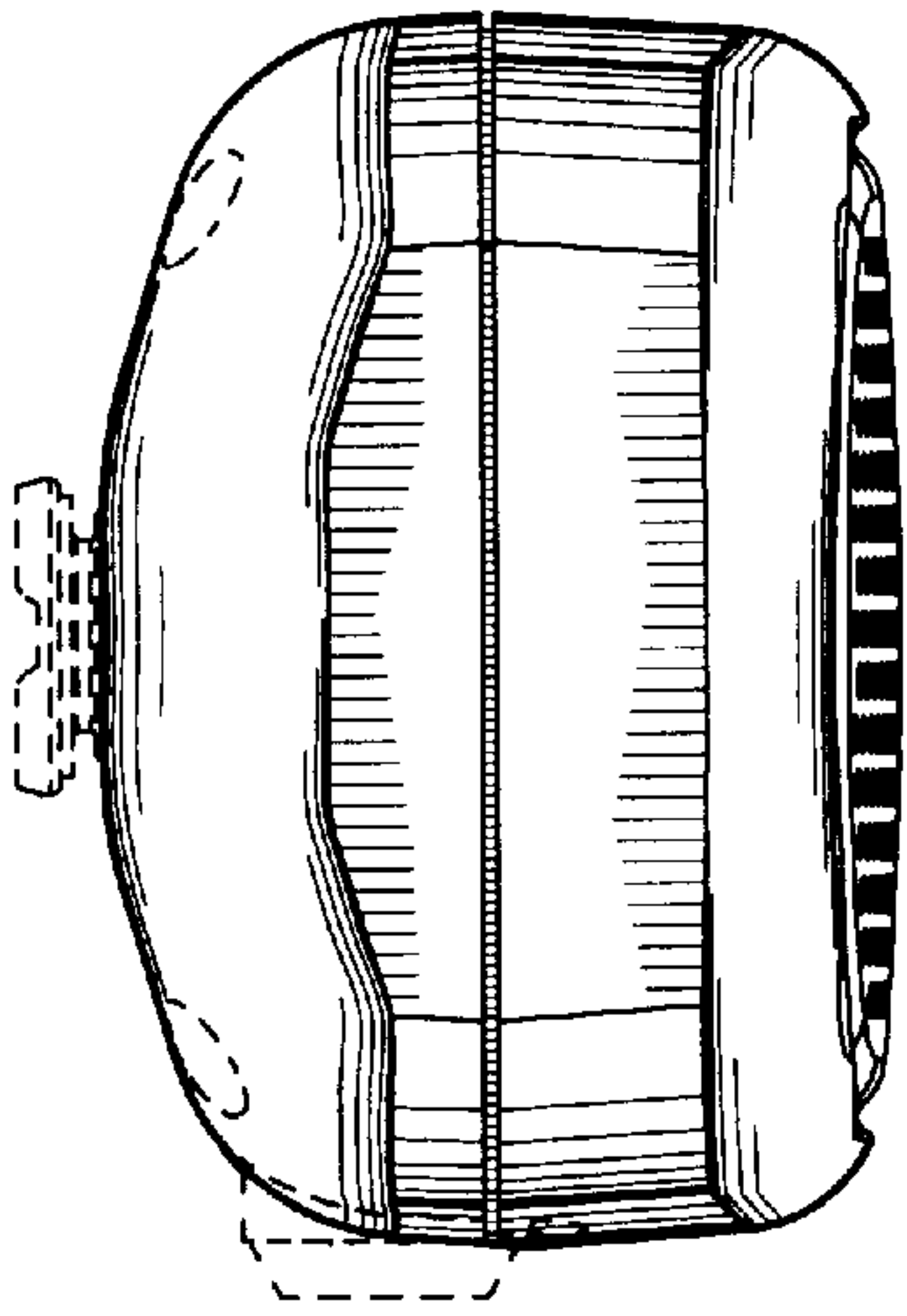


FIG. 2

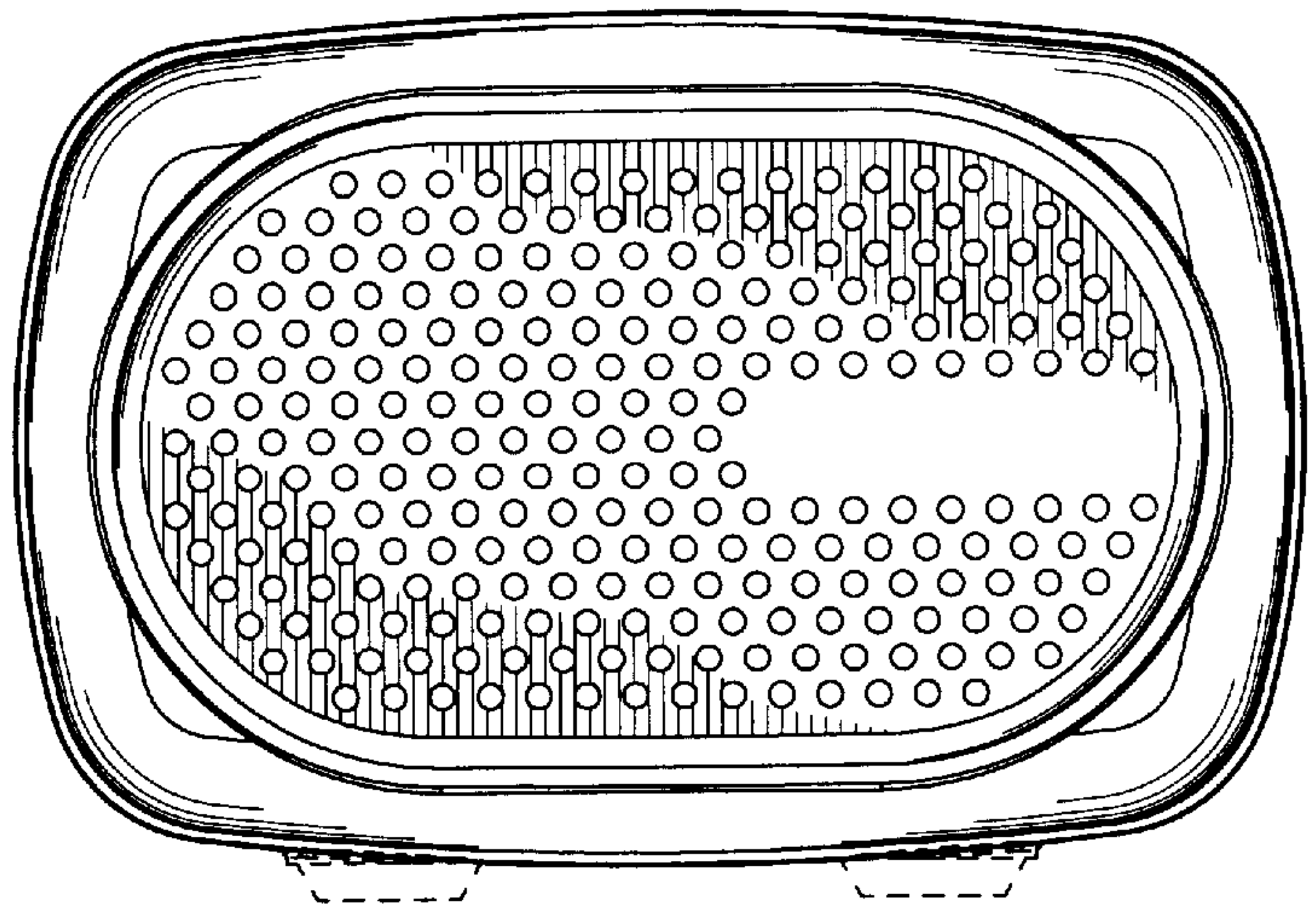


FIG. 3

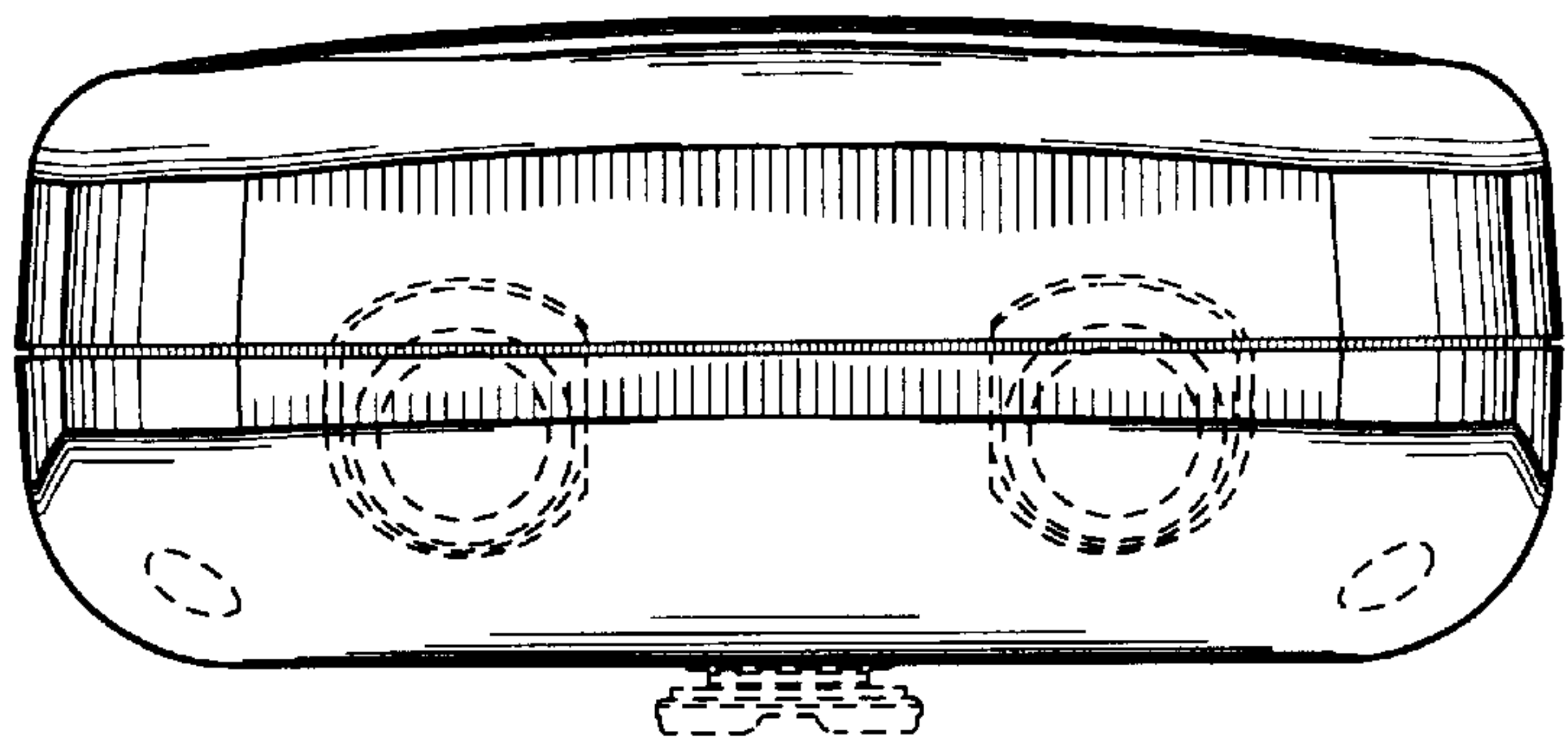


FIG. 4

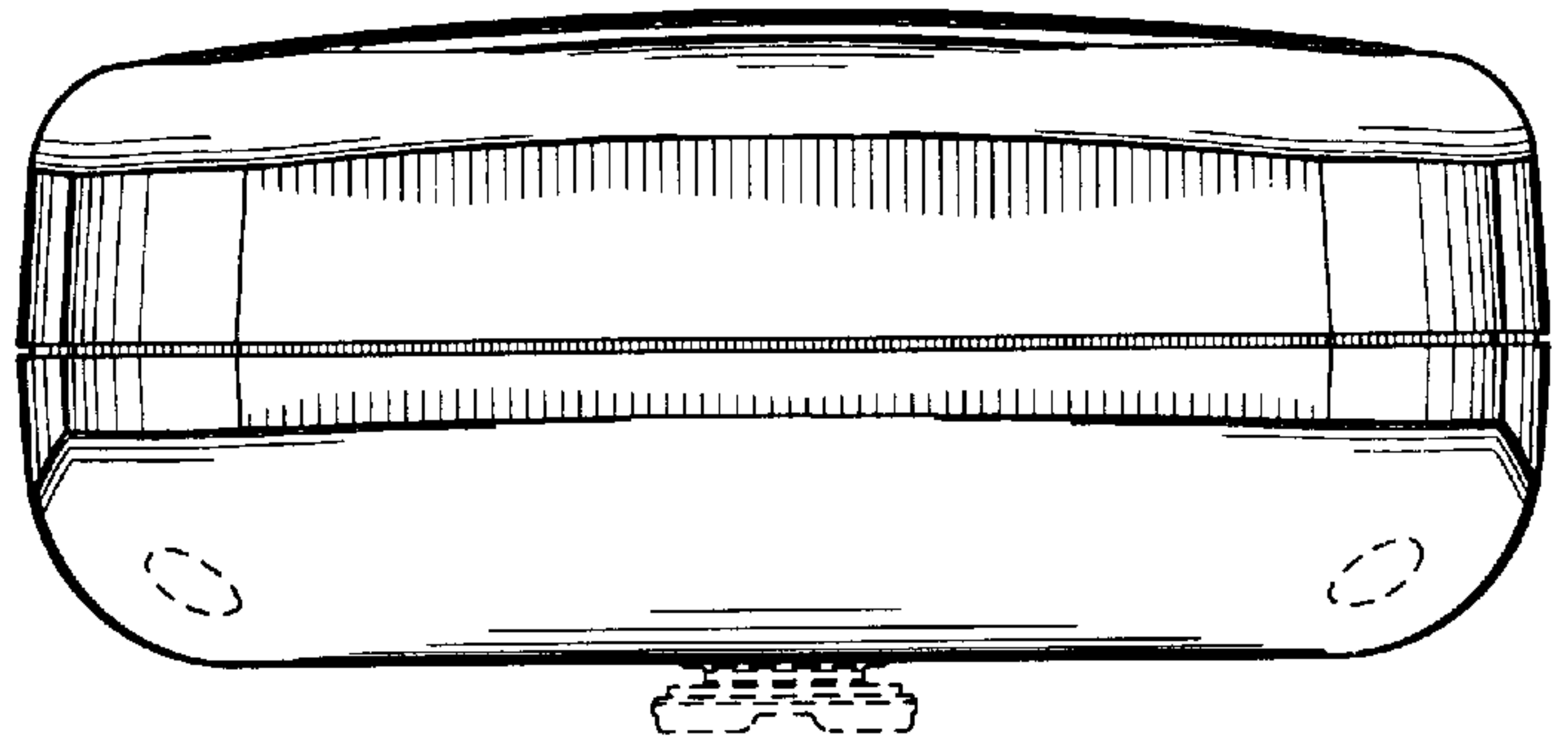


FIG. 5

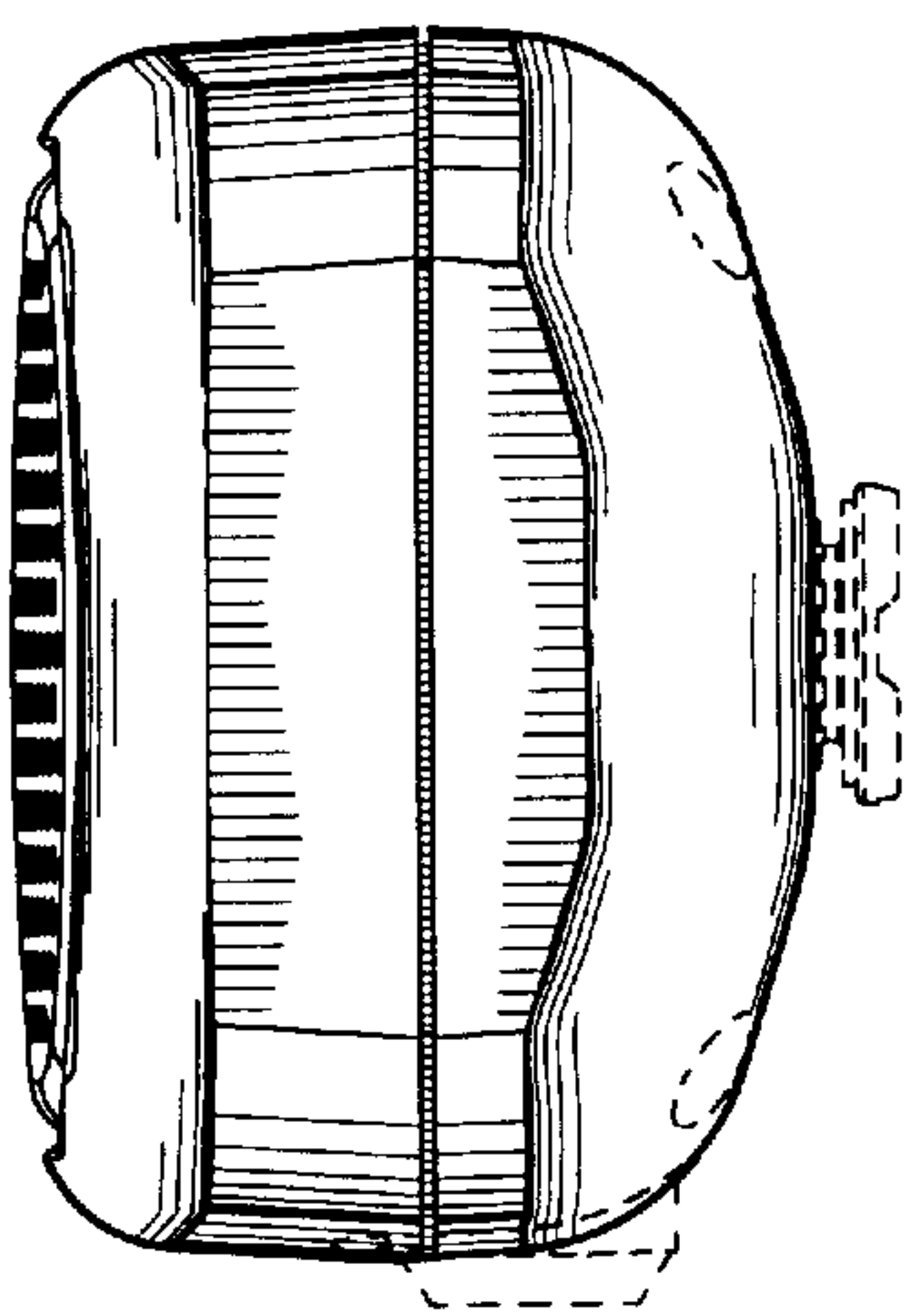


FIG. 6

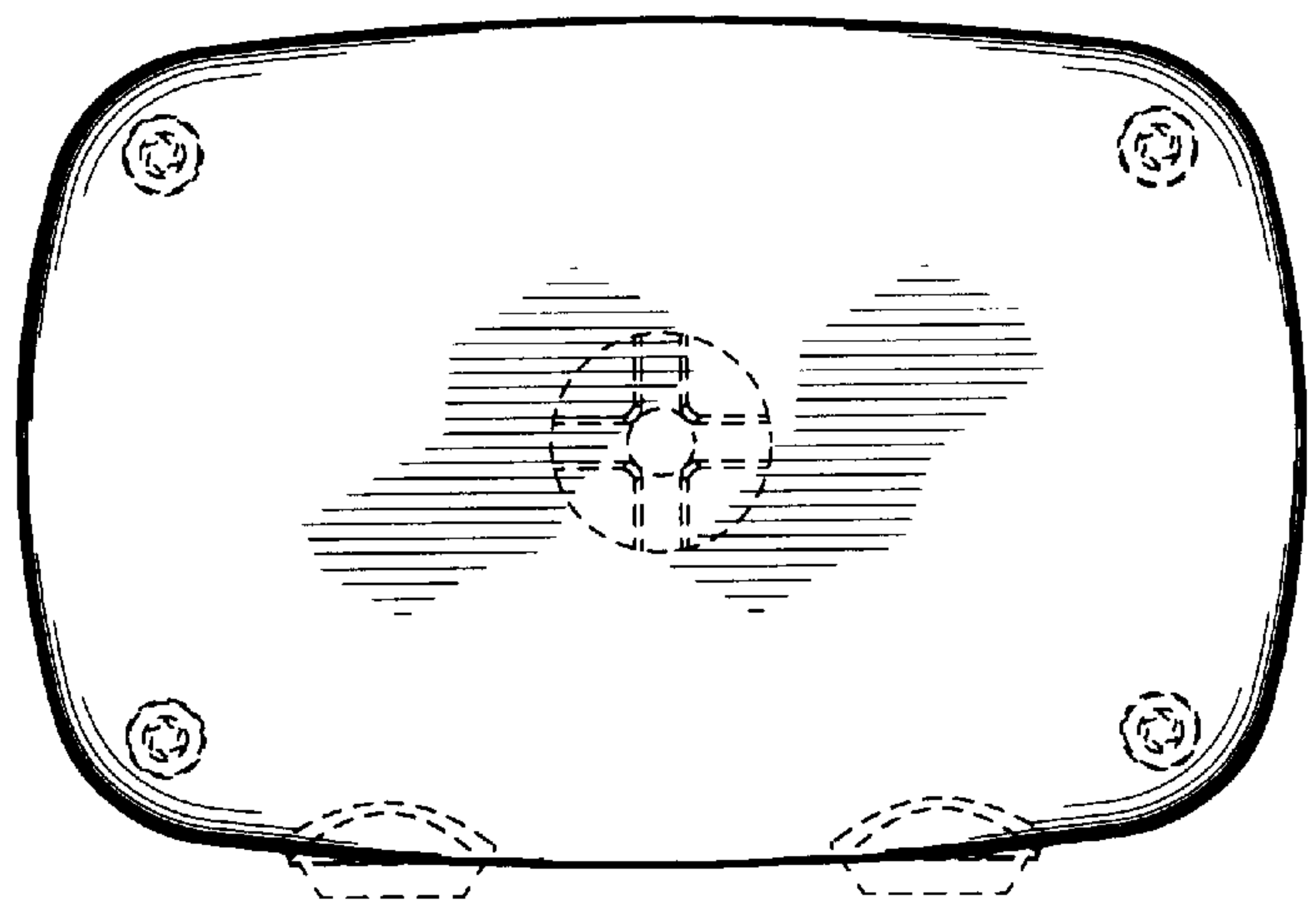


FIG. 7

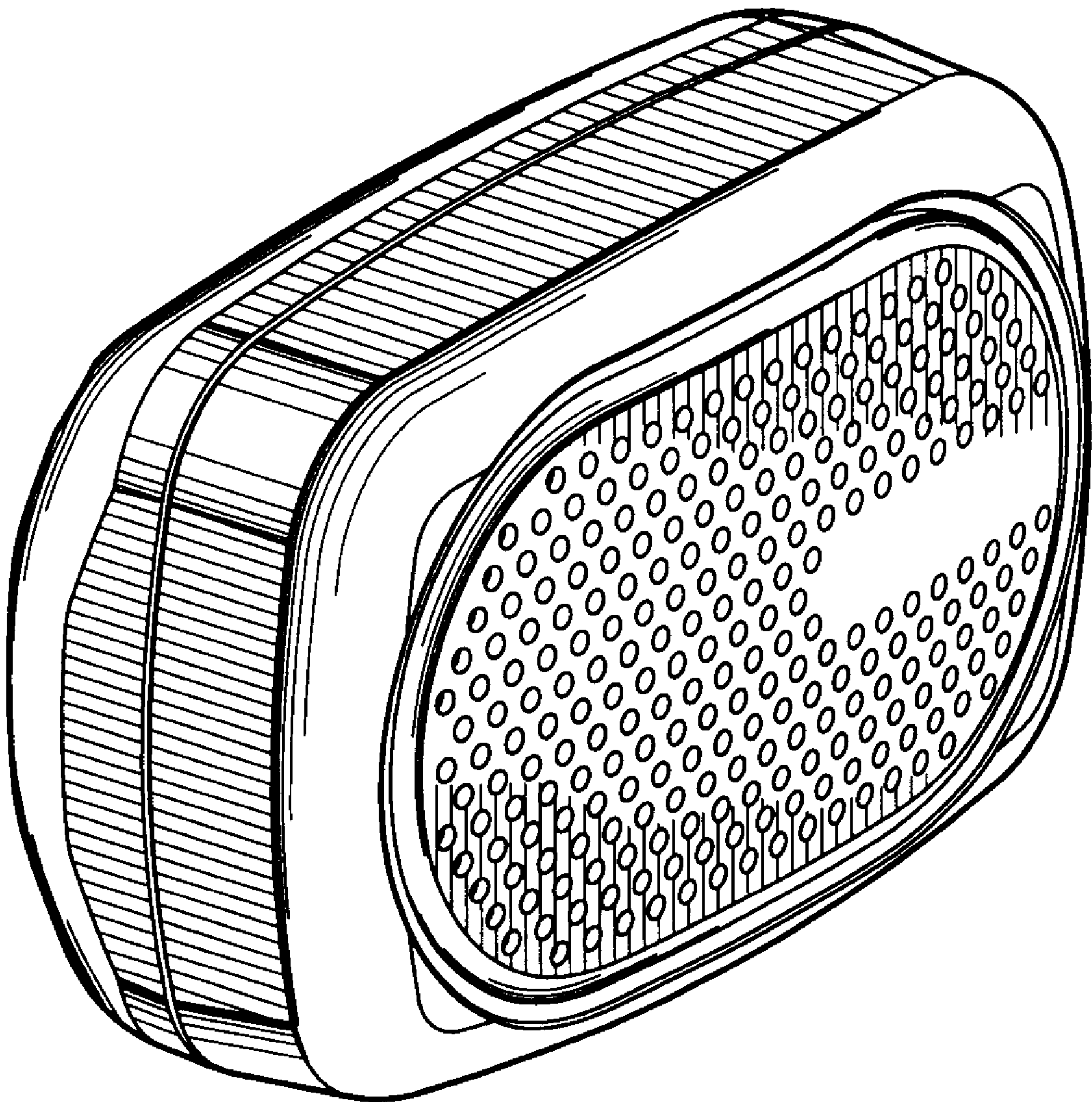


FIG. 8

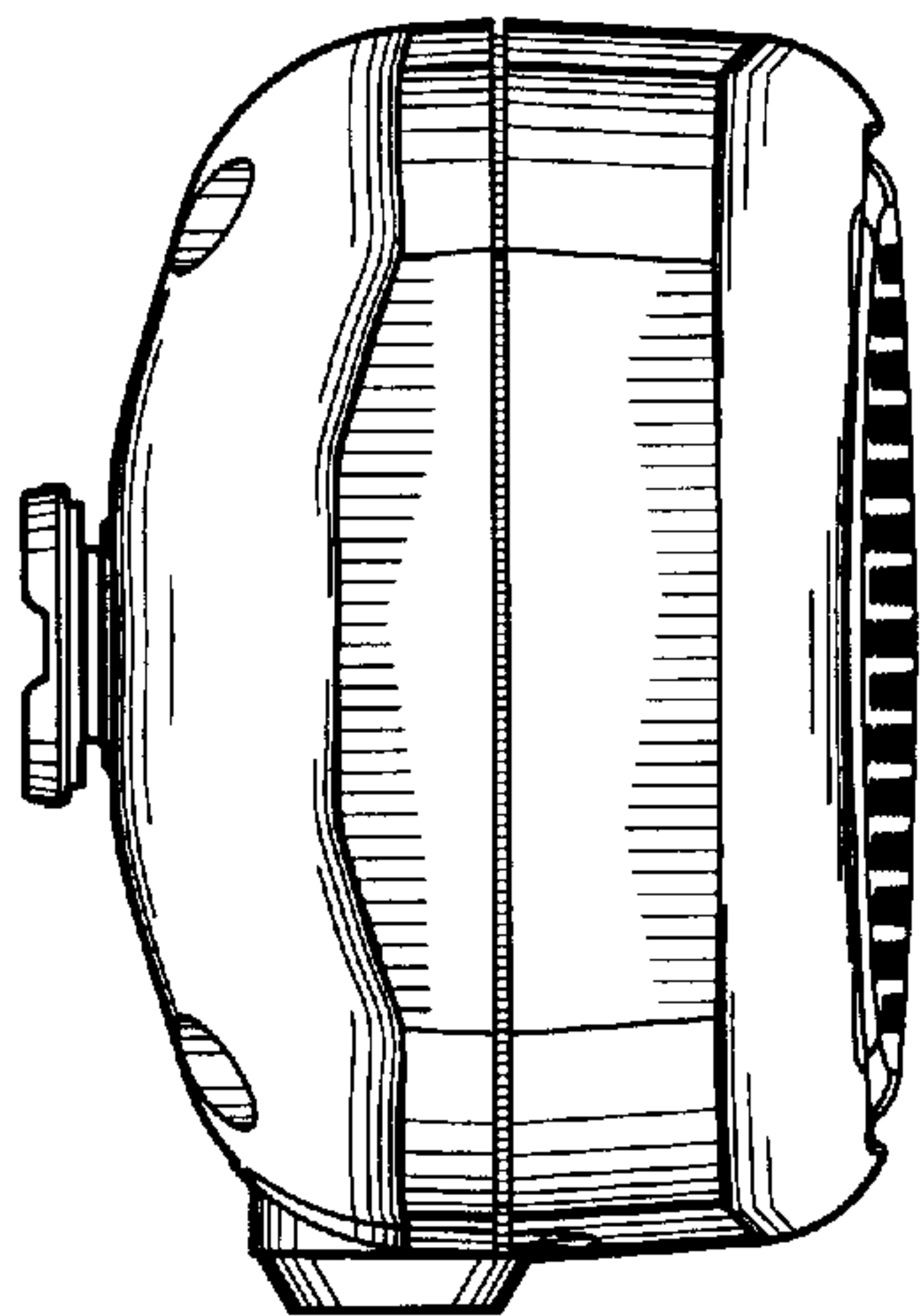


FIG. 9

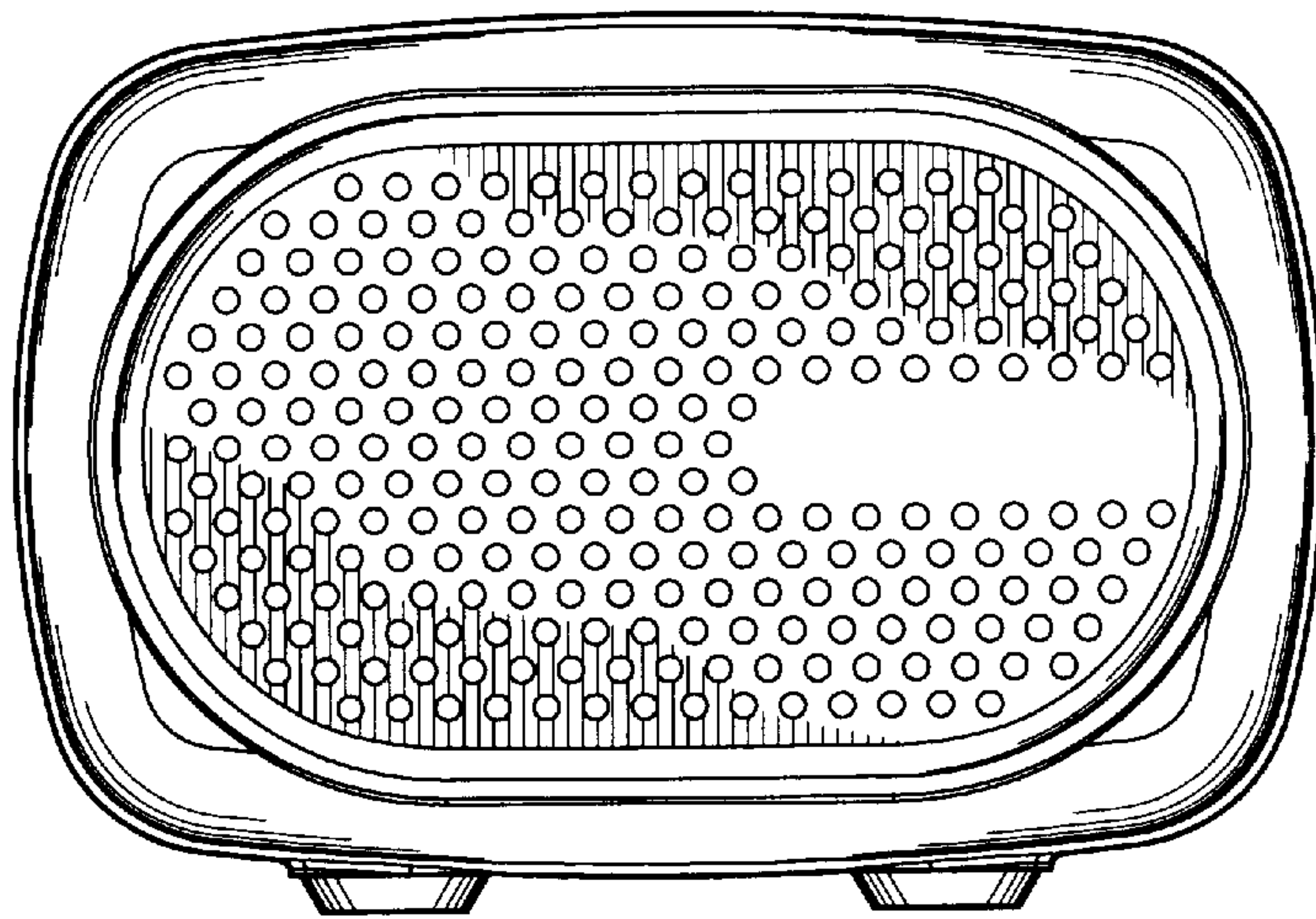


FIG. 10

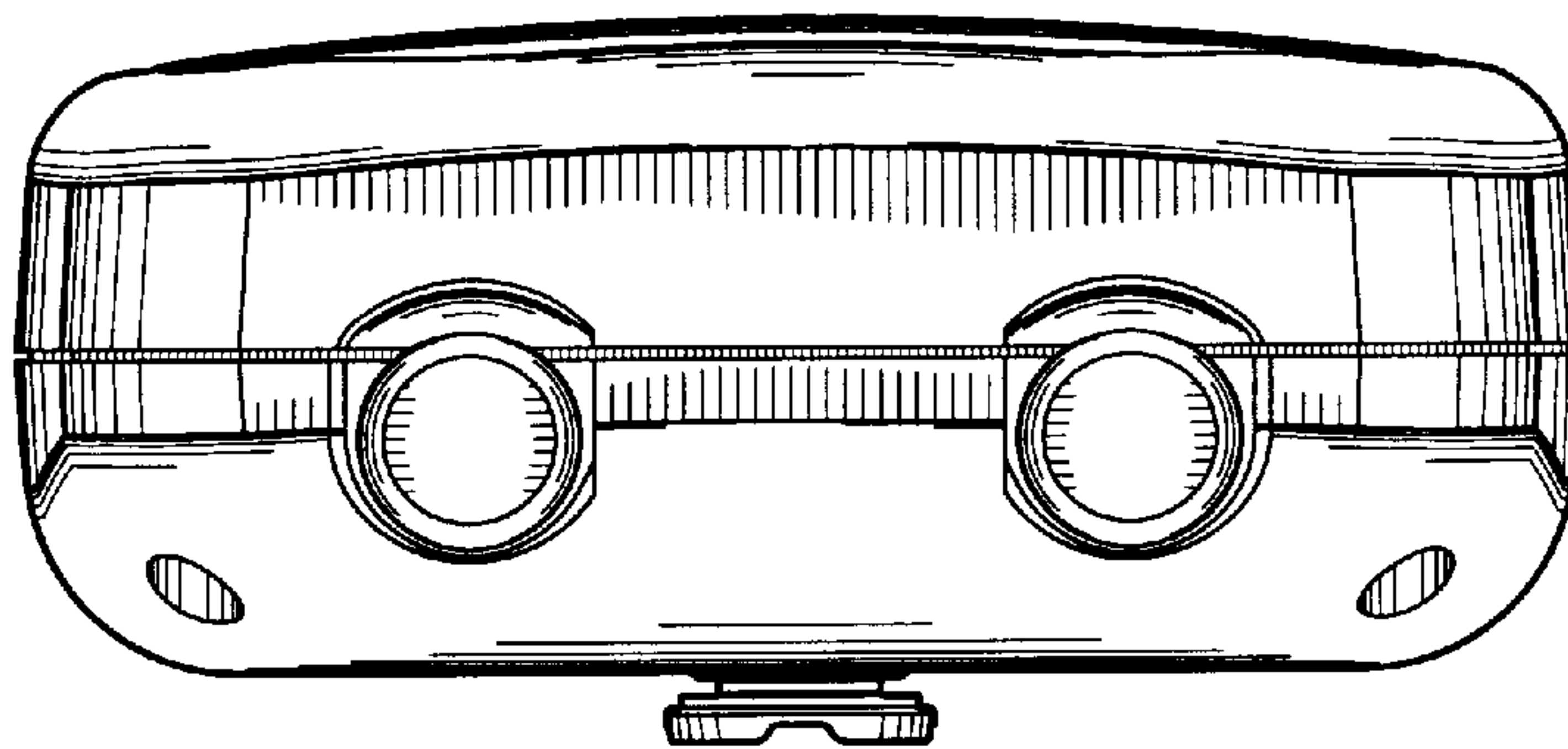


FIG. 11

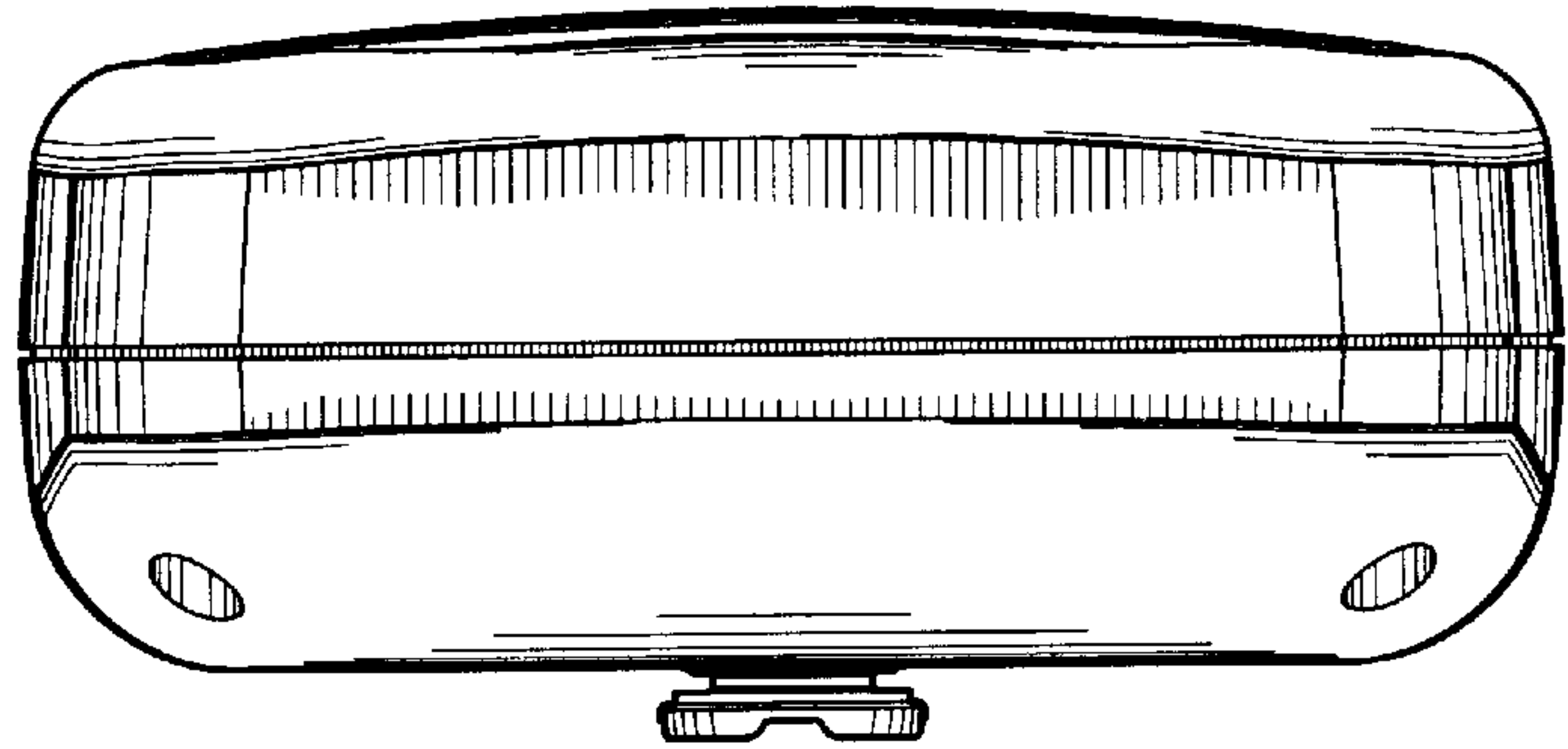


FIG. 12

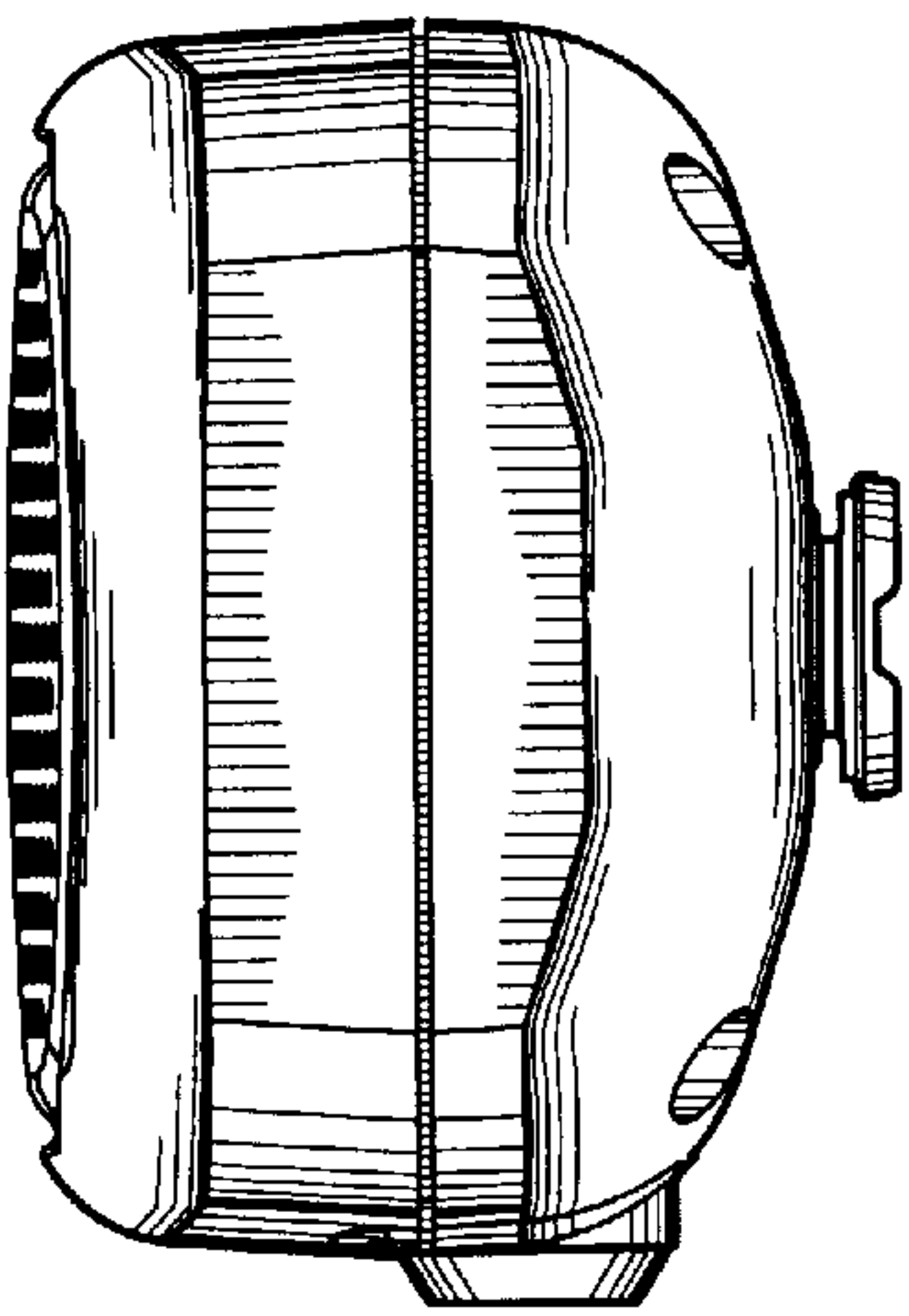


FIG. 13

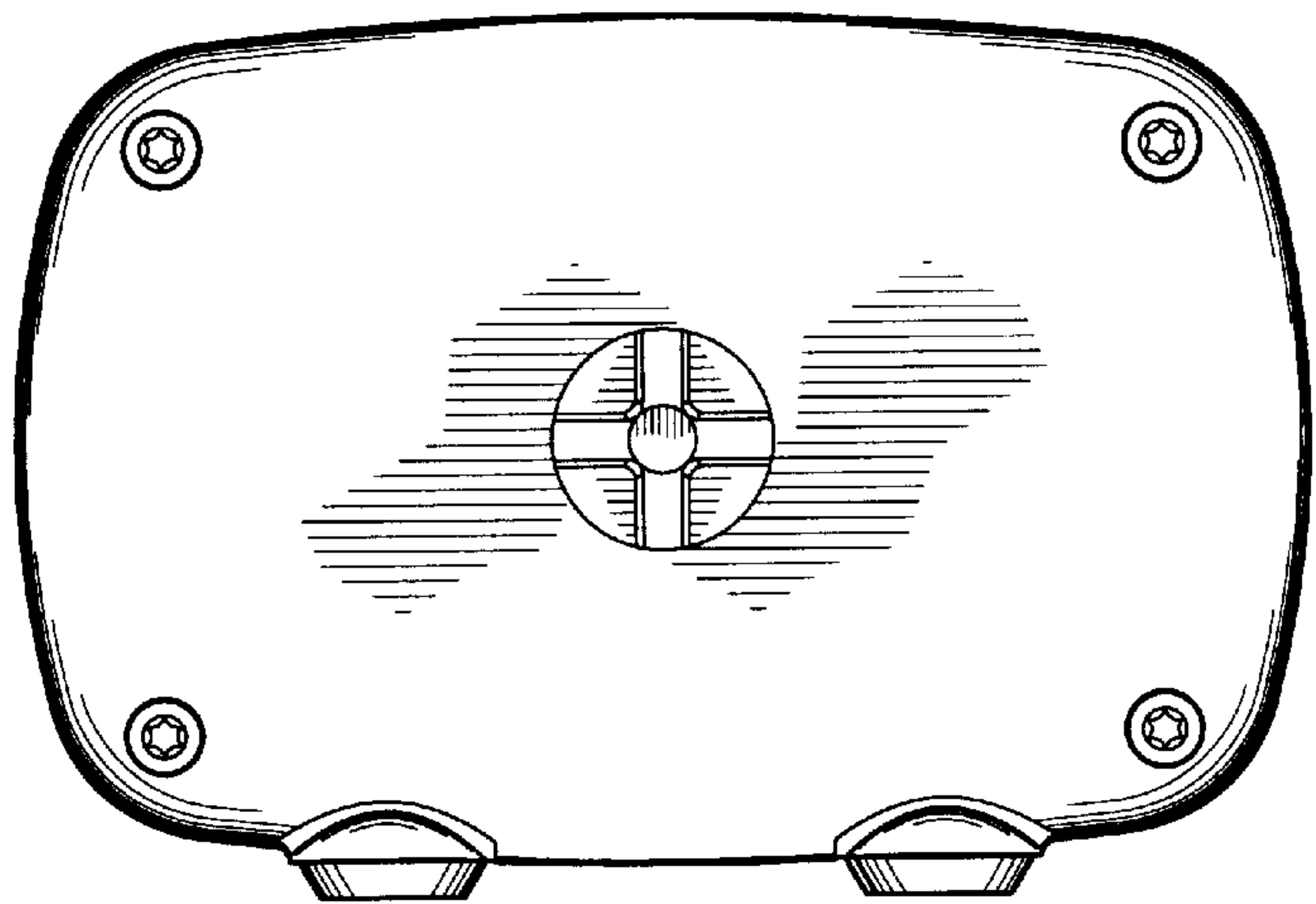


FIG. 14