



US00D436084S

(12) **United States Design Patent**
Decosse

(10) **Patent No.:** **US D436,084 S**

(45) **Date of Patent:** **** Jan. 9, 2001**

(54) **PUSH-BUTTON UNIT**

(75) Inventor: **Jean Decosse**, Chirens (FR)

(73) Assignee: **Schneider Electric Industries SA**,
Boulogne Billancourt (FR)

(**) Term: **14 Years**

(21) Appl. No.: **29/105,712**

(22) Filed: **May 28, 1999**

(30) **Foreign Application Priority Data**

Nov. 30, 1998 (FR) 986975

(51) **LOC (7) Cl.** **13-03**

(52) **U.S. Cl.** **D13/174**

(58) **Field of Search** D13/174, 171;
200/237, 238, 252, 275, 253, 329, 254,
282, 333, 341

(56) **References Cited**

U.S. PATENT DOCUMENTS

- D. 233,892 * 12/1974 Kay D13/174
- D. 297,727 * 9/1988 Saito D13/174
- D. 362,841 * 10/1995 Roza D13/171
- 4,590,342 * 5/1986 Schlegel 200/341 X

- 5,055,643 * 10/1991 Pardini 200/341 X
- 5,495,081 * 2/1996 Ipcinski 200/341 X

* cited by examiner

Primary Examiner—Brian N. Vinson

(74) *Attorney, Agent, or Firm*—Oblon, Spivak, McClelland,
Maier & Neustadt, P.C.

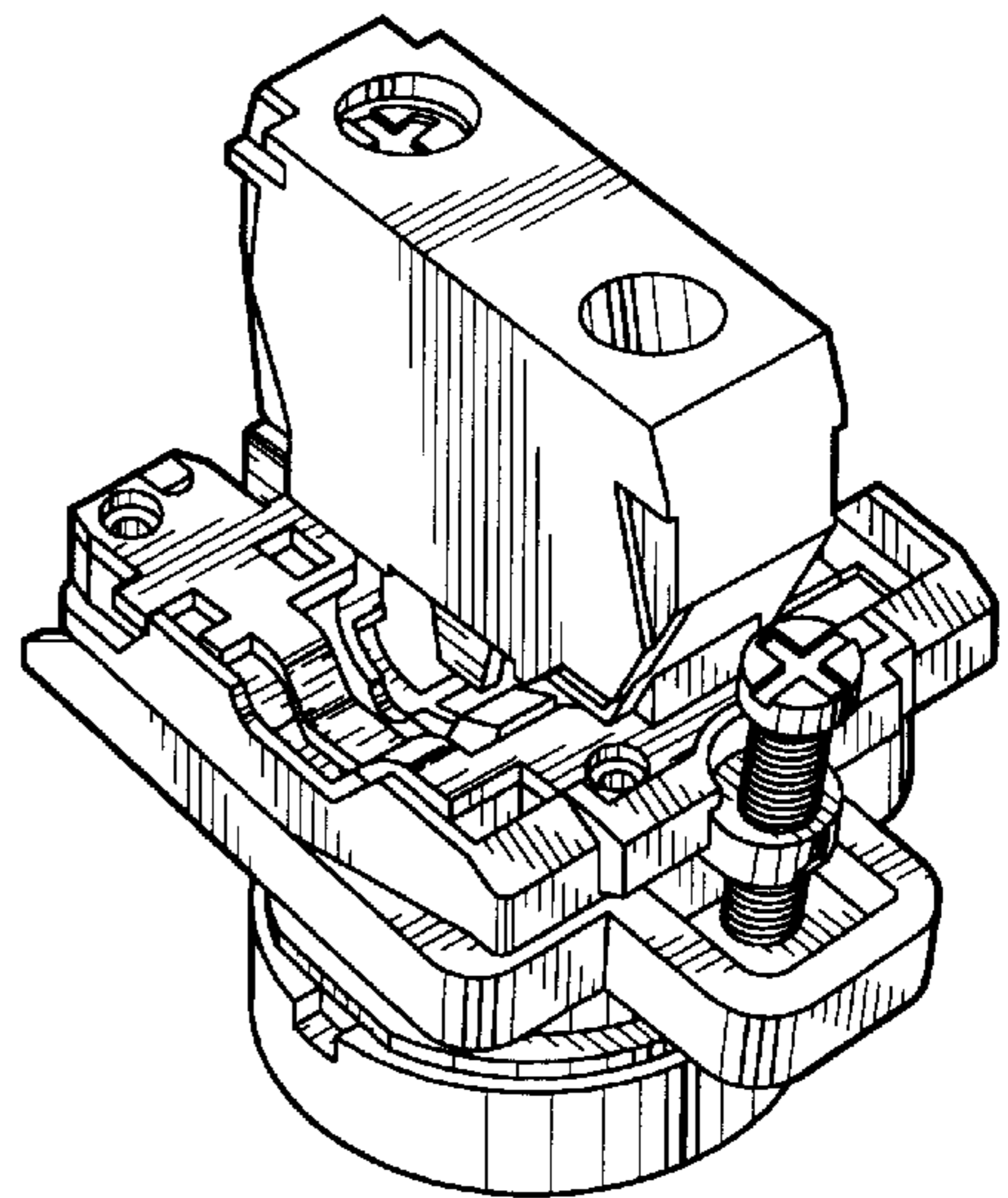
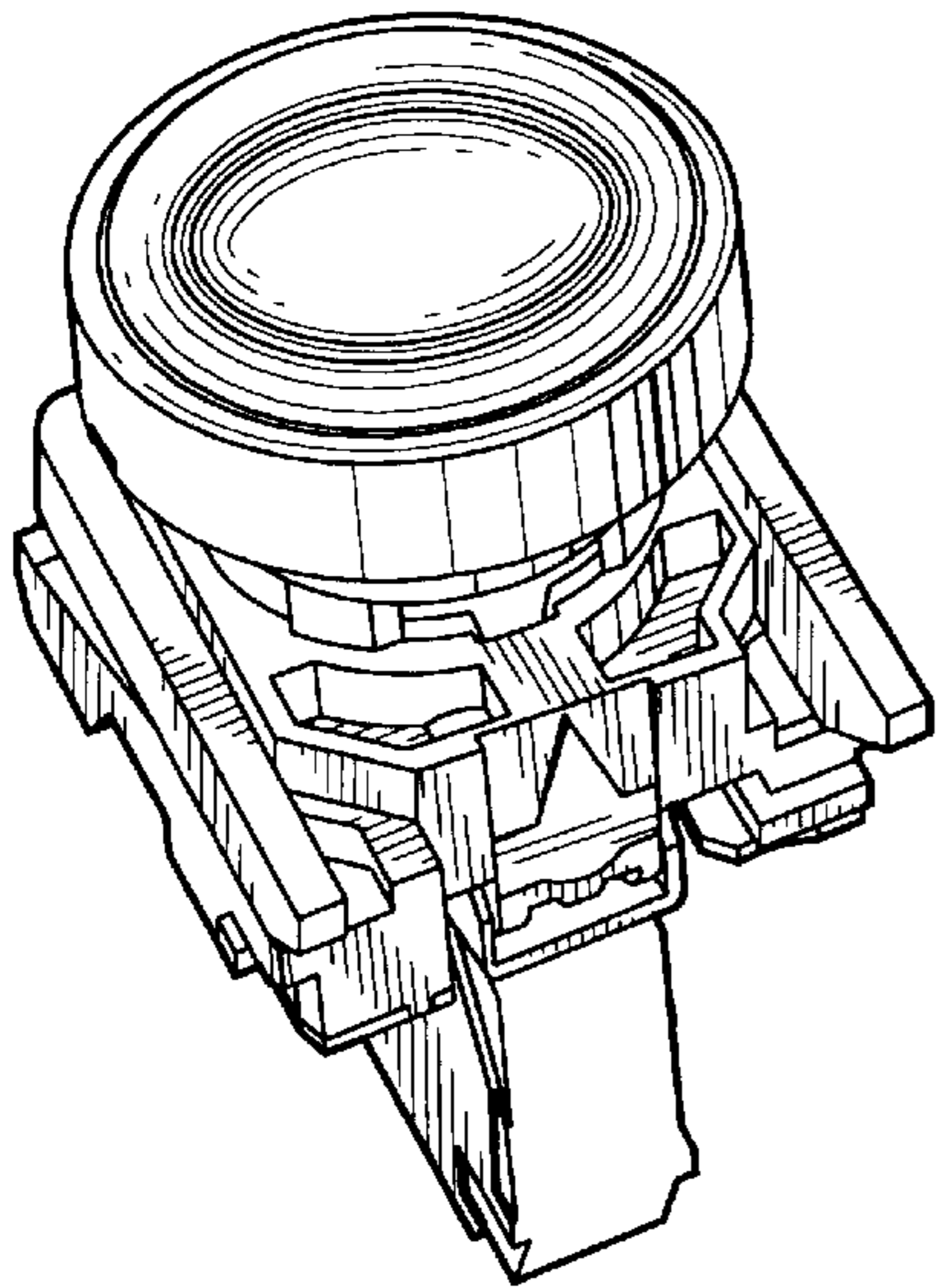
(57) **CLAIM**

The ornamental design for a push-button unit, as shown and described.

DESCRIPTION

The push-button unit claimed in the present invention is for making electrical contacts, but could be used for triggering any type of device, so as to be more aesthetically pleasing. FIG. 1 is a front elevational view of push-button unit embodying the new design thereof; FIG. 2 is a rear elevational view thereof; FIG. 3 is a left side elevational view thereof; FIG. 4 is a right side elevational view thereof; FIG. 5 is a top plan view thereof; FIG. 6 is a bottom plan view thereof; FIG. 7 is a top, front, left perspective view thereof; and, FIG. 8 is a bottom, rear, left perspective view thereof.

1 Claim, 4 Drawing Sheets



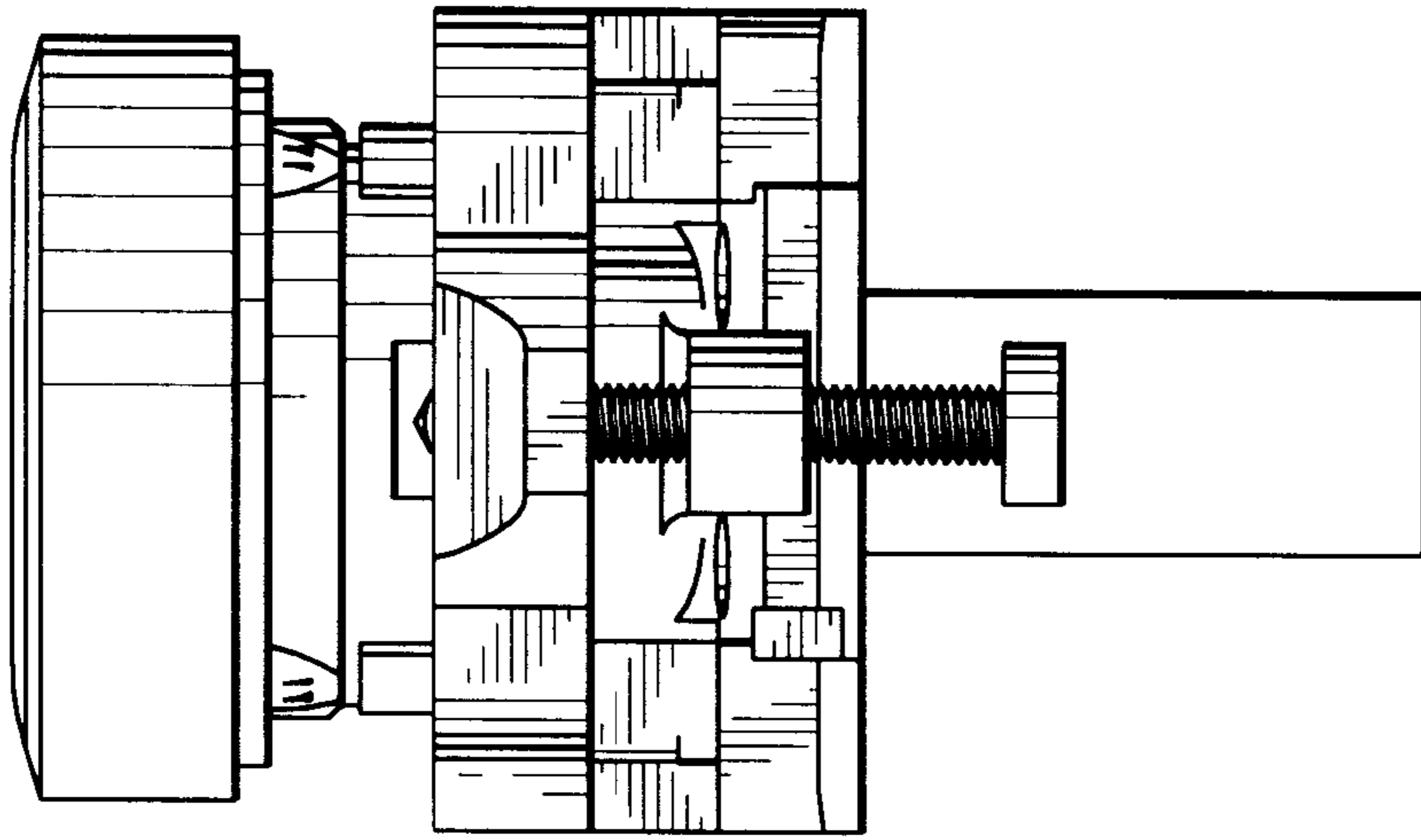


FIG. 2

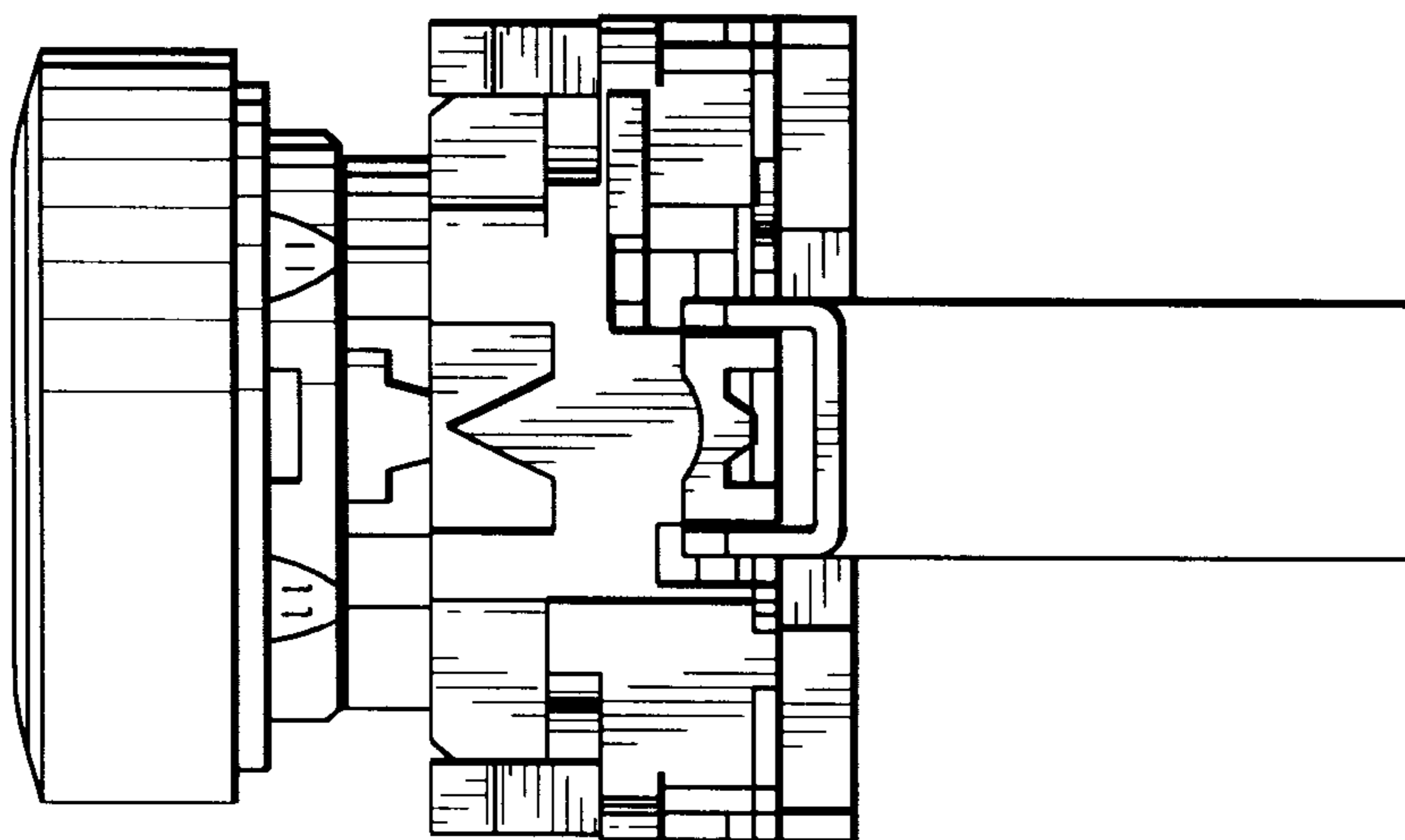


FIG. 1

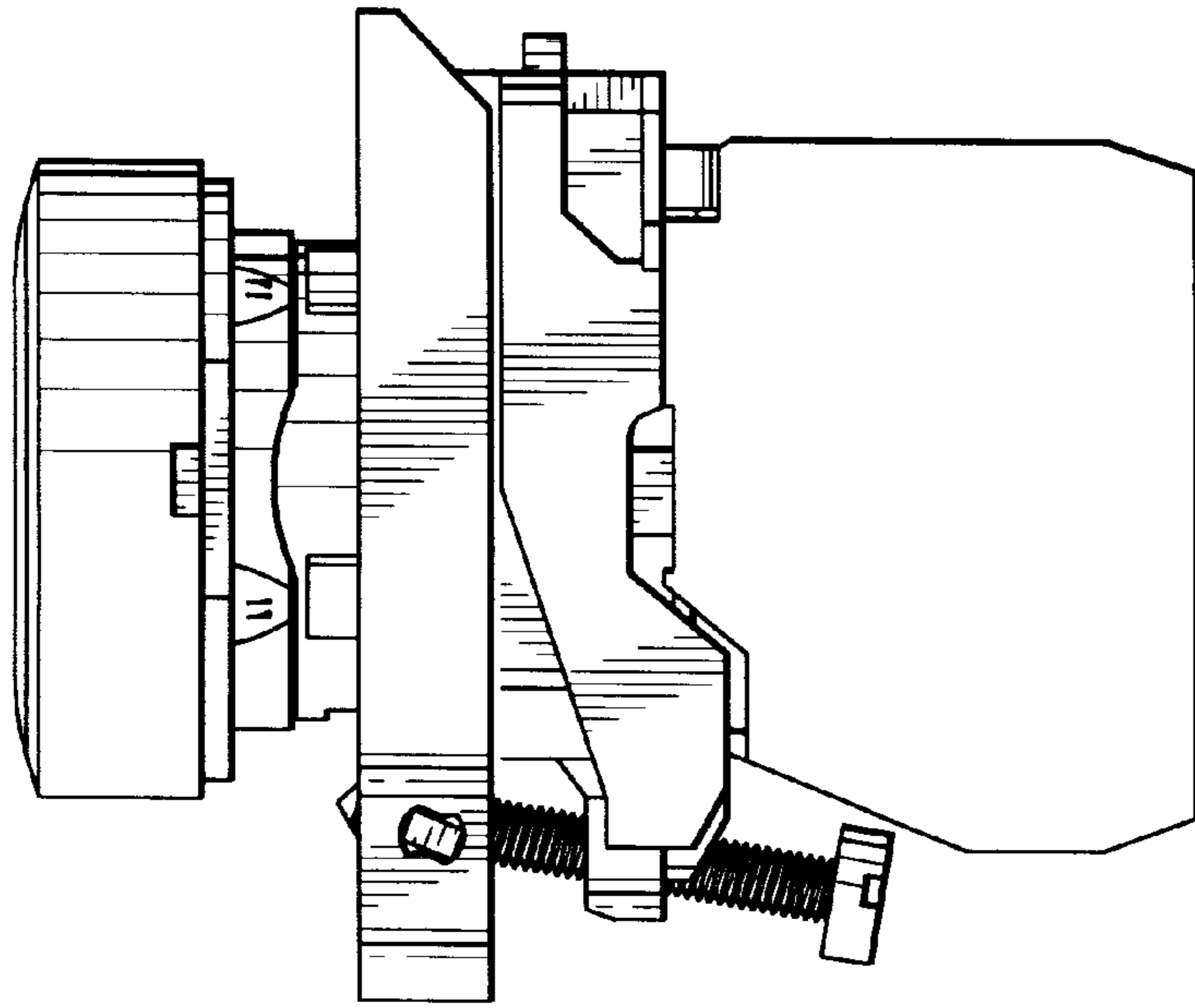


FIG. 4

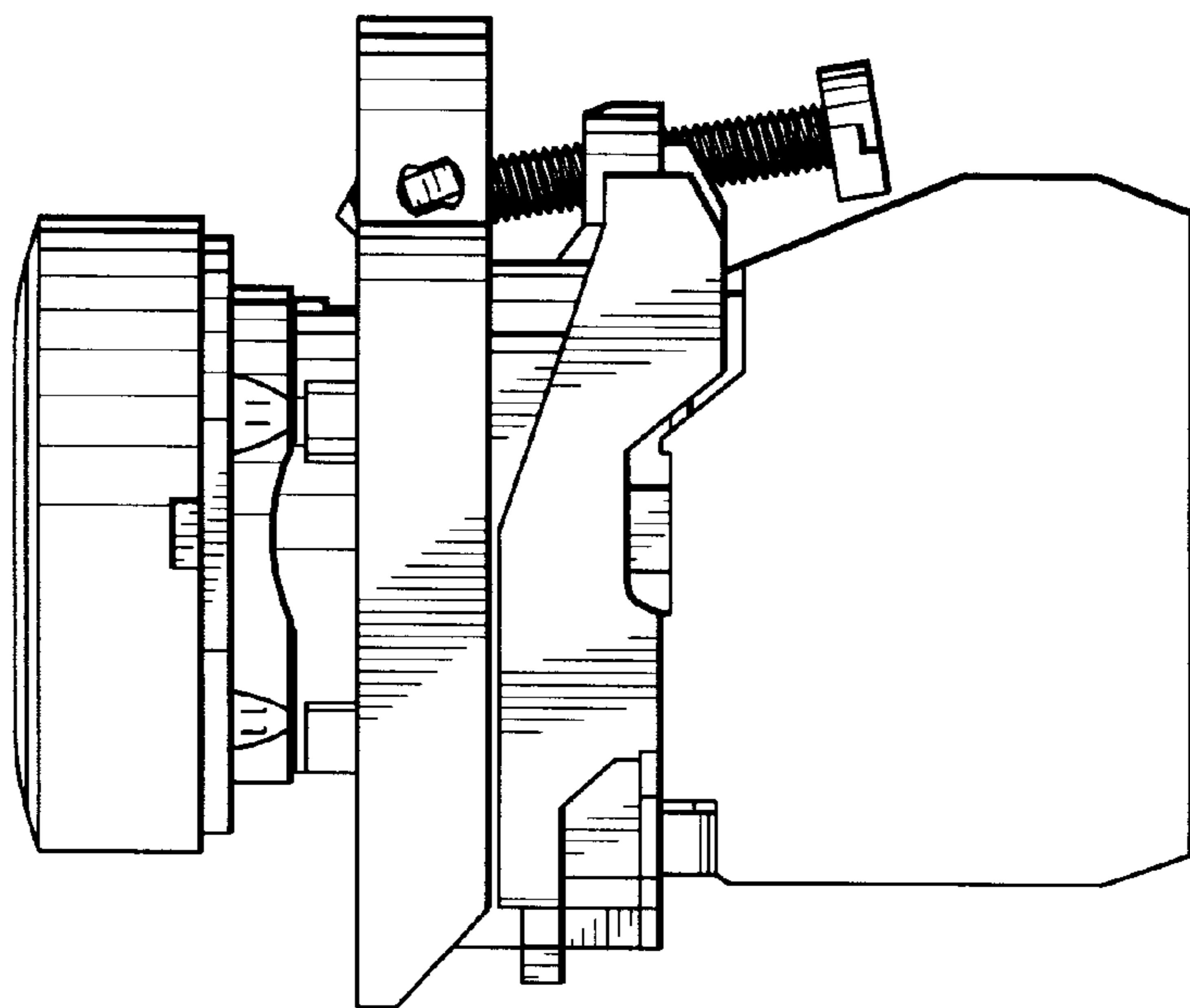


FIG. 3

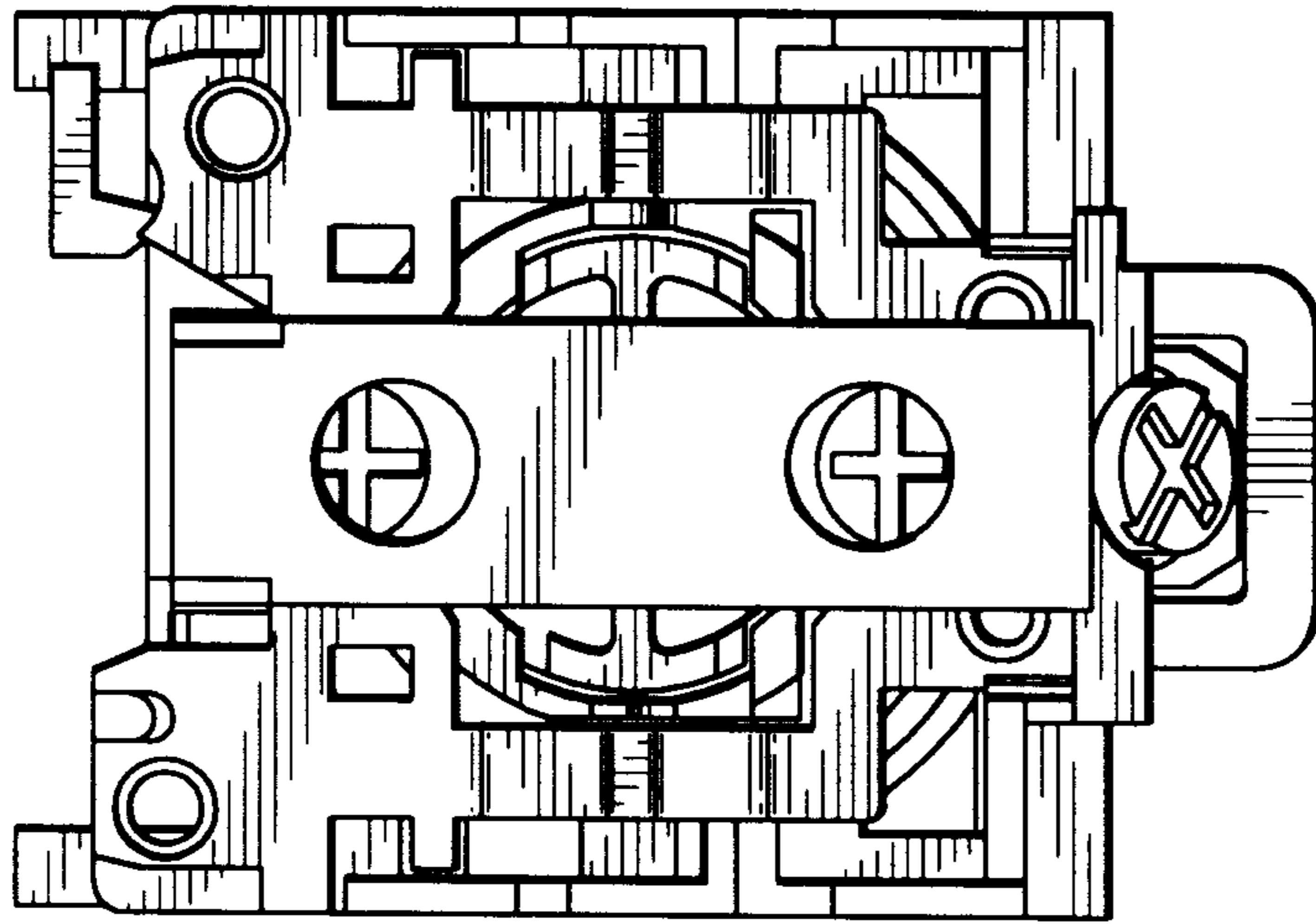


FIG. 6

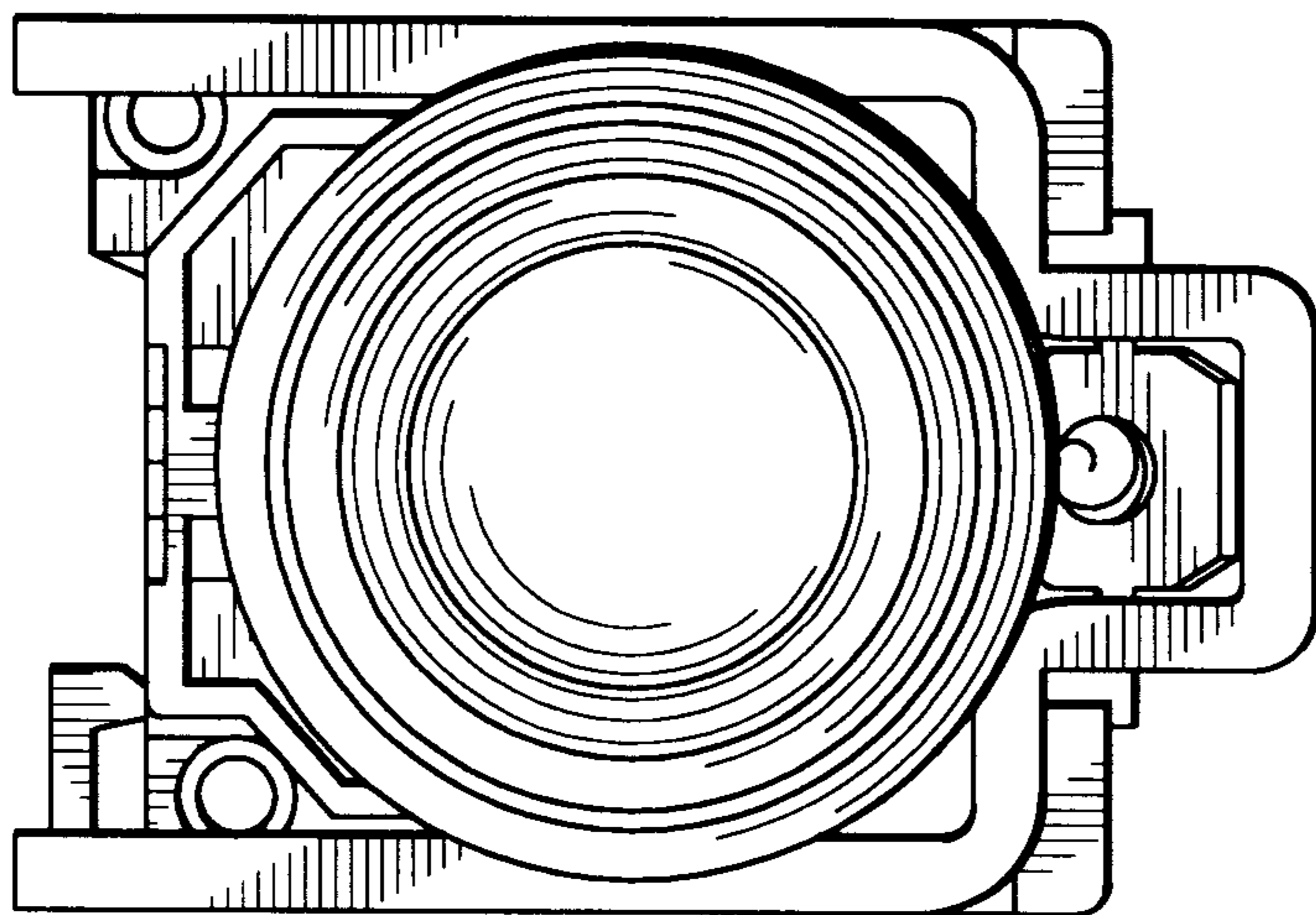


FIG. 5

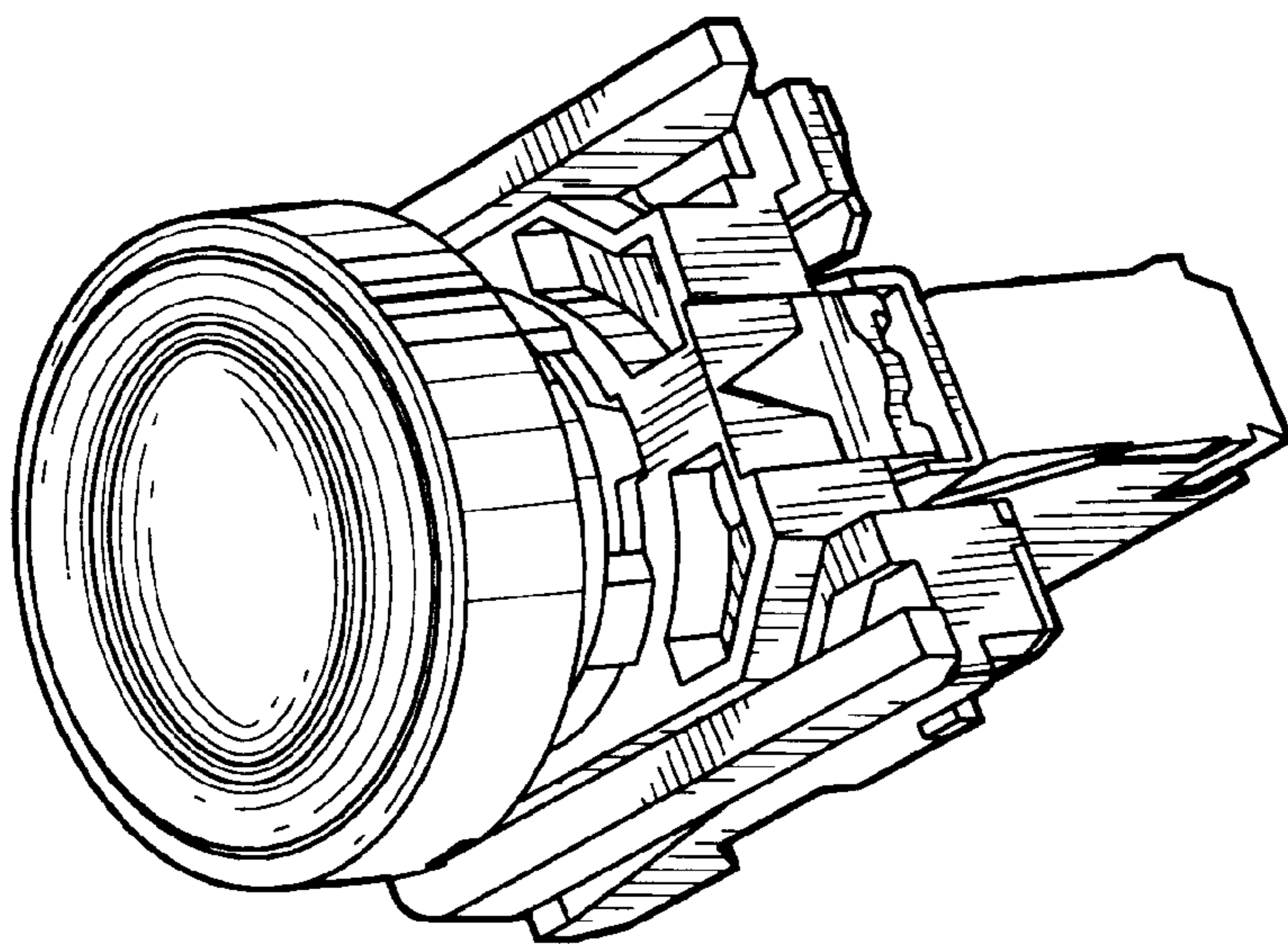


FIG. 7

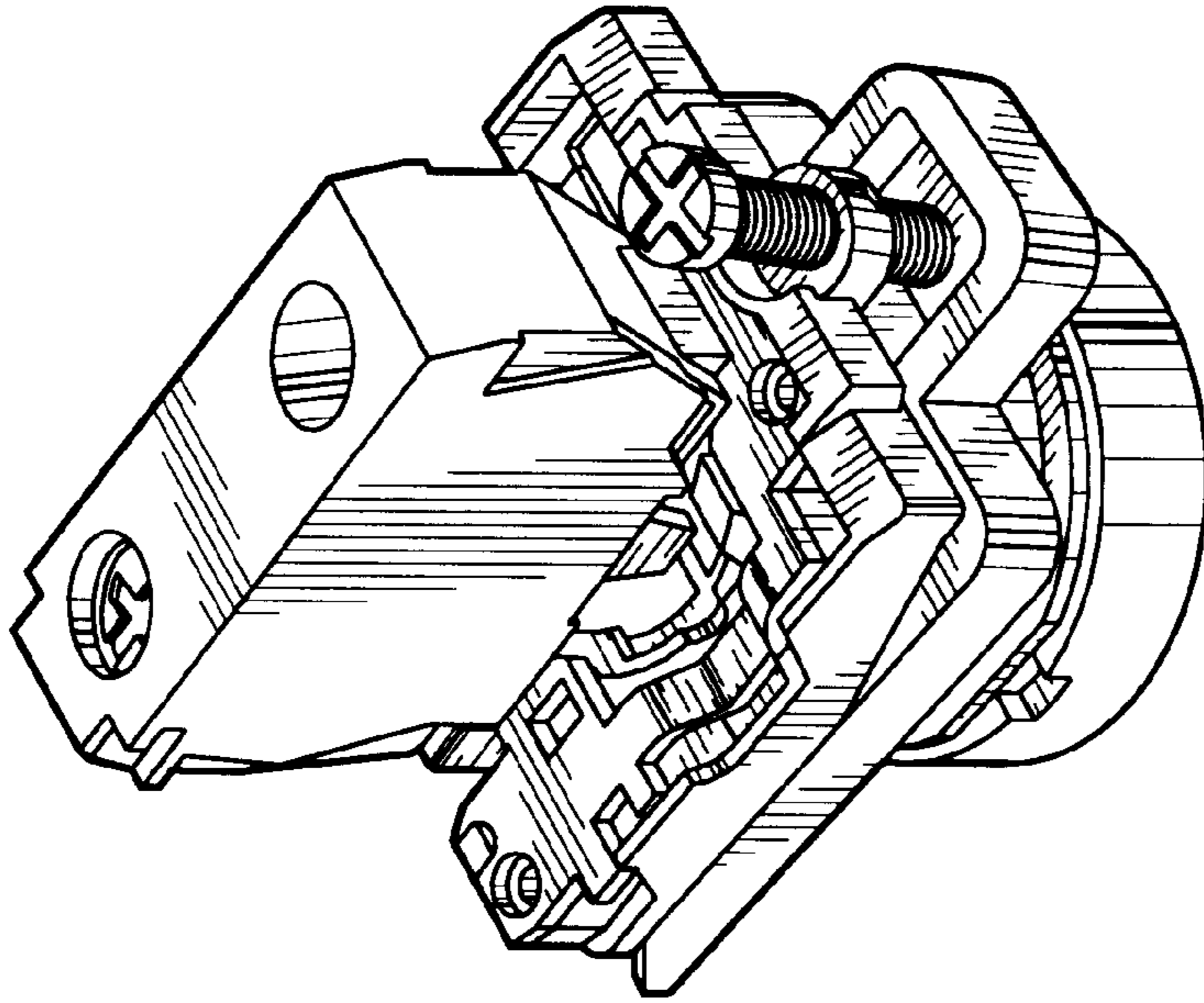


FIG. 8