



US00D436078S

(12) **United States Design Patent**
Korte

(10) **Patent No.:** **US D436,078 S**

(45) **Date of Patent:** **** Jan. 9, 2001**

(54) **LAMP SOCKET**

(76) Inventor: **Heinrich Korte**, Bahnhofstr. 4, 26810
Ihrhove (DE)

(**) Term: **14 Years**

(21) Appl. No.: **29/107,603**

(22) Filed: **Jul. 8, 1999**

(30) **Foreign Application Priority Data**

Jan. 8, 1999 (DE) 4 99 00 328

(51) **LOC (7) Cl.** **13-03**

(52) **U.S. Cl.** **D13/134**

(58) **Field of Search** D13/134; 313/318.01,
313/318.05, 318.09, 323, 324; 439/226,
232, 242, 243; 362/260, 221, 263, 217

(56) **References Cited**

U.S. PATENT DOCUMENTS

- D. 389,457 * 1/1998 Beranek D13/133
- D. 400,854 * 11/1998 Beranek D13/133
- 2,227,739 * 1/1941 Pollard 362/217
- 2,314,233 * 1/1943 McSween 362/217 X
- 3,989,335 * 11/1976 Belokin, Jr. 439/225
- 4,225,905 * 9/1980 Moriyama et al. 362/216
- 4,287,456 * 9/1981 Kovacik et al. 315/283
- 5,140,216 * 8/1992 Darr 313/25
- 5,362,246 * 11/1994 Lau 439/231
- 5,624,179 * 4/1997 Korte 362/222
- 5,720,548 * 2/1998 Geary 362/260
- 5,785,543 * 7/1998 Dietrich 39/611
- 5,864,461 * 1/1999 Cho 361/674
- 5,959,393 * 9/1999 Gors et al. 313/318.02

FOREIGN PATENT DOCUMENTS

630201A * 5/1982 (CH) H01J/61/02

- 3248579A1 * 7/1984 (DE) H01J/61/02
- 4413504A1 * 10/1995 (DE) G09F/13/04
- 4415210A1 * 11/1995 (DE) F21S/01/02
- 42505 * 12/1981 (EP) C08G/65/28
- 329936A1 * 8/1989 (EP) H01R/33/08
- 510300A2 * 10/1992 (EP) F21L/09/00
- 654634A1 * 5/1995 (EP) F21S/03/02
- 677699A1 * 10/1995 (EP) F21V/23/06

* cited by examiner

Primary Examiner—Joel Sincavage

(74) *Attorney, Agent, or Firm*—Birch, Stewart, Kolasch & Birch, LLP

(57) **CLAIM**

I claim the ornamental design of a lamp socket, as shown and described.

DESCRIPTION

FIG. 1 is a rear, perspective view of the first embodiment of a lamp socket showing my new design;

FIG. 2 is a rear, perspective view of the first embodiment shown in a different environment;

FIG. 3 is a rear, perspective view of the second embodiment of a lamp socket showing my new design;

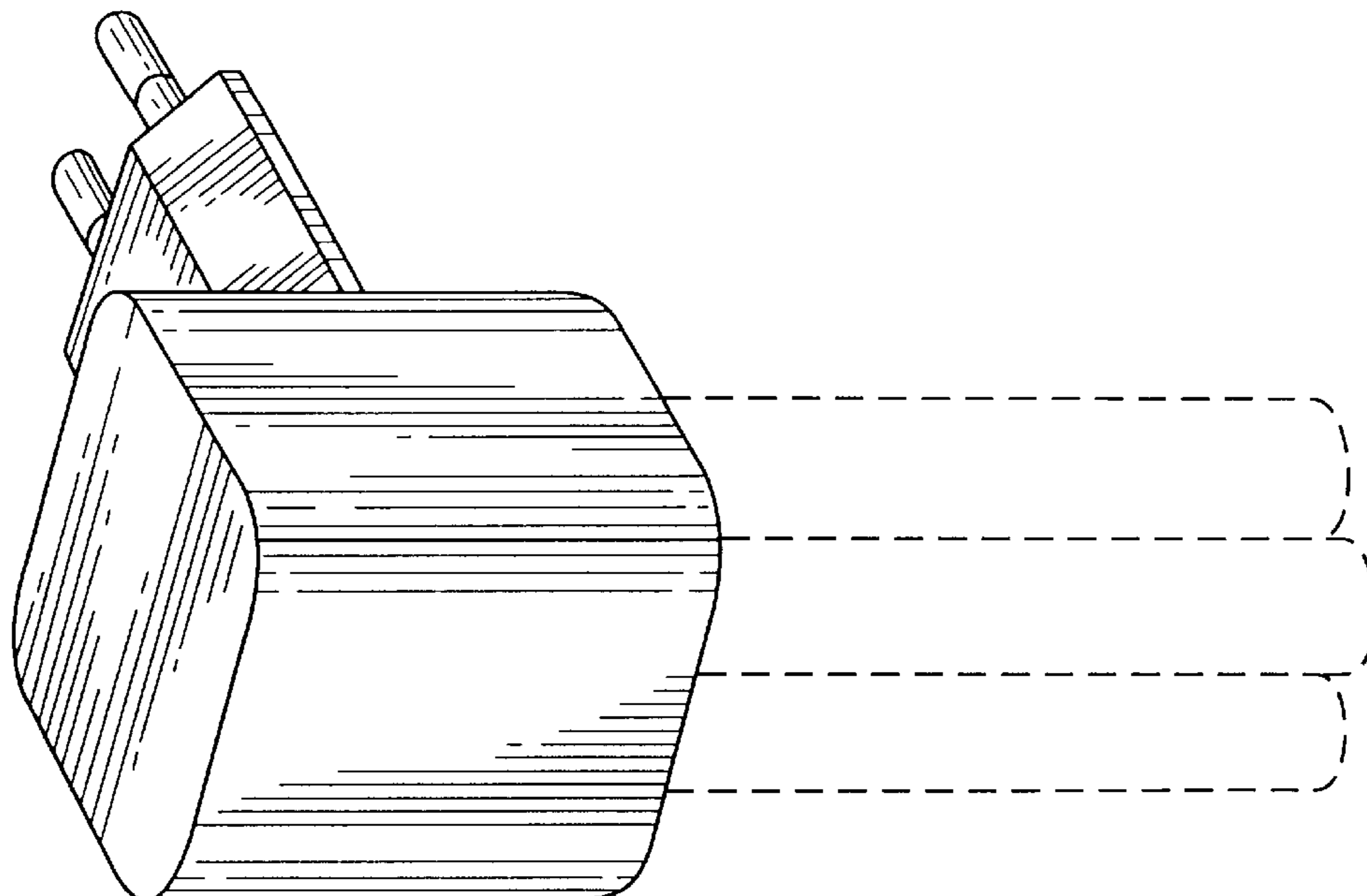
FIG. 4 is rear, perspective view of the second embodiment shown in a different environment;

FIG. 5 is a rear, perspective view of the third embodiment of a lamp socket showing my new design; and,

FIG. 6 is rear, perspective view of the third embodiment shown in a different environment.

The broken line showings for the lamp bulbs are for environmental purposes only and form no part of the claimed design.

1 Claim, 3 Drawing Sheets



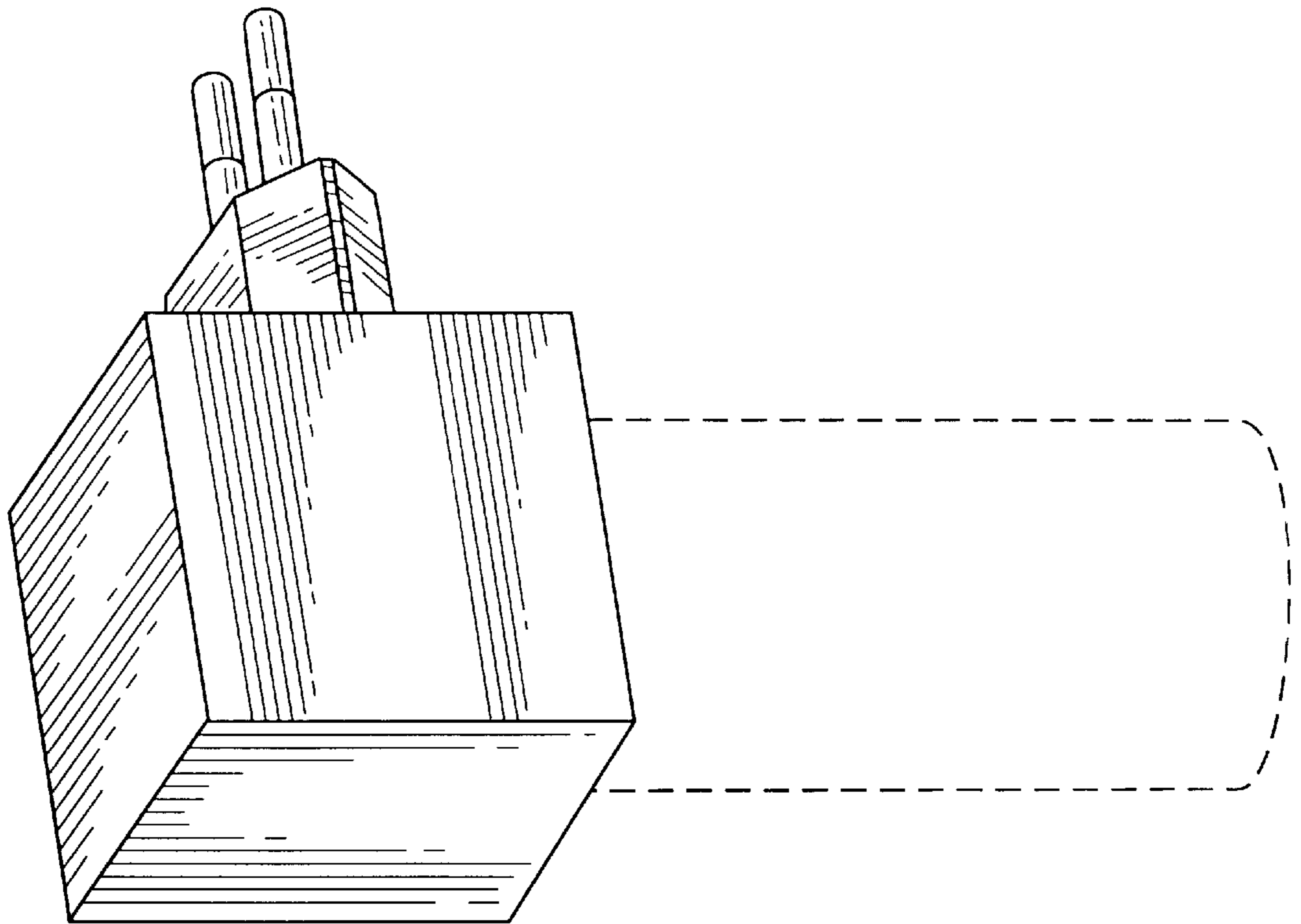


FIG. 1

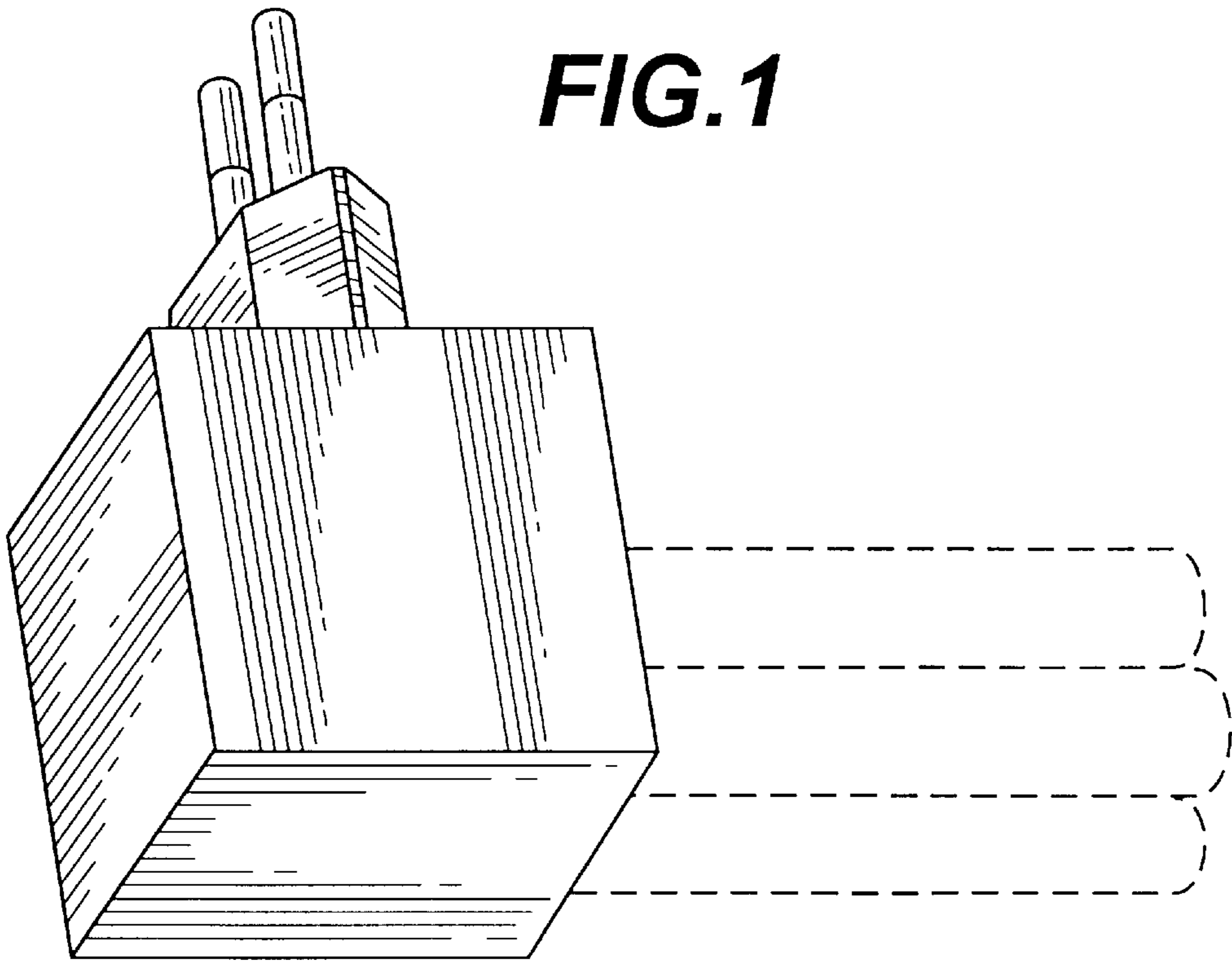


FIG. 2

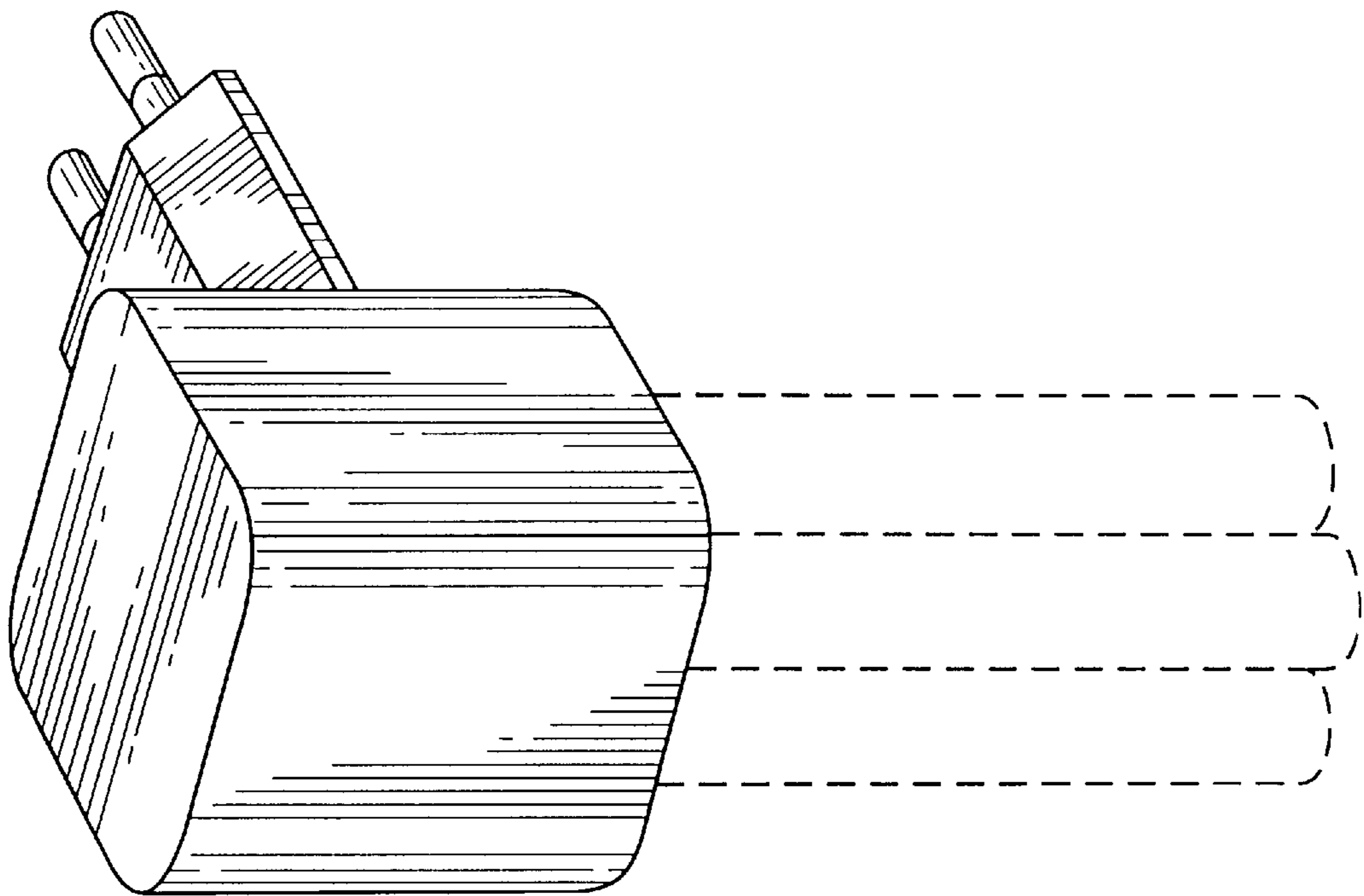


FIG. 3

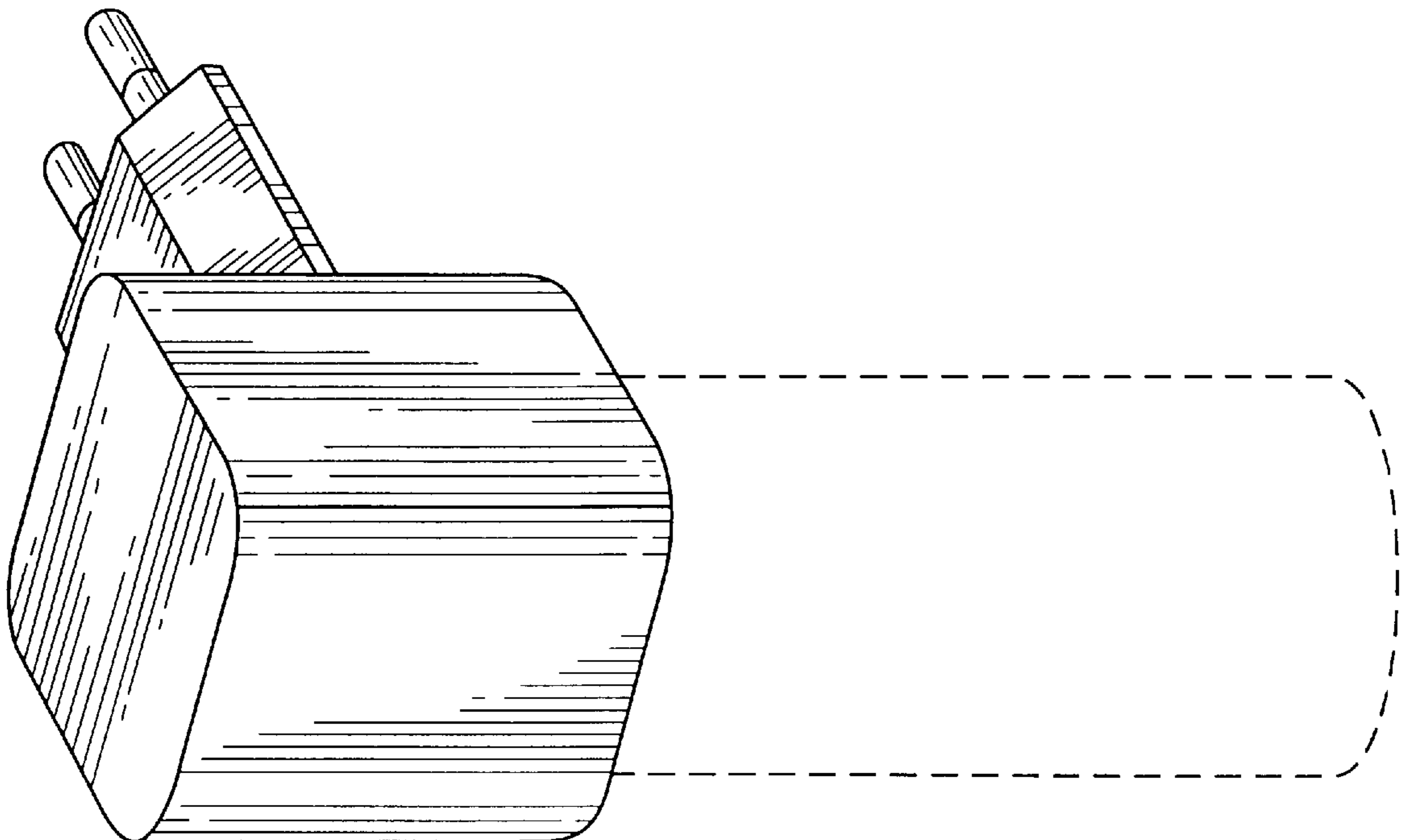


FIG. 4

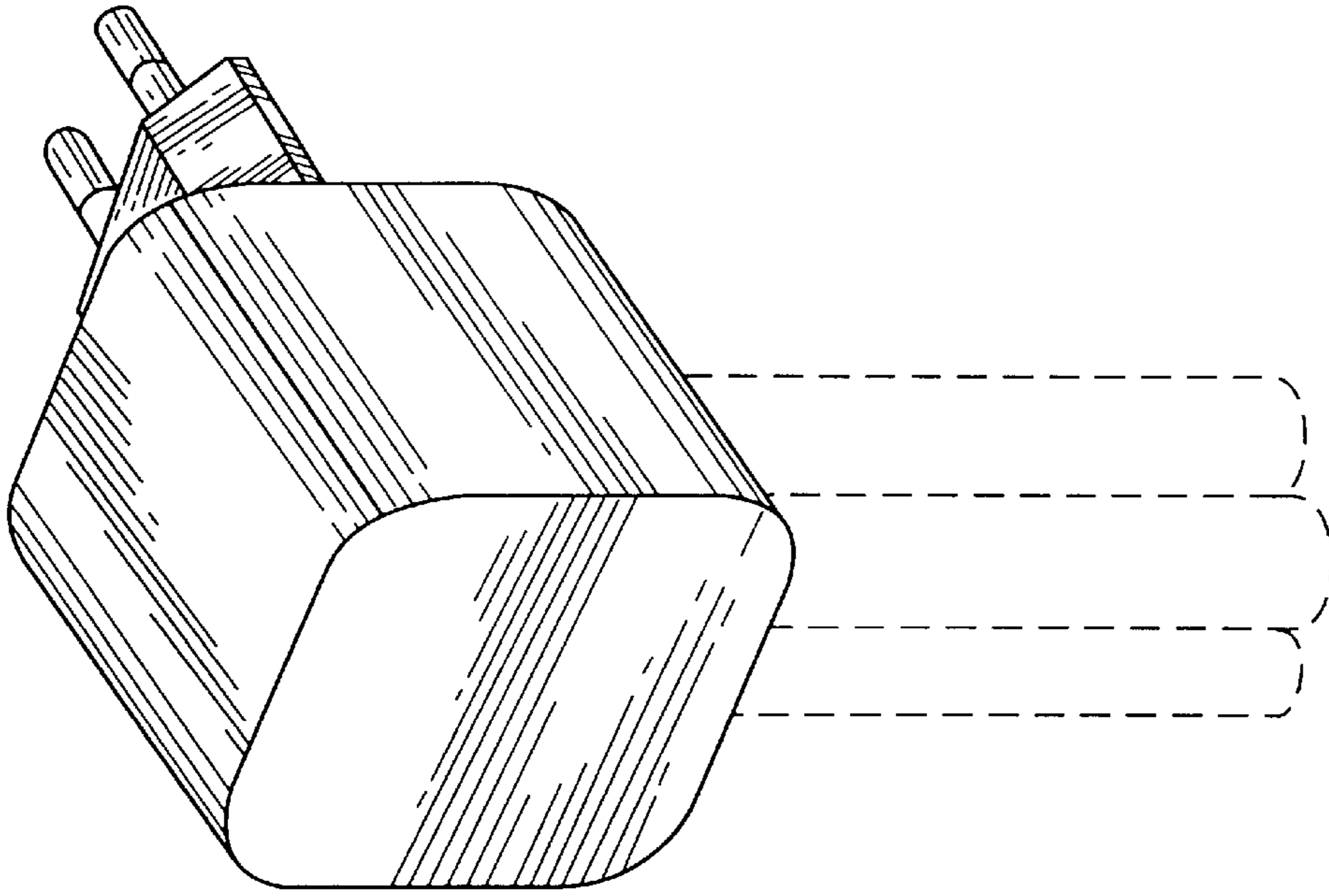


FIG. 5

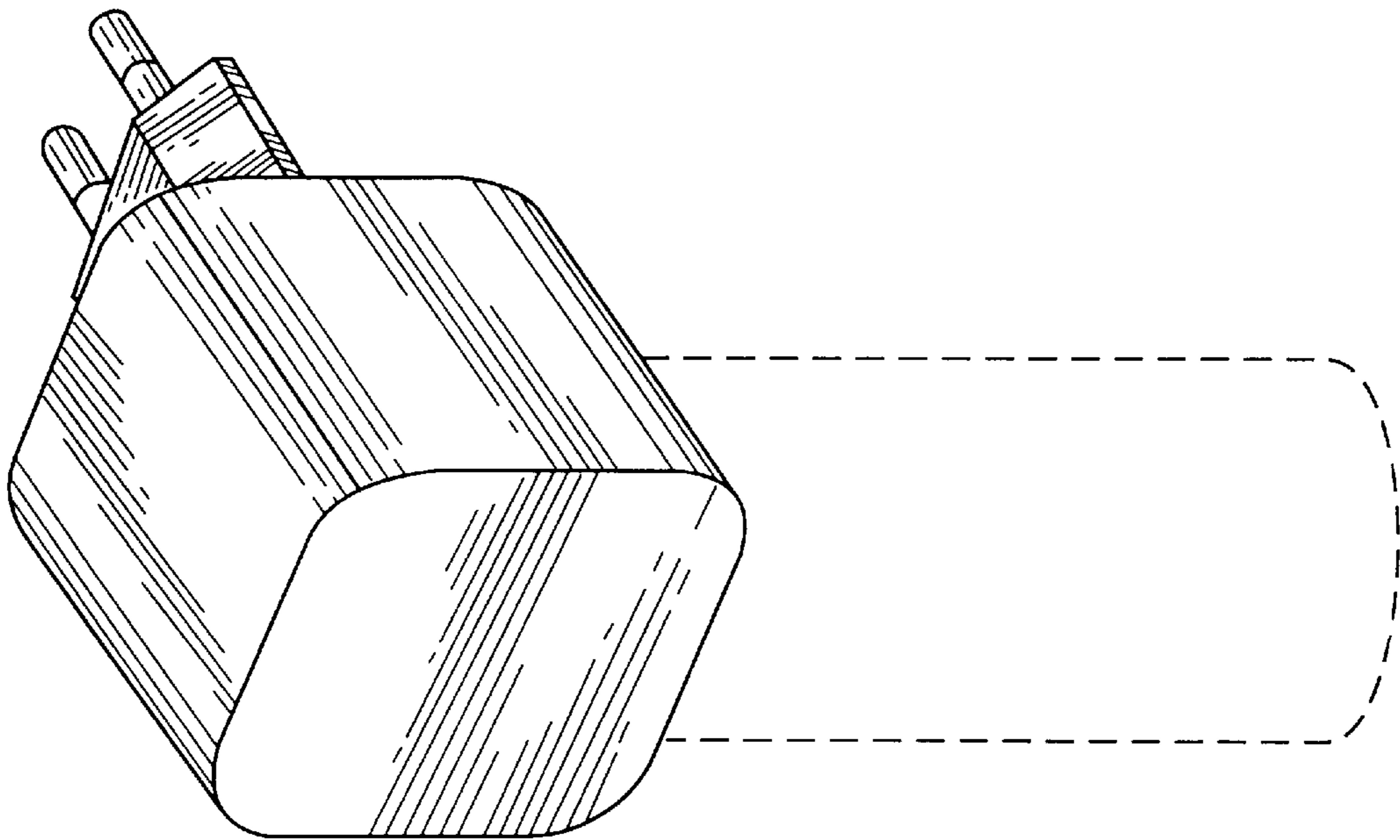


FIG. 6