



US00D436076S

(12) **United States Design Patent**
Montena

(10) **Patent No.:** **US D436,076 S**

(45) **Date of Patent:** **** Jan. 9, 2001**

(54) **OPEN COMPRESSION-TYPE COAXIAL
CABLE CONNECTOR**

(75) **Inventor:** **Noah P. Montena**, Syracuse, NY (US)

(73) **Assignee:** **John Mezzalingua Associates, Inc.**,
East Syracuse, NY (US)

(**) **Term:** **14 Years**

(21) **Appl. No.:** **29/122,509**

(22) **Filed:** **Apr. 28, 2000**

Related U.S. Application Data

(63) Continuation of application No. 08/910,509, filed on Aug. 2, 1997.

(51) **LOC (7) Cl.** **13-03**

(52) **U.S. Cl.** **D13/133; D13/151**

(58) **Field of Search** **D13/133, 149,
D13/151; 439/578, 583, 584, 585**

(56) **References Cited**

U.S. PATENT DOCUMENTS

2,258,737	10/1941	Browns	173/332
3,184,706	5/1965	Atkins	339/177
3,275,913	9/1966	Blanchard	.
3,355,698	11/1967	Keller	339/97
3,406,373	10/1968	Forney, Jr.	.
3,498,647	3/1970	Schroder	275/343
3,629,792	12/1971	Dorrell	339/60
3,671,922	6/1972	Zerline et al.	339/74
3,710,005	1/1973	French	174/89
3,845,453	10/1974	Hemmer	339/59
3,915,539	10/1975	Collins	339/94
3,936,132	2/1976	Hutter	339/130
3,985,418	10/1976	Spinner	.
4,046,451	9/1977	Juds et al.	339/177
4,053,200	10/1977	Pugner	339/177
4,059,330	11/1977	Shirey	.
4,126,372	11/1978	Hashimoto et al.	339/177
4,168,921	9/1979	Blanchard	.
4,227,765	10/1980	Neumann et al.	339/143
4,280,749	7/1981	Hemmer	339/177

4,339,166	7/1982	Dayton	339/100
4,346,958	8/1982	Blanchard	.
4,373,767	2/1983	Cairns	339/94
4,400,050	8/1983	Hayward	339/177
4,408,822	10/1983	Nikitas	339/177
4,444,453	4/1984	Kirby et al.	339/177

(List continued on next page.)

FOREIGN PATENT DOCUMENTS

1 191 880	4/1954	(DE)	.
32 11 008	10/1983	(DE)	.
1087 228	10/1967	(GB)	.
1270846	4/1972	(GB)	.
2079 549A	1/1982	(GB)	.

OTHER PUBLICATIONS

Raychem Promotional Materials: "The EZF connector is the easy way to fight RFleakage, moisture damage and corrosion," production numbers LRC 1447-1460.

* cited by examiner

Primary Examiner—Joel Sincavage

(74) *Attorney, Agent, or Firm*—Pennie & Edmonds LLP

(57) **CLAIM**

The ornamental design for an open compression-type coaxial cable connector, as shown and described.

DESCRIPTION

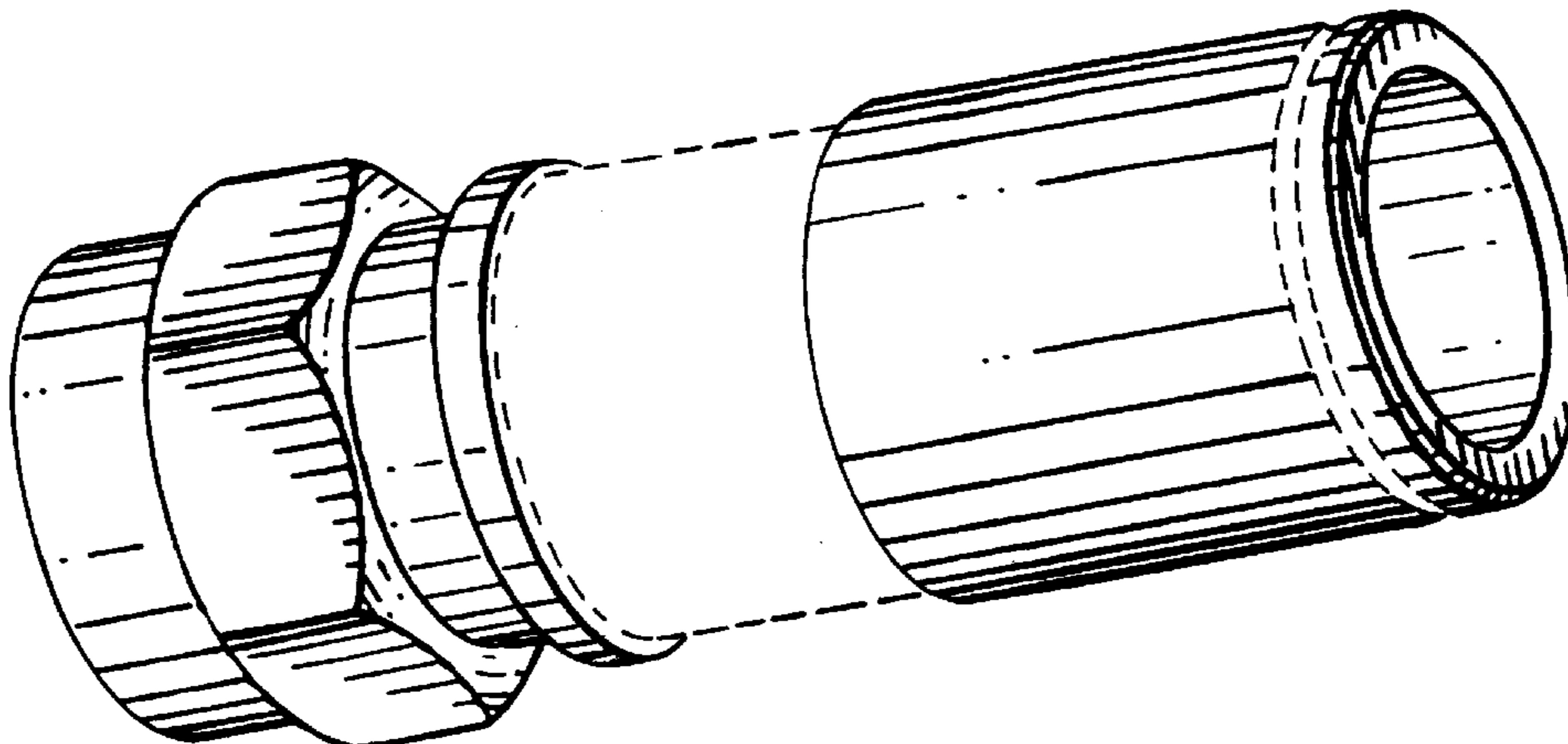
FIG. 1 is a perspective view of an open compression-type coaxial cable connector according to the present invention; FIG. 2 is a side view thereof, all other side views being a mirror image thereof;

FIG. 3 is a bottom view thereof; and,

FIG. 4 is a top view thereof.

As is illustrated by the broken lines in FIGS. 1 and 2, applicant is not presently claiming the indentation on the outer component. As is illustrated by the broken lines in FIGS. 1 and 2, applicant is also not presently claiming any surface configuration or ornamentation for the inner component that accepts the outer component. Finally, as illustrated by FIGS. 3 and 4, applicant is also not presently claiming any features of the inside of the connector as viewable from the bottom or top views of the connector.

1 Claim, 1 Drawing Sheet



US D436,076 S

Page 2

U.S. PATENT DOCUMENTS			
4,484,792	11/1984	Tengler et al.	339/143
4,533,191	8/1985	Blackwood	339/31
4,545,637	10/1985	Bosshard et al.	339/177
4,575,274	3/1986	Hayward	403/2
4,583,811	4/1986	McMills	339/177
4,596,435	6/1986	Bickford	339/177
4,600,263	7/1986	DeChamp et al.	339/17
4,614,390	9/1986	Baker	339/61
4,645,281	2/1987	Burger .	
4,650,228	3/1987	McMills et al. .	
4,655,159	4/1987	McMills	116/212
4,660,921	4/1987	Hauver .	
4,668,043	5/1987	Saba et al.	339/177
4,674,818	6/1987	McMills et al. .	
4,676,577	6/1987	Szegda	439/584
4,691,976	9/1987	Cowen .	
4,738,009	4/1988	Down .	
4,746,305	5/1988	Nomura	439/319
4,747,786	5/1988	Hayashi et al.	439/95
4,755,152	7/1988	Elliot et al.	439/452
4,806,116	2/1989	Ackerman	439/304
4,813,886	3/1989	Roos et al.	439/578
4,834,675	5/1989	Samchisen	439/578
4,854,893	8/1989	Morris	439/578
4,857,014	8/1989	Alf et al.	439/578
4,869,679	9/1989	Szegda .	
4,892,275	1/1990	Szegda .	
4,902,246	2/1990	Samchisen	439/578
4,906,207	3/1990	Banning et al.	439/578
4,923,412	5/1990	Morris	439/578
4,925,403	5/1990	Zorzy	439/578
4,929,188	5/1990	Lionetto et al.	439/349
4,990,104	2/1991	Schieferly	439/578
4,990,105	2/1991	Karlovich	439/578
4,990,106	2/1991	Szegda	439/585
5,002,503	3/1991	Campbell et al.	439/578
5,021,010	6/1991	Wright	439/578
5,024,606	6/1991	Ming-Hwa	439/578
5,037,328	8/1991	Karlovich	439/578
5,062,804	11/1991	Jamet et al.	439/394
		5,066,248	11/1991
		5,073,129	12/1991
		5,083,943	1/1992
		5,127,853	7/1992
		5,131,862	7/1992
		5,141,451	8/1992
		5,181,161	1/1993
		5,195,906	3/1993
		5,205,761	4/1993
		5,207,602	5/1993
		5,217,391	6/1993
		5,217,393	6/1993
		5,269,701	12/1993
		5,283,853	2/1994
		5,295,864	3/1994
		5,316,494	5/1994
		5,342,218	8/1994
		5,371,819	12/1994
		5,371,821	12/1994
		5,371,827	12/1994
		5,393,244	2/1995
		5,431,583	7/1995
		5,444,810	8/1995
		5,455,548	10/1995
		5,456,611	10/1995
		5,456,614	10/1995
		5,466,173	11/1995
		5,470,257	11/1995
		5,494,454	2/1996
		5,501,616	3/1996
		5,525,076 *	6/1996
		5,542,861	8/1996
		5,548,088	8/1996
		5,598,132	1/1997
		5,651,699	7/1997
		5,667,405	9/1997
		5,975,951	11/1999
		5,997,350	12/1999
		6,032,358	3/2000
		6,102,737 *	8/2000
		Gaver .	
		Szegda	439/585
		Tarrant	439/583
		McMills et al.	439/578
		Gershfeld	439/357
		Down	439/585
		Hirose et al. .	
		Szegda .	
		Nilsson	439/578
		McMills et al.	439/836
		Fisher, Jr.	439/578
		Del Negro et al.	439/585
		Leibfried, Jr.	439/578
		Szegda .	
		Birch et al.	439/578
		Flanagan et al.	439/352
		McMills et al.	439/578
		Szegda .	
		Szegda .	
		Szegda .	
		Szegda .	
		Szegda .	
		Szegda .	
		Szegda .	
		Szegda .	
		Grandchamp et al.	333/260
		Henry et al.	439/180
		Szegda .	
		Down	439/584
		Szegda	439/578
		Johnsen	439/394
		Holliday	439/585
		Down	439/585
		Anhalt et al.	439/578
		Gray et al.	174/74
		Stabile .	
		Holliday	439/585
		Holliday	439/585
		Burriss et al.	439/585
		Burriss et al.	439/585
		Wild	29/863
		Gohdes	439/583

FIG. 1

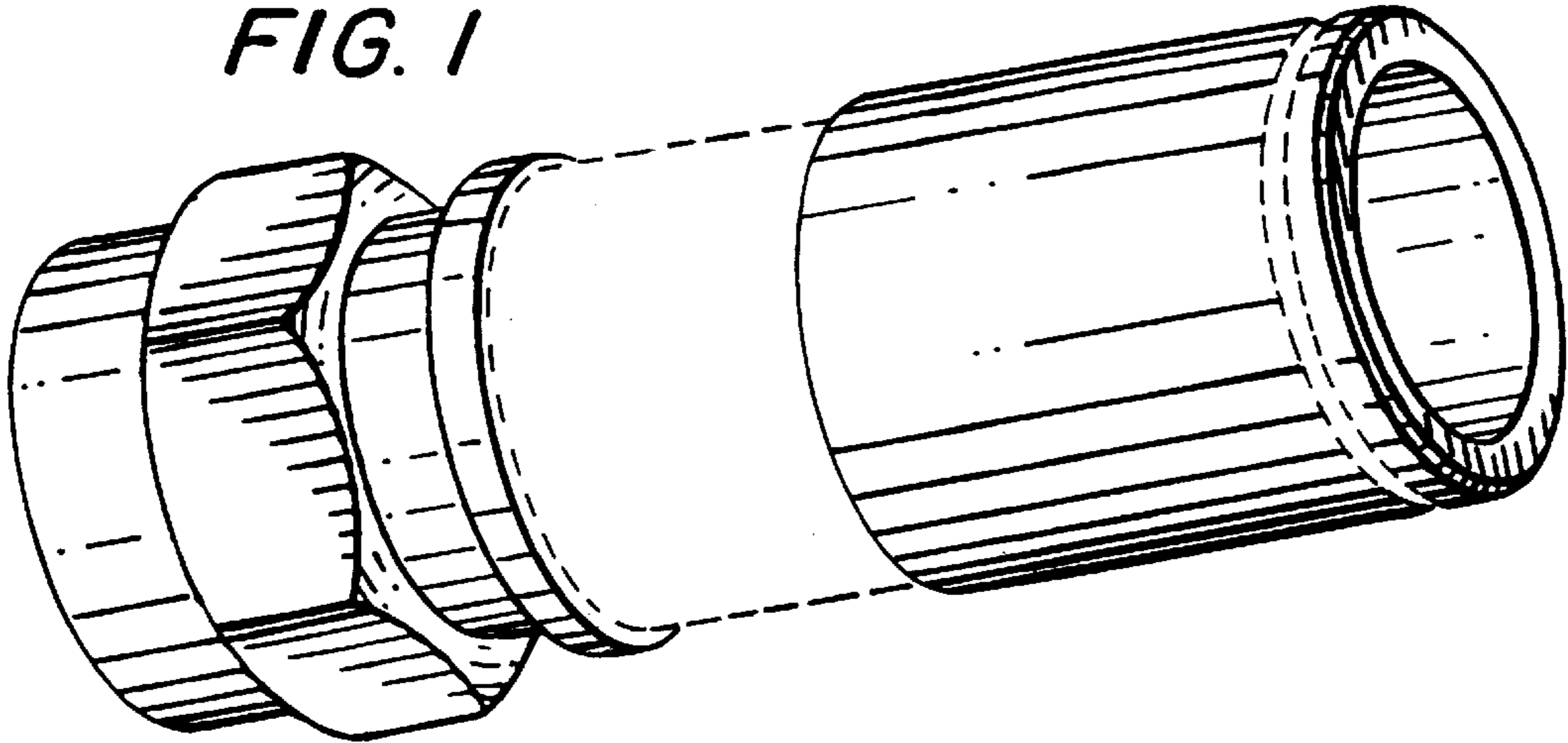


FIG. 2

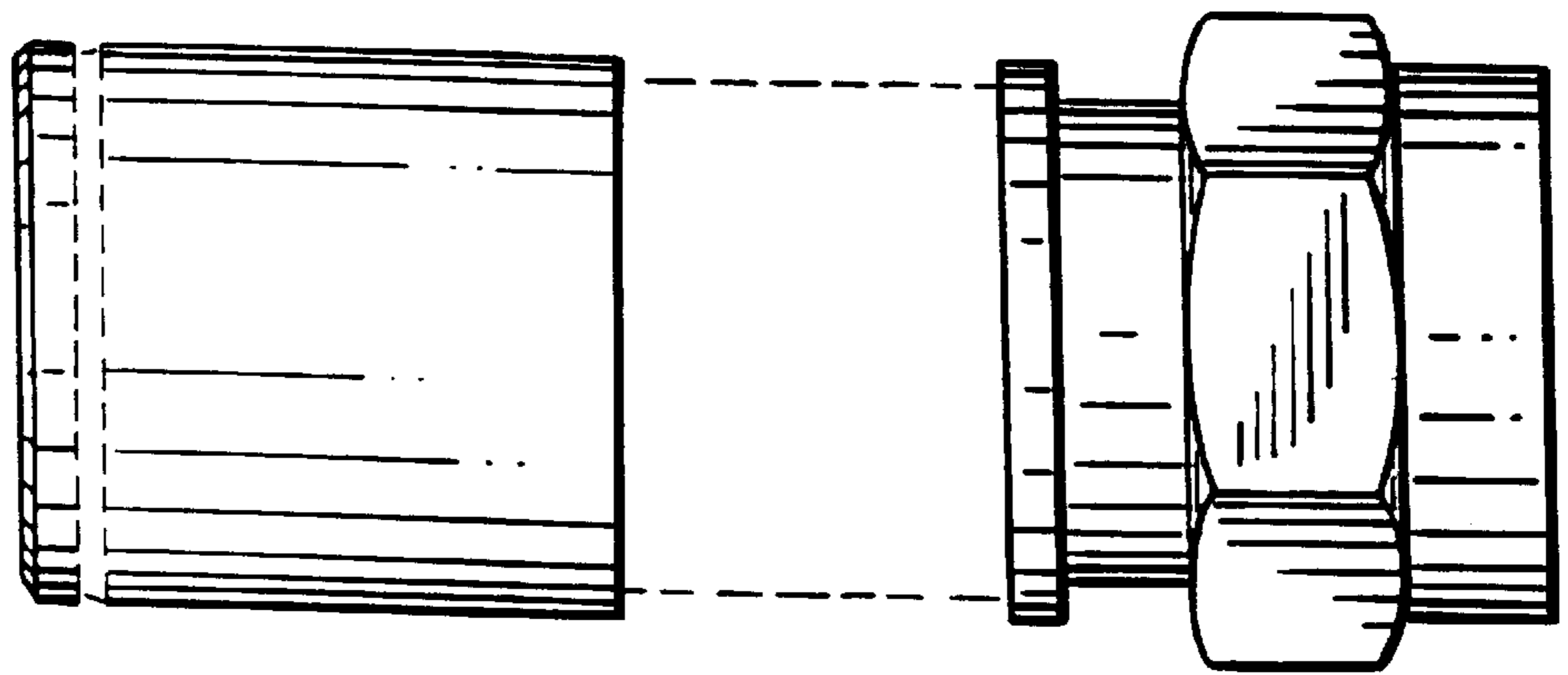


FIG. 3

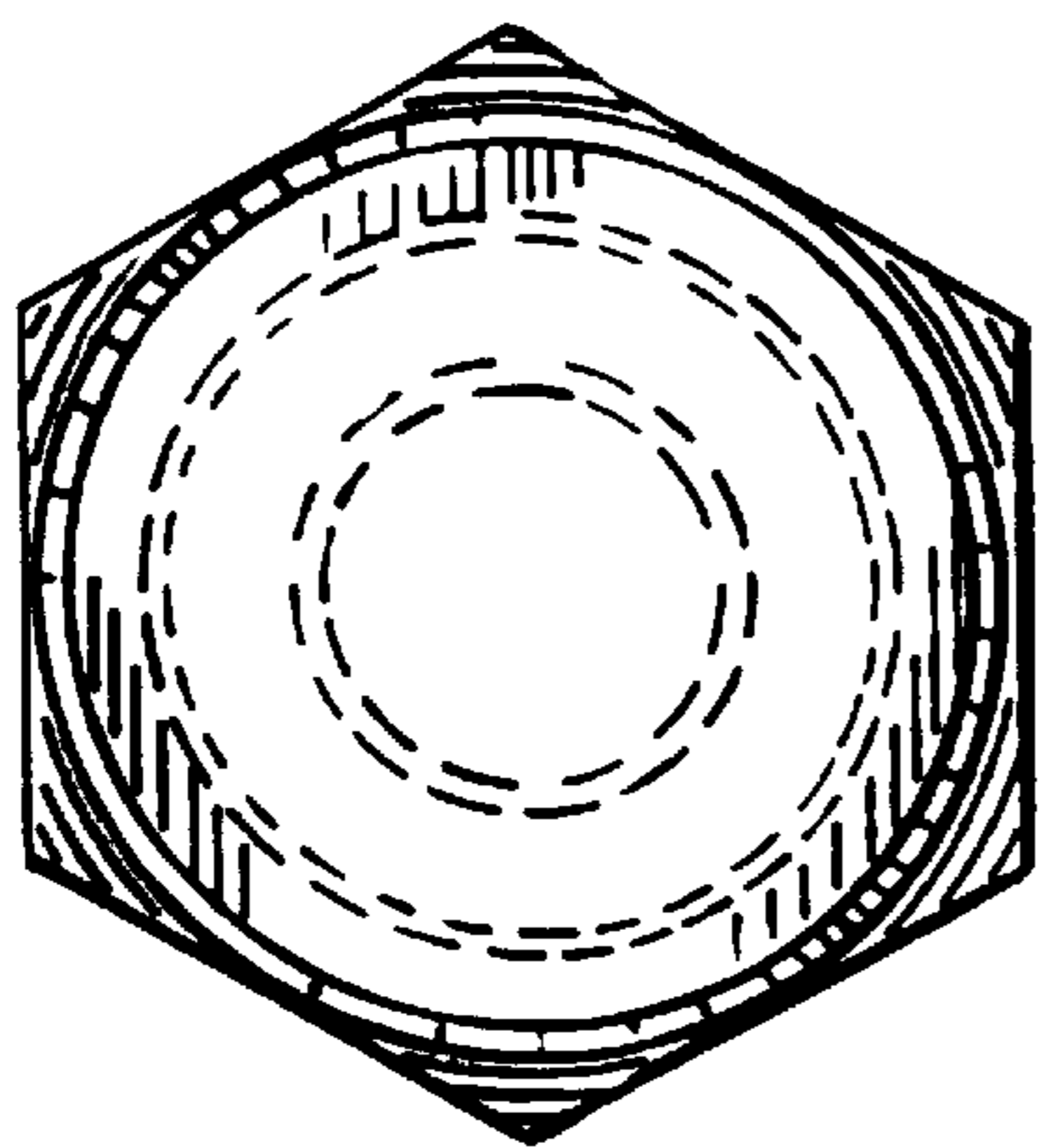


FIG. 4

