



US00D436074S

(12) **United States Design Patent**
McCoy et al.

(10) **Patent No.:** **US D436,074 S**

(45) **Date of Patent:** **** Jan. 9, 2001**

(54) **HITCH MOUNTABLE BIKE RACK**

(75) Inventors: **Richard W. McCoy**, Granger;
Katherine A. Adams, Mishawaka;
Thomas W. Lindenman, South Bend,
all of IN (US)

(73) Assignee: **Reese Products, Inc.**, Elkhart, IN (US)

(**) Term: **14 Years**

(21) Appl. No.: **29/113,162**

(22) Filed: **Oct. 29, 1999**

(51) **LOC (7) Cl.** **12-16**

(52) **U.S. Cl.** **D12/407**

(58) **Field of Search** D12/408, 406;
224/532, 533, 527, 537, 511, 502, 504,
924; 248/127, 153

(56) **References Cited**

U.S. PATENT DOCUMENTS

- D. 377,334 * 1/1997 Weiler D12/408
- D. 399,480 * 10/1998 Brungardt et al. D12/408

- D. 410,891 * 6/1999 Adams et al. D12/408
- D. 415,097 * 10/1999 Adams et al. D12/408
- 5,489,110 * 2/1996 Van Dusen 224/924
- 5,690,260 * 11/1997 Aikins et al. 224/504

* cited by examiner

Primary Examiner—Melody N. Brown

(74) *Attorney, Agent, or Firm*—Leon E. Redman; Lloyd D. Doigan

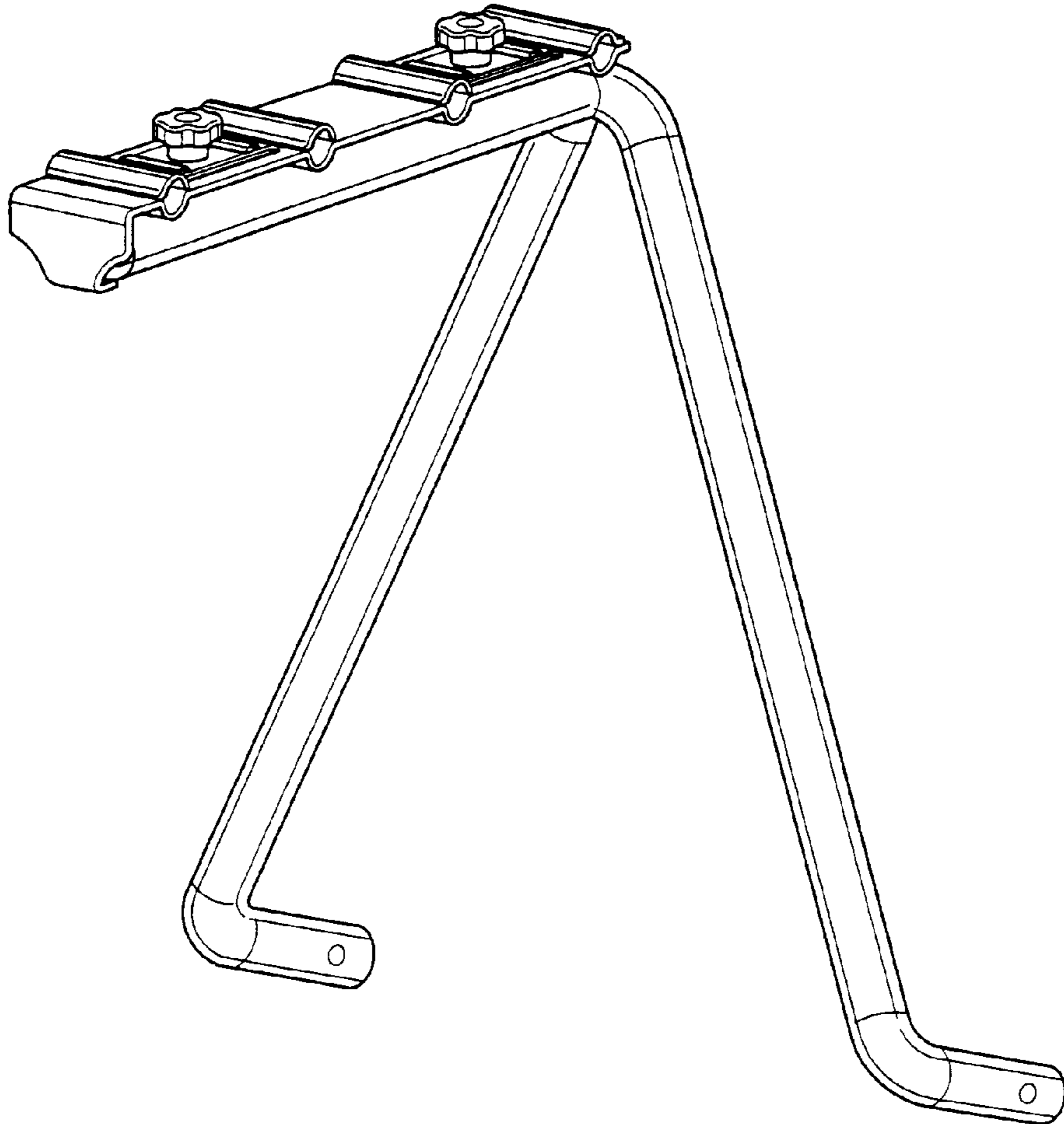
(57) **CLAIM**

The ornamental design for a hitch mountable bike rack, as shown and described.

DESCRIPTION

FIG. 1 is a perspective view of the hitch mountable bike rack showing our new design;
FIG. 2 is a top plan view thereof;
FIG. 3 is a rear elevational view thereof;
FIG. 4 is a bottom plan view thereof;
FIG. 5 is a left side elevational view thereof, the right side being a mirror image of the left shown; and,
FIG. 6 is a front elevational view thereof.

1 Claim, 3 Drawing Sheets



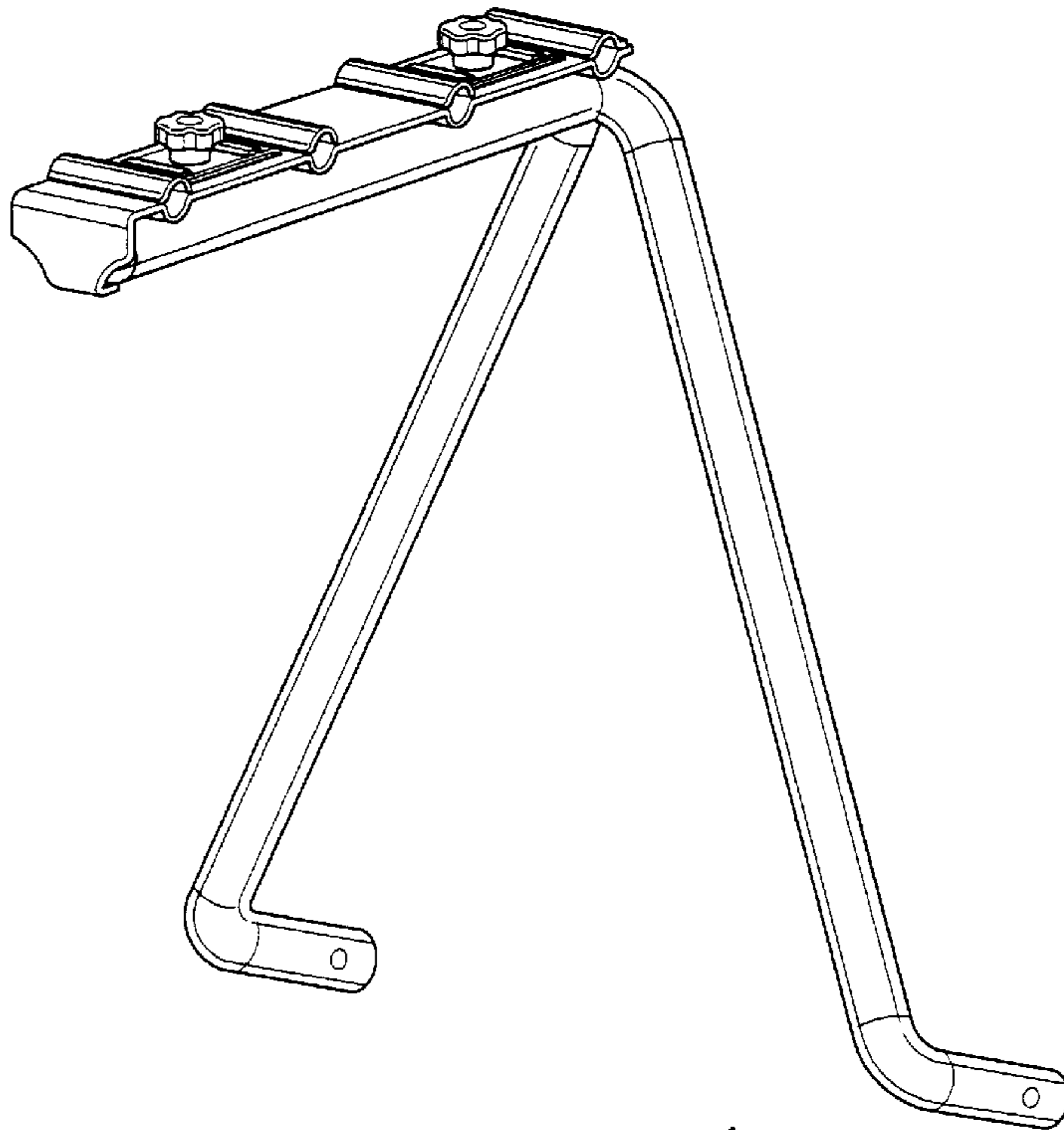


Fig-1

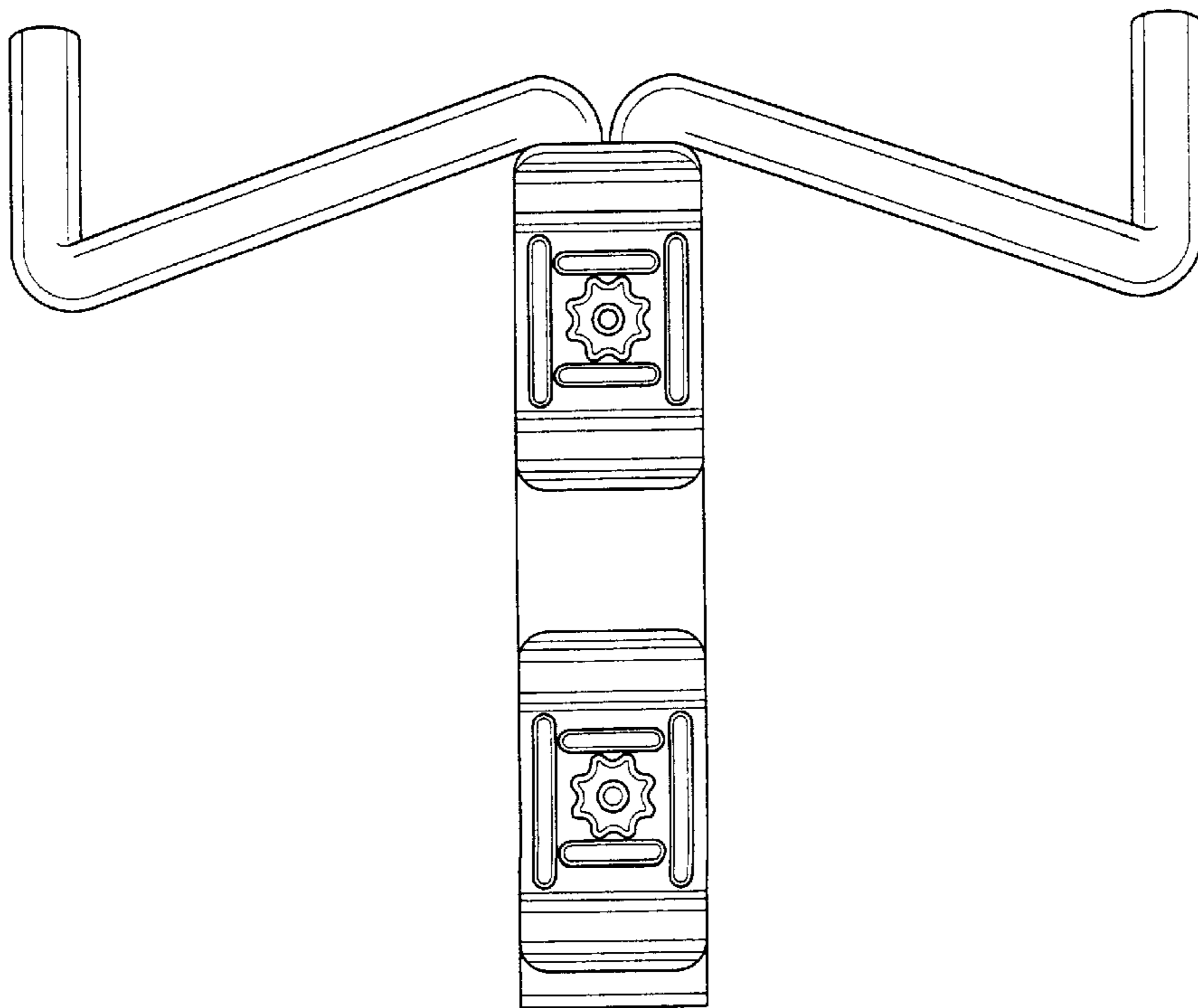


Fig-2

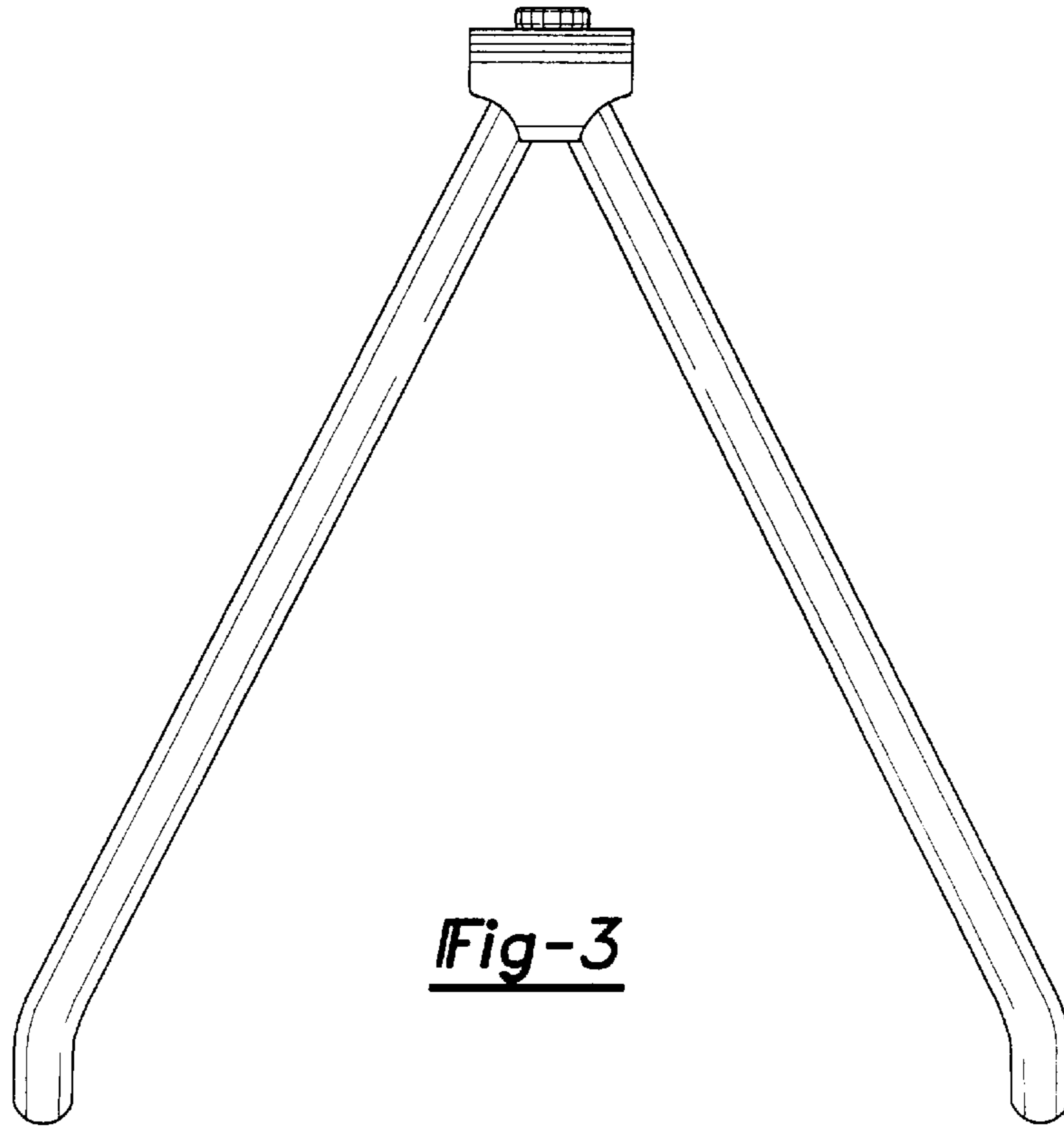


Fig-3

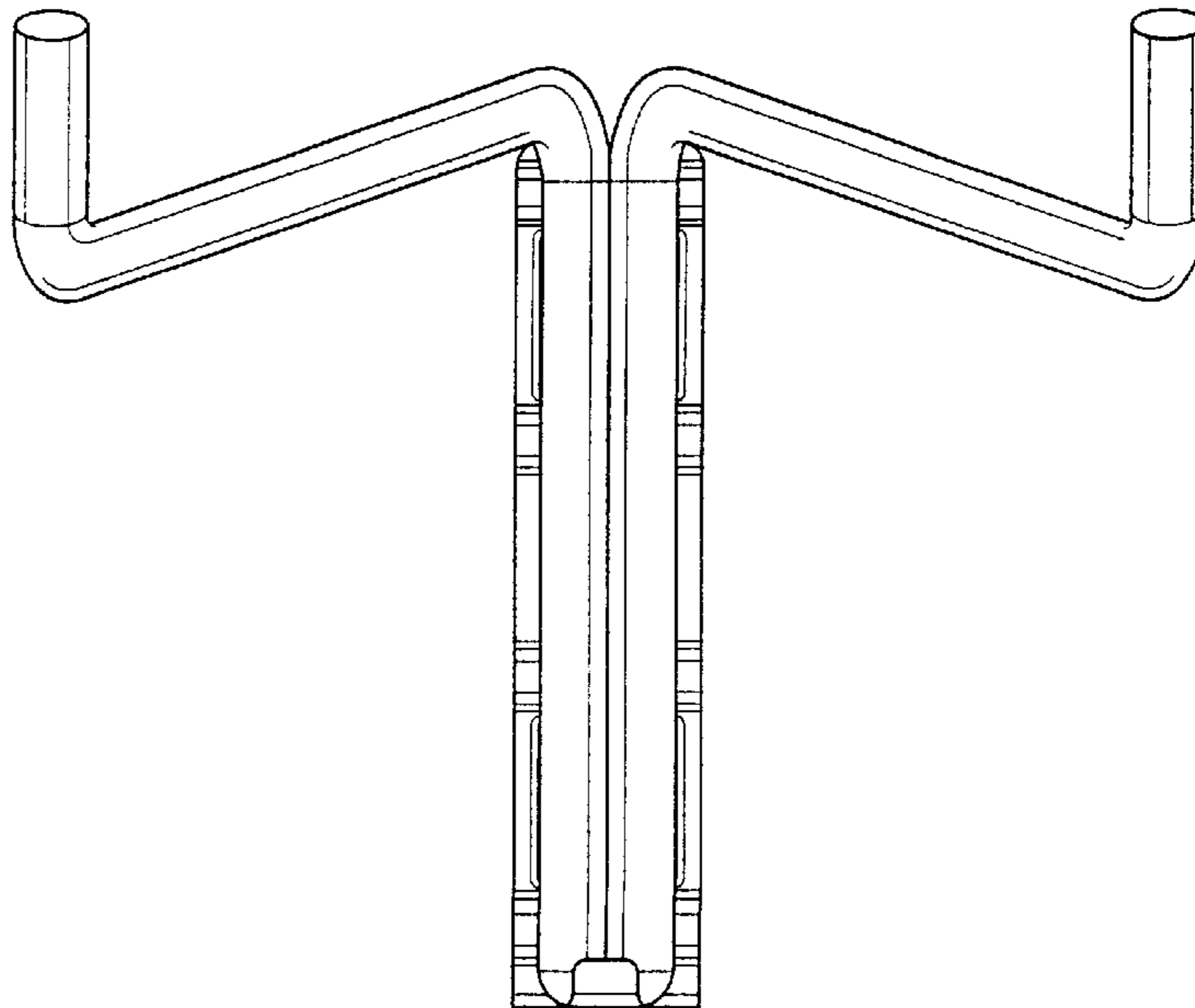


Fig-4

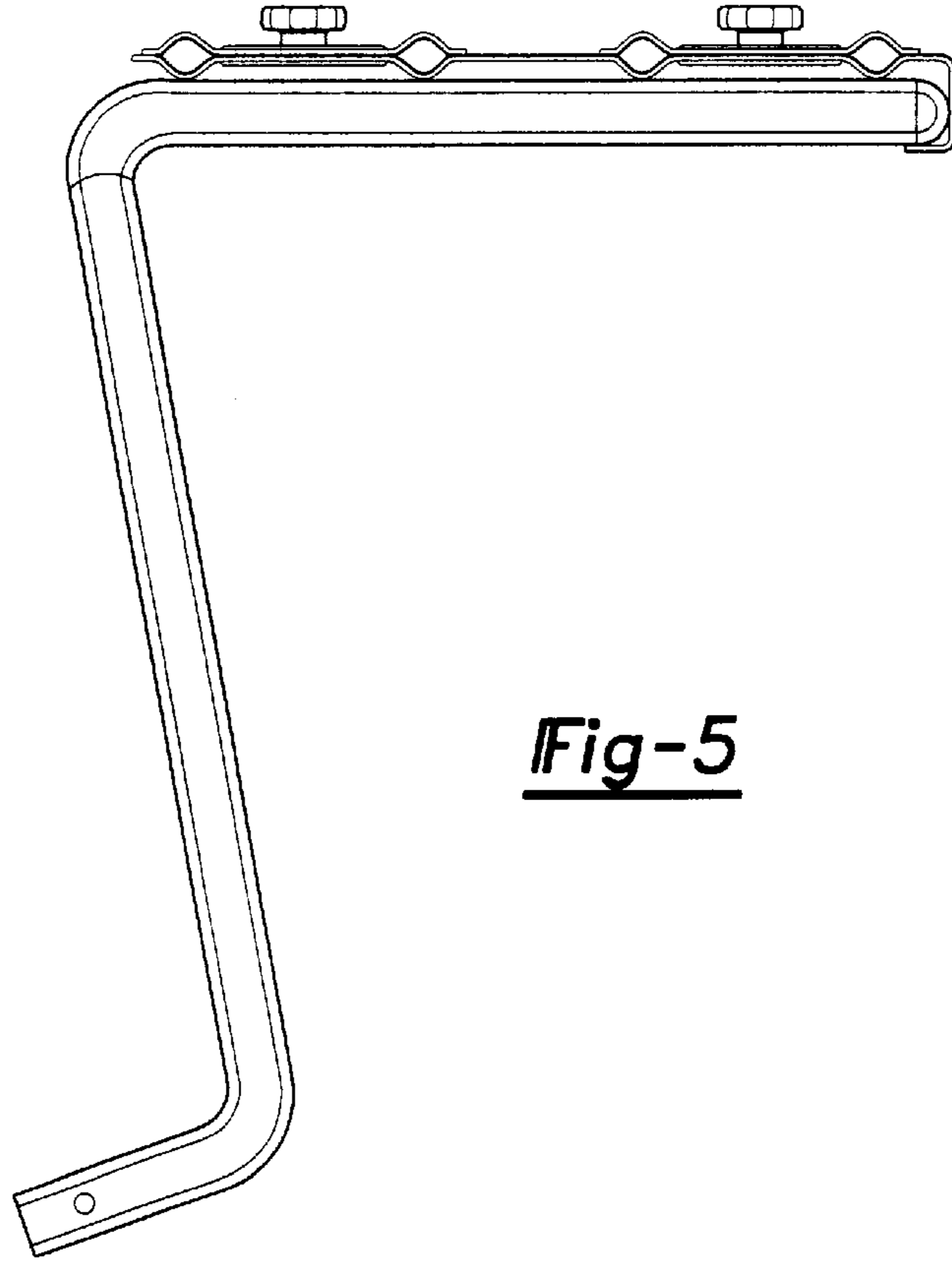


Fig-5

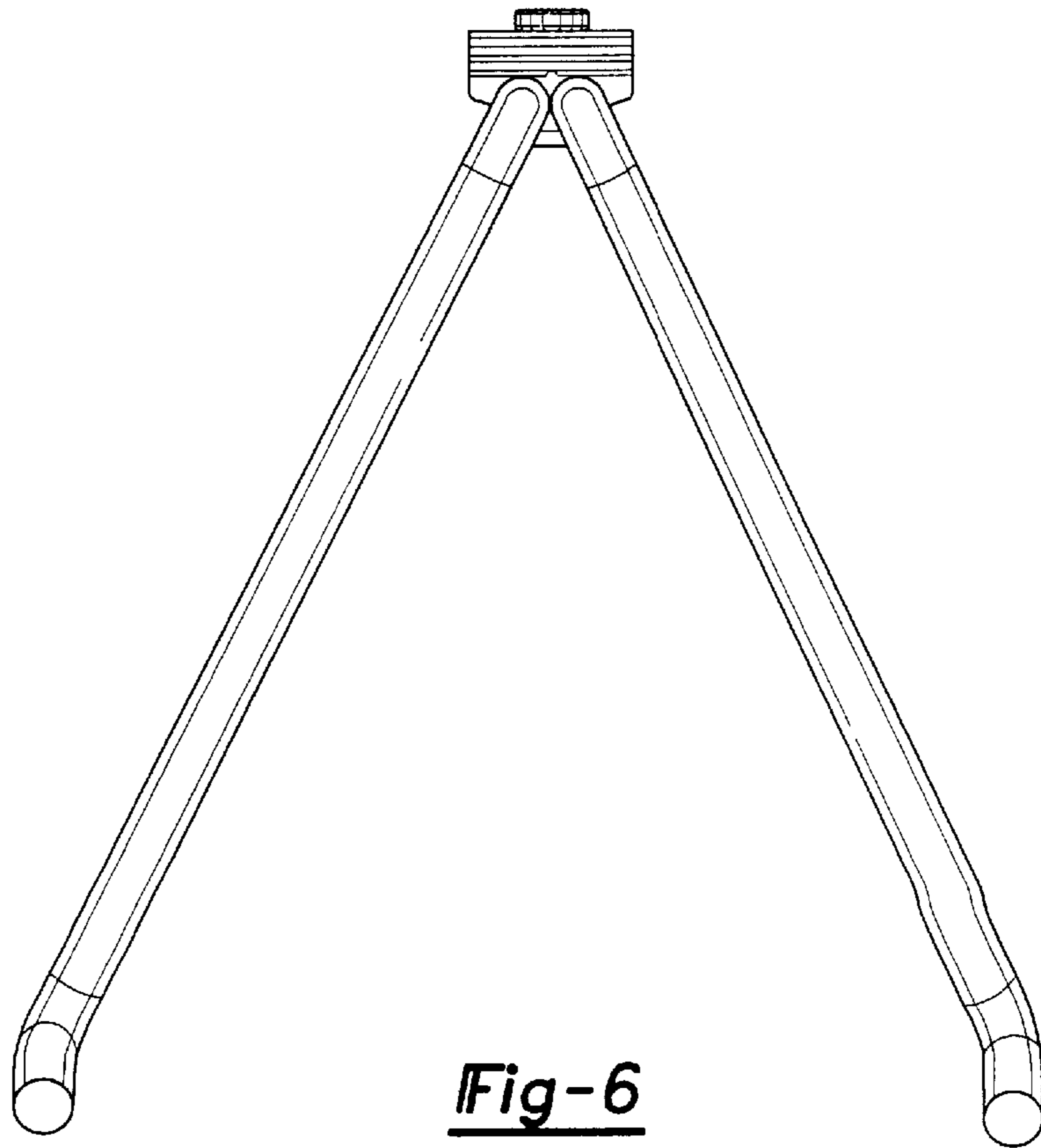


Fig-6