



US00D436073S

**(12) United States Design Patent**  
**Peterson**

**(10) Patent No.: US D436,073 S**

**(45) Date of Patent: \*\* Jan. 9, 2001**

(54) **INFLATABLE TOWABLE VEHICLE**

D. 428,093 \* 7/2000 Peterson ..... D21/803  
D. 428,095 \* 7/2000 Peterson ..... D21/803

(75) Inventor: **Leroy L. Peterson**, Omaha, NE (US)

\* cited by examiner

(73) Assignee: **Sportsstuff Inc.**, Omaha, NE (US)

*Primary Examiner*—Kay H. Chin

(\*\*) Term: **14 Years**

(74) *Attorney, Agent, or Firm*—Henderson & Sturm LLP

(21) Appl. No.: **29/123,505**

(57) **CLAIM**

(22) Filed: **May 18, 2000**

The ornamental design for an inflatable towable vehicle, as shown and described.

(51) **LOC (7) Cl.** ..... **12-06**

**DESCRIPTION**

(52) **U.S. Cl.** ..... **D12/316; D21/803**

FIG. 1 is a perspective view of the inflatable towable vehicle showing my new design;

(58) **Field of Search** ..... D21/801-811;

FIG. 2 is a top plan view thereof;

D12/300-316; 441/129-132, 88-101, 66;  
297/452.41; 114/345

FIG. 3 is a right side elevational view thereof, the left side elevational view being identical thereto;

(56) **References Cited**

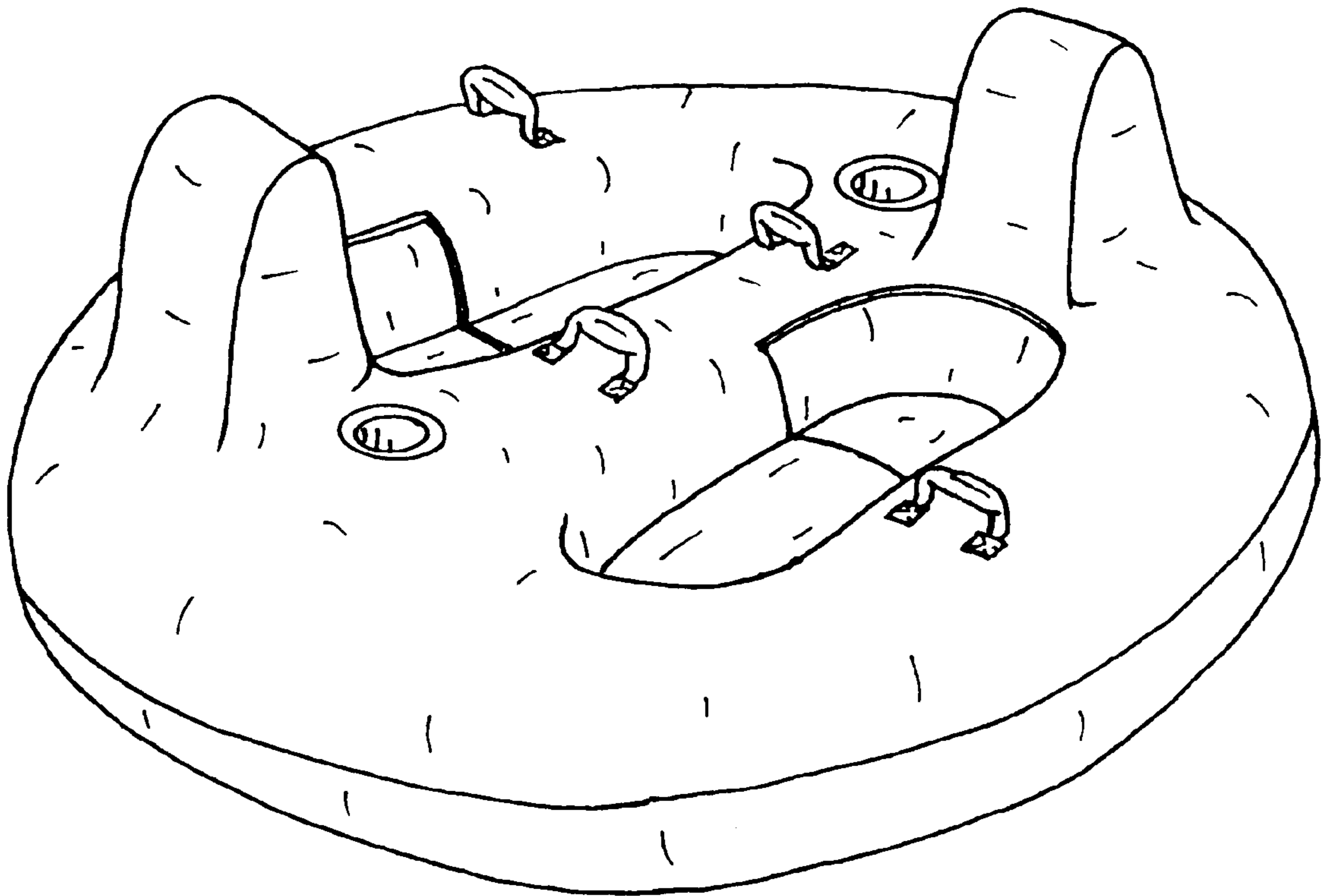
**U.S. PATENT DOCUMENTS**

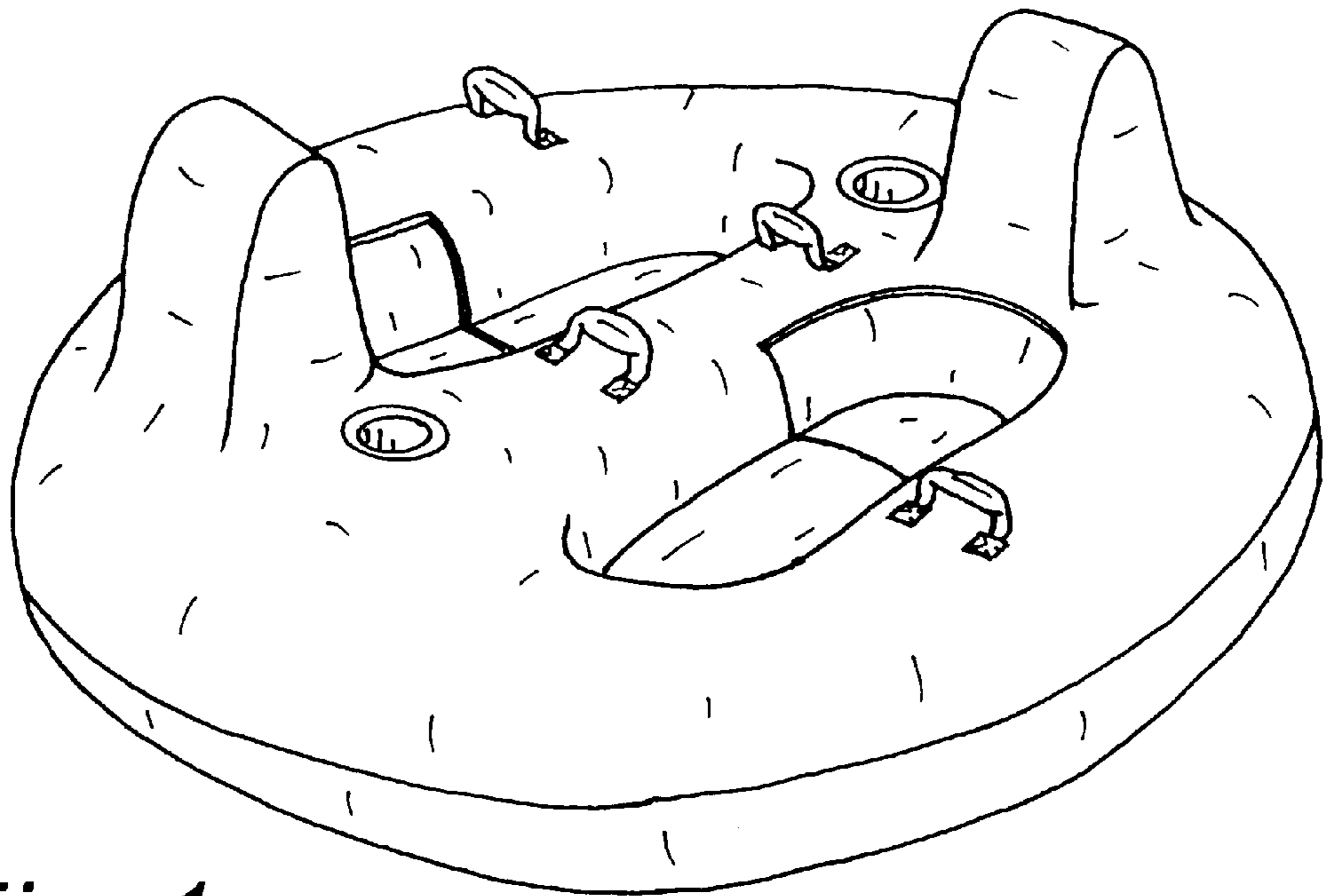
- D. 393,683 \* 4/1998 Song et al. .... D21/803
- D. 407,783 \* 4/1999 Peterson ..... D21/803
- D. 428,091 \* 7/2000 Peterson ..... D21/803

FIG. 4 is a bottom plan view thereof; and,

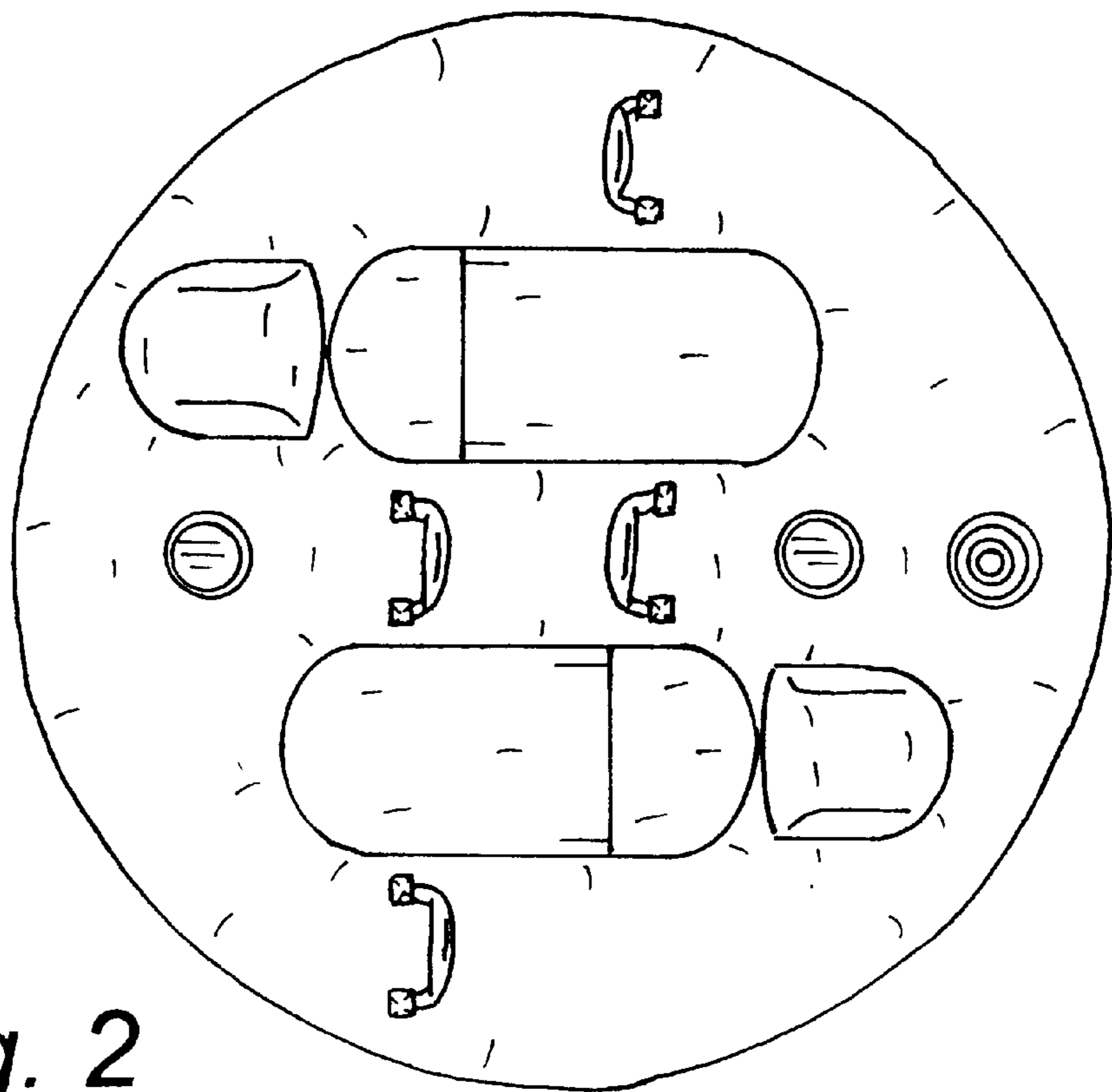
FIG. 5 is a front elevational view thereof, the rear elevational view being identical thereto.

**1 Claim, 2 Drawing Sheets**

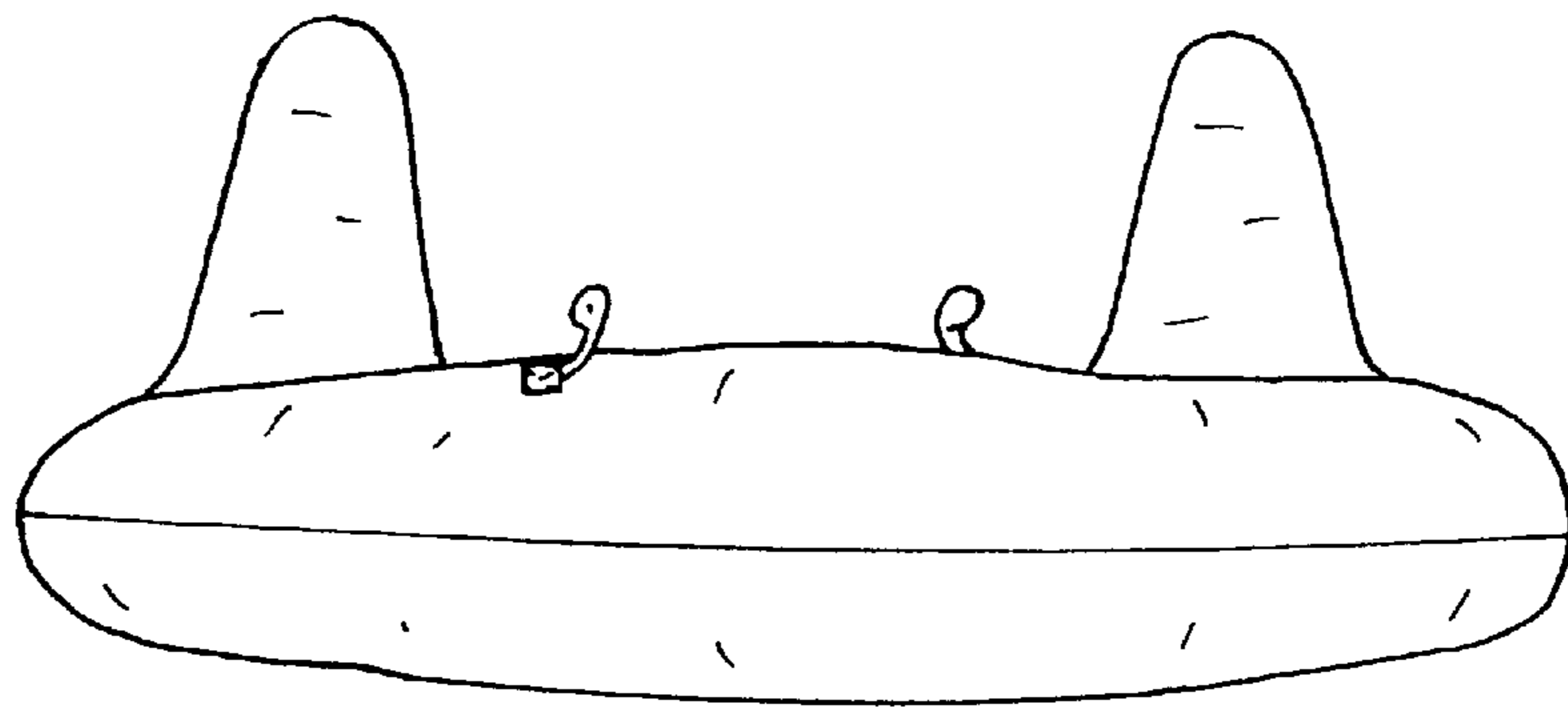




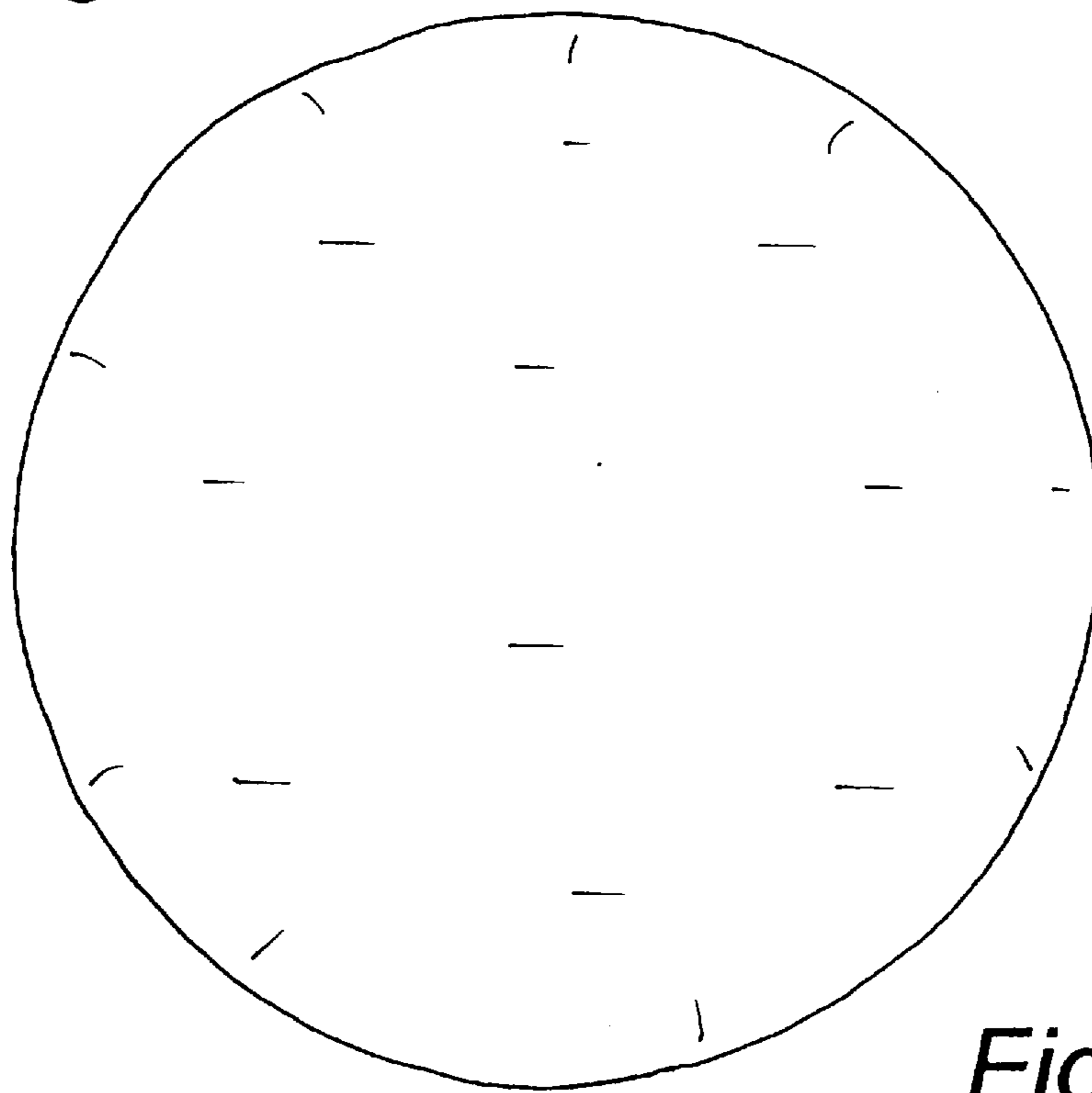
*Fig. 1*



*Fig. 2*



*Fig. 3*



*Fig. 4*

*Fig. 5*

