



US00D436069S

(12) **United States Design Patent**  
**O'Connell**

(10) **Patent No.:** **US D436,069 S**

(45) **Date of Patent:** **\*\* Jan. 9, 2001**

(54) **INSTRUMENT PANEL FOR A VEHICLE**

(75) **Inventor:** **David O'Connell**, Huntington Beach, CA (US)

(73) **Assignee:** **Mitsubishi Jidosha Kogyo Kabushiki Kaisha**, Tokyo (JP)

(\*\*) **Term:** **14 Years**

(21) **Appl. No.:** **29/116,225**

(22) **Filed:** **Dec. 30, 1999**

(51) **LOC (7) Cl.** ..... **12-16**

(52) **U.S. Cl.** ..... **D12/192**

(58) **Field of Search** ..... D12/192, 400, D12/415; 180/90; 280/752; 296/70

(56) **References Cited**

**U.S. PATENT DOCUMENTS**

D. 285,915	*	9/1986	Luthe et al.	.....	D12/192
D. 369,999	*	5/1996	Sacco et al.	.....	D12/192
D. 372,010	*	7/1996	Pfeiffer et al.	.....	D12/192
D. 378,910	*	4/1997	Black et al.	.....	D12/192
D. 389,798	*	1/1998	Ma et al.	.....	D12/192
D. 397,977	*	9/1998	Hellhake et al.	.....	D12/192
D. 403,641	*	1/1999	Sacco et al.	.....	D12/192

D. 405,408	*	2/1999	Yoshida et al.	.....	D12/192
D. 413,095	*	8/1999	Abalos et al.	.....	D12/192
D. 419,936	*	2/2000	Sacco et al.	.....	D12/192
D. 423,434	*	4/2000	Yano et al.	.....	D12/192
D. 423,435	*	4/2000	Sato	.....	D12/192
D. 424,002	*	5/2000	Leschke et al.	.....	D12/192

\* cited by examiner

*Primary Examiner*—Stacia Cadmus

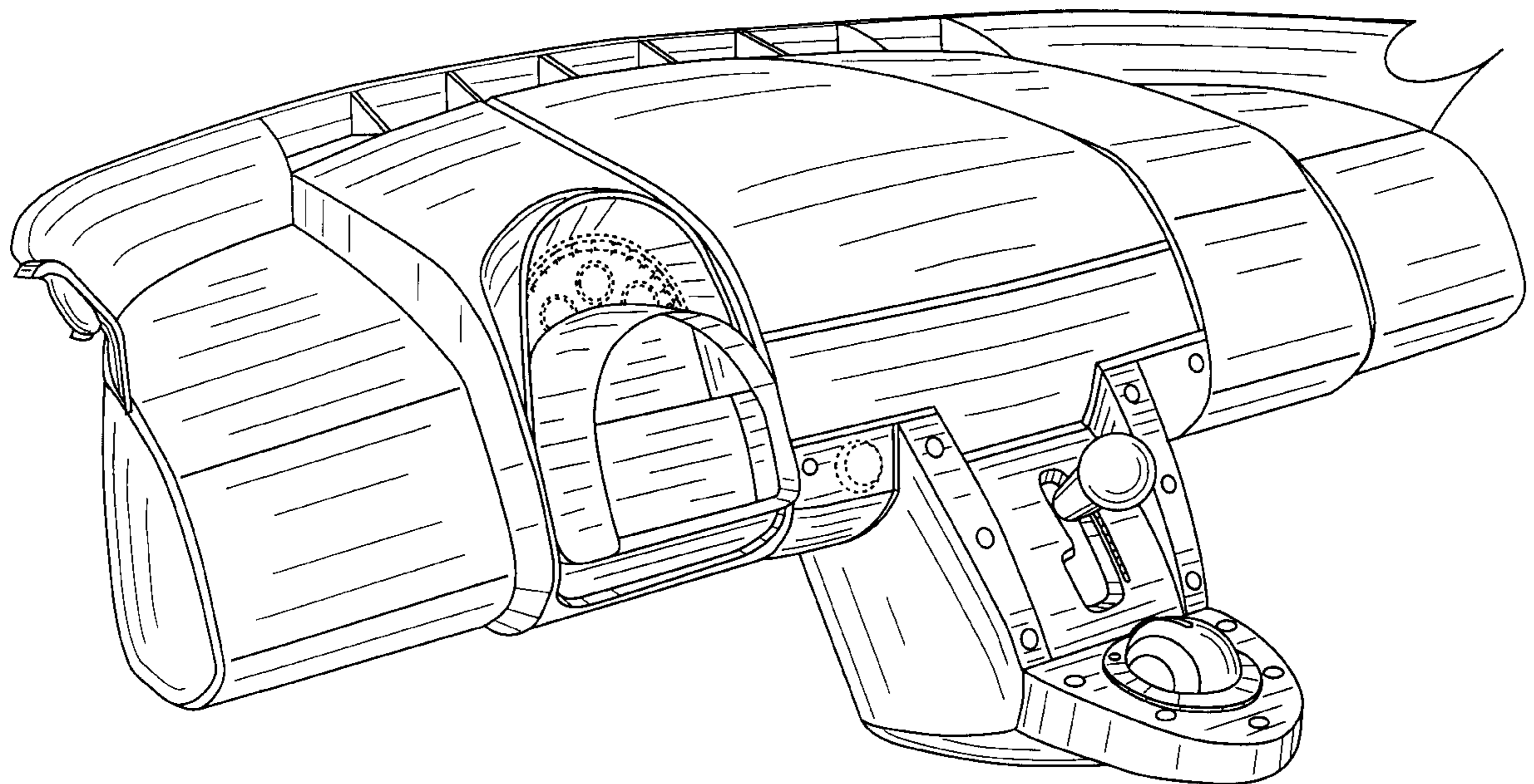
(57) **CLAIM**

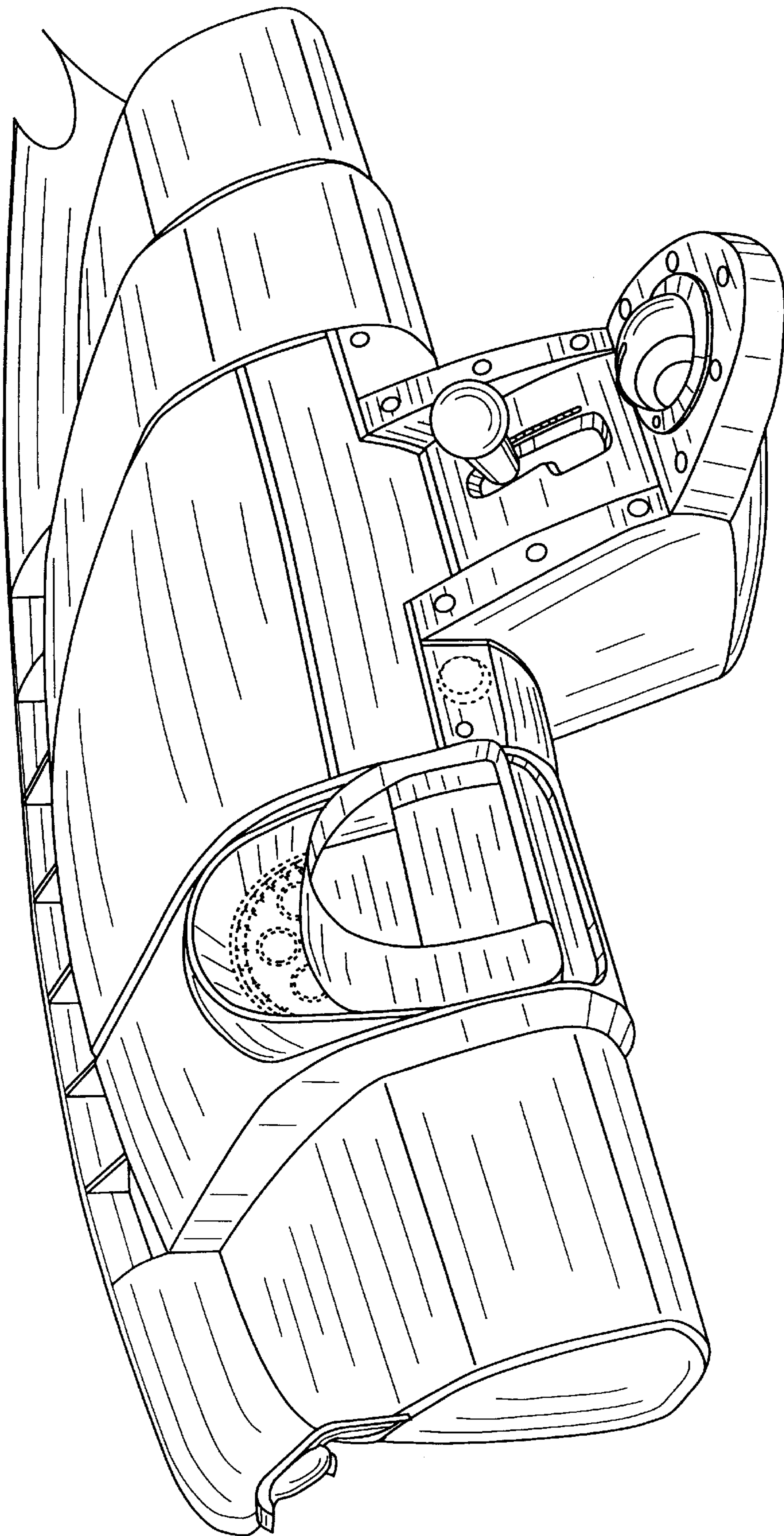
The ornamental design for an instrument panel for a vehicle, as shown and described.

**DESCRIPTION**

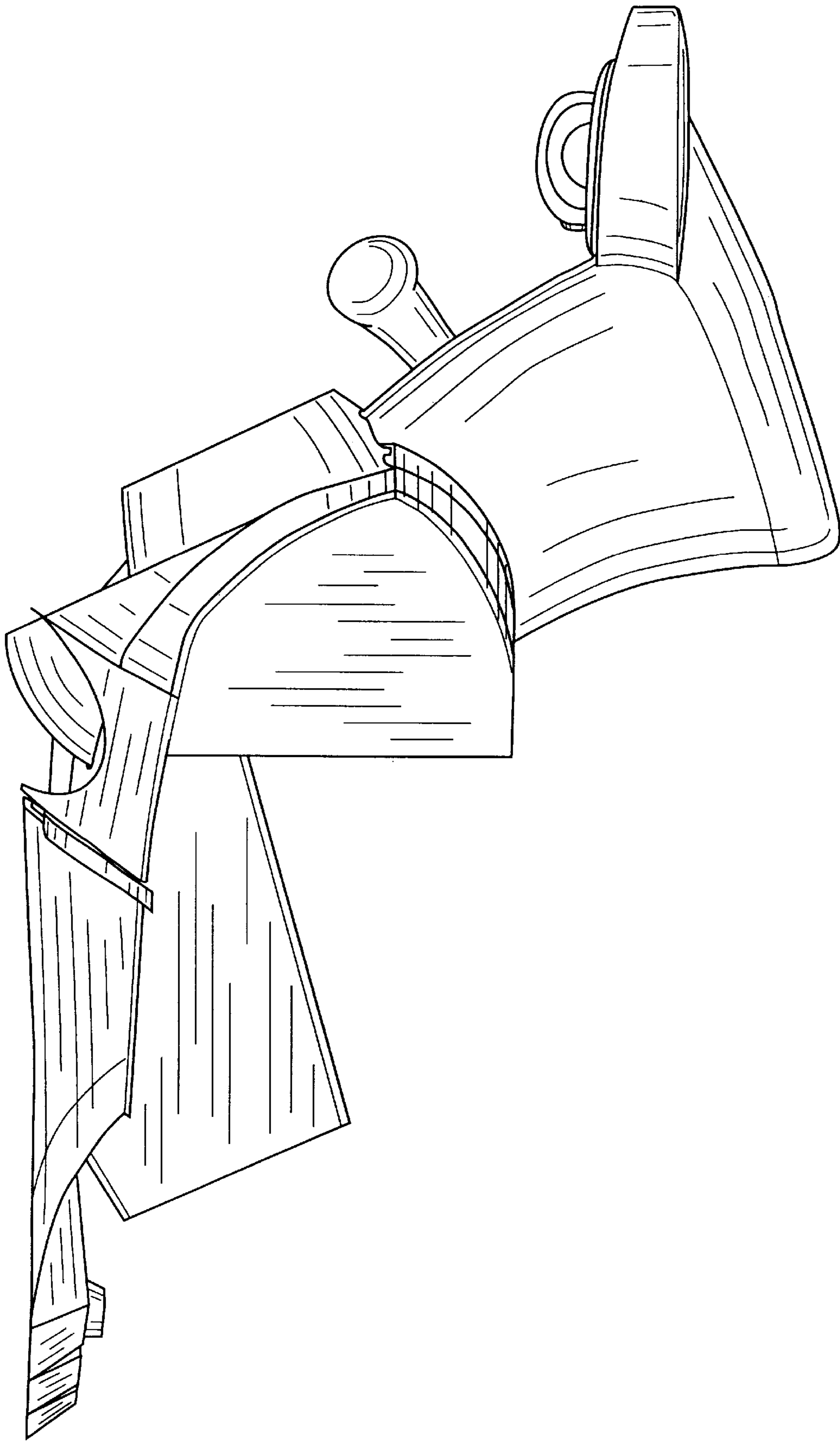
FIG. 1 is a front perspective view of an instrument panel for a vehicle;  
 FIG. 2 is a left side view thereof;  
 FIG. 3 is a right side view thereof;  
 FIG. 4 is a bottom view thereof;  
 FIG. 5 is a top plan view thereof; and,  
 FIG. 6 is a front elevational view thereof.  
 The broken lines showing of environmental structure in FIGS. 1, 5, and 6 are for illustrative purposes only and form no part of the claimed design.

**1 Claim, 6 Drawing Sheets**



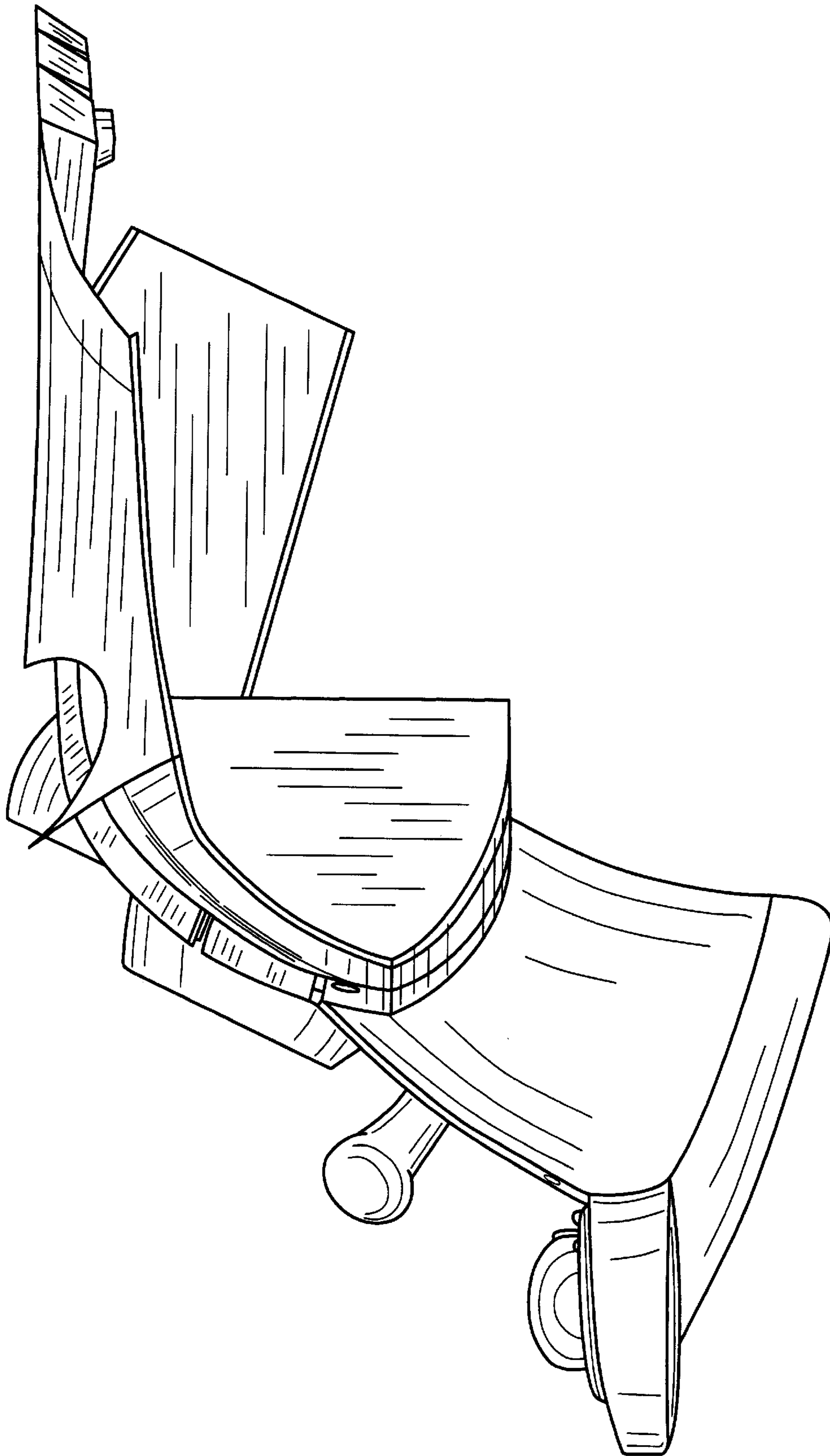


**FIG. 1**

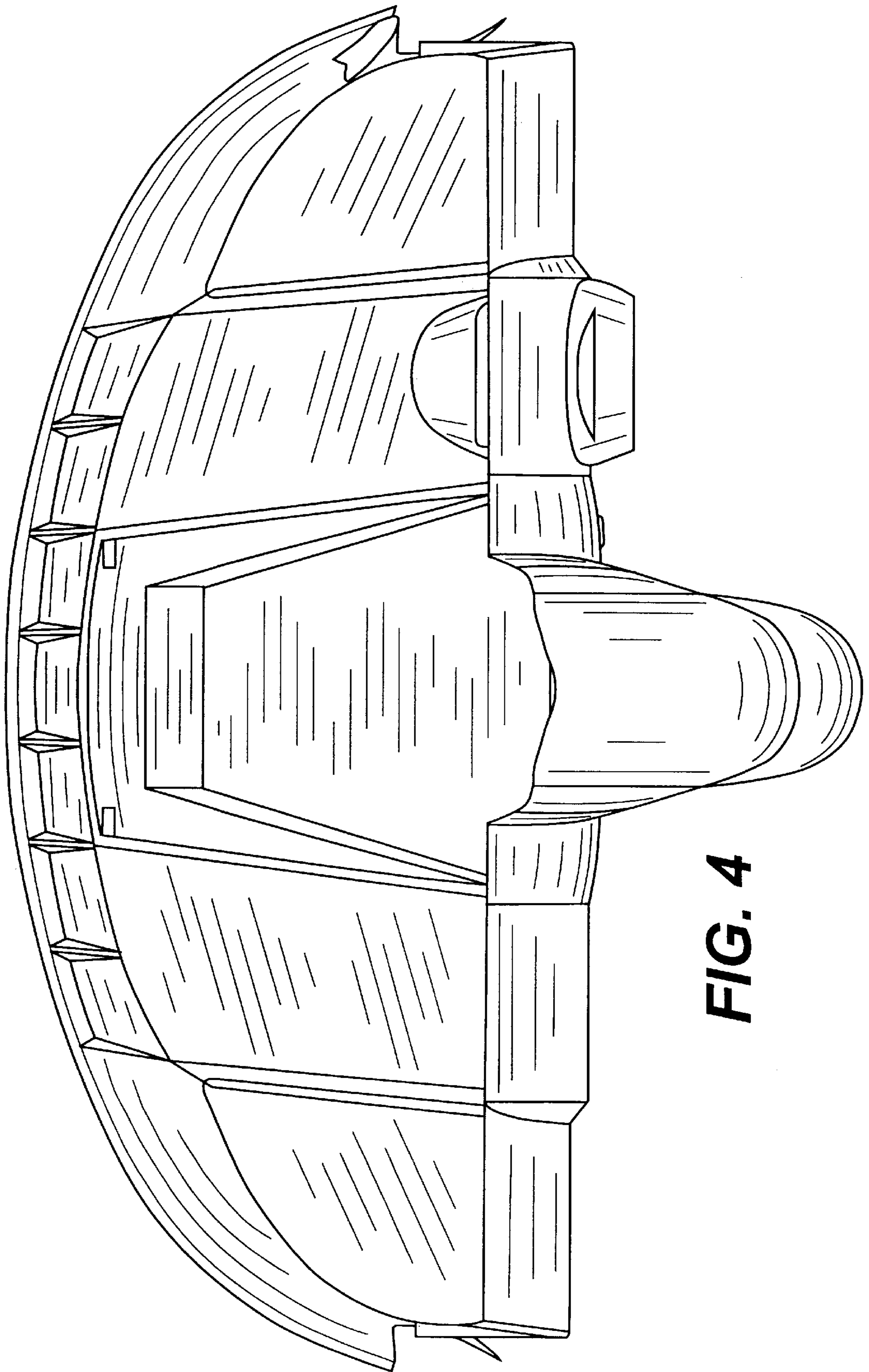


**FIG. 2**





**FIG. 3**



**FIG. 4**

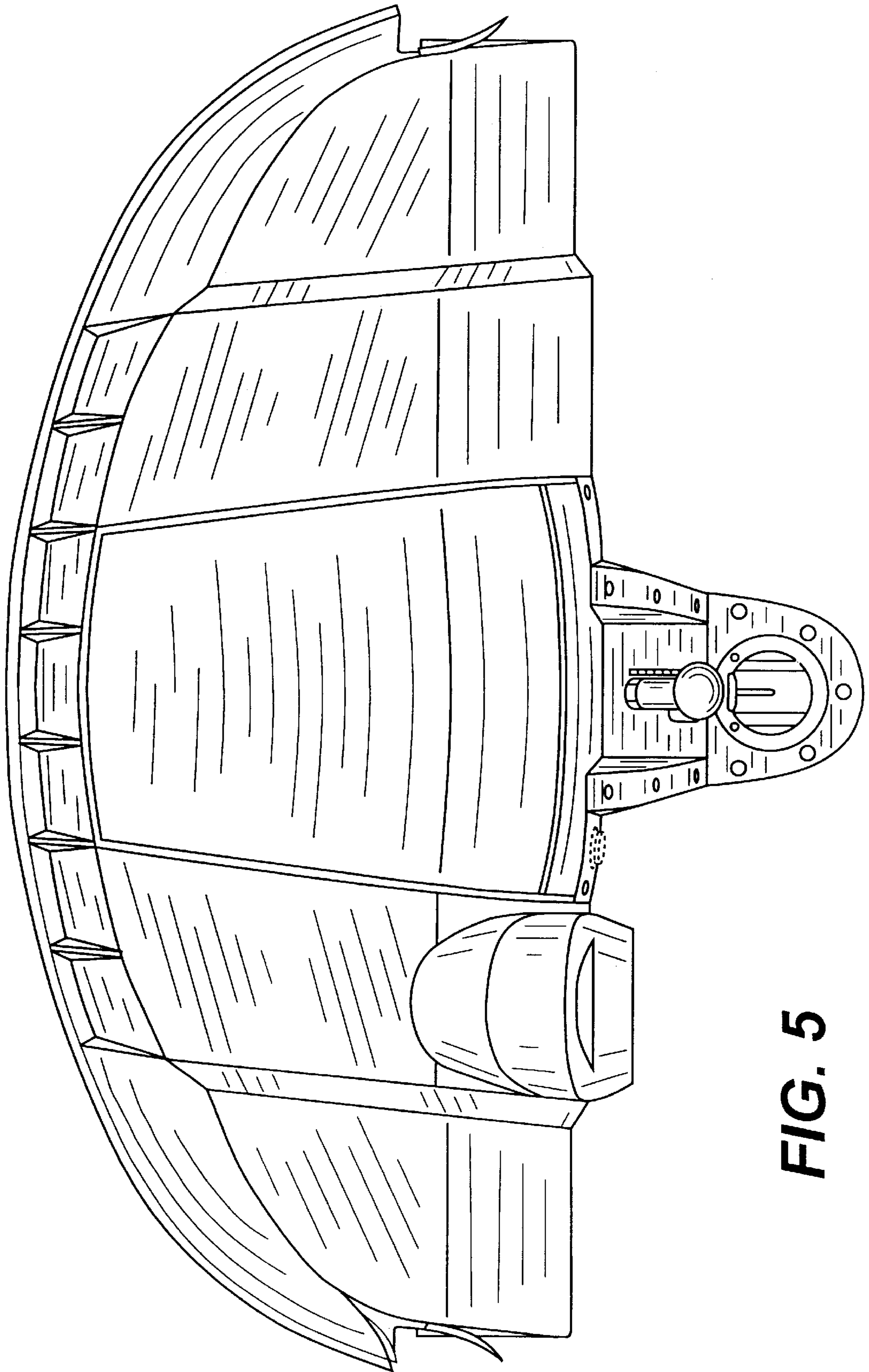
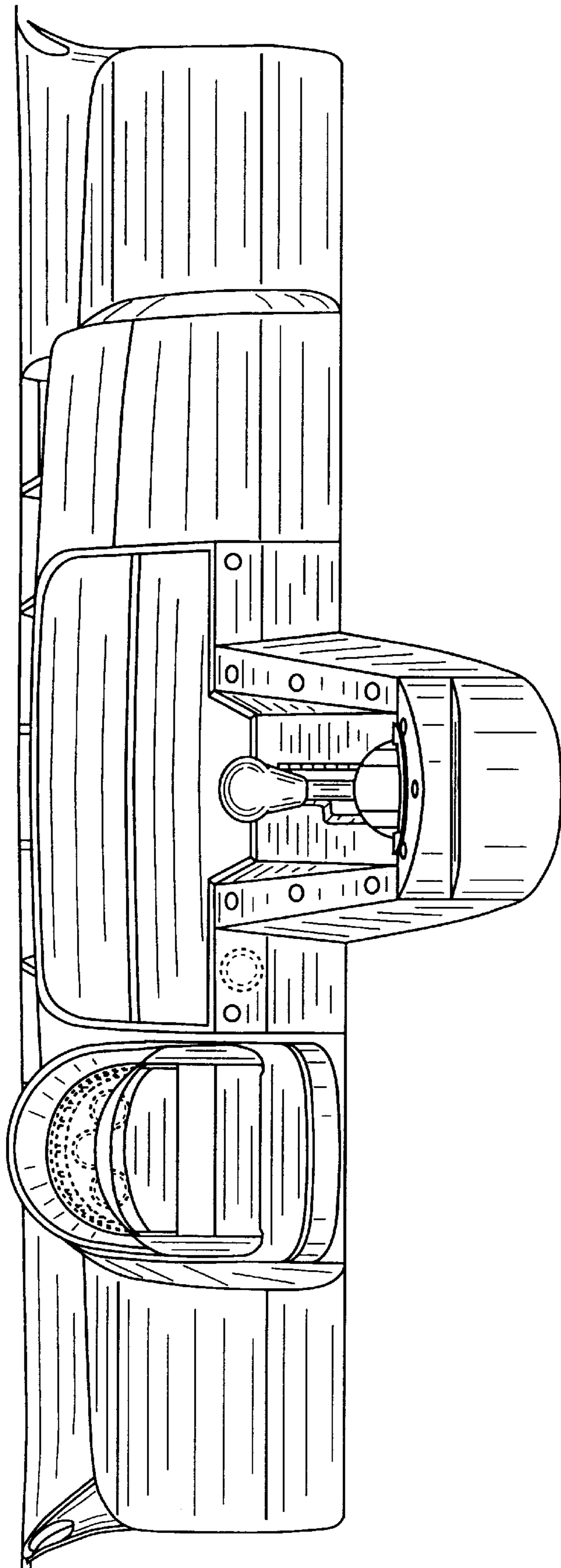


FIG. 5



**FIG. 6**